

OUTDOORS



SYSTEMS FOR CANOPIES
WITH STRUCTURAL
PROFILES



LA PENSILINA
Page 26



LUMIA
Page 38

SYSTEM FOR CANOPIES
WITH TIE ROADS



CANOPY LIGHT
Page 66



GLASS CANOPY
Page 74

SYSTEMS FOR
SLIDING DOORS



ATRIVANT
Page 94

CLAMPS



POOL
Page 110

SYSTEMS FOR
FACADES



FLUIDO SERIES SPIDERS
Page 112



SP SERIES SPIDERS
Page 120

LOGLI CANOPIES

Our systems for canopies offer solutions to suit all requirements, whilst always delivering high strength performance.

Choose from the elegance of a load-bearing profile or the technology of exposed tie-rods: with Logli systems there are so many possibilities, all supported by technical files.

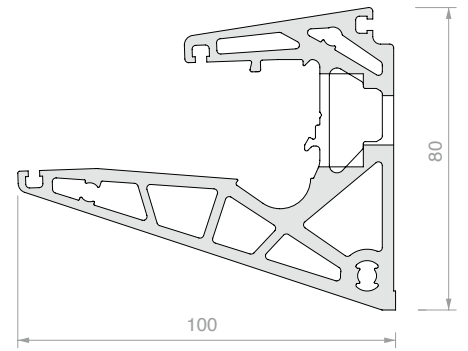
Logli combines the comfort of a canopy with the beauty of glass and the safety of a tested product.





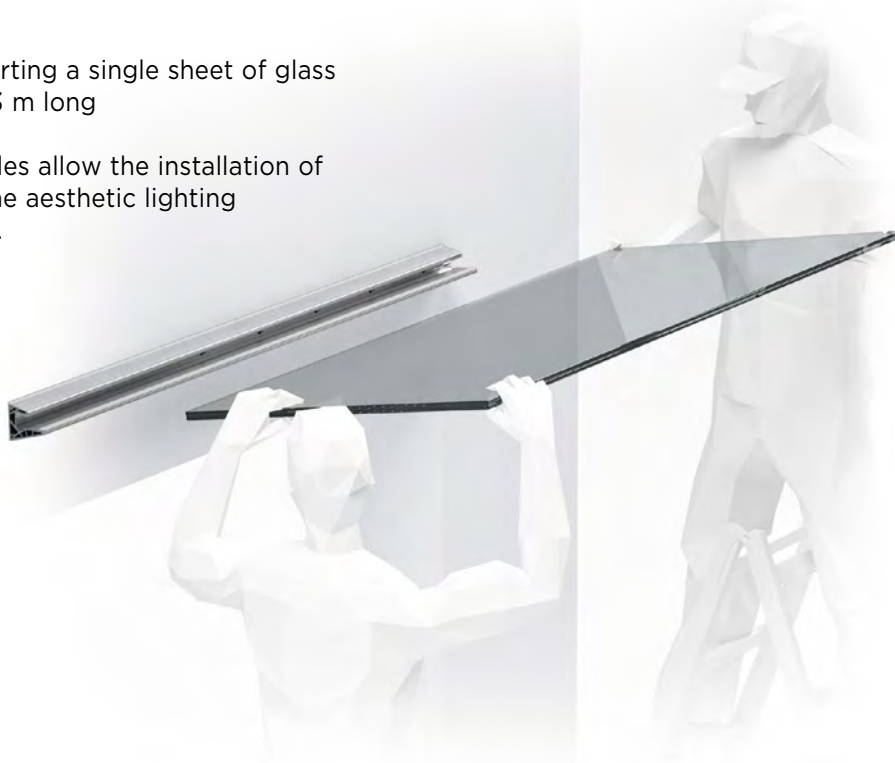
LA PENSILINA

- Overhang up to 1.2 metres
- For 8+8 mm glass
- Installation without holes in the glass
- Option to insert a shear pin



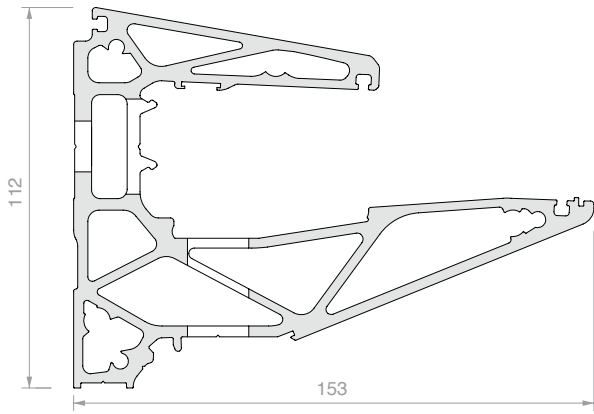
Designed for inserting a single sheet of glass in profiles up to 3 m long

La Pensilina profiles allow the installation of LED stripes for the aesthetic lighting of the glass pane.



EasySpeed clamping allows a quick and easy installation





LUMIA

- Overhang up to 1.5 metres
- For 8+8 mm and 10+10 mm glass
- Installation without holes in the glass
- Option to insert a shear pin

With Lumia, you can install both glass and straight profiles and have corner configurations.

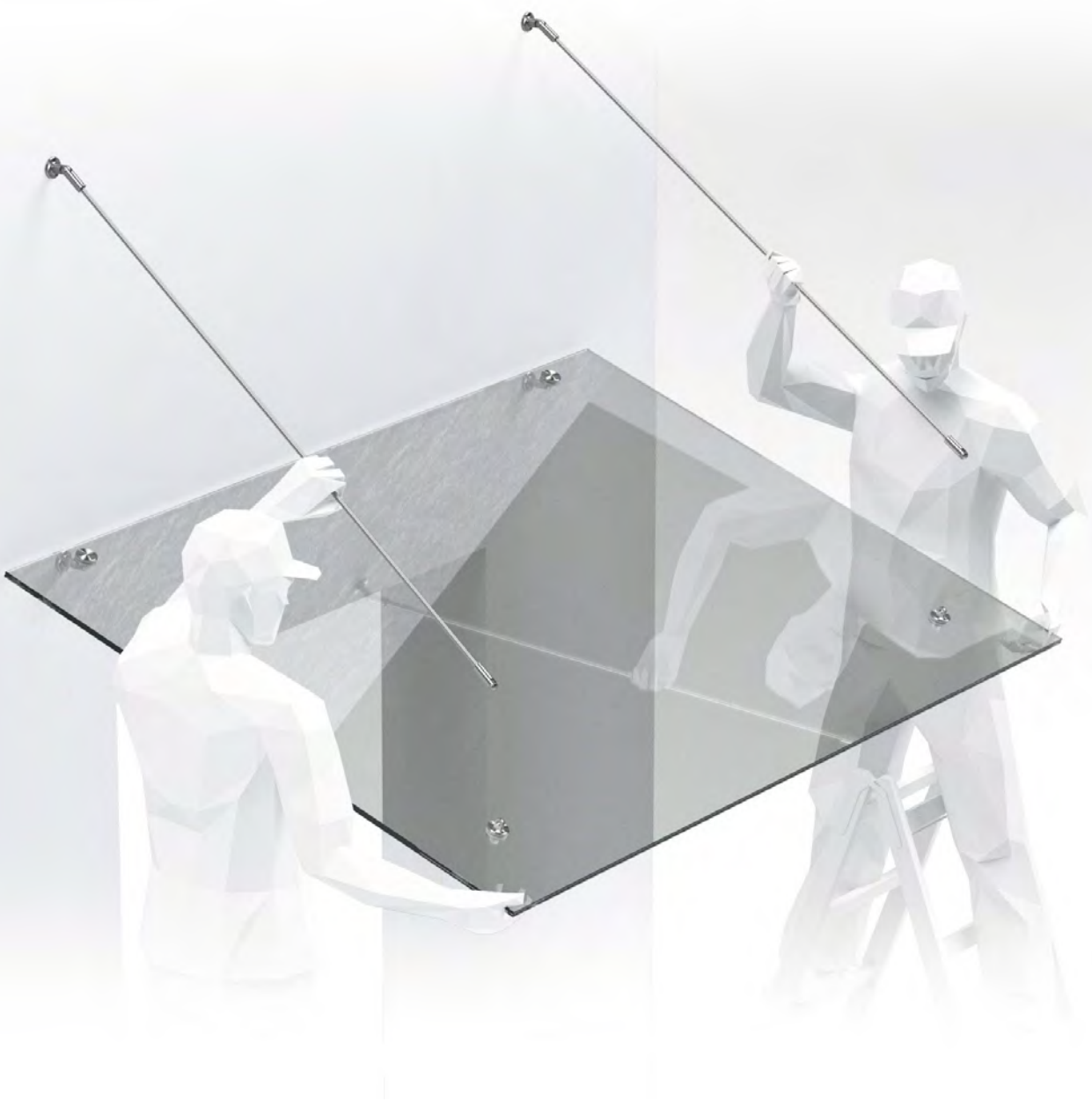
You can also insert LED strips for functional lighting of the spaces below the canopy thanks to the dedicated cover.



CANOPY LIGHT

- Overhang up to 1.5 metres
- Dimensions for small components
- For glass from 5+5 mm to 8+8 mm
- Our customer care service develops technical drawings on each order and offers its support for the realization of the required canopy

The “Canopy Light” tie rods system is designed to minimise the overall dimensions of the fastenings and the installation time

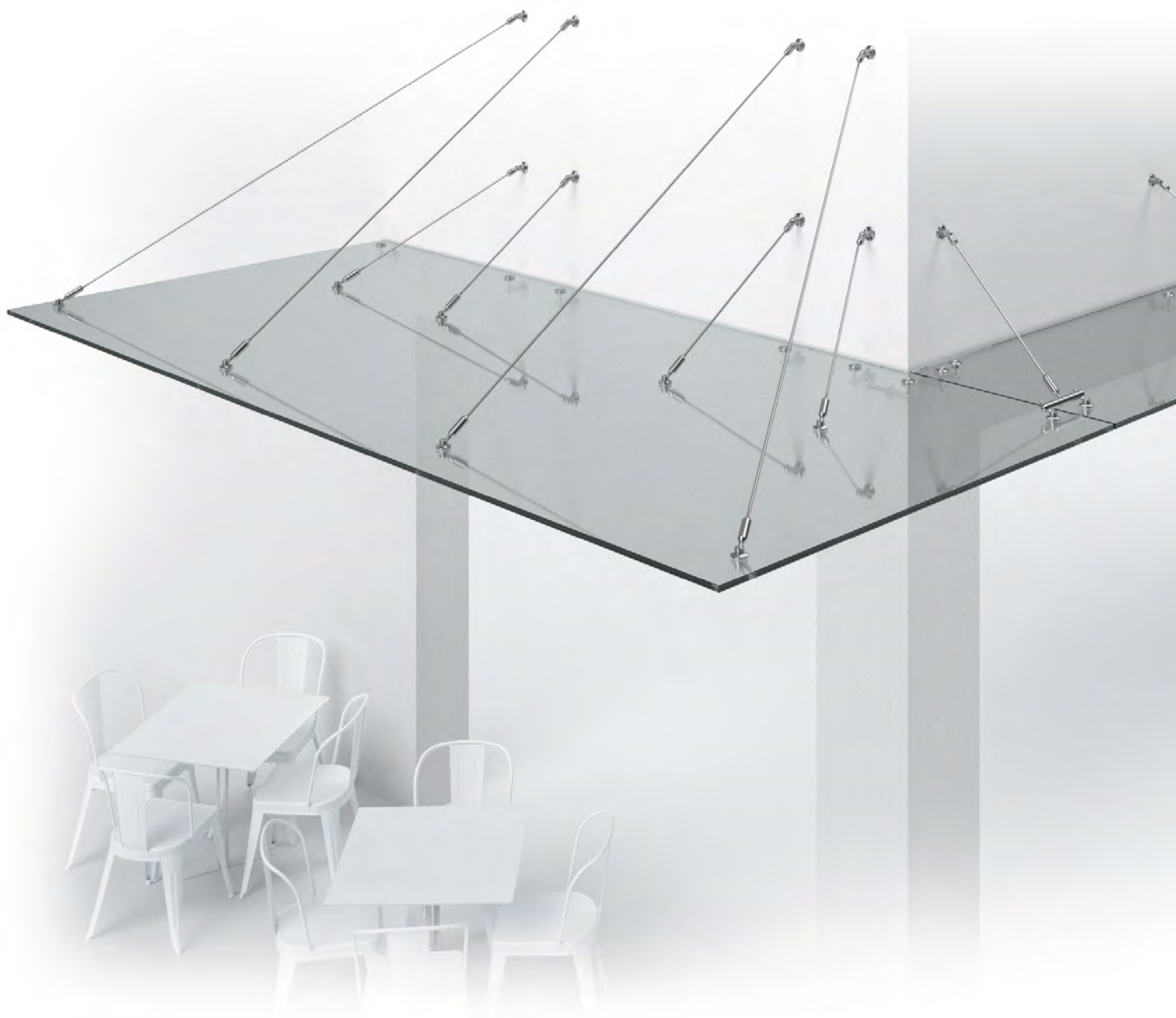


GLASS CANOPY

- Overhang up to 2 metres with only one row of tie rods
- In-line installation possible using shared tie rods, versatile and customisable system
- For 10+10 mm and 12+12 mm glass

Our customer care service develops technical drawings on each order and offers its support for the realization of the required canopy

The "Glass Canopy" model is completely customizable, offering the opportunity to realize all the solutions you need



La Pensilina

Light balance

La Pensilina is defined by balanced proportions and minimalist forms, giving a clean and bright look to outdoor spaces.





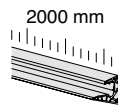
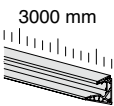
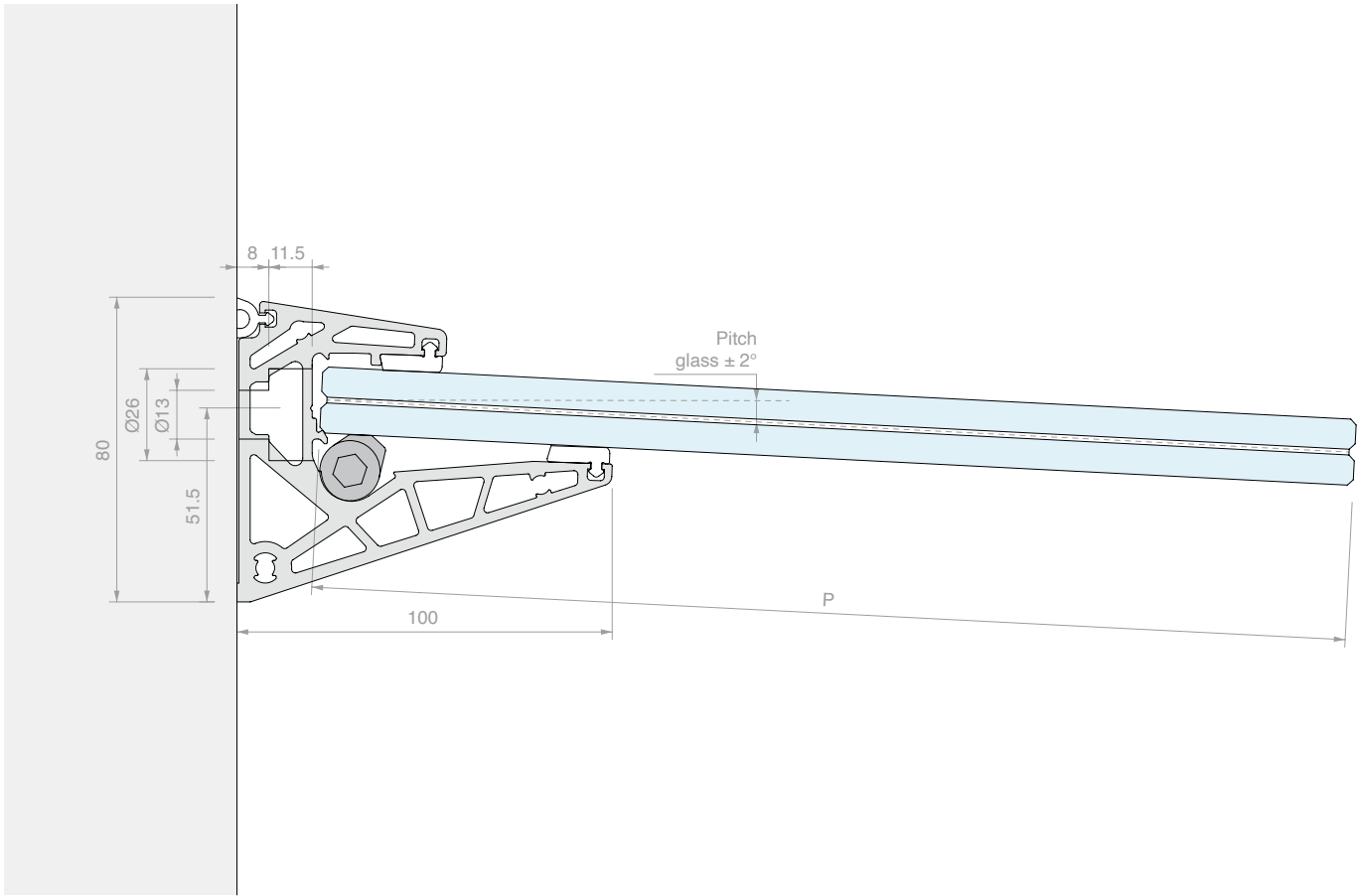
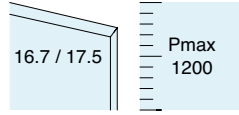


LA PENSILINA KIT

FOR 8+8 MM GLASS

Material: Aluminium

Finish: /10 /88 /97 /RAL



Kit comprising:

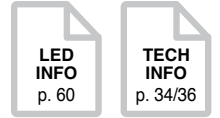
Art.	Description	Qty	
PENP30	Profile	1 Pc	
PENGRY	Glass fixing set	1 Pc	
PENG01	Flat gasket	6 m	
PENG03	Wall sealing gasket	3 m	
PENT01	2 finishing caps	1 Pc	

Kit comprising:

Art.	Description	Qty	
PENP20	Profile	1 Pc	
PENGRY	Glass fixing set	1 Pc	
PENG01	Flat gasket	4 m	
PENG03	Wall sealing gasket	2 m	
PENT01	2 finishing caps	1 Pc	

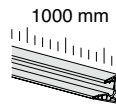
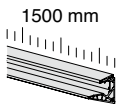
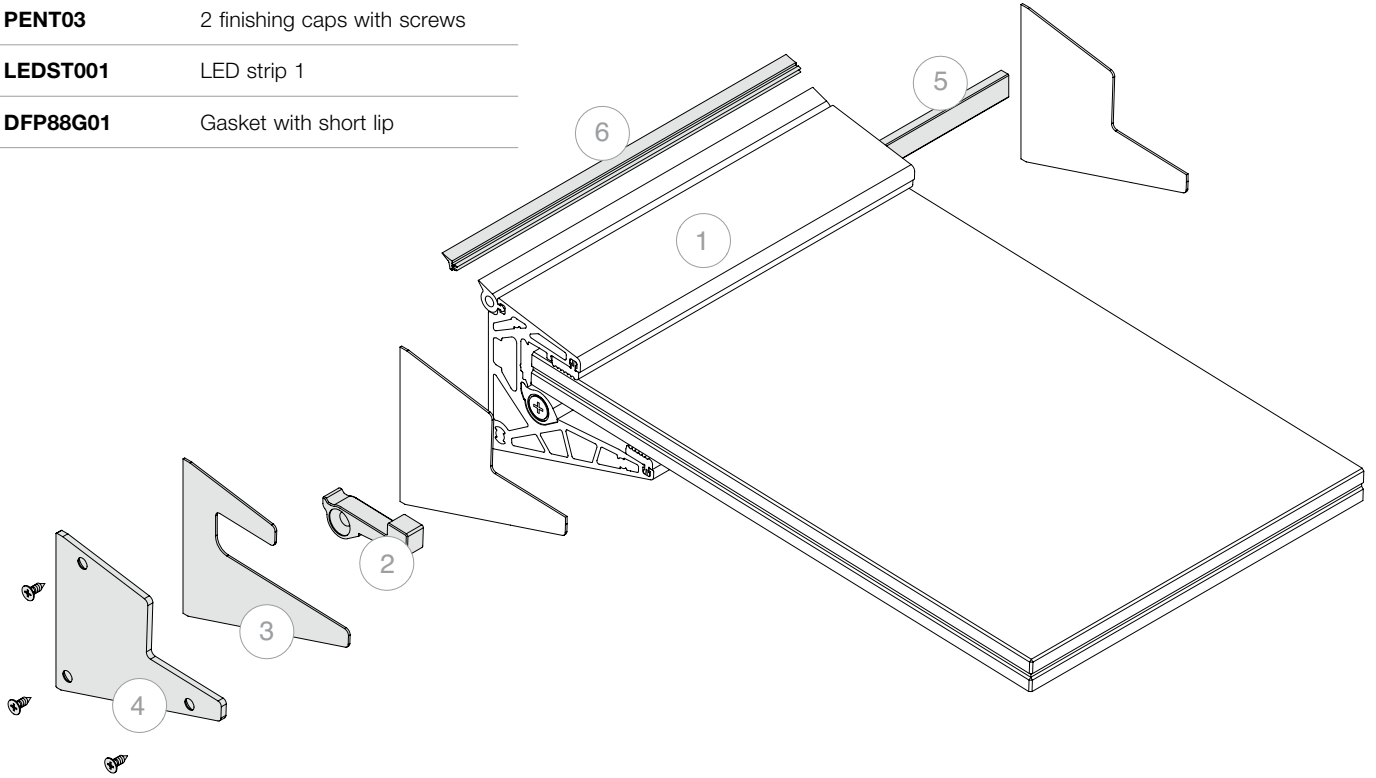
Art.	Length	Qty	Art.	Length	Qty
PENKIT30	3000 mm	1 Pc	PENKIT20	2000 mm	1 Pc

No. Art.
1 **PENKIT**



Optional:

No. Art.	Description
2 PENC01SIAEST	Shear pins
3 PENT05	2 open finishing caps
4 PENT03	2 finishing caps with screws
5 LEDST001	LED strip 1
6 DFP88G01	Gasket with short lip



Kit comprising:

Art.	Description	Qty	
PENP15	Profile	1 Pc	
PENGRY	Glass fixing set	1 Pc	
PENG01	Flat gasket	3 m	
PENG03	Wall sealing gasket	1.5 m	
PENT01	2 finishing caps	1 Pc	

Kit comprising:

Art.	Description	Qty	
PENP10	Profile	1 Pc	
PENGRY	Glass fixing set	1 Pc	
PENG01	Flat gasket	2 m	
PENG03	Wall sealing gasket	1 m	
PENT01	2 finishing caps	1 Pc	

Art.	Length	Qty	Art.	Length	Qty
PENKIT15	1500 mm	1 Pc	PENKIT10	1000 mm	1 Pc

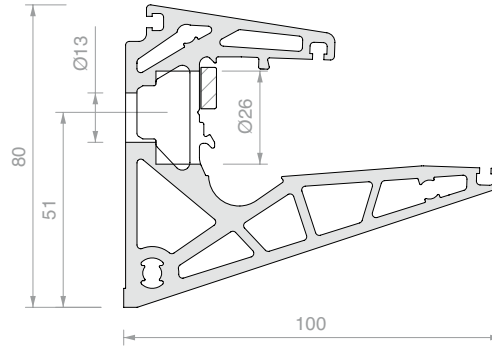
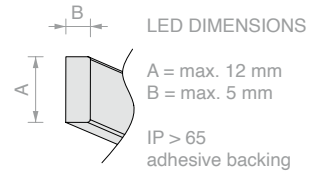




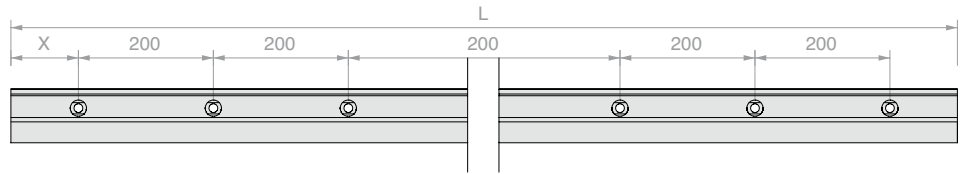
LA PENSILINA PROFILE

Material: Aluminium (6063 - T6)

Finish: /10 /88 /97 /RAL



DRILLING TEMPLATE



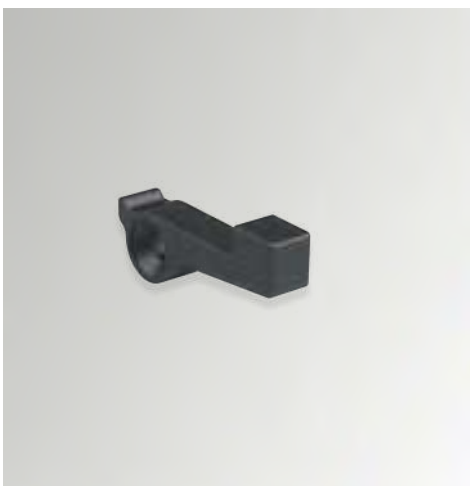
Art.	L	X	Qty
PENP10	1000 mm	100 ± 5 mm	1 Pc
PENP15	1500 mm	100 ± 5 mm	1 Pc
PENP20	2000 mm	100 ± 5 mm	1 Pc
PENP30	3000 mm	100 ± 5 mm	1 Pc



LA PENSILINA GLASS FIXING SET

Material: High strength polyamide, stainless steel

Art.	Description:	Qty
PENGRY	2 cams, shear pins and screws	1 Pc

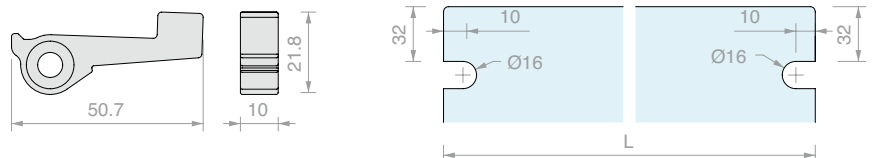
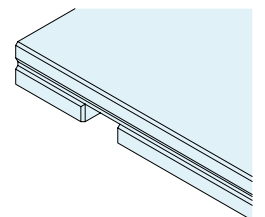


LA PENSILINA 2 SHEAR PINS

Material: High strength polyamide

Note: installation and functions on page 36

For these accessories, machining is required on the bottom pane of glass on the laminated panel.



Art.	Qty
PENC01SIAEST	1 Pc



WRENCH FOR LA PENSILINA LOCKING CAM

Material: Steel

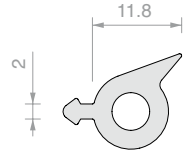


Art.	Qty
PENCH	1 Pc

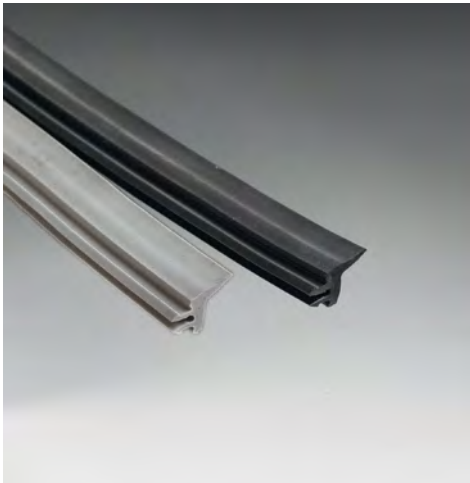


WALL SEALING GASKET

Material: TPE
Colour: grey

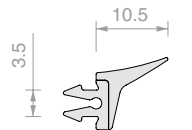


Art.	Package	Qty
PENG03		1 m
PENG03.60	60 m roll	1 Pc

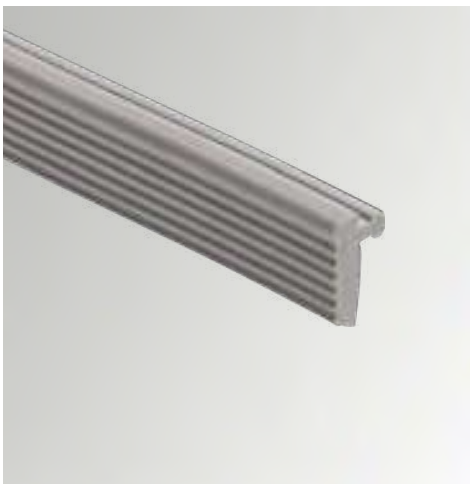


GASKET WITH SHORT LIP

Material: TPE
Finish: /6 /97

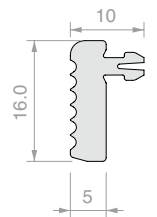


Art.	Package	Qty
DFP88G01		1 m
DFP88G01.03	3 m profile	1 Pc
DFP88G01.60	60 m roll	1 Pc



FLAT GASKET

Material: TPE
Colour: grey



Art.	Package	Qty
PENG01		1 m
PENG01.60	60 m roll	1 Pc

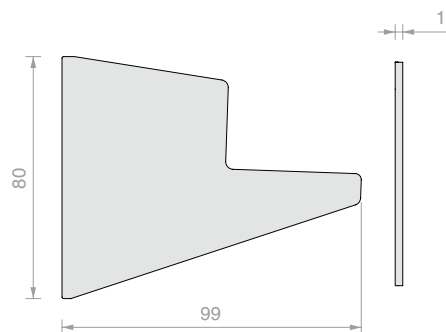


2 FINISHING CAPS

Material: Aluminium

Finish: /10 /88 /97 /RAL

Note: Install using silicone on the whole end of the cap



Art.
PENT01

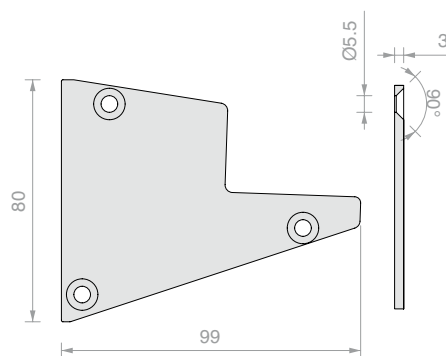
Qty
1 Pc



2 FINISHING CAPS WITH SCREWS

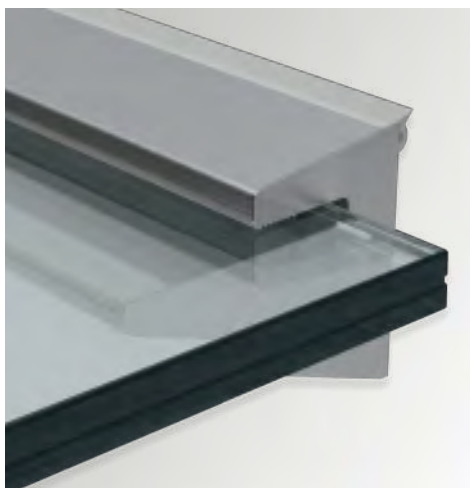
Material: Aluminium

Finish: /10 /88 /97 /RAL



Art.
PENT03

Qty
1 Pc

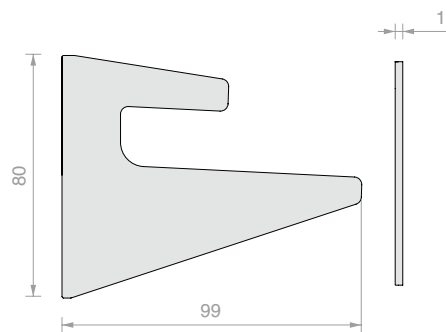


2 OPEN FINISHING CAPS

Material: Aluminium

Finish: /10 /88 /97 /RAL

Note: Install using silicone on the whole end of the cap



Art.
PENT05

Qty
1 Pc



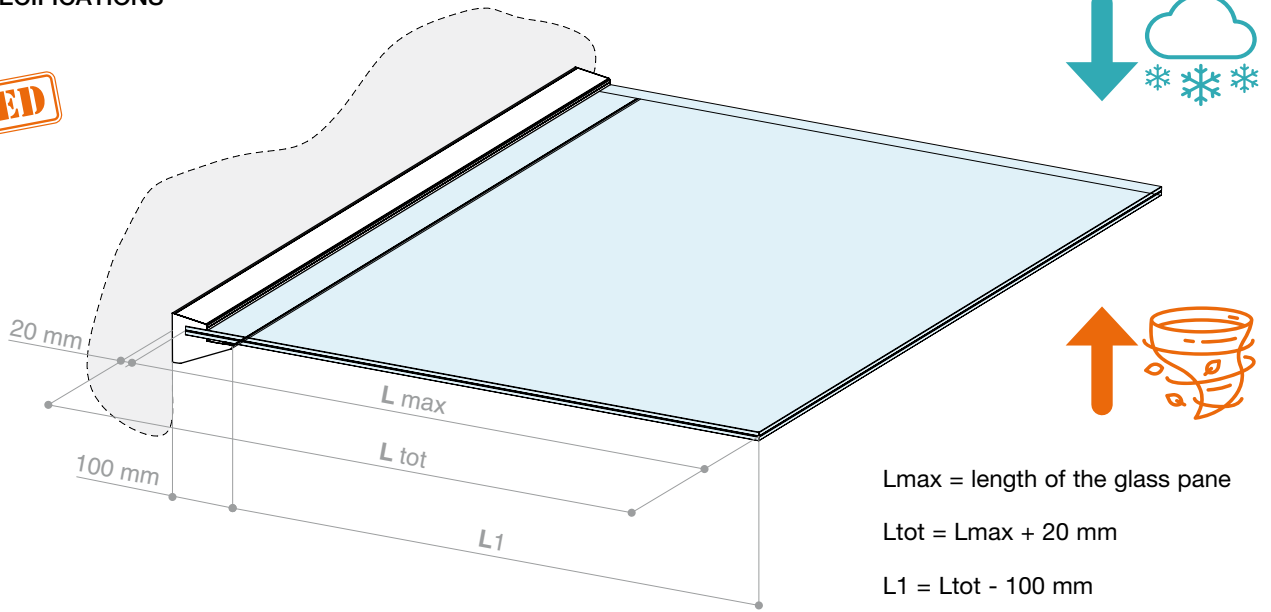
LINEAR CUT ON PEN/PENL PROFILES

Art.
PENTAGLIO

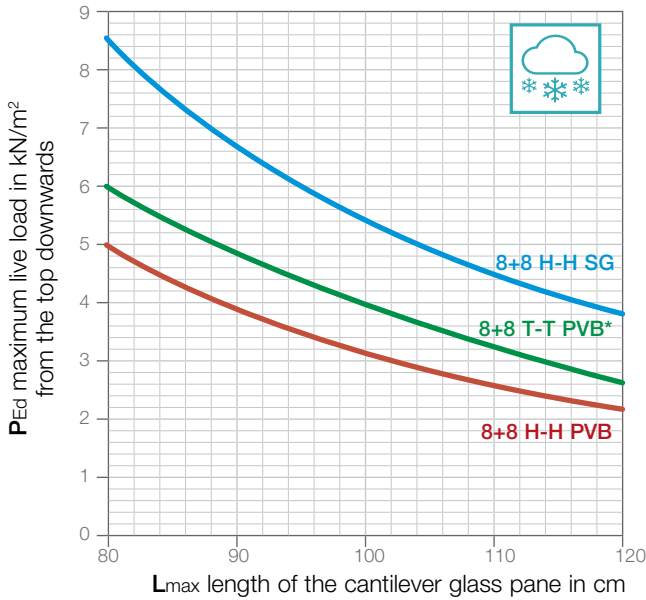
Qty
1 Pc

TECHNICAL SPECIFICATIONS

PATENTED



CANTILEVER SNOW LOAD PERFORMANCE



L_{max} [cm]	P_{Ed} [kN/m^2]		
	8+8 H-H PVB	8+8 T-T PVB*	8+8 H-H SG
80	4.95	5.96	8.55
85	4.38	5.28	7.57
90	3.91	4.71	6.76
95	3.51	4.23	6.06
100	3.17	3.82	5.47
105	2.87	3.46	4.96
109	2.62	3.15	4.52
115	2.4	2.89	4.14
120	2.2	2.65	3.8

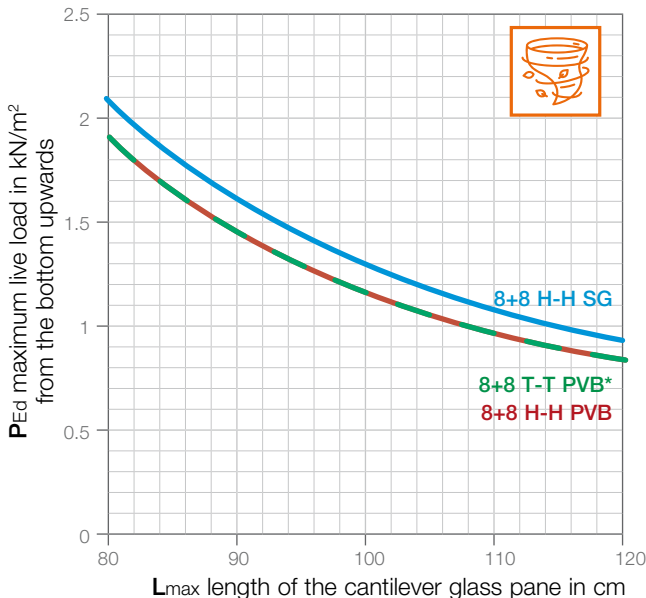
*for the properties of the glass pane, it is designed for installation providing that a minimum overhead clearance over the space below is observed.

The maximum design load P_{Ed} refers to the sum of all variable loads acting downwards, including the associated safety and combination coefficients. The weight of the glass pane itself is always taken into account and does not need to be added. The results are shown for hardened laminated glass EN 1863 or tempered glass EN 12150 with traditional PVB or rigid SentryGlas® interlayer. The configurations of the glass and interlayers are provided as examples only and are not exhaustive of all installation options: indeed, there are numerous alternative solutions known and in use on the market which have equal or potentially better performance levels in many important technical aspects (e.g. resistance to de-lamination, post-rupture behaviour, stability versus temperature variations, etc.).

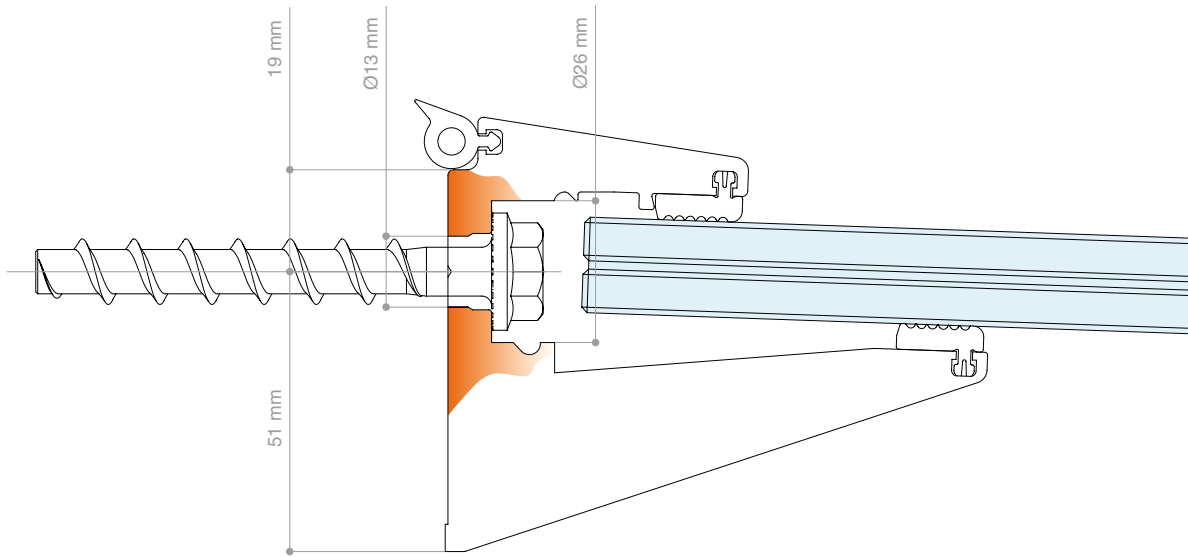
Note: the final assessment of the compliance of the system with the safety requirements remains a matter for the qualified engineer to assess, who will be able to verify the applicability of the data provided for the actual installation conditions, the conformity of the system for fastening to the load-bearing structure and the system's compliance with global safety requirements and those specific to the installation site (loads, support properties, exceptional loads, etc.). Detailed information about the design of the system is available online on our website or can be requested by contacting the Logli Saint-Gobain customer care technical department.

SentryGlas® is a registered trademark of Kuraray America, Inc. Trademarks may not be applied for or registered in all countries.

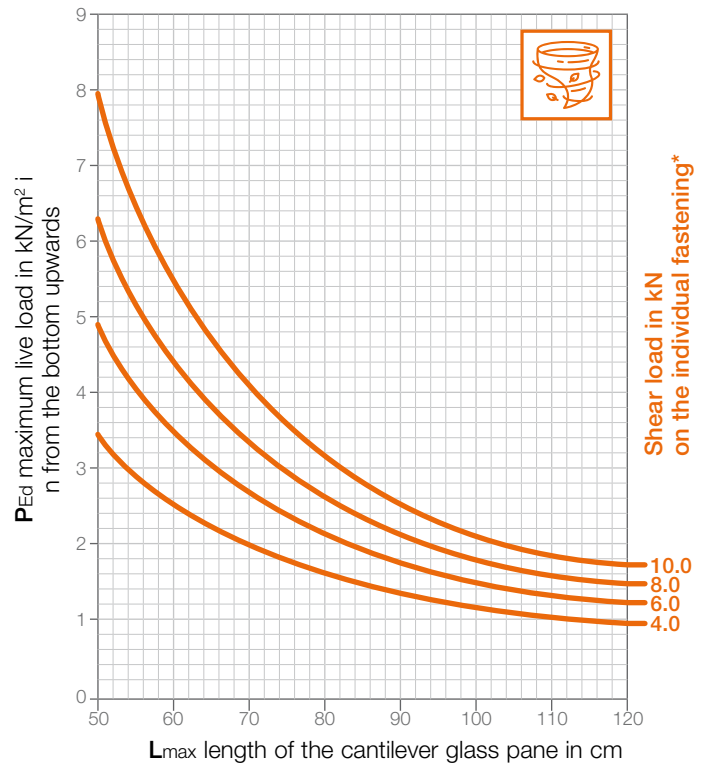
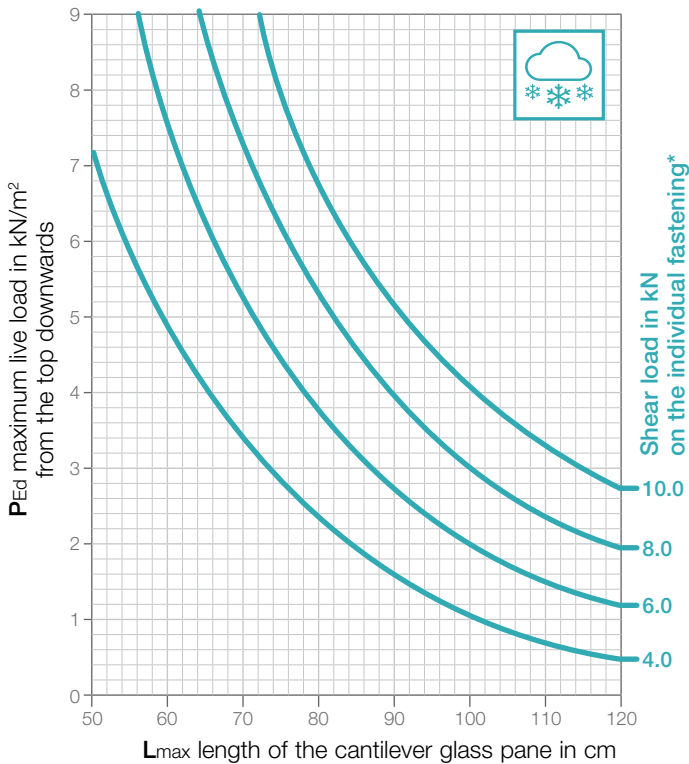
CANTILEVER GLASS SUPPORT CURVE



CONNECTION TO THE STRUCTURE



CHARTS FOR PRELIMINARY DESIGN OF THE FASTENING SYSTEMS

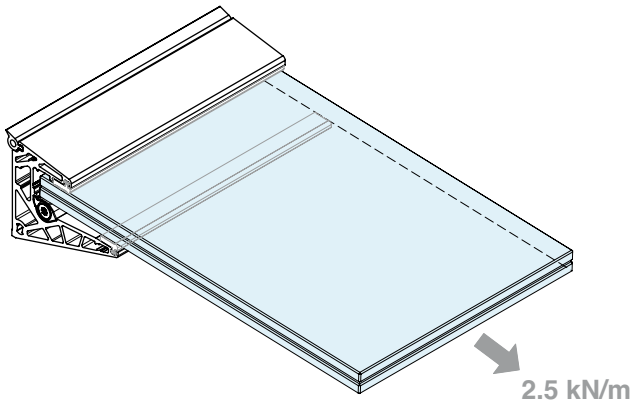


*The shear load on the individual fixing point is to be considered for the purposes of identifying the most suitable type of fastening for the structure. The values shown are based on a standard spacing of fixings of 200 mm (corresponding to installing a fastening in each hole). The reference to the design load P_{Ed} shown already includes the weight of the glass panes. Charts considering the shear force on the fastenings are not shown, as these are not a dimensioning factor in the majority of cases.

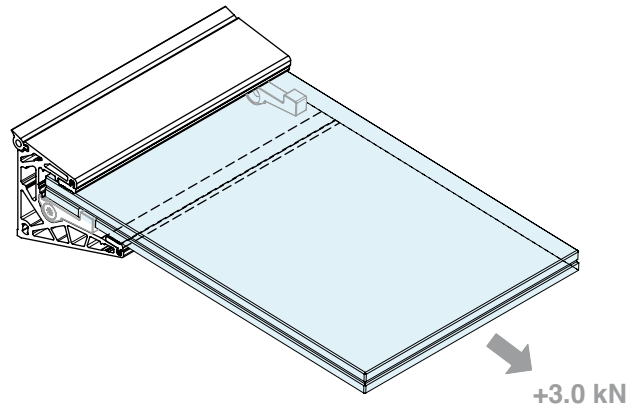
Note: the verification of the most suitable types of fastenings for the structure as well as their spacing in relation to the actual design loads remains a matter for the qualified engineer to assess, who will be able to verify the applicability of the data provided for the actual installation conditions (loads acting on the system, support properties, etc.). For installations in buildings which feature thermal insulation with low structural properties, it is recommended to pay the utmost attention to the creation of substructures with suitable properties to distribute and transmit the loads from the system.

SHEAR PINS (OPTIONAL)

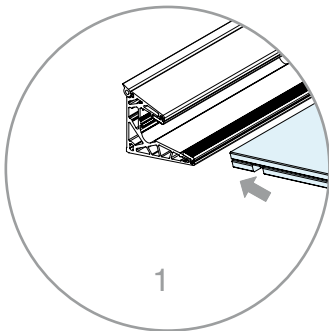
ADDITIONAL AND OPTIONAL SECURING SYSTEM, REQUIRES MACHINING ON THE BOTTOM PANE OF THE LAMINATED GLASS



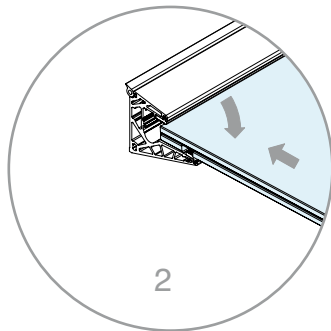
Standard kit



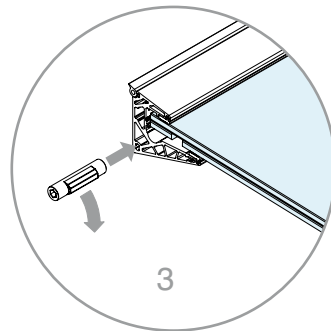
addition of 2 shear pins (optional)



1

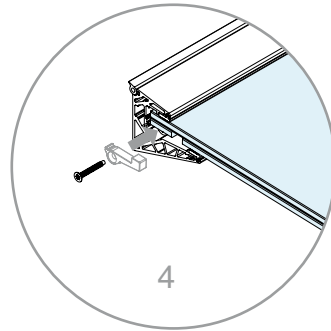


2

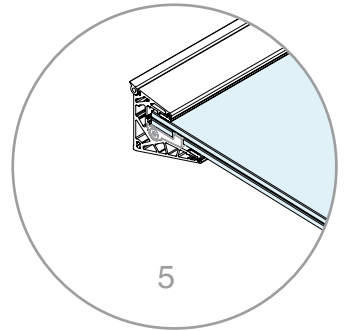


3

1 - 2 - 3 Installation of glass fixing cams

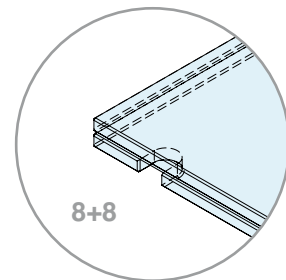
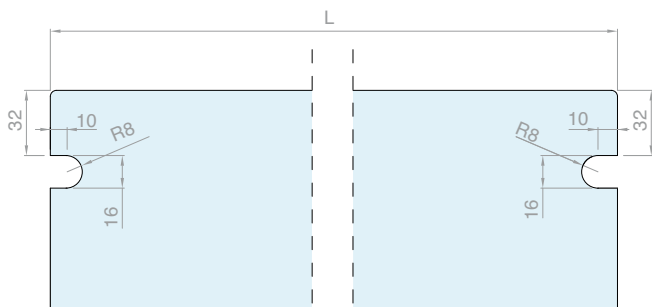


4



5

4 - 5 Installation of shear pin



8+8

Note: Only the lower pane of the laminated glass should be machined.

The pull-out resistance of the glass panes from the system has been assessed in texts in accordance with EAD 220025-00-0401:2016 Annex B for BR.4 "Safety and accessibility in use". The pull-out resistance test has been carried out for installations with and without shear pins. The values shown already include the safety coefficient, applied to the specific resistance values obtained in the testing phase.



Lumia

Midnight lights

Lumia offers versatile solutions, suitable for individual or continuous installations, giving the option of creating both decorative and functional lighting effects making your spaces more pleasant.





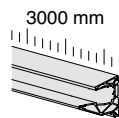
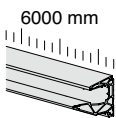
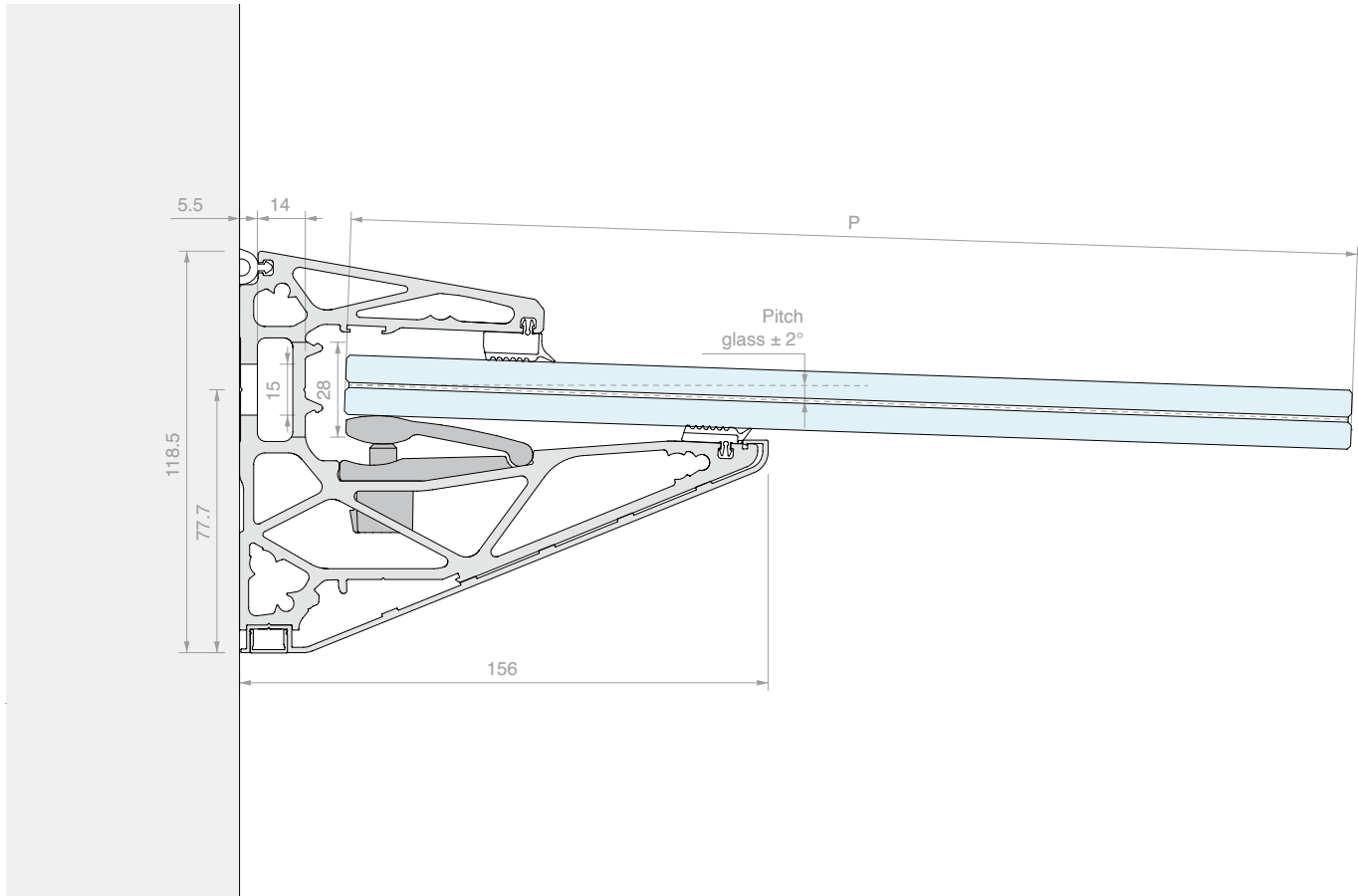
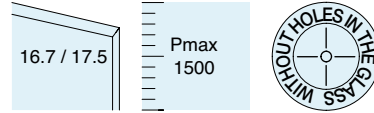
KIT LUMIA - 88

FOR 8+8 MM GLASS

WITH INCLINED BOTTOM COVER

Material: Aluminium

Finish: /10 /88 /97 /RAL



Kit comprising:

Art.	Description	Qty
PENL.60	Profile	1 Pc
PENLCOV03.60	Inclined bottom cover	1 Pc
LMU11.30	Bottom screw cover	2 Pcs
PENLVIT	Self-drilling screw	10 Pcs
PENLGRYKIT5	Glass fixing set	6 Pcs
DFPG03.03	Flat gasket	2 Pcs
DFPG82.03	Oversized flat gasket	2 Pcs
PENG03	Wall sealing gasket	6 m

Kit comprising:

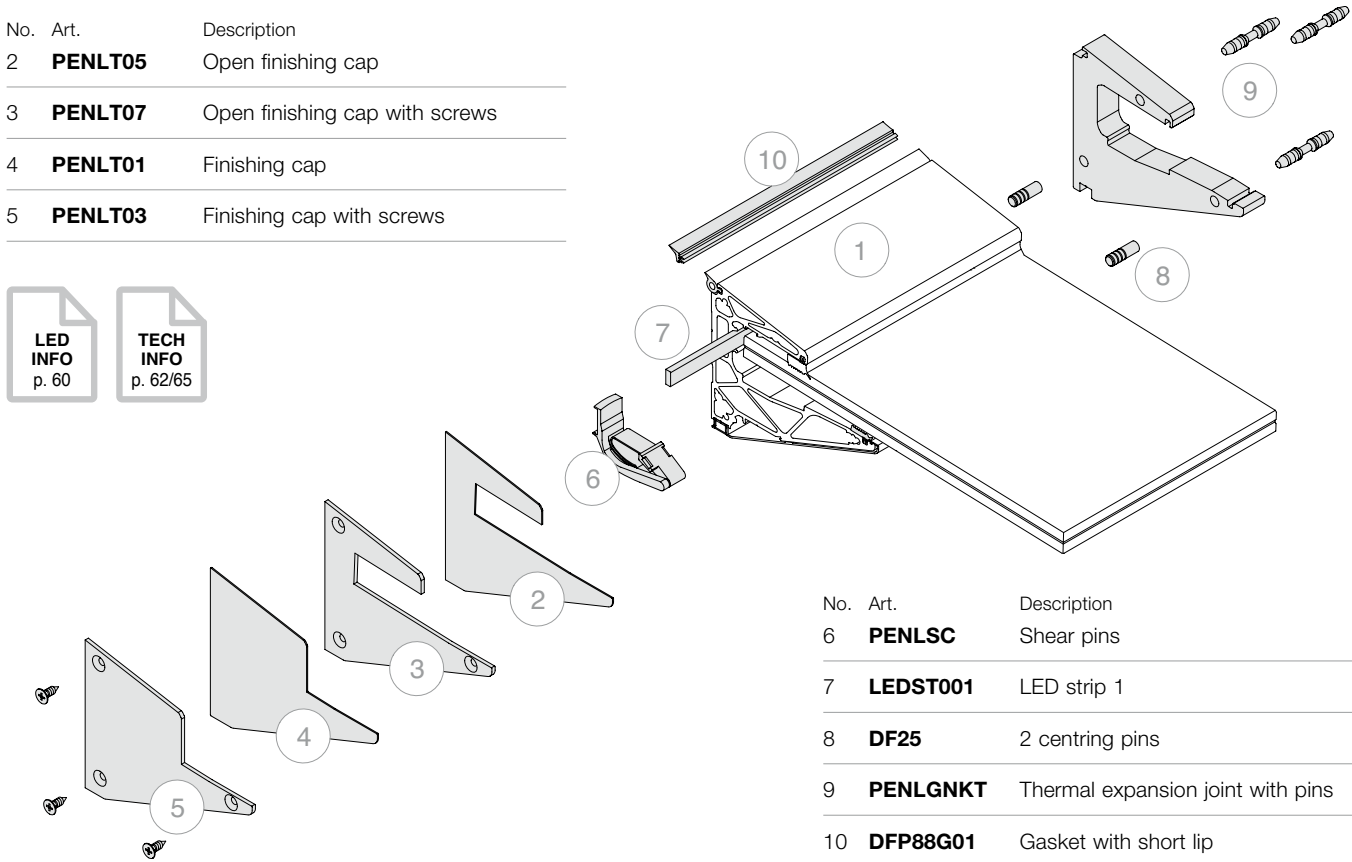
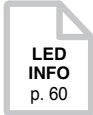
Art.	Description	Qty
PENL.30	Profile	1 Pc
PENLCOV03.30	Inclined bottom cover	1 Pc
LMU11.30	Bottom screw cover	1 Pc
PENLVIT	Self-drilling screw	6 Pcs
PENLGRYKIT5	Glass fixing set	3 Pcs
DFPG03.03	Flat gasket	1 Pc
DFPG82.03	Oversized flat gasket	1 Pc
PENG03	Wall sealing gasket	3 m

Art.	Length	Qty	Art.	Length	Qty
PENLKIT88.60	6000 mm	1 Pc	PENLKIT88.30	3000 mm	1 Pc

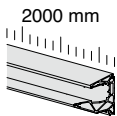
No. Art.
1 **PENLKIT88**

Optional:

No. Art.	Description
2 PENLT05	Open finishing cap
3 PENLT07	Open finishing cap with screws
4 PENLT01	Finishing cap
5 PENLT03	Finishing cap with screws

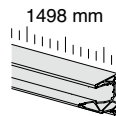


No. Art.	Description
6 PENLSC	Shear pins
7 LEDST001	LED strip 1
8 DF25	2 centring pins
9 PENLGNKT	Thermal expansion joint with pins
10 DFP88G01	Gasket with short lip



Kit comprising:

Art.	Description	Qty
PENL.20	Profile	1 Pc
PENLCOV03.20	Inclined bottom cover	1 Pc
LMU11.20	Bottom screw cover	1 Pc
PENLVIT	Self-drilling screw	4 Pcs
PENLGRYKIT5	Glass fixing set	2 Pcs
DFPG03	Flat gasket	2 m
DFPG82	Oversized flat gasket	2 m
PENG03	Wall sealing gasket	2 m



Kit comprising:

Art.	Description	Qty
PENL.15	Profile	1 Pc
PENLCOV03.15	Inclined bottom cover	1 Pc
LMU11.15	Bottom screw cover	1 Pc
PENLVIT	Self-drilling screw	3 Pcs
PENLGRY	Clamp for glass fixing	7 Pcs
DFPG03	Flat gasket	1.5 m
DFPG82	Oversized flat gasket	1.5 m
PENG03	Wall sealing gasket	1.5 m

Art.	Length	Qty	Art.	Length	Qty
PENLKIT88.20	2000 mm	1 Pc	PENLKIT88.15	1498 mm	1 Pc

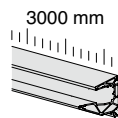
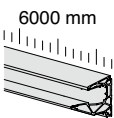
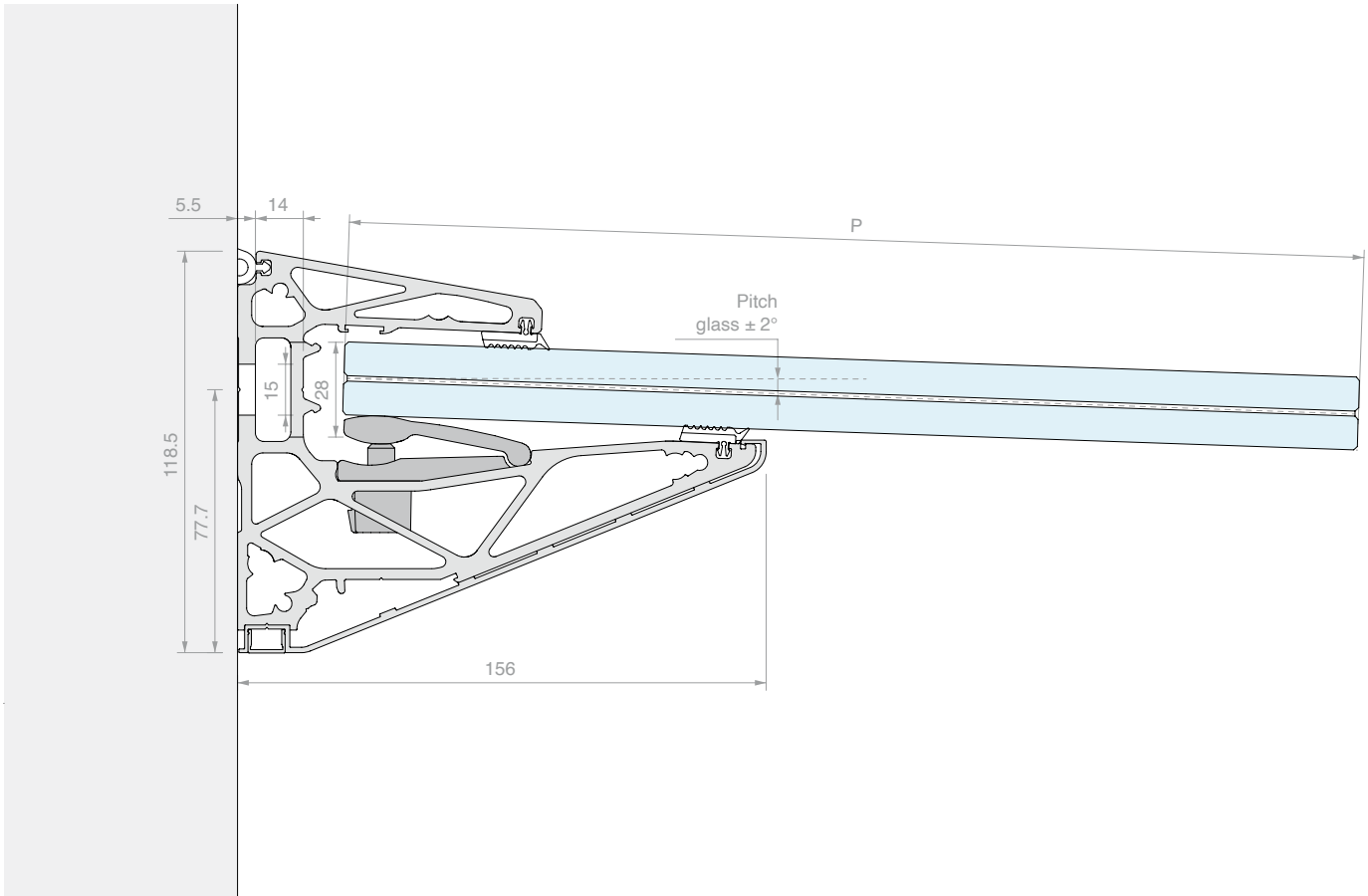
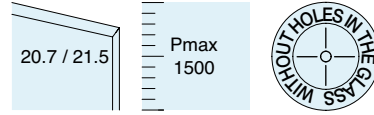
KIT LUMIA - 1010

FOR 10+10 MM GLASS

WITH INCLINED BOTTOM COVER

Material: Aluminium

Finish: /10 /88 /97 /RAL



Kit comprising:

Art.	Description	Qty
PENL.60	Profile	1 Pc
PENLCOV03.60	Inclined bottom cover	1 Pc
LMU11.30	Bottom screw cover	2 Pcs
PENLVIT	Self-drilling screw	10 Pcs
PENLGRYKIT5	Glass fixing set	6 Pcs
DFPG03.03	Flat gasket	4 Pcs
PENG03	Wall sealing gasket	6 m

Kit comprising:

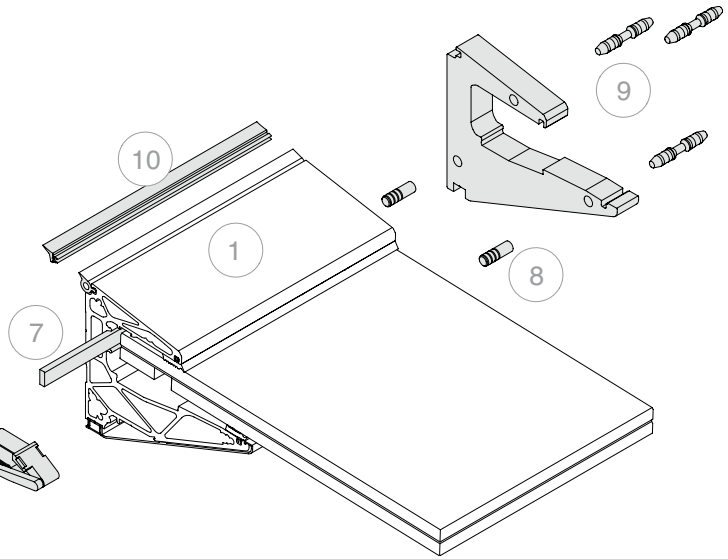
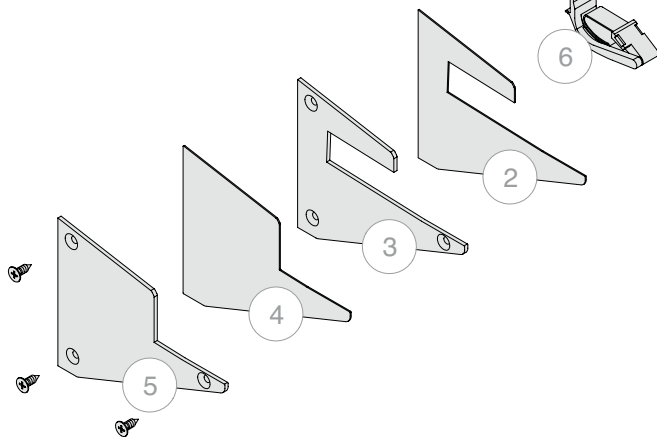
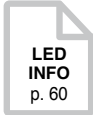
Art.	Description	Qty
PENL.30	Profile	1 Pc
PENLCOV03.30	Inclined bottom cover	1 Pc
LMU11.30	Bottom screw cover	1 Pc
PENLVIT	Self-drilling screw	6 Pcs
PENLGRYKIT5	Glass fixing set	3 Pcs
DFPG03.03	Flat gasket	2 Pcs
PENG03	Wall sealing gasket	3 m

Art.	Length	Qty	Art.	Length	Qty
PENLKIT1010.60	6000 mm	1 Pc	PENLKIT1010.30	3000 mm	1 Pc

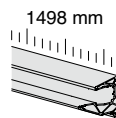
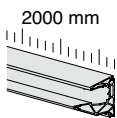
No. Art.
1 **PENLKIT1010**

Optional:

No.	Art.	Description
2	PENLT05	Open finishing cap
3	PENLT07	Open finishing cap with screws
4	PENLT01	Finishing cap
5	PENLT03	Finishing cap with screws



No.	Art.	Description
6	PENLSC	Shear pins
7	LEDST001	LED strip 1
8	DF25	2 centring pins
9	PENLGNKT	Thermal expansion joint with pins
10	DFP88G01	Gasket with short lip



Kit comprising:

Art.	Description	Qty
PENL.20	Profile	1 Pc
PENLCOV03.20	Inclined bottom cover	1 Pc
LMU11.20	Bottom screw cover	1 Pc
PENLVIT	Self-drilling screw	4 Pcs
PENLGRYKIT5	Glass fixing set	2 Pcs
DFPG03	Flat gasket	4 m
PENG03	Wall sealing gasket	2 m

Kit comprising:

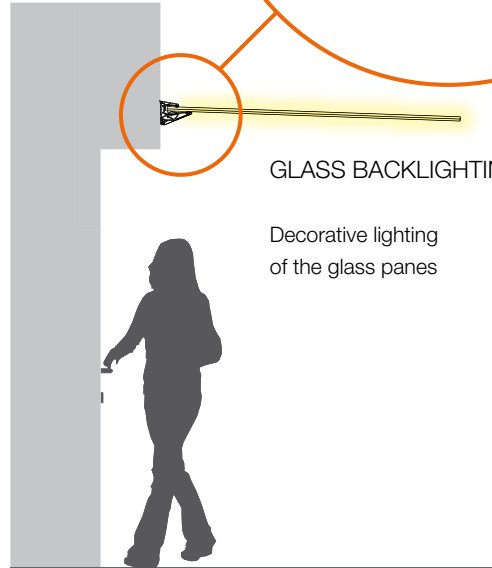
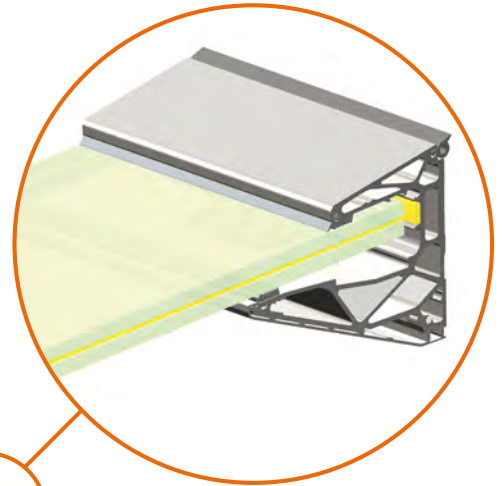
Art.	Description	Qty
PENL.15	Profile	1 Pc
PENLCOV03.15	Inclined bottom cover	1 Pc
LMU11.15	Bottom screw cover	1 Pc
PENLVIT	Self-drilling screw	3 Pcs
PENLGRY	Clamp for glass fixing	7 Pcs
DFPG03	Flat gasket	3 m
PENG03	Wall sealing gasket	1.5 m

Art.	Length	Qty	Art.	Length	Qty
PENLKIT1010.20	2000 mm	1 Pc	PENLKIT1010.15	1498 mm	1 Pc

Lumia illuminates

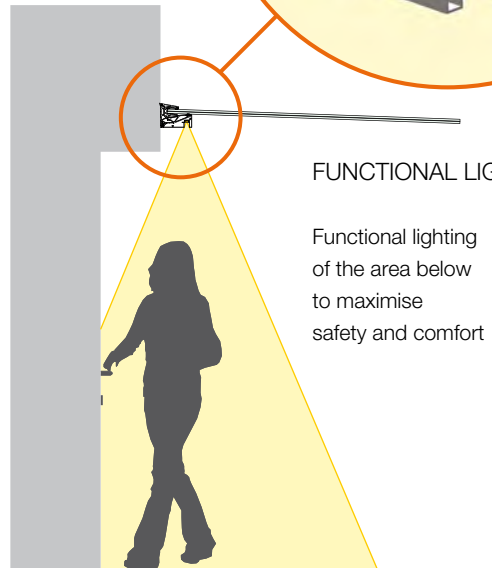
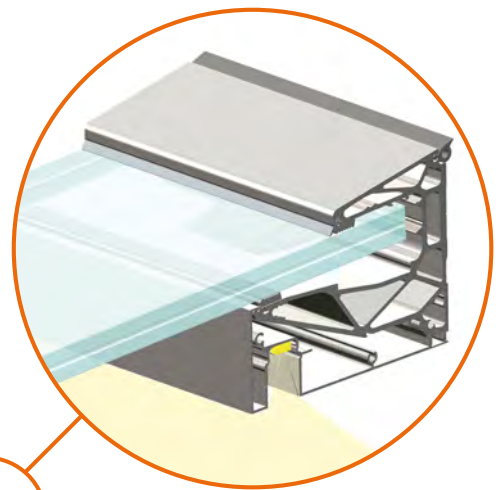
Decorative and functional light

A versatile system, capable of using the light to create decorative effects which create a big impact, but also of spreading pleasant lighting effects that enhance living spaces



GLASS BACKLIGHTING

Decorative lighting
of the glass panes



FUNCTIONAL LIGHTING

Functional lighting
of the area below
to maximise
safety and comfort



94

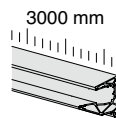
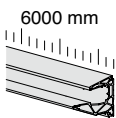
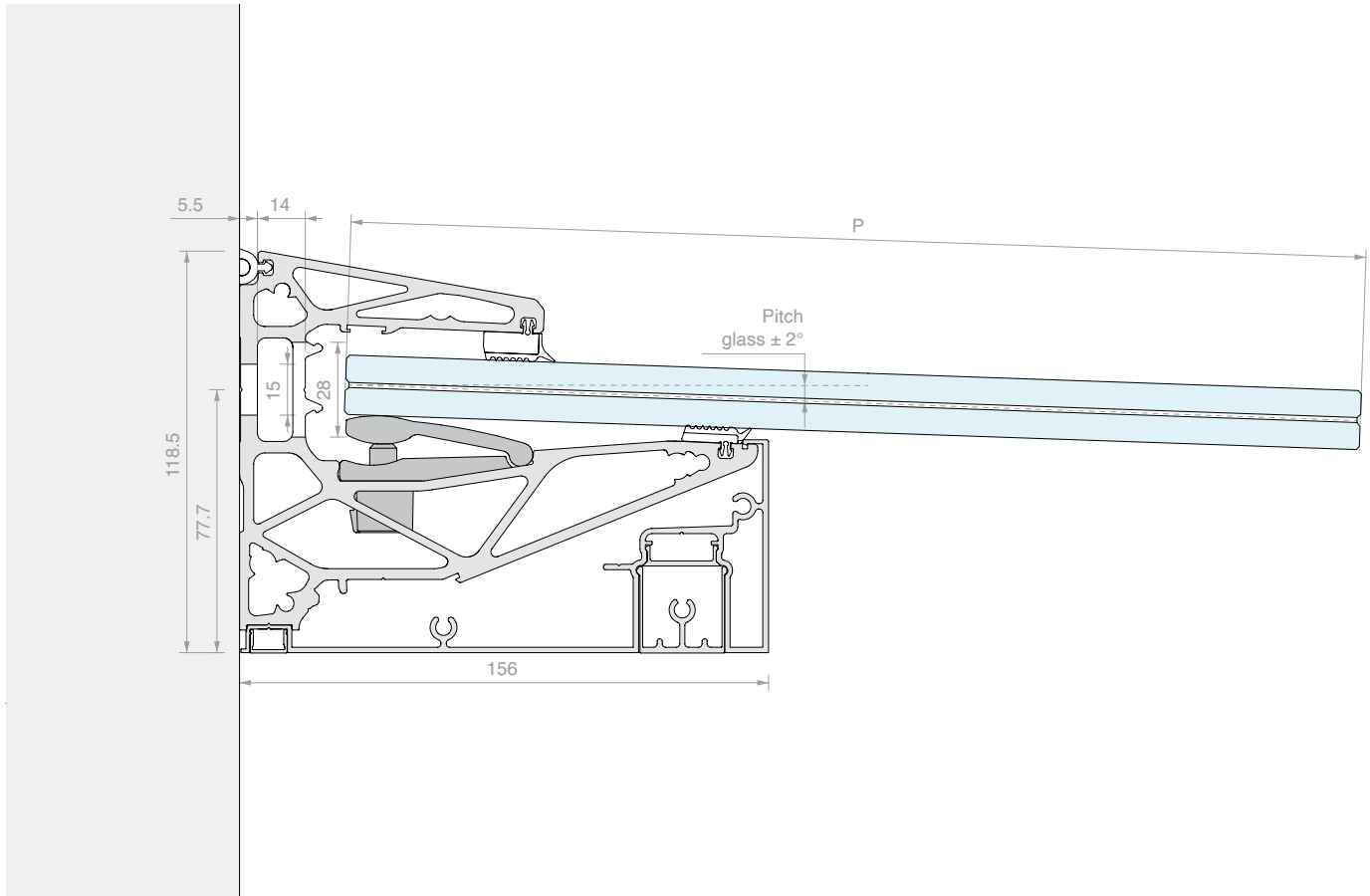
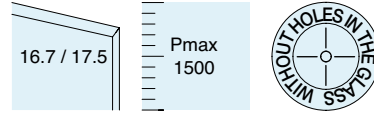
LUMIA KIT - LUCE 88

FOR 8+8 MM GLASS

WITH BOTTOM COVER FOR FUNCTIONAL LIGHTING

Material: Aluminium

Finish: /10 /88 /97 /RAL



Kit comprising:

Art.	Description	Qty
PENL.60	Profile	1 Pc
PENLCOV05.60	Functional lighting cover	1 Pc
PENLCOV07.01	Light leak cover	2 Pcs
LMU11.30	Bottom screw cover	2 Pcs
PENALU.60	Opaque profile for bottom light	1 Pc
PENLVIT	Self-drilling screw	10 Pcs
PENLGRYKIT5	Glass fixing set	6 Pcs
DFFPG03.03	Flat gasket	2 Pcs
DFFPG82.03	Oversized flat gasket	2 Pcs
PENG03	Wall sealing gasket	6 m
METAP250	Finishing cap	2 Pcs

Kit comprising:

Art.	Description	Qty
PENL.30	Profile	1 Pc
PENLCOV05.30	Functional lighting cover	1 Pc
PENLCOV07.01	Light leak cover	2 Pcs
LMU11.30	Bottom screw cover	1 Pc
PENALU.30	Opaque profile for bottom light	1 Pc
PENLVIT	Self-drilling screw	6 Pcs
PENLGRYKIT5	Glass fixing set	3 Pcs
DFFPG03.03	Flat gasket	1 Pc
DFFPG82.03	Oversized flat gasket	1 Pc
PENG03	Wall sealing gasket	3 m
METAP250	Finishing cap	2 Pcs

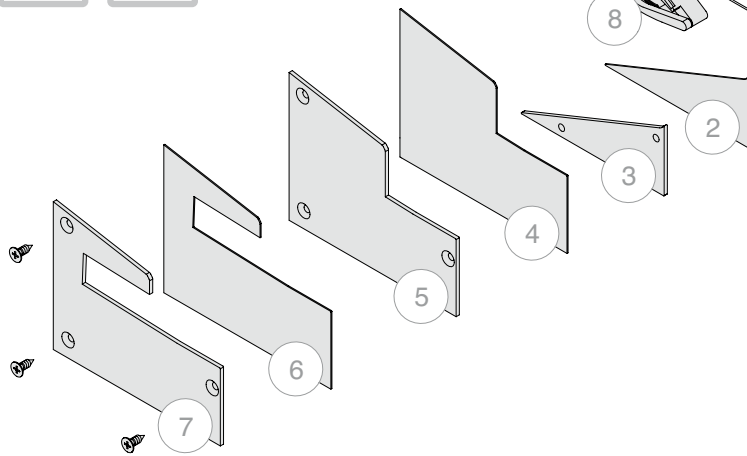
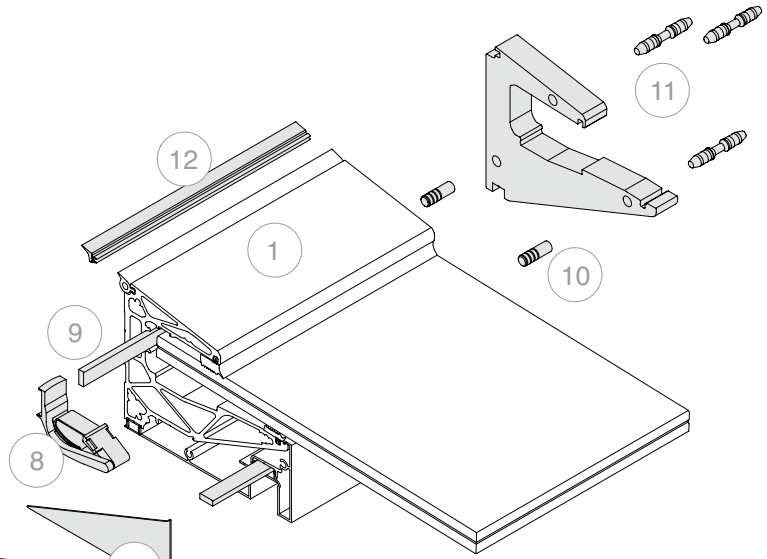
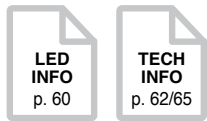
Art.	Length	Qty
PENLKITL88.60	6000 mm	1 Pc

Art.	Length	Qty
PENLKITL88.30	3000 mm	1 Pc

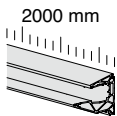
No. Art.
1 **PENLKITL88**

Optional:

No. Art.	Description
2 PENLT21	Bottom finishing cap
3 PENLT23	Bottom finishing cap with screws
4 PENLT11	LED cover finishing cap
5 PENLT13	LED cover finishing cap with screws
6 PENLT15	LED cover open finishing cap

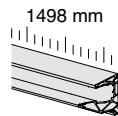


No. Art.	Description
7 PENLT17	LED cover open finishing cap with screws
8 PENLSC	Shear pins
9 LEDST001	LED strip 1
10 DF25	2 centring pins
11 PENLGNKT	Thermal expansion joint with pins
12 DFP88G01	Gasket with short lip



Kit comprising:

Art.	Description	Qty
PENL.20	Profile	1 Pc
PENLCOV05.20	Functional lighting cover	1 Pc
PENLCOV07.01	Light leak cover	2 Pcs
LMU11.20	Bottom screw cover	1 Pc
PENALU.20	Opaque profile for bottom light	1 Pc
PENLVIT	Self-drilling screw	4 Pcs
PENLGRYKIT5	Glass fixing set	2 Pcs
DFPG03	Flat gasket	2 m
DFPG82	Oversized flat gasket	2 m
PENG03	Wall sealing gasket	2 m
METAP250	Finishing cap	2 Pcs



Kit comprising:

Art.	Description	Qty
PENL.15	Profile	1 Pc
PENLCOV05.15	Functional lighting cover	1 Pc
PENLCOV07.01	Light leak cover	2 Pcs
LMU11.15	Bottom screw cover	1 Pc
PENALU.15	Opaque profile for bottom light	1 Pc
PENLVIT	Self-drilling screw	3 Pcs
PENLGRY	Clamp for glass fixing	7 Pcs
DFPG03	Flat gasket	1.5 m
DFPG82	Oversized flat gasket	1.5 m
PENG03	Wall sealing gasket	1.5 m
METAP250	Finishing cap	2 Pcs

Art.	Length	Qty
PENLKITL88.20	2000 mm	1 Pc

Art.	Length	Qty
PENLKITL88.15	1498 mm	1 Pc

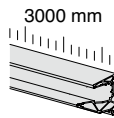
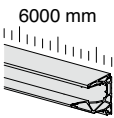
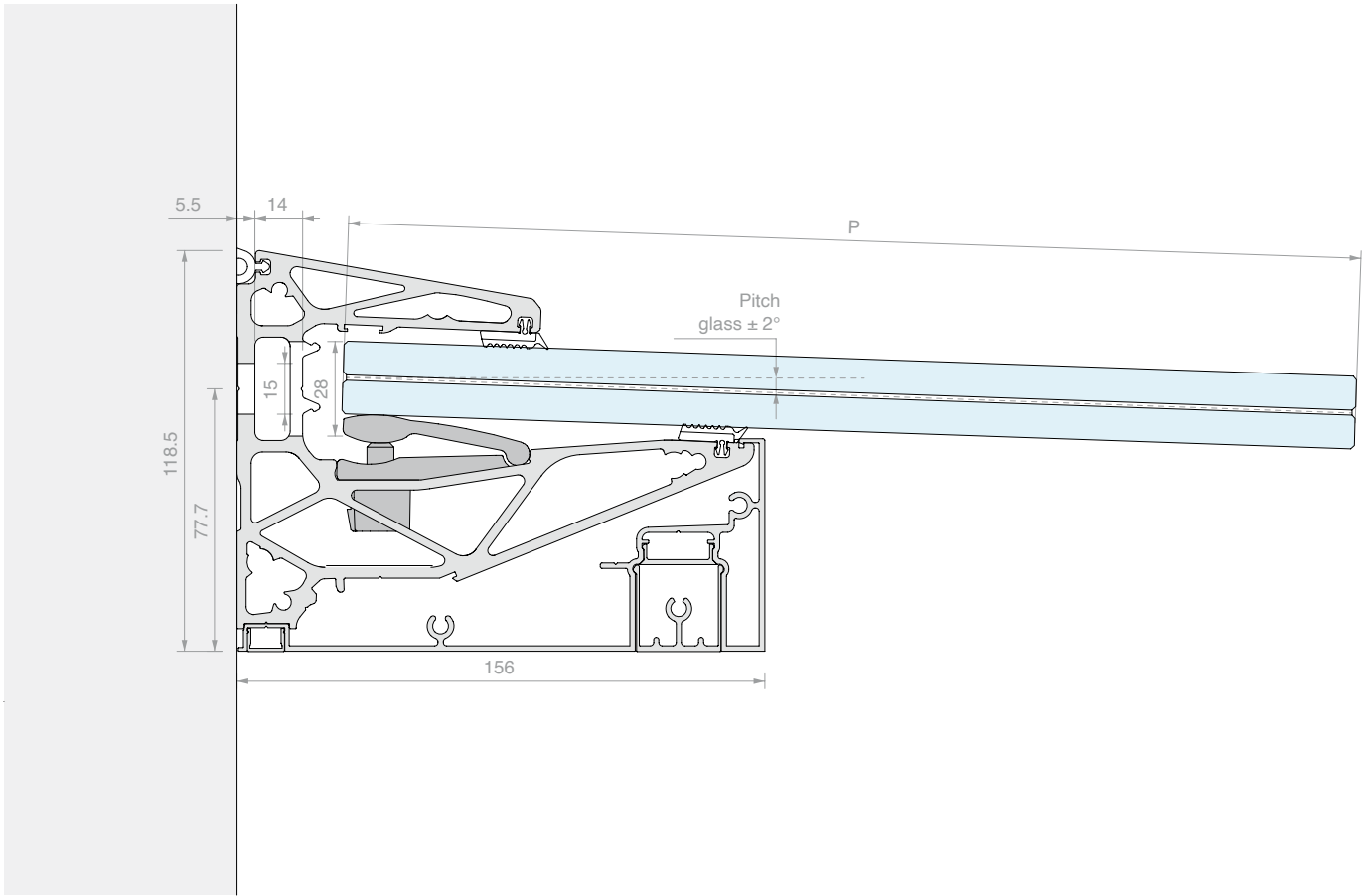
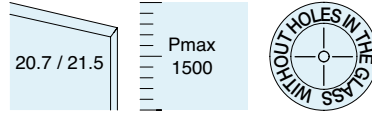
LUMIA KIT - LUCE 1010

FOR 10+10 MM GLASS

WITH BOTTOM COVER FOR FUNCTIONAL LIGHTING

Material: Aluminium

Finish: /10 /88 /97 /RAL



Kit comprising:

Art.	Description	Qty
PENL.60	Profile	1 Pc
PENLCOV05.60	Functional lighting cover	1 Pc
PENLCOV07.01	Light leak cover	2 Pcs
LMU11.30	Bottom screw cover	2 Pcs
PENALU.60	Opaque profile for bottom light	1 Pc
PENLVIT	Self-drilling screw	10 Pcs
PENLGRYKIT5	Glass fixing set	6 Pcs
DFPG03.03	Flat gasket	4 Pcs
PENG03	Wall sealing gasket	6 m
METAP250	Finishing cap	2 Pcs

Kit comprising:

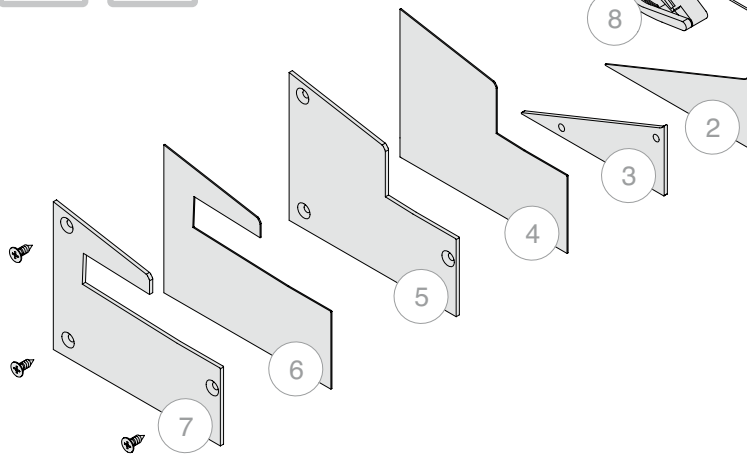
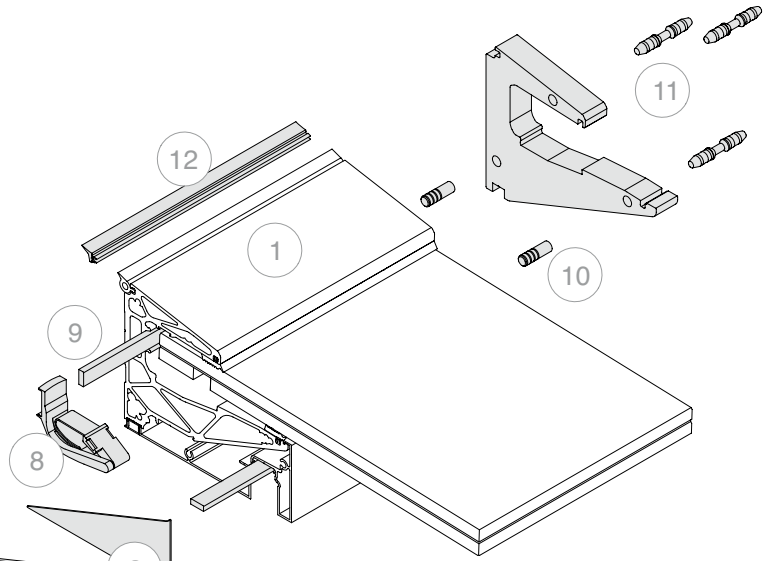
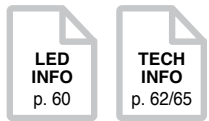
Art.	Description	Qty
PENL.30	Profile	1 Pc
PENLCOV05.30	Functional lighting cover	1 Pc
PENLCOV07.01	Light leak cover	2 Pcs
LMU11.30	Bottom screw cover	1 Pc
PENALU.30	Opaque profile for bottom light	1 Pc
PENLVIT	Self-drilling screw	6 Pcs
PENLGRYKIT5	Glass fixing set	3 Pcs
DFPG03.03	Flat gasket	2 Pcs
PENG03	Wall sealing gasket	3 m
METAP250	Finishing cap	2 Pcs

Art.	Length	Qty	Art.	Length	Qty
PENLKITL1010.60	6000 mm	1 Pc	PENLKITL1010.30	3000 mm	1 Pc

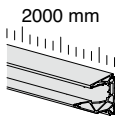
No. Art.
1 **PENLKITL1010**

Optional:

No. Art.	Description
2 PENLT21	Bottom finishing cap
3 PENLT23	Bottom finishing cap with screws
4 PENLT11	LED cover finishing cap
5 PENLT13	LED cover finishing cap with screws
6 PENLT15	LED cover open finishing cap

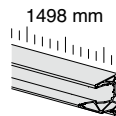


No. Art.	Description
7 PENLT17	LED cover open finishing cap with screws
8 PENLSC	Shear pins
9 LEDST001	LED strip 1
10 DF25	2 centring pins
11 PENLGNKT	Thermal expansion joint with pins
12 DFP88G01	Gasket with short lip



Kit comprising:

Art.	Description	Qty
PENL.20	Profile	1 Pc
PENLCOV05.20	Functional lighting cover	1 Pc
PENLCOV07.01	Light leak cover	2 Pcs
LMU11.20	Bottom screw cover	1 Pc
PENALU.20	Opaque profile for bottom light	1 Pc
PENLVIT	Self-drilling screw	4 Pcs
PENLGRYKIT5	Glass fixing set	2 Pcs
DFPG03	Flat gasket	4 m
PENG03	Wall sealing gasket	2 m
METAP250	Finishing cap	2 Pcs



Kit comprising:

Art.	Description	Qty
PENL.15	Profile	1 Pc
PENLCOV05.15	Functional lighting cover	1 Pc
PENLCOV07.01	Light leak cover	2 Pcs
LMU11.15	Bottom screw cover	1 Pc
PENALU.15	Opaque profile for bottom light	1 Pc
PENLVIT	Self-drilling screw	3 Pcs
PENLGRY	Clamp for glass fixing	7 Pcs
DFPG03	Flat gasket	3 m
PENG03	Wall sealing gasket	1.5 m
METAP250	Finishing cap	2 Pcs

Art.	Length	Qty	Art.	Length	Qty
PENLKITL1010.20	2000 mm	1 Pc	PENLKITL1010.15	1498 mm	1 Pc

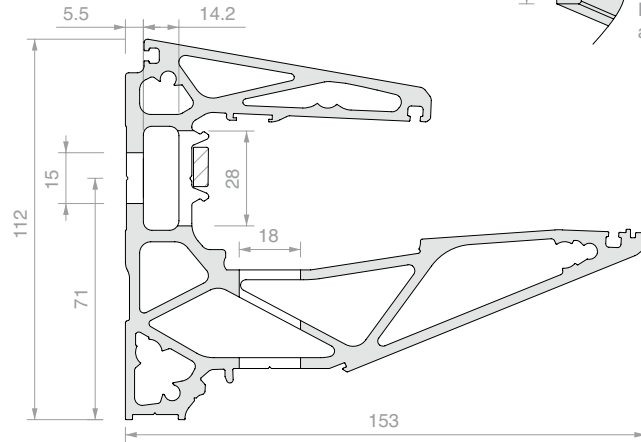
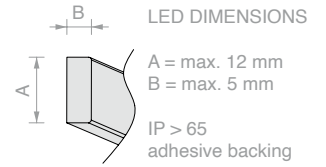




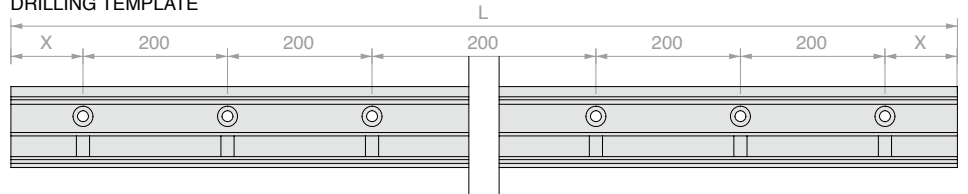
LUMIA PROFILE

Material: Aluminium (6063 - T6)

Finish: /10 /88 /97 /RAL



DRILLING TEMPLATE



Art.	L	X	Qty
PENL.15	1498 mm	100 ± 5 mm	1 Pc
PENL.20	2000 mm	100 ± 5 mm	1 Pc
PENL.30	3000 mm	100 ± 5 mm	1 Pc
PENL.60	6000 mm	100 ± 5 mm	1 Pc



GLASS FIXING KIT FOR LUMIA

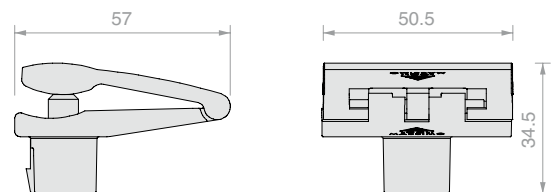
Material: High strength polyamide

Art.	Description	Qty
PENLGRYKIT5	5 clamps with grub screw	1 Pc



CLAMP WITH GRUB SCREW FOR FIXING GLASS FOR LUMIA

Material: High strength polyamide

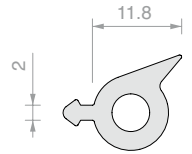


Art.	Qty
PENLGRY	1 Pc

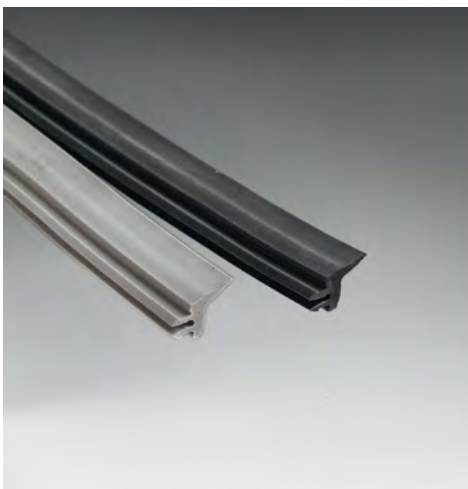
**WALL SEALING GASKET**

Material: TPE

Colour: grey

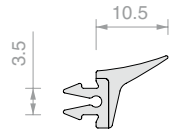


Art.	Package	Qty
PENG03		1 m
PENG03.60	60 m roll	1 Pc

**GASKET WITH SHORT LIP**

Material: TPE

Finish: /6 /97

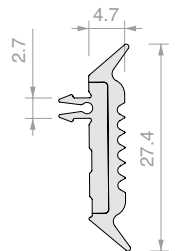


Art.	For glass	Package	Qty
DFP88G01	16.7/17.5 mm		1 m
DFP88G01.03	16.7/17.5 mm	3 m profile	1 Pc
DFP88G01.60	16.7/17.5 mm	60 m roll	1 Pc

**FLAT GASKET**

Material: TPE

Finish: /6 /97

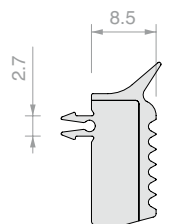


Art.	Package	Qty
DFPG03		1 m
DFPG03.03	3 m profile	1 Pc
DFPG03.60	60 m roll	1 Pc

**OVERSIZED FLAT GASKET**

Material: TPE

Finish: /6 /97



Art.	Package	Qty
DFPG82		1 m
DFPG82.03	3 m profile	1 Pc
DFPG82.60	60 m roll	1 Pc

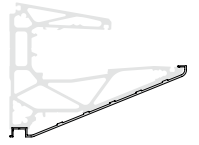
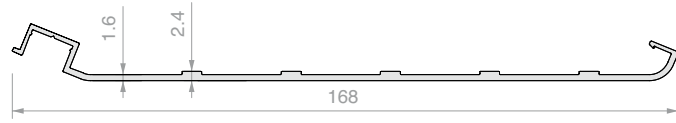


INCLINED BOTTOM COVER

Material: Aluminium

Finish: /10 /88 /97 /RAL

Note: Install using fixing screws



Art.	Length	Qty
PENLCOV03.15	1498 mm	1 Pc
PENLCOV03.20	2000 mm	1 Pc
PENLCOV03.30	3000 mm	1 Pc
PENLCOV03.60	6000 mm	1 Pc

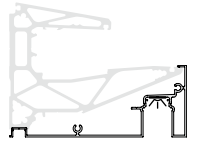
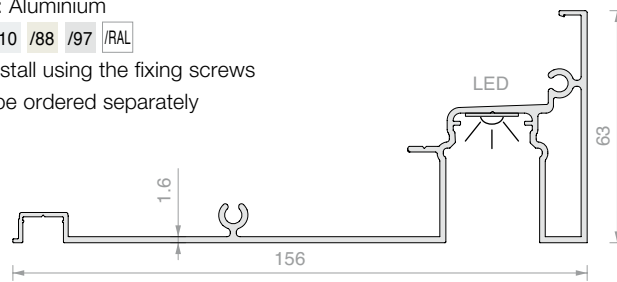


BOTTOM COVER FOR FUNCTIONAL LIGHTING

Material: Aluminium

Finish: /10 /88 /97 /RAL

Note: Install using the fixing screws LED to be ordered separately



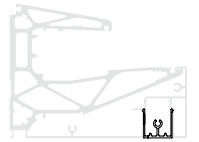
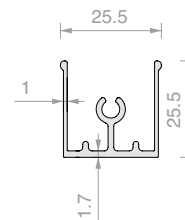
Art.	Length	Qty
PENLCOV05.15	1498 mm	1 Pc
PENLCOV05.20	2000 mm	1 Pc
PENLCOV05.30	3000 mm	1 Pc
PENLCOV05.60	6000 mm	1 Pc



BOTTOM COVER FOR LIGHT JOINT

Material: Aluminium

Finish: /10 /88 /97 /RAL



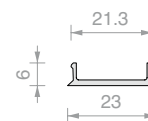
Art.	Length	Qty
PENLCOV07.15	1498 mm	1 Pc
PENLCOV07.20	2000 mm	1 Pc
PENLCOV07.30	3000 mm	1 Pc
PENLCOV07.60	6000 mm	1 Pc



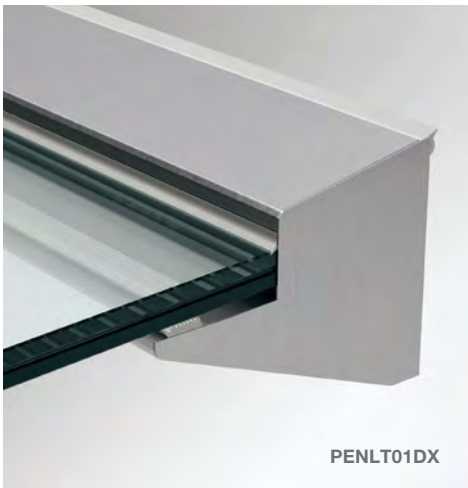
OPAQUE PROFILE FOR BOTTOM LIGHT

Material: PC

Finish: transparent opaque



Art.	Length	Qty
PENALU.15	1500 mm	1 Pc
PENALU.20	2000 mm	1 Pc
PENALU.30	3000 mm	1 Pc
PENALU.60	6000 mm	1 Pc

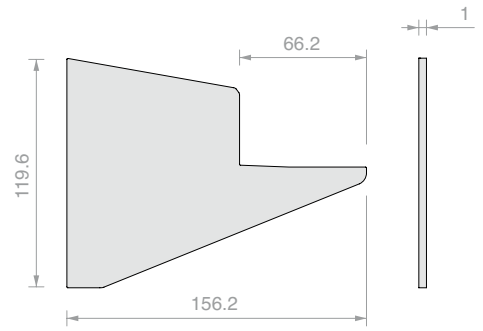


FINISHING CAP

Material: Aluminium

Finish: /10 /88 /97 /RAL

Note: Install using silicone on the whole end of the cap



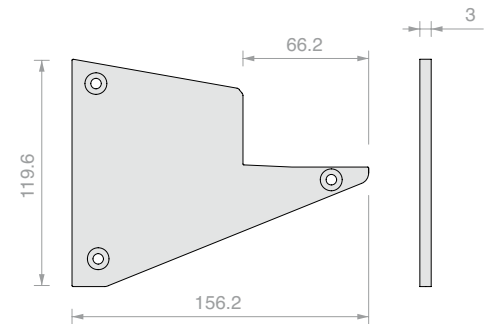
Art.	Mounting	Qty
PENLT01SX	Left	1 Pc
PENLT01DX	Right	1 Pc



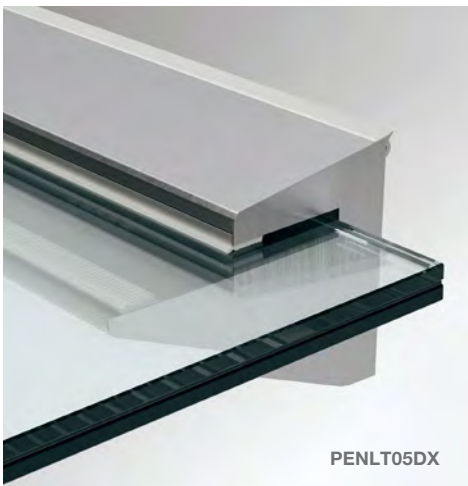
FINISHING CAP WITH SCREWS

Material: Aluminium

Finish: /10 /88 /97 /RAL



Art.	Mounting	Qty
PENLT03SX	Left	1 Pc
PENLT03DX	Right	1 Pc

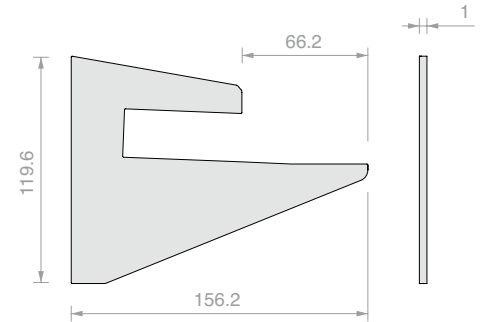


OPEN FINISHING CAP

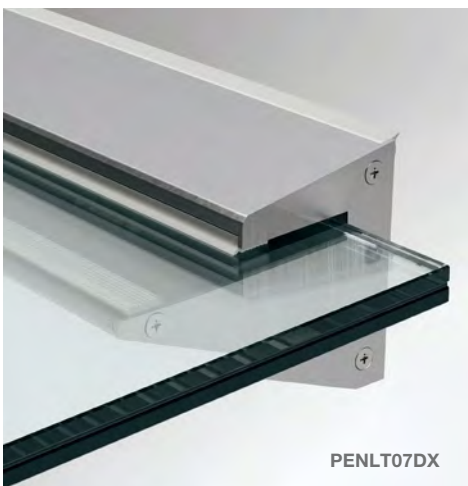
Material: Aluminium

Finish: /10 /88 /97 /RAL

Note: Install using silicone on the whole end of the cap



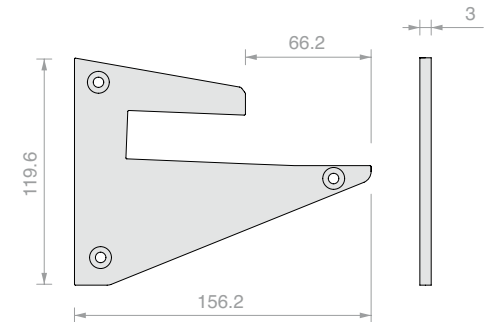
Art.	Mounting	Qty
PENLT05SX	Left	1 Pc
PENLT05DX	Right	1 Pc



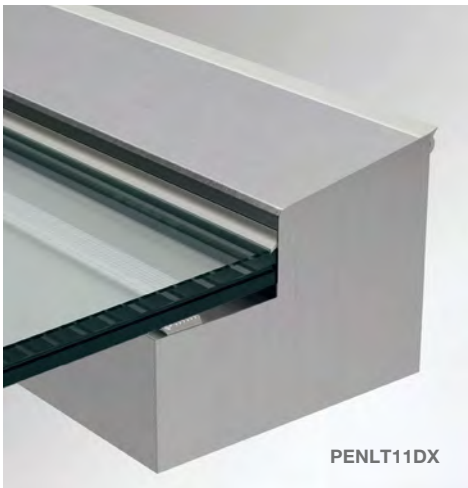
OPEN FINISHING CAP WITH SCREWS

Material: Aluminium

Finish: /10 /88 /97 /RAL



Art.	Mounting	Qty
PENLT07SX	Left	1 Pc
PENLT07DX	Right	1 Pc

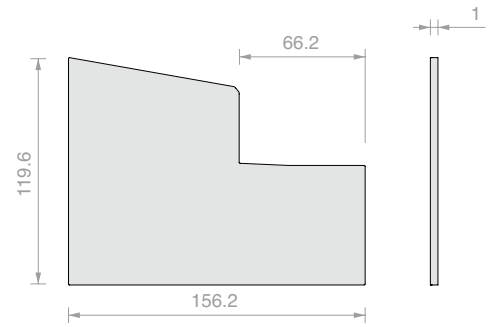


LED COVER FINISHING CAP

Material: Aluminium

Finish: /10 /88 /97 /RAL

Note: Install using silicone on the whole end of the cap



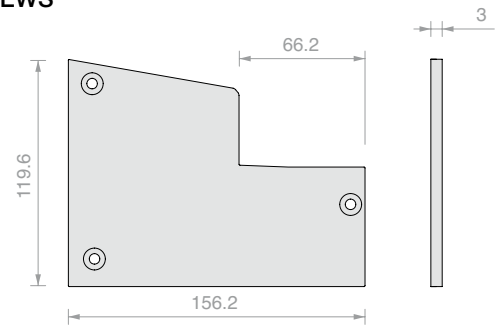
Art.	Mounting	Qty
PENLT11SX	Left	1 Pc
PENLT11DX	Right	1 Pc



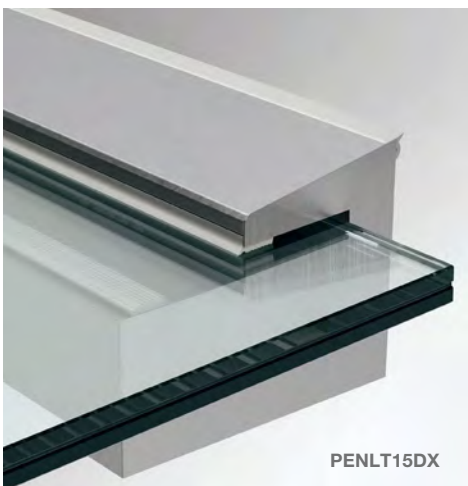
LED COVER FINISHING CAP WITH SCREWS

Material: Aluminium

Finish: /10 /88 /97 /RAL



Art.	Mounting	Qty
PENLT13SX	Left	1 Pc
PENLT13DX	Right	1 Pc

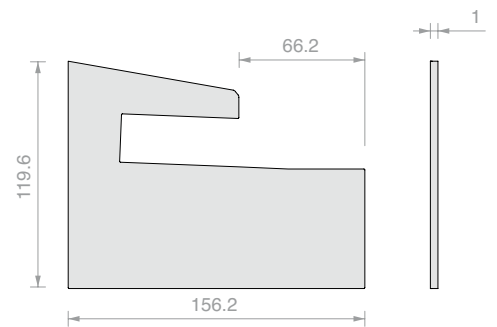


LED COVER OPEN FINISHING CAP

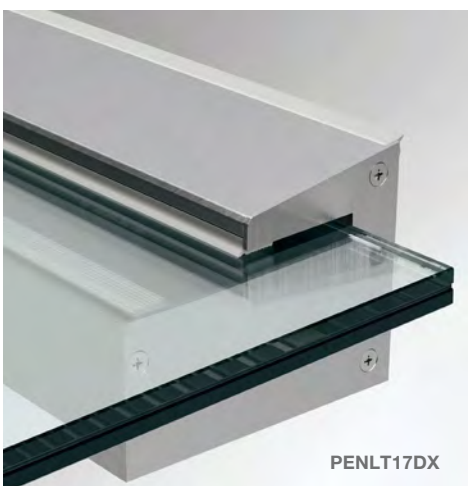
Material: Aluminium

Finish: /10 /88 /97 /RAL

Note: Install using silicone on the whole end of the cap



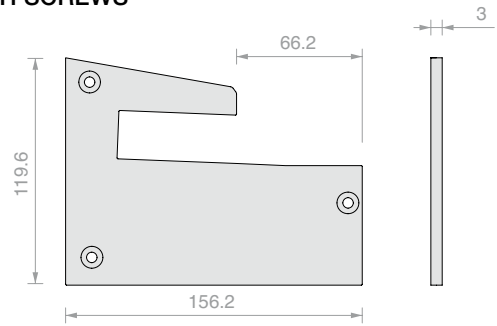
Art.	Mounting	Qty
PENLT15SX	Left	1 Pc
PENLT15DX	Right	1 Pc



LED COVER OPEN FINISHING CAP WITH SCREWS

Material: Aluminium

Finish: /10 /88 /97 /RAL



Art.	Mounting	Qty
PENLT17SX	Left	1 Pc
PENLT17DX	Right	1 Pc

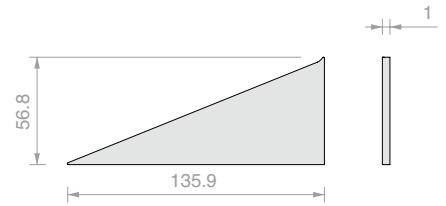


LED COVER BOTTOM FINISHING CAP

Material: Aluminium

Finish: /10 /88 /97 /RAL

Note: Install using silicone on the whole end of the cap



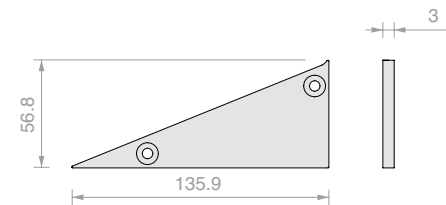
Art.	Mounting	Qty
PENLT21SX	Left	1 Pc
PENLT21DX	Right	1 Pc



LED COVER BOTTOM FINISHING CAP WITH SCREWS

Material: Aluminium

Finish: /10 /88 /97 /RAL



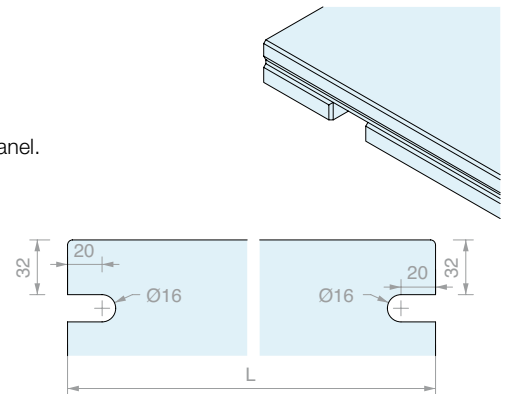
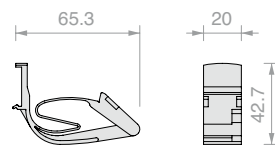
Art.	Mounting	Qty
PENLT23SX	Left	1 Pc
PENLT23DX	Right	1 Pc



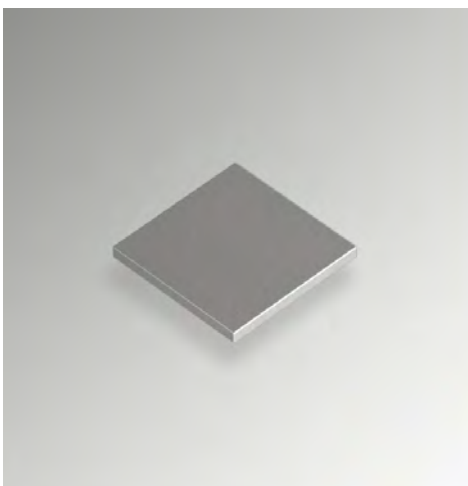
2 LUMIA SHEAR PINS

Material: High strength polyamide

Note: installation and functions on page 65
For these accessories, machining is required on the bottom pane of glass on the laminated panel.



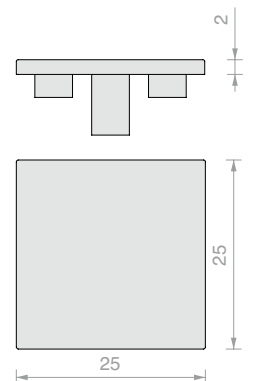
Art.	Qty
PENLSC	1 Pc



FINISHING CAP FOR PENLCOV07

Material: POM

Finish: /6 /56



Art.	Qty
METAP250	1 Pc



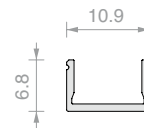
SNAP-ON BOTTOM SCREW COVER

Material: Aluminium

Finish: /10 /88 /97 /RAL

Note: profile to be used with

Art. PENLCOV03 and PENLCOV05.

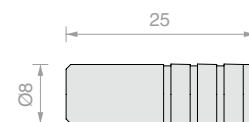


Art.	Length	Qty
LMU11.15	1498 mm	1 Pc
LMU11.20	2000 mm	1 Pc
LMU11.30	3000 mm	1 Pc



2 IN-LINE CENTRING PINS

Material: Aluminium



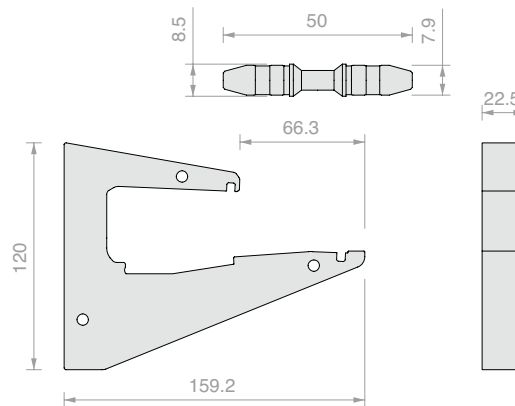
Art.	Qty
DF25	1 Pc



THERMAL EXPANSION JOINT WITH 3 CENTRING PINS

Material: POM/EPDM foam

Finish: black

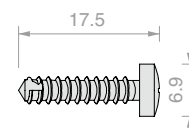


Art.	Qty
PENLGNKT	1 Pc



SELF-DRILING SCREW

Material: stainless steel



Art.	Qty
PENLVIT	1 Pc

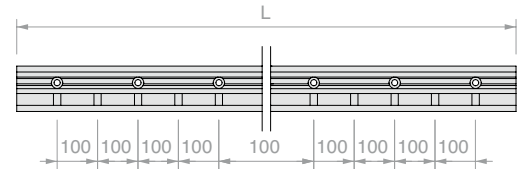
**LINEAR CUT ON PEN/PENL PROFILES**

Art.

PENTAGLIO

Qty

1 Pc

**ADDITIONAL HOLES FOR CLAMPS****Note:** The article numbers refer only to the machining, to be added to profiles with standard drilling

Art.

Length

No. additional holes

Qty

PENL.15FORO

1498 mm

7

1 Pc

PENL.20FORO

2000 mm

9

1 Pc

PENL.30FORO

3000 mm

14

1 Pc

PENL.60FORO

6000 mm

29

1 Pc

PENL.FOROAdditional hole $\varnothing 18$ mm

-

1 Pc

**FLEXIBLE SCREWDRIVER WITH CH4 INSERT**

Art.

DFFLEX06

Qty

1 Pc

**MAKITA GUN SCREWDRIVER**

Dual speed - Shut-off clutch - LED lighting - Reversible

TIGHTENING TORQUE = 2.9 Nm

Art.

DFMAK21

Qty

1 Pc



FLEXIBLE EXTENSION FOR SCREWDRIVER

Can be used with Makita screwdriver art. DFMAK21, or similar

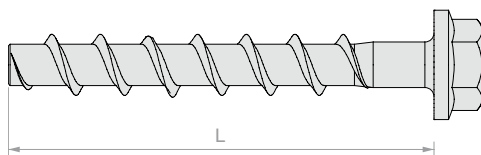
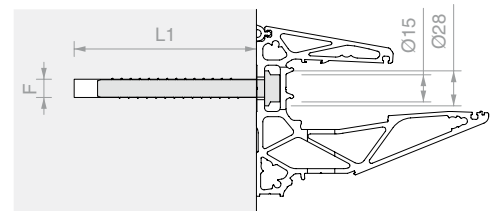
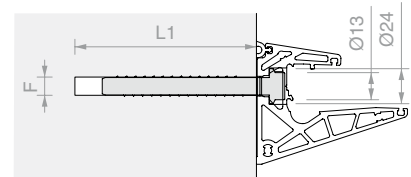
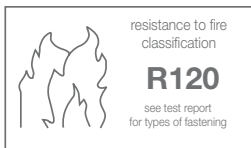
Art.	Description	Qty
DFFLEX07	Flexible extension with hexagonal CH4 insert	1 Pc
DFFLEX04	Hexagonal CH4 insert	1 Pc

CONCRETE ANCHOR

Material: Galvanised steel/A4 stainless steel

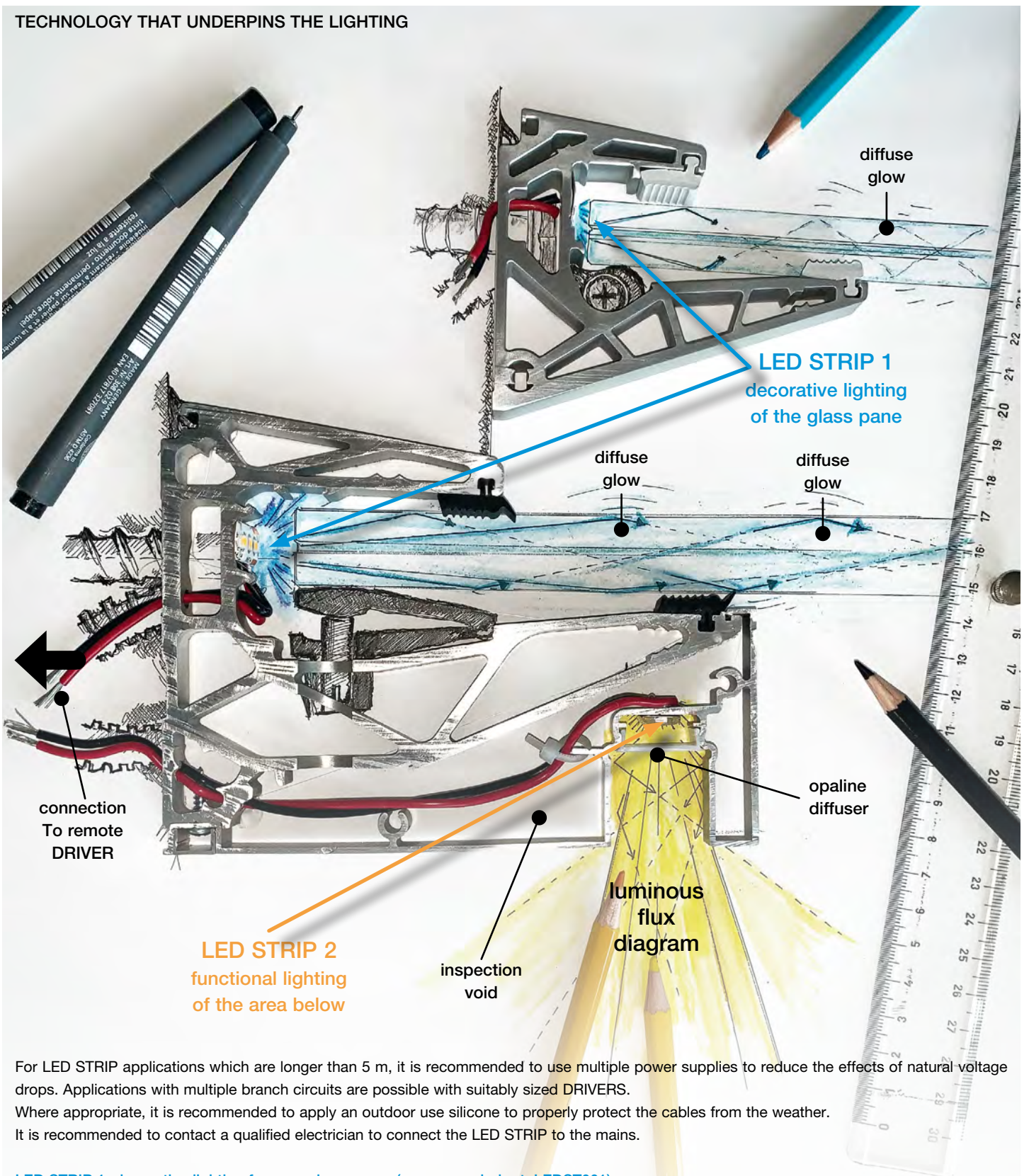
Properties: Mechanical anchor with very high performance for concrete with strength grade from C20/25 to C50/60, cracked and non-cracked.

Package: 15 Pcs



Art.	L = screw length	F = hole Ø	L1 - Hole depth	Tightening wrench	Material	Qty
DFFH10ZN	100 mm	10 mm	110 mm	SW16	Galvanised steel	1 Pc
DFFH10A4	100 mm	10 mm	110 mm	SW16	Stainless Steel A4	1 Pc
DFFH12ZN	110 mm	12 mm	120 mm	SW17	Galvanised steel	1 Pc
DFFH12A4	110 mm	12 mm	120 mm	SW17	Stainless Steel A4	1 Pc

TECHNOLOGY THAT UNDERPINS THE LIGHTING



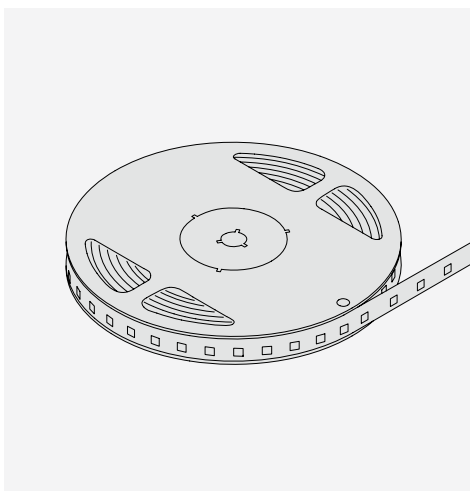
For LED STRIP applications which are longer than 5 m, it is recommended to use multiple power supplies to reduce the effects of natural voltage drops. Applications with multiple branch circuits are possible with suitably sized DRIVERS. Where appropriate, it is recommended to apply an outdoor use silicone to properly protect the cables from the weather. It is recommended to contact a qualified electrician to connect the LED STRIP to the mains.

LED STRIP 1: decorative lighting for your glass panes (recommended art. LEDST001)

The effect of decorative lighting on glass can highlight defects on the surface or inside the panes of glass, responsible for the diffuse glow effect. These defects tend to be more apparent as the light brightness increases: it is recommended to pay close attention to this during the production of the panes of glass and use only medium brightness LED STRIPS. It is recommended that you check each LED STRIP before installation.

LED STRIP 2: functional lighting of the area below (recommended art. LEDST002)

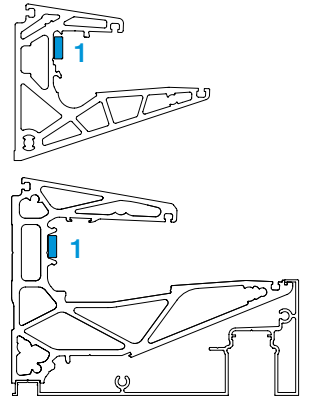
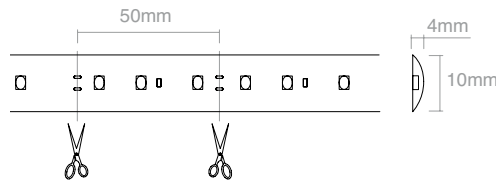
The recommended LED strip correctly illuminates the floor for installations at a height of approximately 3 metres. The intensity of the lighting is lower if the installation is higher. The lighting void and the LED STRIP must still be accessible for inspection.



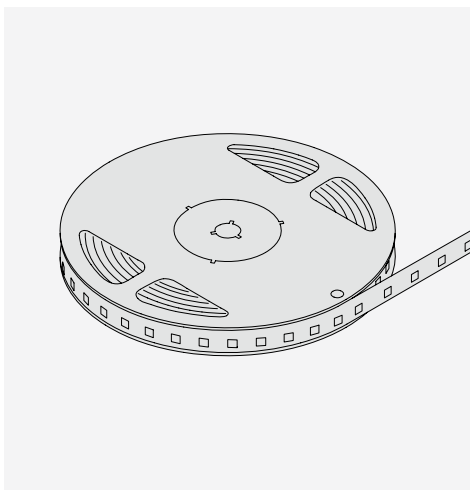
LED STRIP 1 - IP66 FOR GLASS

ALSO SUITABLE FOR OUTDOOR USE

LED strip 24V DC IP66 power 9.6 W/m 140 LED/m
CCT 4000K - lm/m 922 - lm/W 96



Art.	Length	Qty
LEDST001	5000 mm	1 Pc

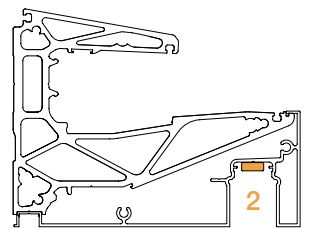
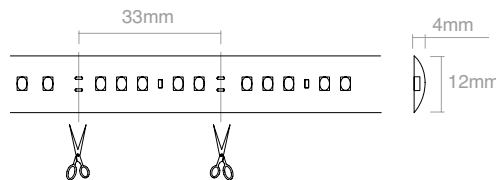


LED STRIP 2 - IP66

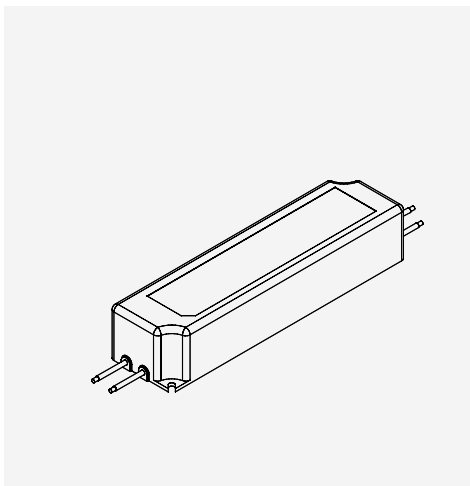
FOR FUNCTIONAL LIGHTING

ALSO SUITABLE FOR OUTDOOR USE

LED strip 24V DC IP66 power 14.4 W/m 210 LED/m
CCT 4000K - lm/m 1324 - lm/W 92



Art.	Length	Qty
LEDST002	5000 mm	1 Pc



24V DC POWER SUPPLY

ALSO SUITABLE FOR OUTDOOR USE

24V DC power supply, 35 W to 150 W, IP67
100-240 V operation



Art.	Power supply unit	L	B	H	Qty
LED24035IP	24V DC 35 W IP67	150 mm	40 mm	30 mm	1 Pc
LED24060IP	24V DC 60 W IP67	162 mm	42 mm	32 mm	1 Pc
LED24100IP	24V DC 100 W IP67	190 mm	52 mm	37 mm	1 Pc
LED24150IP	24V DC 150 W IP67	222 mm	68 mm	38 mm	1 Pc

- Pay attention to the polarity of the products.
- Only use stabilised 24V DC power supplies.
- After having calculated the total power draw of the devices to be installed, select a power supply unit which always has a load margin of more than 15/20% over the calculated load.
- During maintenance, disconnect the power supply.

Connect multiple devices in parallel:

to avoid damaging the LEDs, make all connections before powering on.

Max. continuous length 5 m

Example: Length of STRIP 3 m

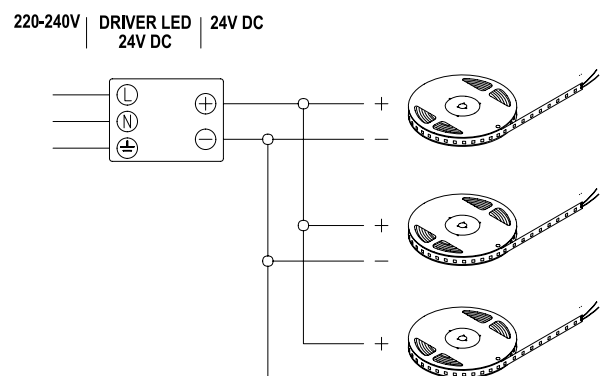
Type LED STRIP 1 24 V DC MAX 9.6 W/m (Art. LEDST001)

Select DRIVER power supply: LED type absorption x LED length + 15% (minimum increase due to voltage drop) $9.6 \times 3 \times 1.15 = 33.15 \text{ W (MIN)}$.

The power supply DRIVER to select: 24V DC 35W (Art. LED24035IP)

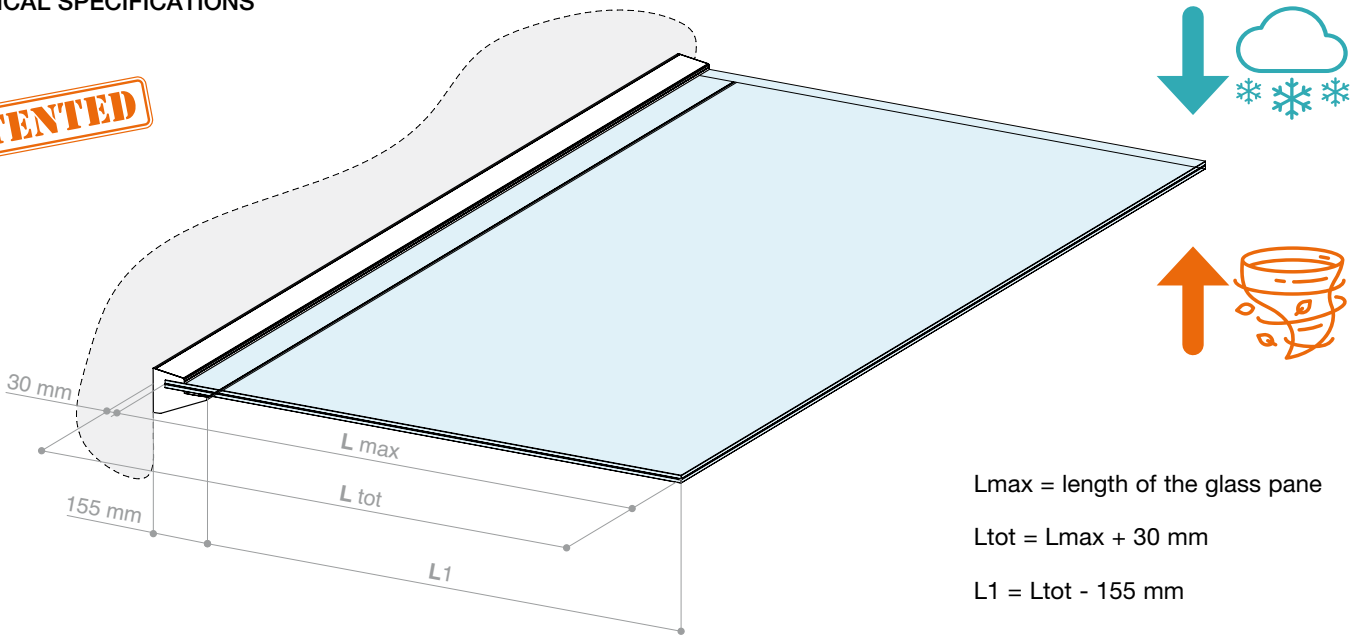
Full list of articles: LEDST001 1 Pc - LED24035IP 1 Pc

CONNECTION DIAGRAM - PARALLEL CIRCUIT



TECHNICAL SPECIFICATIONS

PATENTED

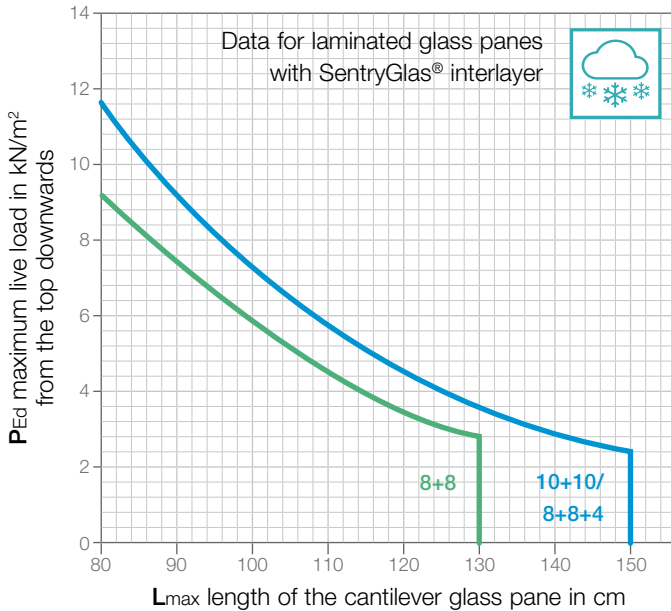


L_{max} = length of the glass pane

L_{tot} = $L_{max} + 30$ mm

L_1 = $L_{tot} - 155$ mm

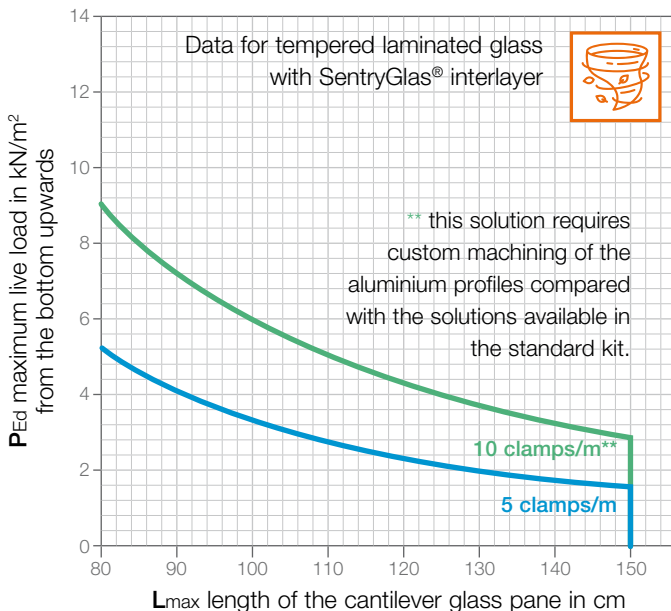
CANTILEVER SNOW LOAD PERFORMANCE



L_{max} [cm]	P_{Ed} [kN/m ²]	
	10+10 8+8+4 temp. SG	8+8 temp. SG
80	11.6	9.26
90	8.77	7.02
100	6.83	5.46
109	5.43	4.34
120	4.39	3.51
130	3.59	2.86
140	2.97	
150	2.48	

The maximum design load P_{Ed} refers to the sum of all variable loads acting downwards, including the associated safety and combination coefficients. The weight of the glass pane itself is always taken into account and does not need to be added. The results are shown for double layer tempered laminated glass EN 12150-1 10+10 mm or 8+8 mm or triple layer 8+8+4 mm, laminated with a 1.52 mm rigid SentryGlas® interlayer. With the triple layer configuration, the thinnest layer should be positioned facing the top of the installation. The results already take into consideration the reduction in strength caused by any machining of the lower glass pane to insert the shear pins on both sides. The configurations of the glass and the interlayers are provided by way of example and are not exhaustive of all installation possibilities: indeed, there are numerous alternative solutions known and in use on the market which have equal or potentially better performance levels in many important technical aspects (e.g. resistance to de-lamination, post-rupture behaviour, stability versus temperature variations, etc.).

CANTILEVER GLASS SUPPORT CURVE

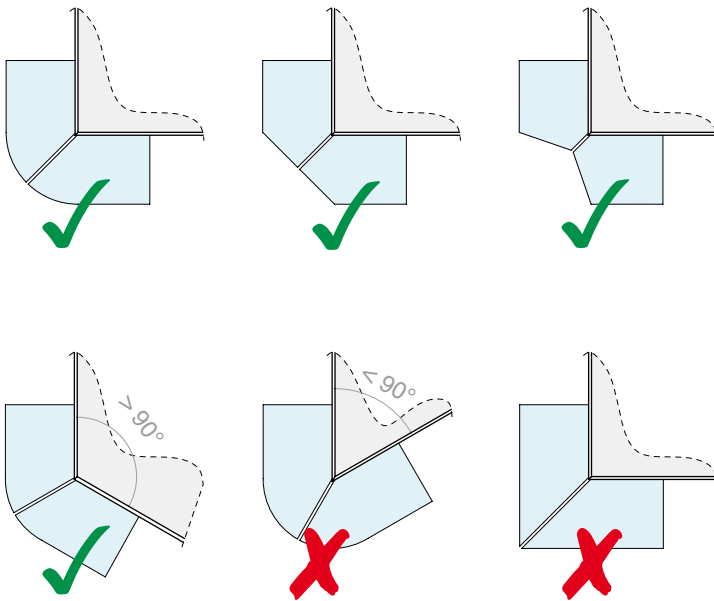
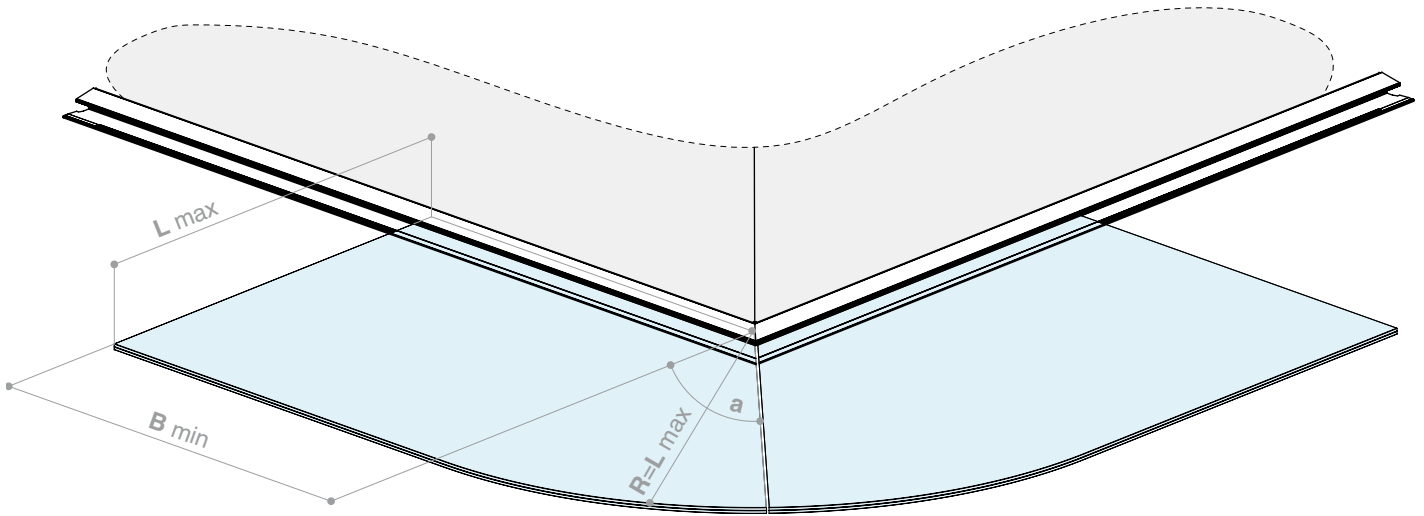


L_{max} [cm]	no. clamps/m	
	5	10
80	5.10	8.71
90	4.12	6.93
100	3.37	5.68
109	2.84	4.76
120	2.44	4.07
130	2.13	3.54
140	1.90	3.12
150	1.71	2.79

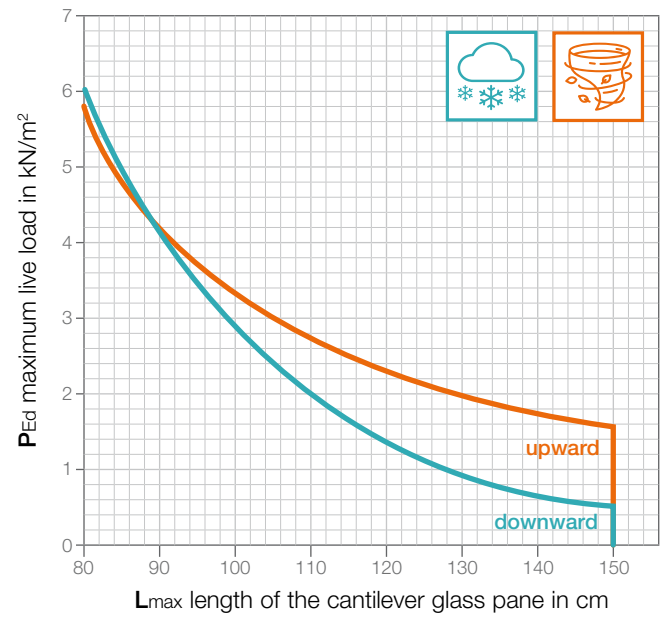
Note: the final assessment of the compliance of the system with the safety requirements remains a matter for the qualified engineer to assess, who will be able to verify the applicability of the data provided for the actual installation conditions, the conformity of the system for fastening to the load-bearing structure and the system's compliance with global safety requirements and those specific to the installation site (loads, support properties, exceptional loads, etc.). Detailed information about the design of the system is available online on our website or can be requested by contacting the Logli Saint-Gobain customer care technical department.

SentryGlas® is a registered trademark of Kuraray America, Inc. Trademarks may not be applied for or registered in all countries.

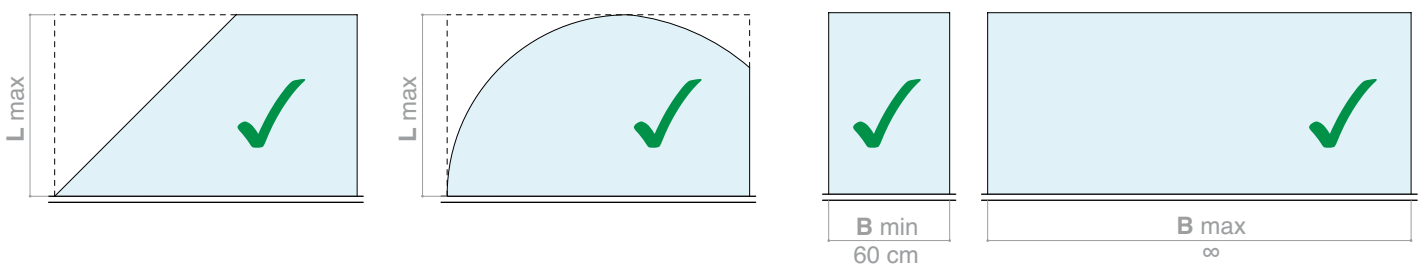
CORNER SOLUTIONS



PERFORMANCE - CORNER CANTILEVER

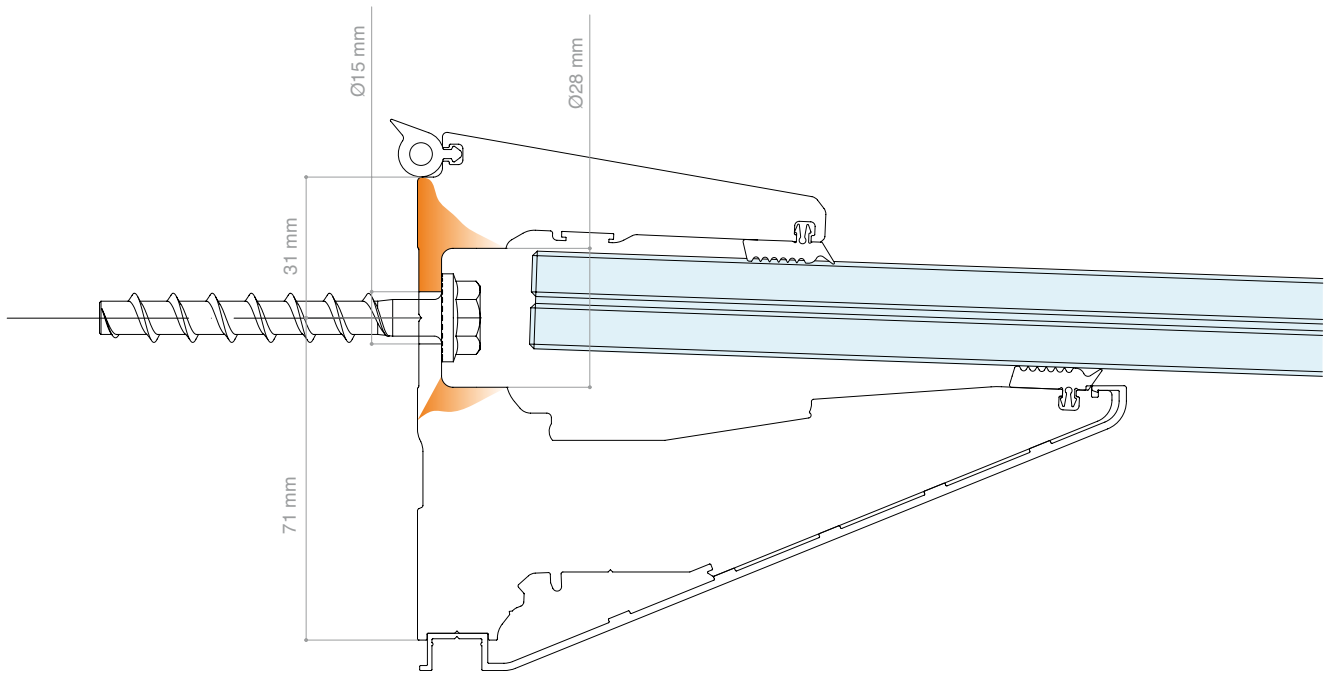


NON-STANDARD SOLUTIONS

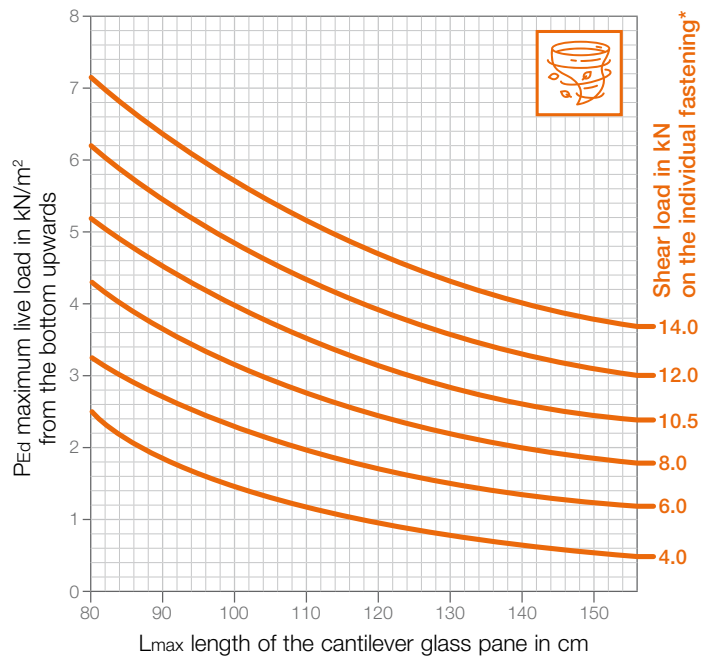
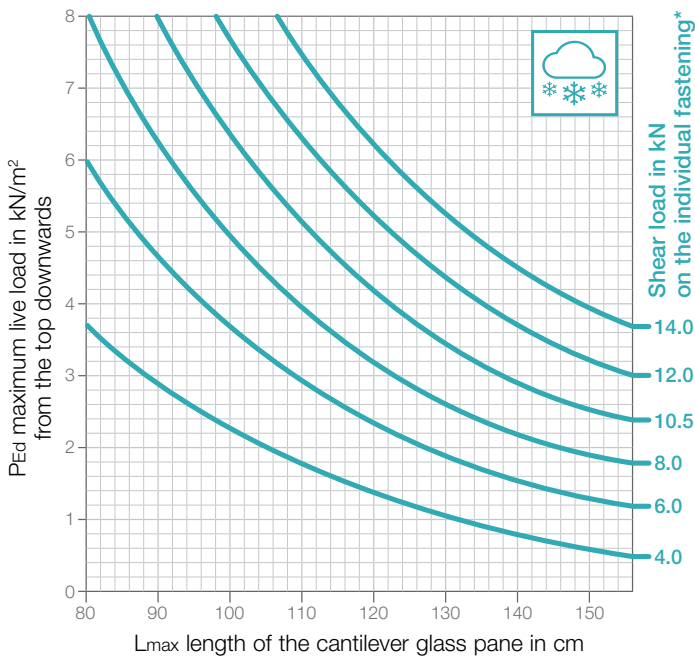


CONNECTION TO THE STRUCTURE

CHARTS FOR THE PRELIMINARY DESIGN OF THE FASTENING SYSTEMS



CHARTS FOR PRELIMINARY DESIGN OF THE FASTENING SYSTEMS

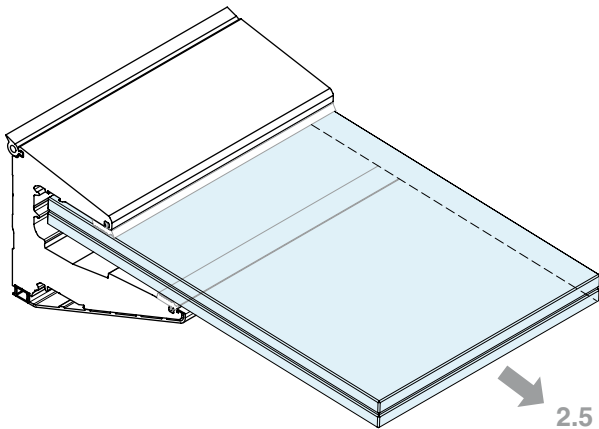


*The shear load on the individual fixing point is to be considered for the purposes of identifying the most suitable type of fastening for the structure. The values shown are based on a standard spacing of fixings of 200 mm (corresponding to installing a fastening in each hole). The reference to the design load P_{Ed} shown already includes the weight of the glass panes. Charts considering the shear force on the fastenings are not shown, as these are not a dimensioning factor in the majority of cases.

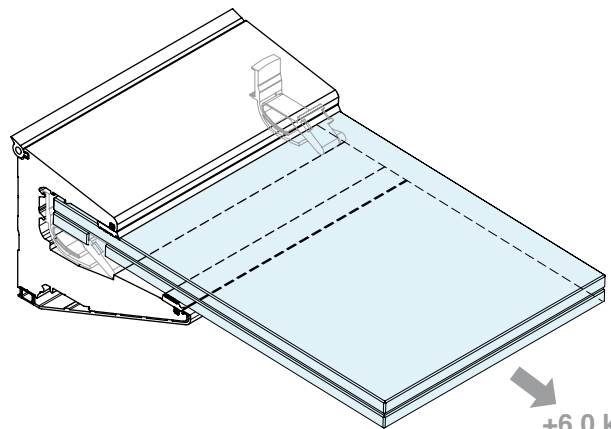
Note: the verification of the most suitable types of fastenings for the structure as well as their spacing in relation to the actual design loads remains a matter for the qualified engineer to assess, who will be able to verify the applicability of the data provided for the actual installation conditions (loads acting on the system, support properties, etc.). For installations in buildings which feature thermal insulation with low structural properties, it is recommended to pay the utmost attention to the creation of substructures with suitable properties to distribute and transmit the loads from the system.

SHEAR PINS (OPTIONAL)

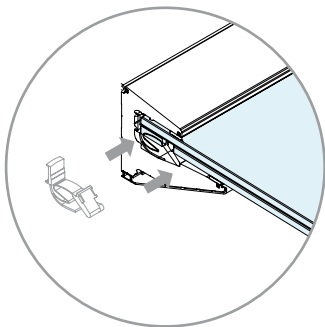
ADDITIONAL AND OPTIONAL SECURING SYSTEM, REQUIRES MACHINING ON THE BOTTOM PANE OF THE LAMINATED GLASS



Standard kit 5 clamps/m

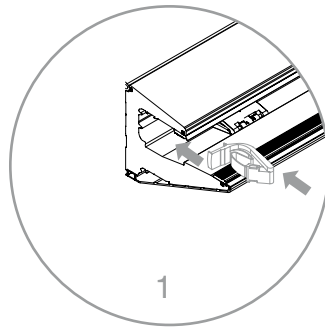


addition of 2 shear pins (optional)

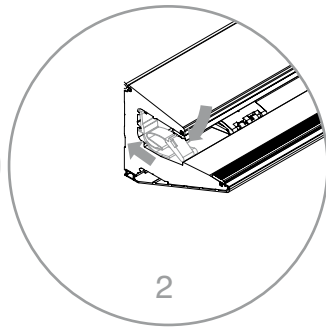


Option 1

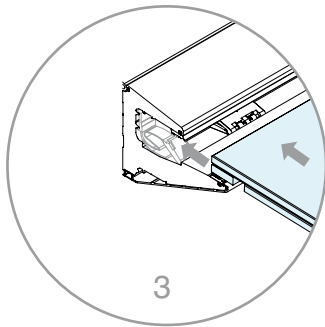
Insertion from side with glass already in position



1



2

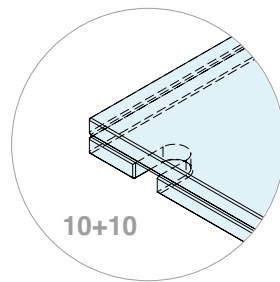
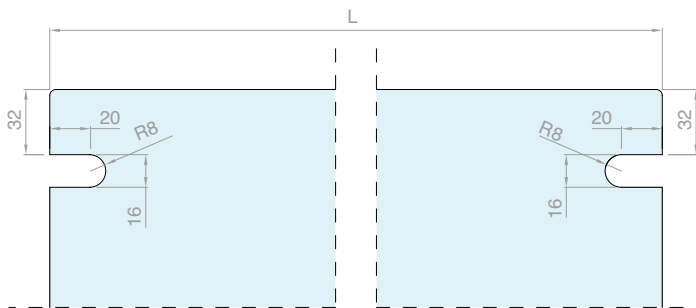


3

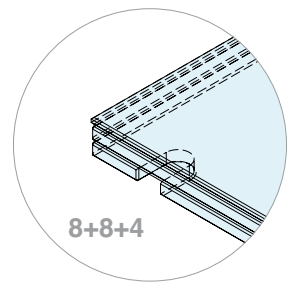
Option 2

Front insertion of the glass with shear pins in position

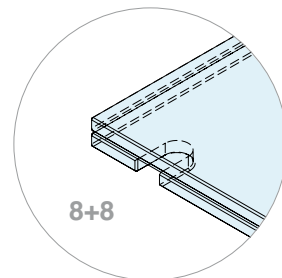
The innovative system with spring-loaded shear pins allows the glass panes to be inserted from the front. This means that shear pins can be used even in situations where access to the sides is not possible, where there are nearby walls or previously fitted panes.



10+10



8+8+4



8+8

Note: Only the lower pane of the laminated glass should be machined.

The geometry of the machining is the same for all thicknesses.

The pull-out resistance of the glass panes from the system has been assessed in texts in accordance with EAD 220025-00-0401:2016 Annex B for BR.4 "Safety and accessibility in use". The pull-out resistance test has been carried out for installations with and without shear pins. The values shown already include the safety coefficient, applied to the specific resistance values obtained in the testing phase.

Canopy Light

Charming shade

Canopy Light, the lightweight and reliable system with an industrial twist. Very straightforward to install, it fits in perfectly in all architectural settings.







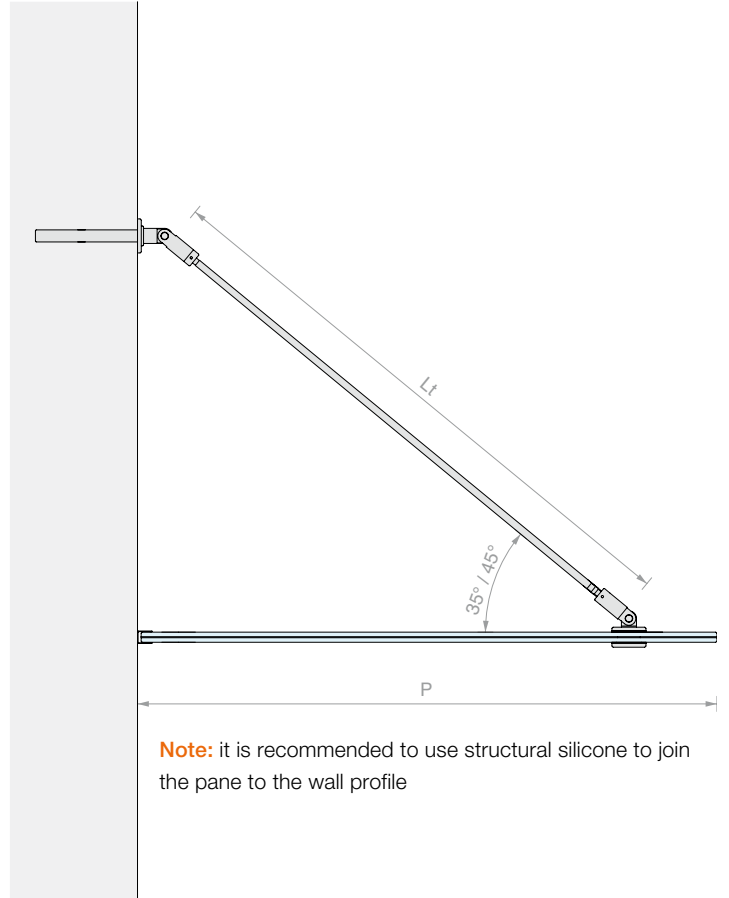
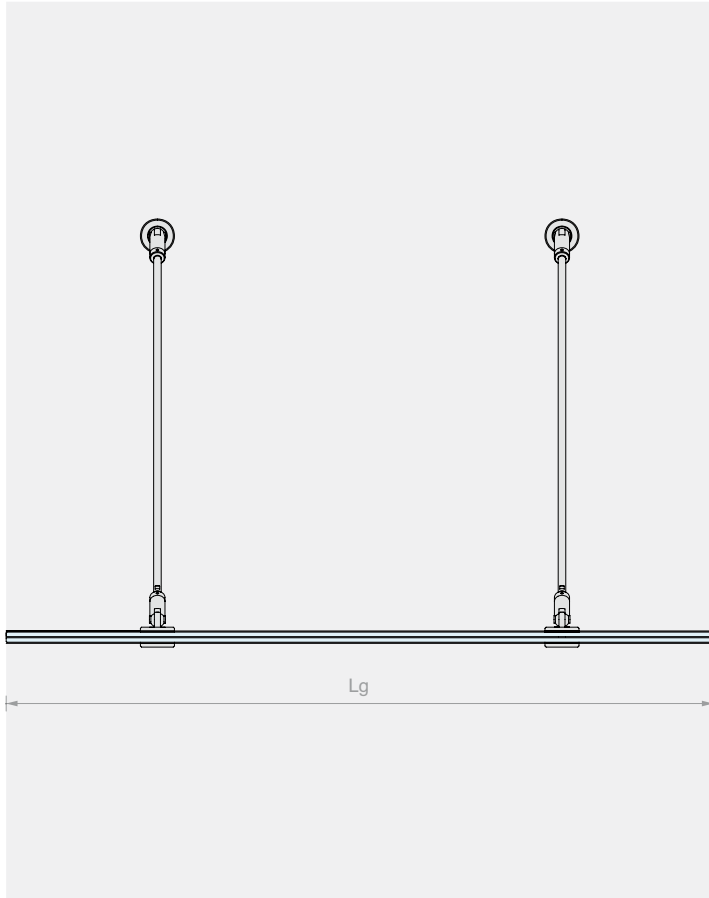
CANOPY LIGHT KIT

WITH 2 TIE RODS AND WALL PROFILE

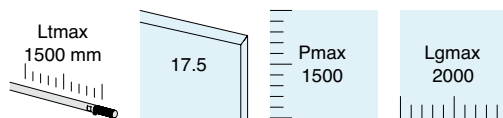
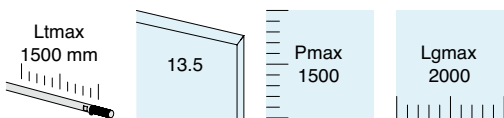
Material: AISI 316L stainless steel

Finish: /9

The kit includes the tie rod cut-to-measure



Note: it is recommended to use structural silicone to join the pane to the wall profile



Kit comprising:

Art.	Description	Qty	
GCL21	Articulated wall joint	2 Pcs	
GCL23	Tie rod	2 Pcs	
GCL15	Glass fixing	2 Pcs	
CANAL2515	Wall profile	1 Pc	
CANAL2515TP	Caps for wall profile	2 Pcs	
PROALUXG	Seal for profiles	2 m	

Kit comprising:

Art.	Description	Qty	
GCL21	Articulated wall joint	2 Pcs	
GCL23	Tie rod	2 Pcs	
GCL15	Glass fixing	2 Pcs	
CANAL2519	Wall profile	1 Pc	
CANAL2519TP	Caps for wall profile	2 Pcs	
PROALUXG	Seal for profiles	2 m	

Art.	For glass	Qty
CL-SNOD156KIT2	13.5 mm	1 Pc

Art.	For glass	Qty
CL-SNOD158KIT2	17.5 mm	1 Pc



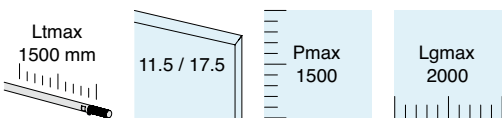
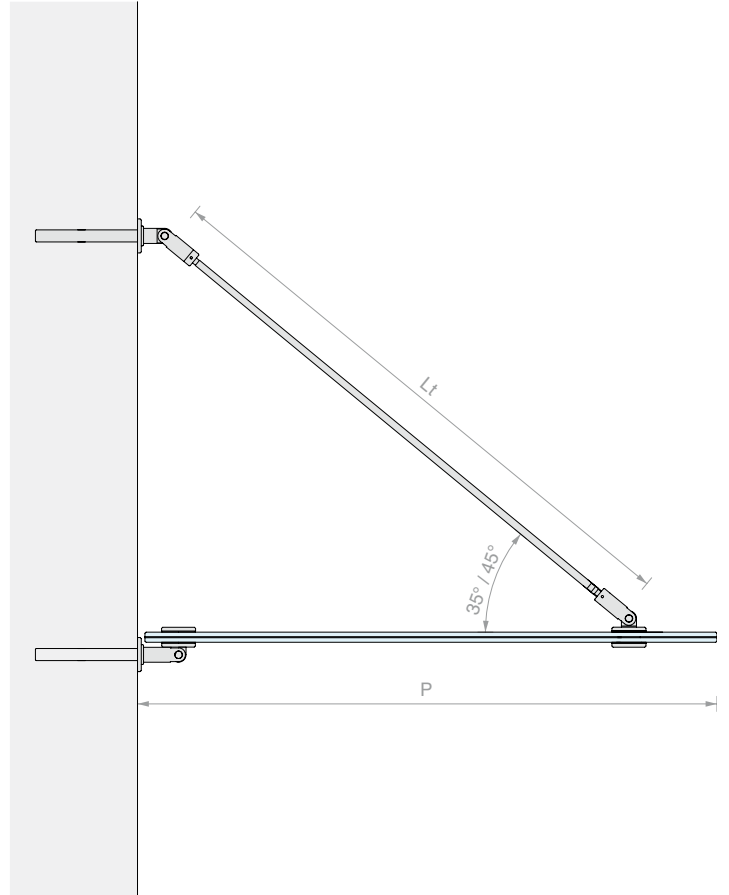
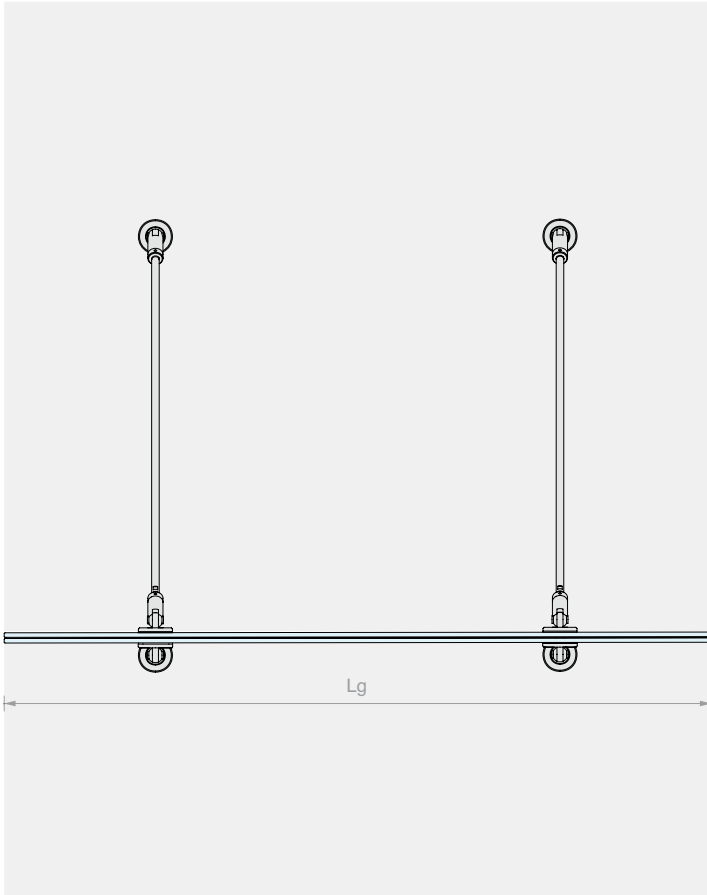
CANOPY LIGHT KIT

WITH 2 TIE RODS AND WALL CONNECTORS

Material: AISI 316L stainless steel

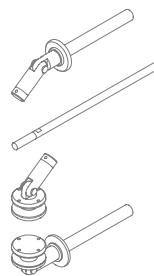
Finish: /9

The kit includes the tie rod cut-to-measure



Kit comprising:

Art.	Description	Qty
GCL21	Articulated wall joint	2 Pcs
GCL23	Tie rod	2 Pcs
GCL15	Glass fixing	2 Pcs
GCL19	Wall/glass fixing	2 Pcs



Art.	For glass	Qty
CL-CAV15KIT2	From 11.5 to 17.5 mm	1 Pc

The Canopy Light system allows for configurations with additional tie rods.
For information, please contact our Customer Care department



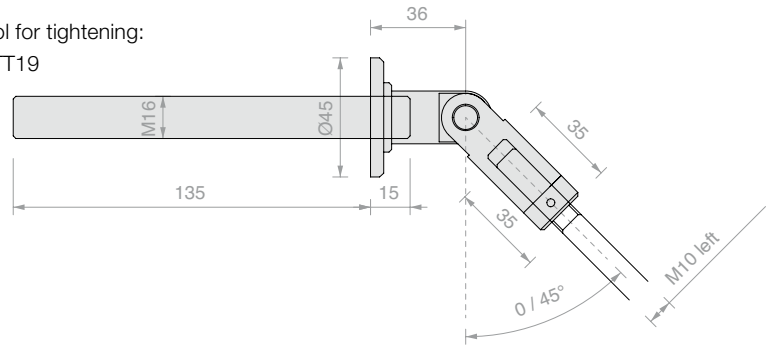
ARTICULATED WALL JOINT FOR TIE ROD

Material: AISI 316L stainless steel

Finish: /9

Recommended tool for tightening:

Art. UT250/CHSETT19



Art.

GCL21

Qty

1 Pc



GLASS FIXING FOR TIE ROD

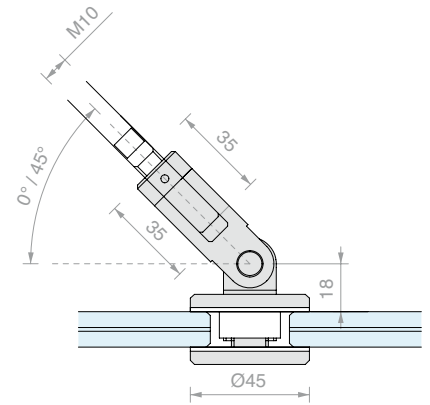
Material: AISI 316L stainless steel

Recommended glass hole size Ø30 mm

Finish: /9

Recommended tool for tightening:

Art. UT300/CHSETT19



Art.

GCL15

For glass

From 11.5 to 17.5 mm

Qty

1 Pc

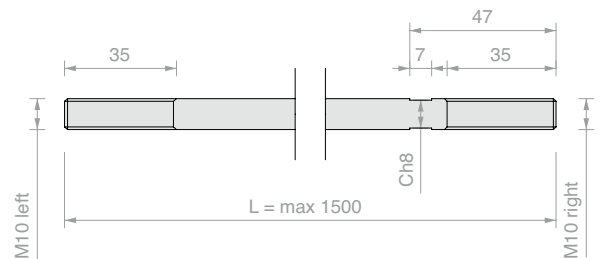


TIE ROD

Material: AISI 316L stainless steel

Finish: /8

Note: threaded on each end M10 left and M10 right



Art.

GCL23

Qty

1 Pc



WALL/GLASS FIXING

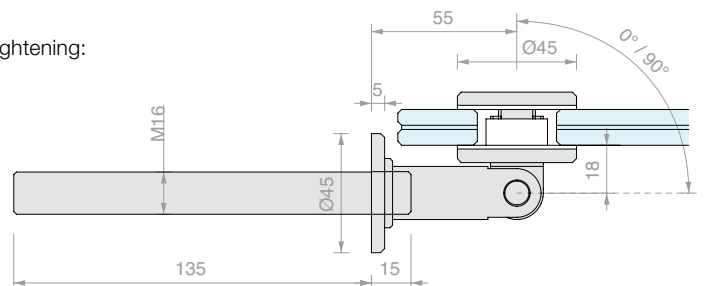
Material: AISI 316L stainless steel

Recommended glass hole size Ø30 mm

Finish: /9

Recommended tool for tightening:

Art. UT300



Art.

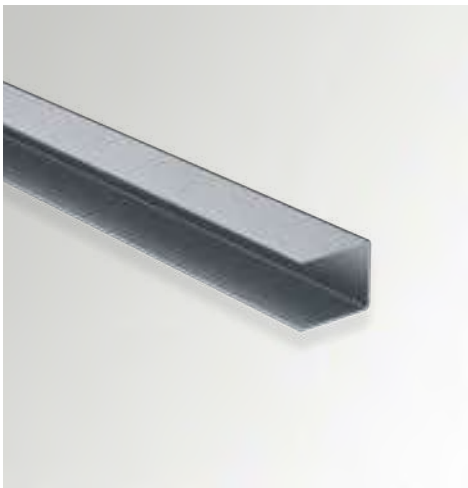
GCL19

For glass

From 11.5 to 17.5 mm

Qty

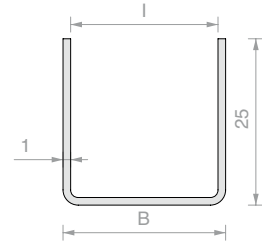
1 Pc



WALL PROFILE

Material: AISI 316L stainless steel

Finish: /8



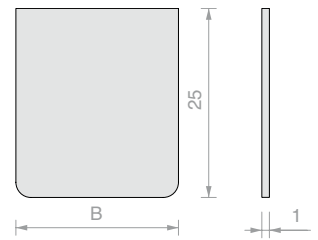
Art.	Length	B	I	For glass	Qty
CANAL2513.150	1500 mm	15.5 mm	13.5 mm	11.5 mm	1 Pc
CANAL2515.150	1500 mm	17.5 mm	15.5 mm	13.5 mm	1 Pc
CANAL2519.150	1500 mm	21.5 mm	19.5 mm	17.5 mm	1 Pc
CANAL2513.200	2000 mm	15.5 mm	13.5 mm	11.5 mm	1 Pc
CANAL2515.200	2000 mm	17.5 mm	15.5 mm	13.5 mm	1 Pc
CANAL2519.200	2000 mm	21.5 mm	19.5 mm	17.5 mm	1 Pc



FINISHING CAP FOR CANAL25

Material: AISI 316L stainless steel

Finish: /8



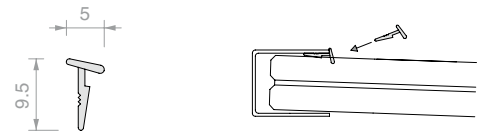
Art.	B	Qty
CANAL2513TP	15.5 mm	1 Pc
CANAL2515TP	17.5 mm	1 Pc
CANAL2519TP	21.5 mm	1 Pc



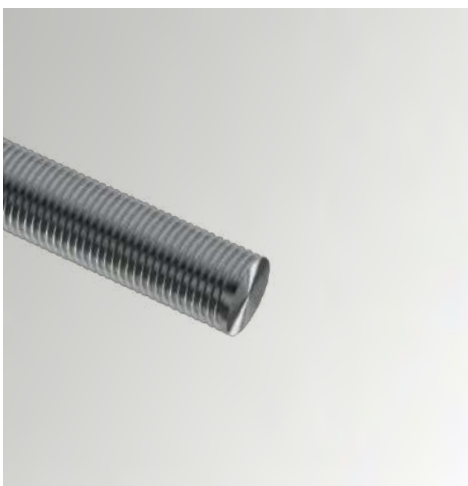
GASKET FOR PROFILES

Material: Co-extruded PVC

Colour: transparent

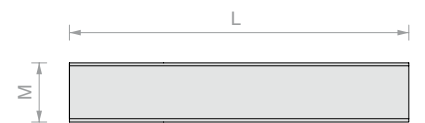


Art.	Description	Qty
PROALUXG	-	1 m
PROALUXG400	400 m roll	1 Pc



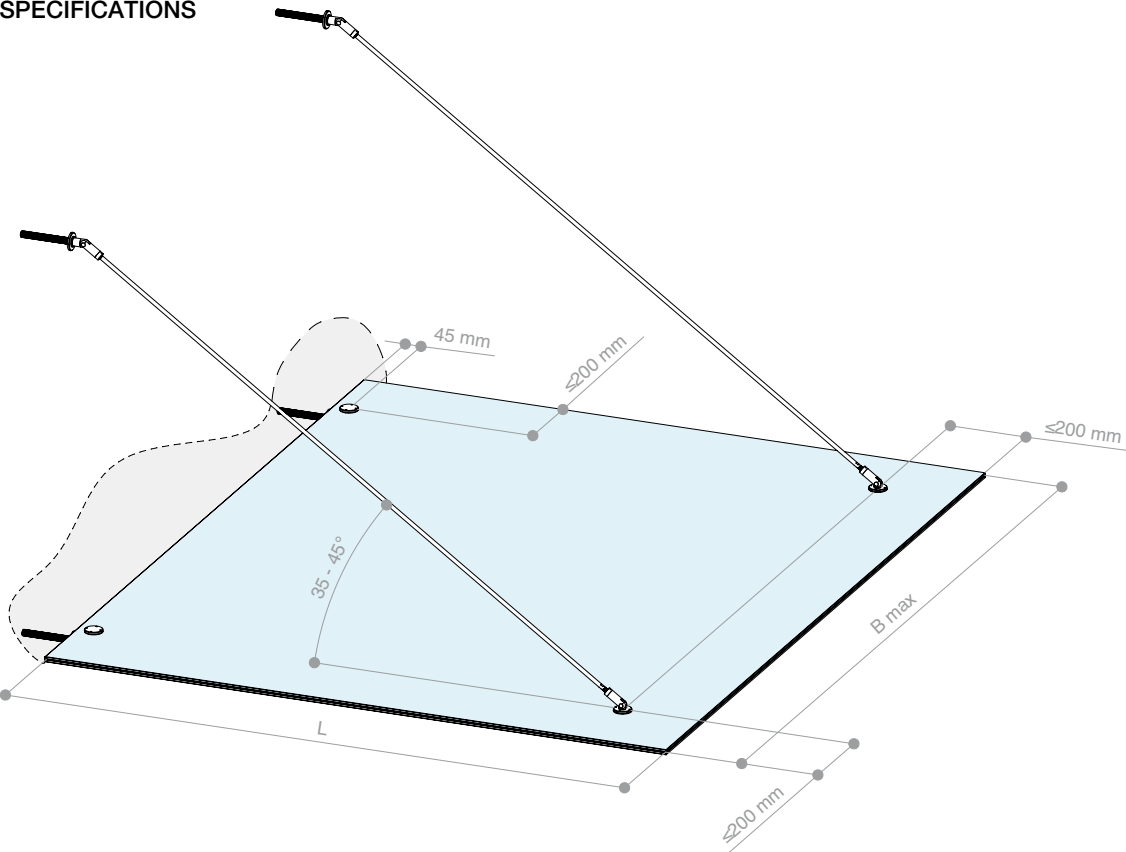
CUSTOMIZED THREADED ROD

Material: AISI 316L stainless steel

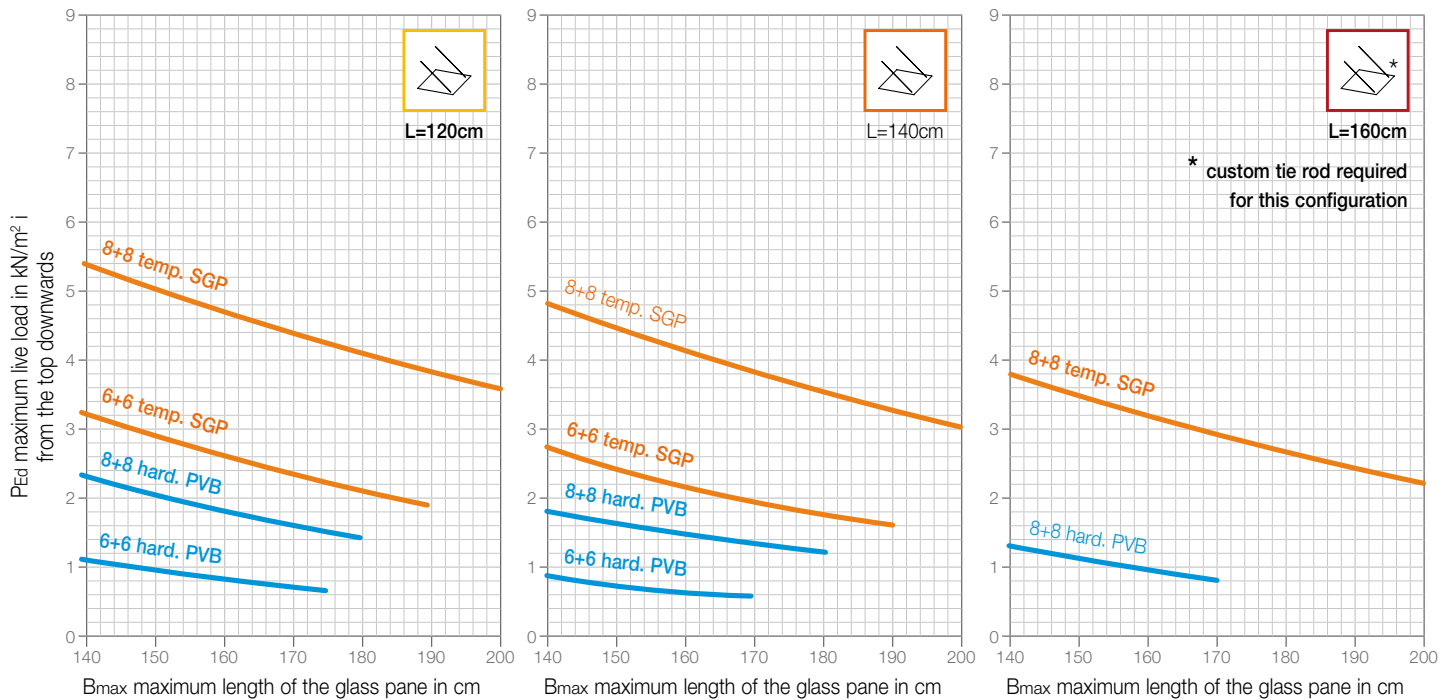


Art.	L	M	Qty
BARRAFIL-MIS	≤ 1000 mm	M16/M22	1 Pc

TECHNICAL SPECIFICATIONS



PERFORMANCE - SIZING FOR SNOW LOAD

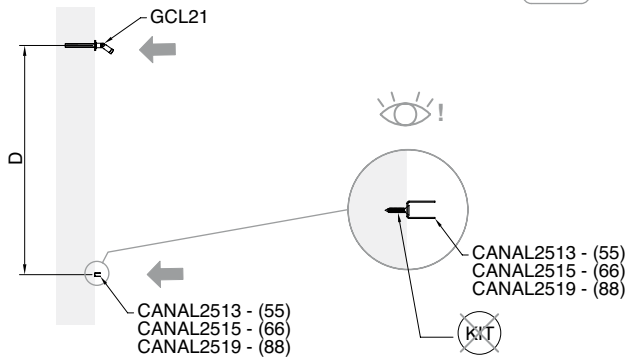


The maximum design load P_{Ed} refers to the sum of all variable loads acting downwards, including the associated safety and combination coefficients. The weight of the glass pane itself is always taken into account and does not need to be added. The data shown for the point fixings of the wall side pane can be considered in relation to wall fixing via a continuous profile, fitted using structural silicone. The results are shown for hardened laminated glass EN 1863, double layer with PVB 1.52 mm interlayer or tempered EN 12150-1 double layer with SentryGlas® rigid 1.52 mm interlayer. The configurations of the glass and the interlayers are provided by way of example and are not exhaustive of all installation possibilities: indeed, there are numerous alternative solutions known and in use on the market which have equal or potentially better performance levels in a wide range of important technical aspects (e.g. resistance to de-lamination, post-rupture behaviour, stability versus temperature variations, etc.).

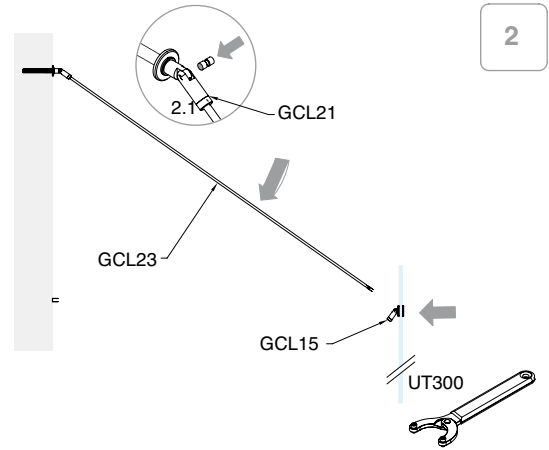
Note: the final assessment of the compliance of the system with the safety requirements remains a matter for the qualified engineer to assess, who will be able to verify the applicability of the data provided for the actual installation conditions, the conformity of the system for fastening to the load-bearing structure and the system's compliance with global safety requirements and those specific to the installation site (loads, support properties, exceptional loads, etc.). Detailed information about the design of the system is available online on our website or can be requested by contacting the Logli Saint-Gobain customer care technical department.

CL-SNOD156KIT2
CL-SNOD158KIT2

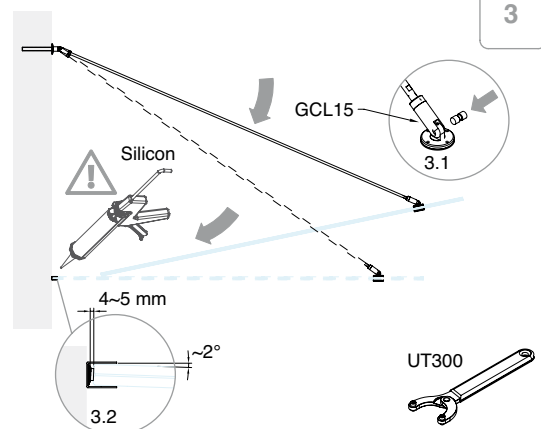
1



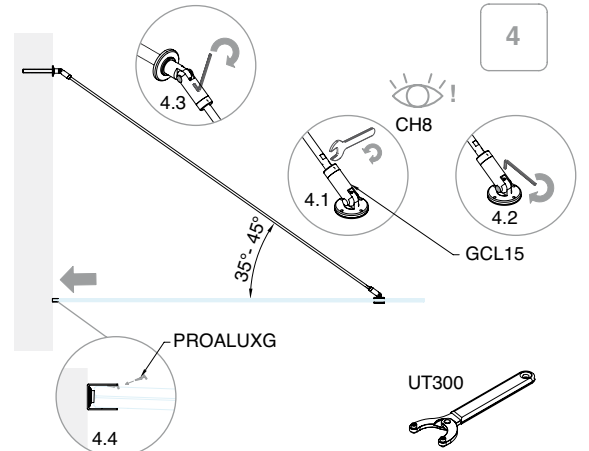
2



3

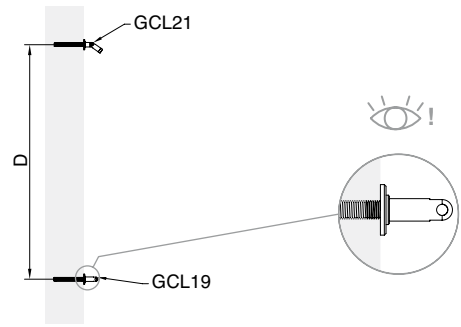


4

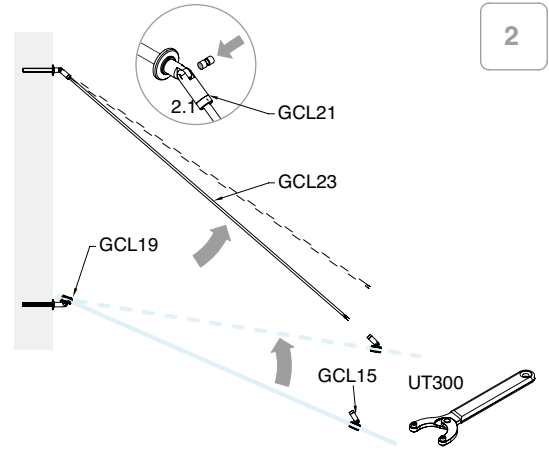


CL-CAV15KIT2

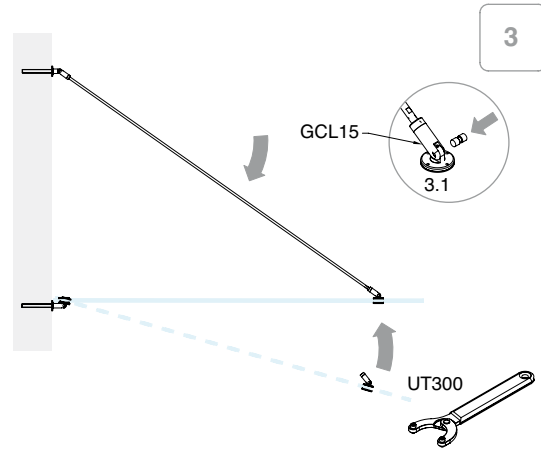
1



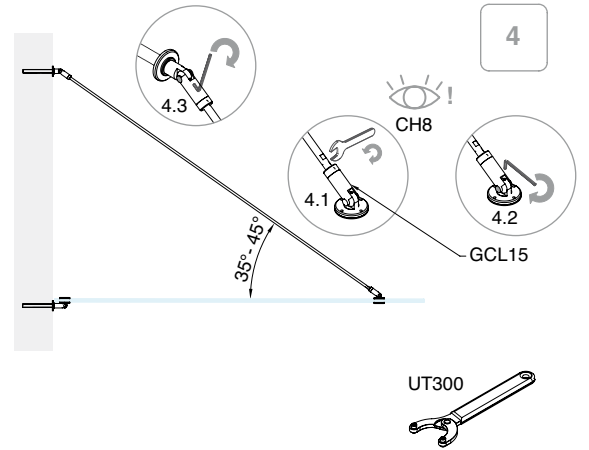
2



3



4



Glass Canopy

Sophisticated dwelling

With its timeless style and impact, Glass Canopy blends splendour and refinement in a system which has been created to meet all design needs, even the most complex ones.







GLASS CANOPY KIT

WITH 2 TIE RODS AND WALL PROFILE

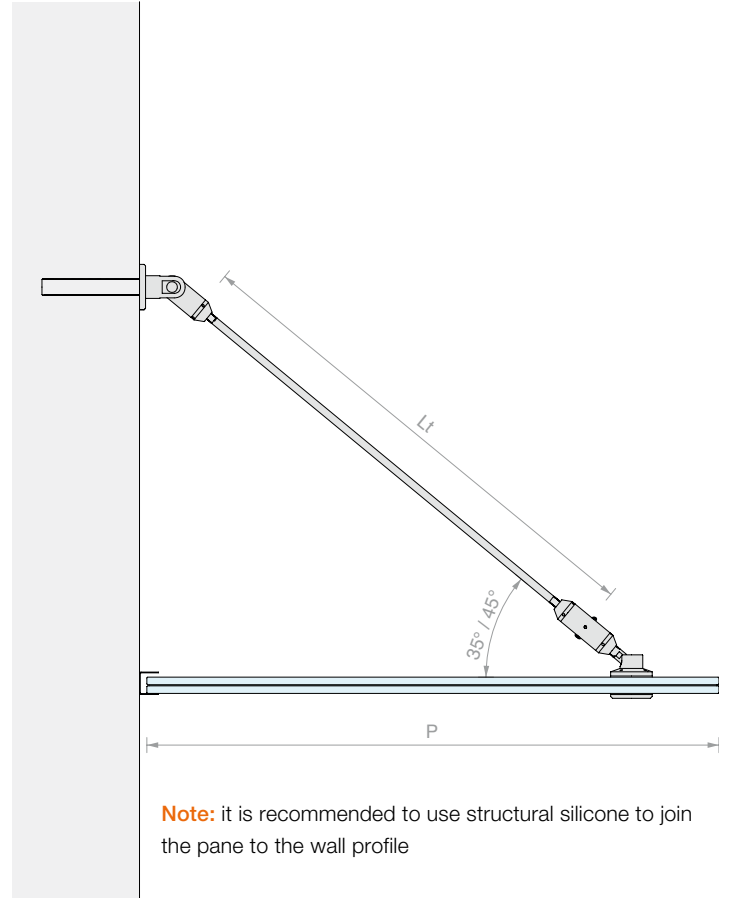
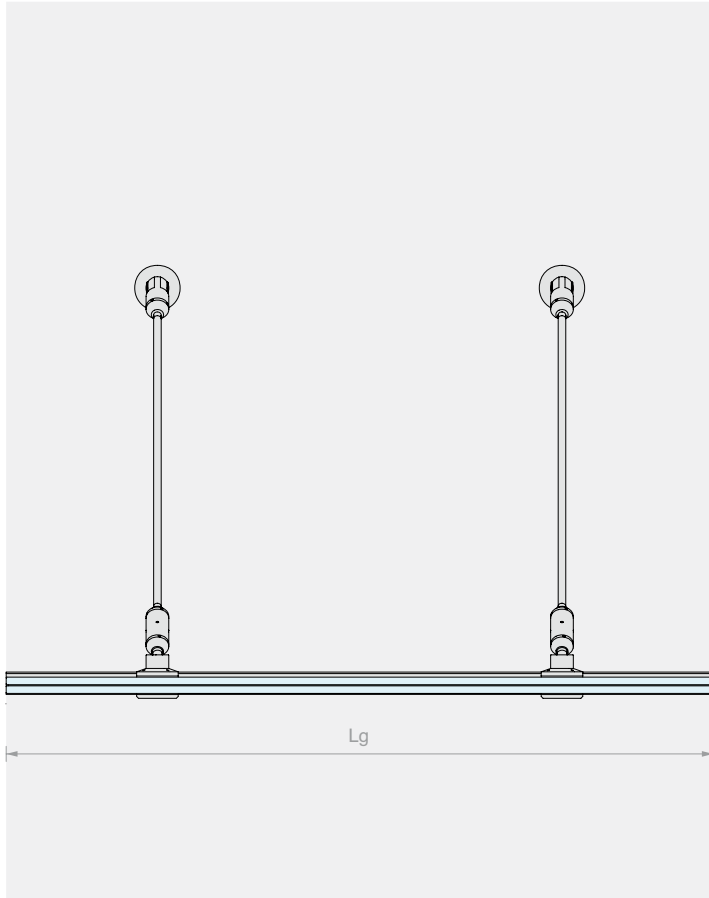
Material: AISI 316L stainless steel

Finish: /9

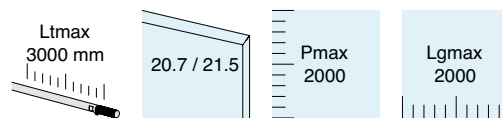
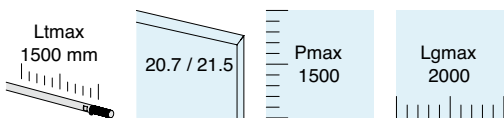
The kit includes the tie rod cut-to-measure

The Glass Canopy system allows for configurations with additional tie rods.

For information, please contact our Customer Care department

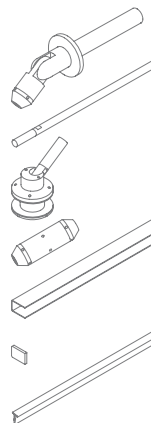


Note: it is recommended to use structural silicone to join the pane to the wall profile



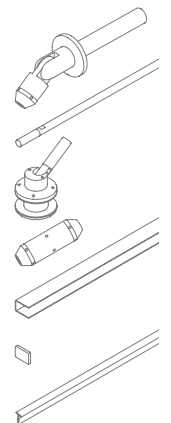
Kit comprising:

Art.	Description	Qty
GC-SNOD143	Articulated wall joint	2 Pcs
GC-CAV100	Tie rod	2 Pcs
GC-ROT145	45° rotule joint	2 Pcs
GC-TEND130	Tensioner	2 Pcs
CANAL2523	Wall profile	1 Pc
CANAL2523TP	Caps for wall profile	2 Pcs
PROALUXG	Seal for profiles	2 m



Kit comprising:

Art.	Description	Qty
GC-SNOD143	Articulated wall joint	2 Pcs
GC-CAV300	Tie rod	2 Pcs
GC-ROT145	45° rotule joint	2 Pcs
GC-TEND130	Tensioner	2 Pcs
CANAL2523	Wall profile	1 Pc
CANAL2523TP	Caps for wall profile	2 Pcs
PROALUXG	Seal for profiles	2 m

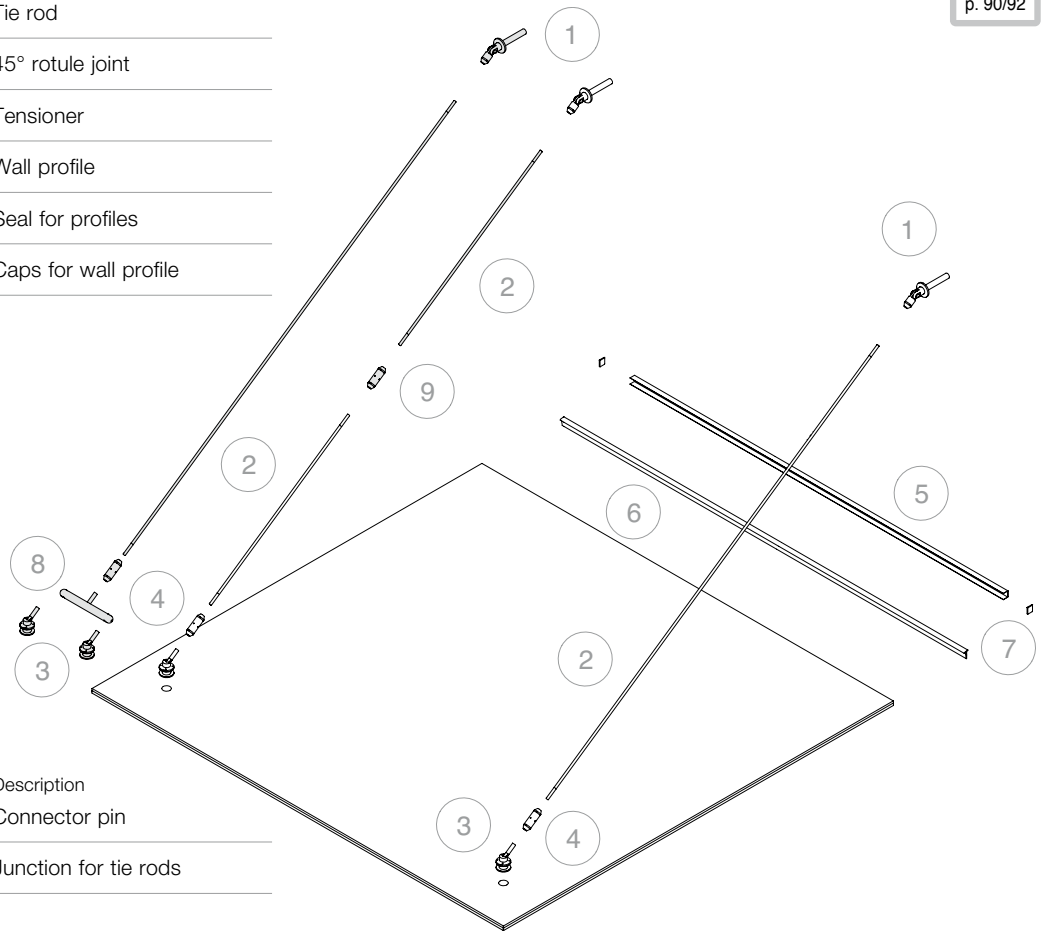


Art.	For glass	Qty
GC-SNOD1510KIT2	From 20.7 to 21.5 mm	1 Pc

Art.	For glass	Qty
GC-SNOD3010KIT2	From 20.7 to 21.5 mm	1 Pc

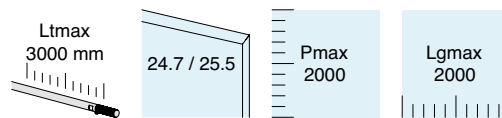
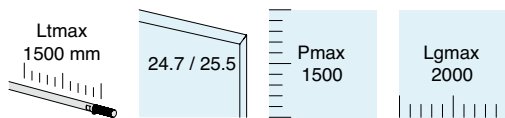


No.	Art.	Description
1	GC-SNOD143	Articulated wall joint
2	GC-CAV100/GC-CAV300	Tie rod
3	GC-ROT145	45° rotule joint
4	GC-TEND130	Tensioner
5	CANAL2523/CANAL2527	Wall profile
6	PROALUXG	Seal for profiles
7	CANAL2523TP/CANAL2527TP	Caps for wall profile



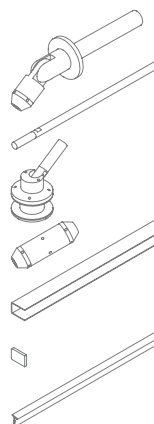
Optional:

No.	Art.	Description
8	GC-PERN270	Connector pin
9	GC-GZT130	Junction for tie rods



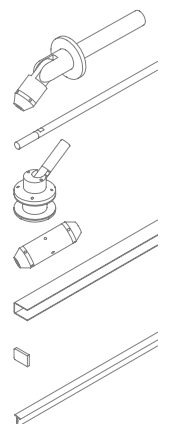
Kit comprising:

Art.	Description	Qty
GC-SNOD143	Articulated wall joint	2 Pcs
GC-CAV100	Tie rod	2 Pcs
GC-ROT145	45° rotule joint	2 Pcs
GC-TEND130	Tensioner	2 Pcs
CANAL2527	Wall profile	1 Pc
CANAL2527TP	Caps for wall profile	2 Pcs
PROALUXG	Seal for profiles	2 m



Kit comprising:

Art.	Description	Qty
GC-SNOD143	Articulated wall joint	2 Pcs
GC-CAV300	Tie rod	2 Pcs
GC-ROT145	45° rotule joint	2 Pcs
GC-TEND130	Tensioner	2 Pcs
CANAL2527	Wall profile	1 Pc
CANAL2527TP	Caps for wall profile	2 Pcs
PROALUXG	Seal for profiles	2 m



Art.	For glass	Qty
GC-SNOD1512KIT2	From 24.7 to 25.5 mm	1 Pc

Art.	For glass	Qty
GC-SNOD3012KIT2	From 24.7 to 25.5 mm	1 Pc

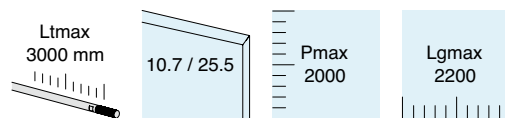
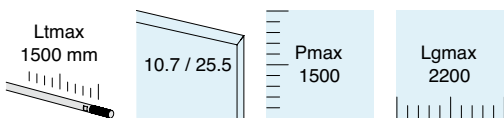
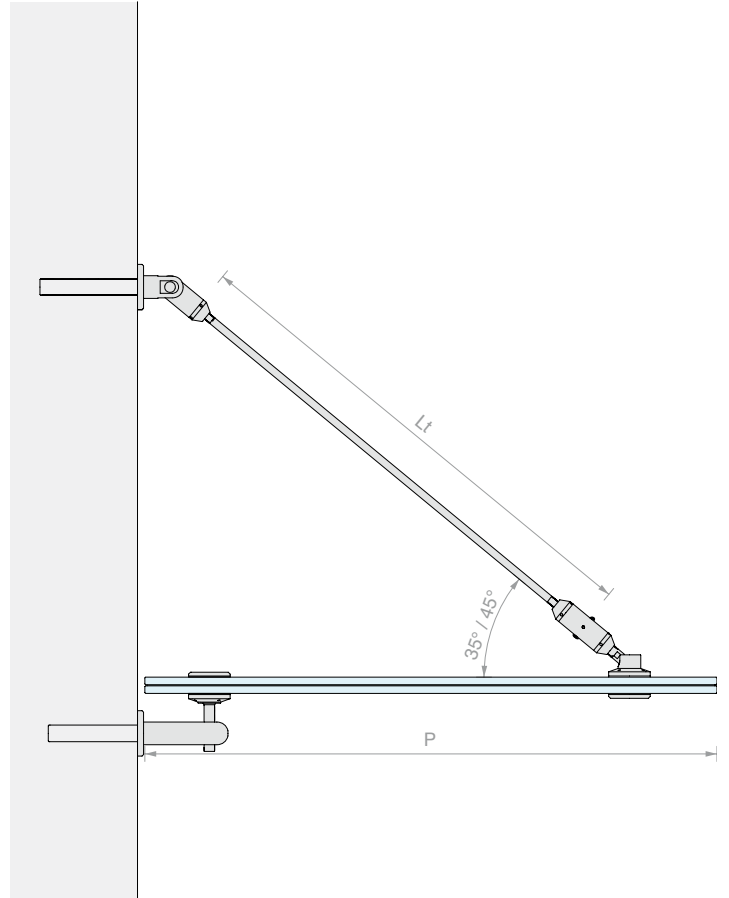
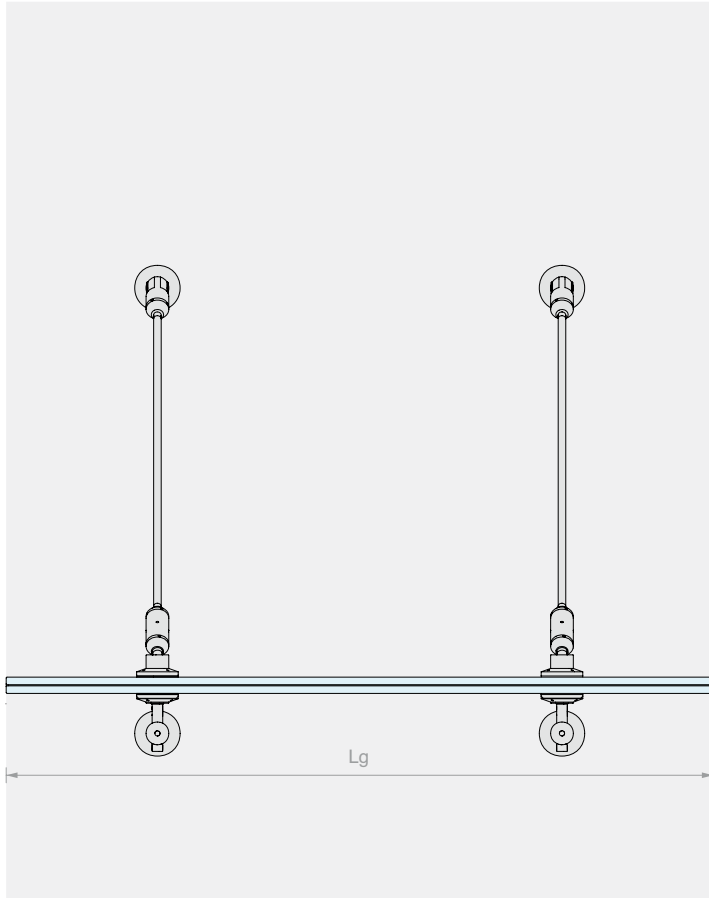
**GLASS CANOPY KIT**

WITH 2 TIE RODS AND WALL CONNECTORS

Material: AISI 316L stainless steel

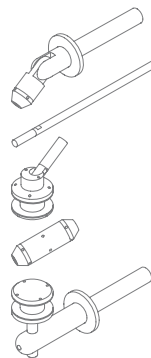
Finish: /9

The kit includes the tie rod cut-to-measure



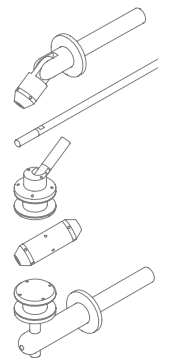
Kit comprising:

Art.	Description	Qty
GC-SNOD143	Articulated wall joint	2 Pcs
GC-CAV100	Tie rod	2 Pcs
GC-ROT145	45° rotule joint	2 Pcs
GC-TEND130	Tensioner	2 Pcs
GC-PEROUT162	Wall/glass fixing	2 Pcs



Kit comprising:

Art.	Description	Qty
GC-SNOD143	Articulated wall joint	2 Pcs
GC-CAV300	Tie rod	2 Pcs
GC-ROT145	45° rotule joint	2 Pcs
GC-TEND130	Tensioner	2 Pcs
GC-PEROUT162	Wall/glass fixing	2 Pcs

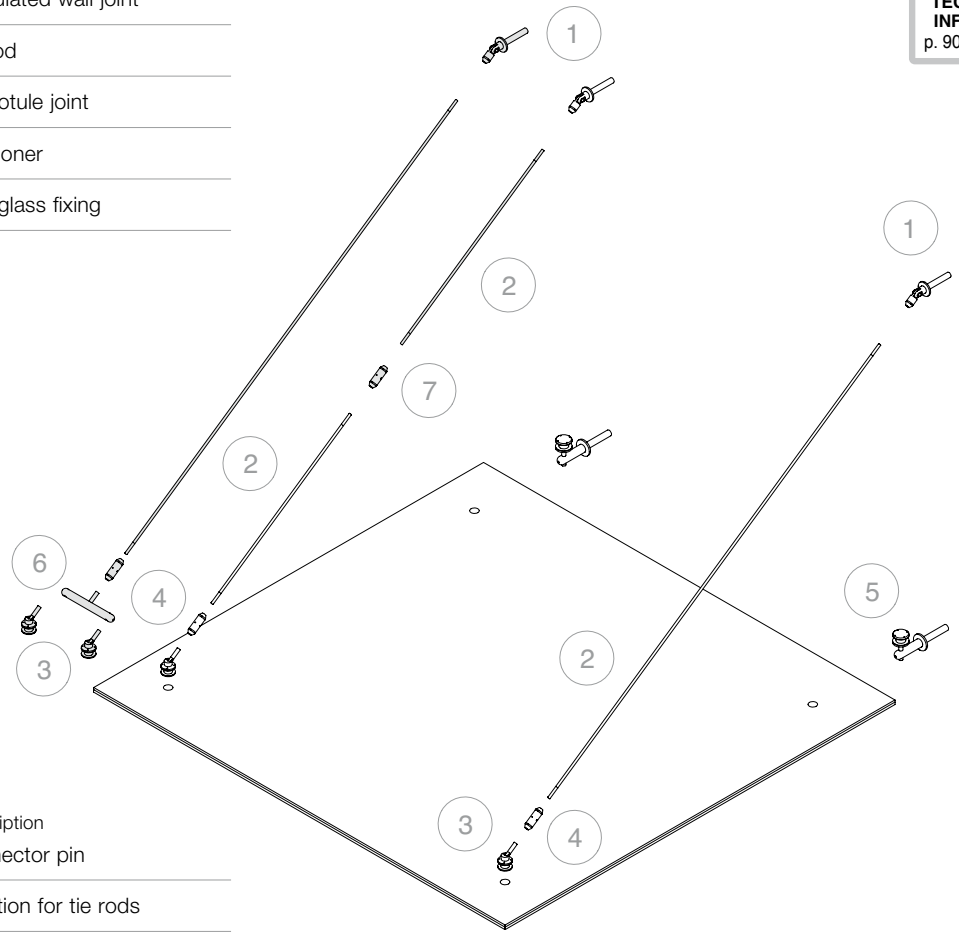


Art.	For glass	Qty
GC-CAV15KIT2	From 10.7 to 25.5 mm	1 Pc

Art.	For glass	Qty
GC-CAV30KIT2	From 10.7 to 25.5 mm	1 Pc



No.	Art.	Description
1	GC-SNOD143	Articulated wall joint
2	GC-CAV100/GC-CAV300	Tie rod
3	GC-ROT145	45° rotule joint
4	GC-TEND130	Tensioner
5	GC-PEROUT162	Wall/glass fixing



Optional:

No.	Art.	Description
6	GC-PERN270	Connector pin
7	GC-GZT130	Junction for tie rods

The Glass Canopy system allows for configurations with additional tie rods. For information, please contact our Customer Care department



GLASS CANOPY KIT

WITH 3 TIE RODS AND WALL PROFILE

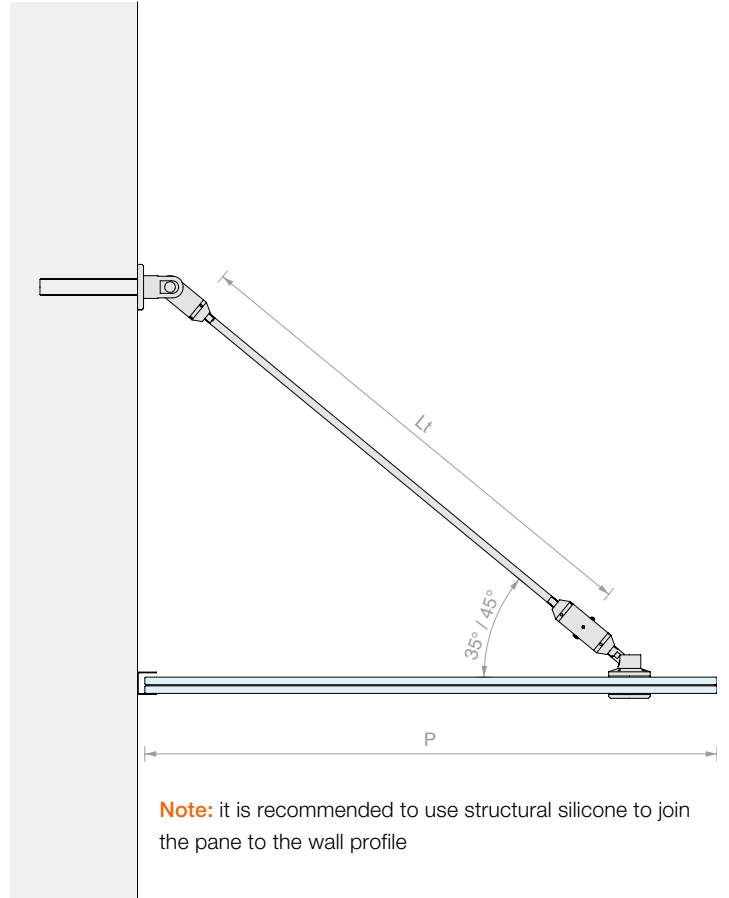
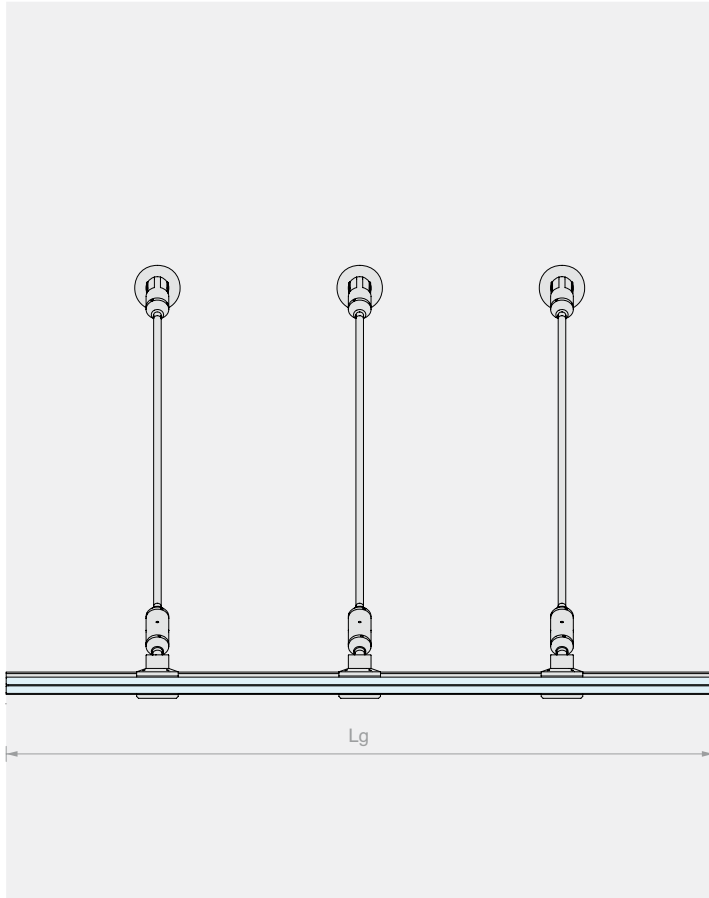
Material: AISI 316L stainless steel

Finish: /9

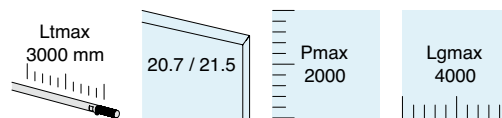
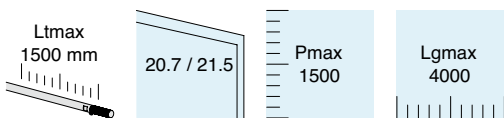
The kit includes the tie rod cut-to-measure

The Glass Canopy system allows for configurations with additional tie rods.

For information, please contact our Customer Care department



Note: it is recommended to use structural silicone to join the pane to the wall profile



Kit comprising:

Art.	Description	Qty	
GC-SNOD143	Articulated wall joint	3 Pcs	
GC-CAV100	Tie rod	3 Pcs	
GC-ROT145	45° rotule joint	3 Pcs	
GC-TEND130	Tensioner	3 Pcs	
CANAL2523	Wall profile	2 Pcs	
CANAL2523TP	Caps for wall profile	2 Pcs	
PROALUXG	Seal for profiles	4 m	

Kit comprising:

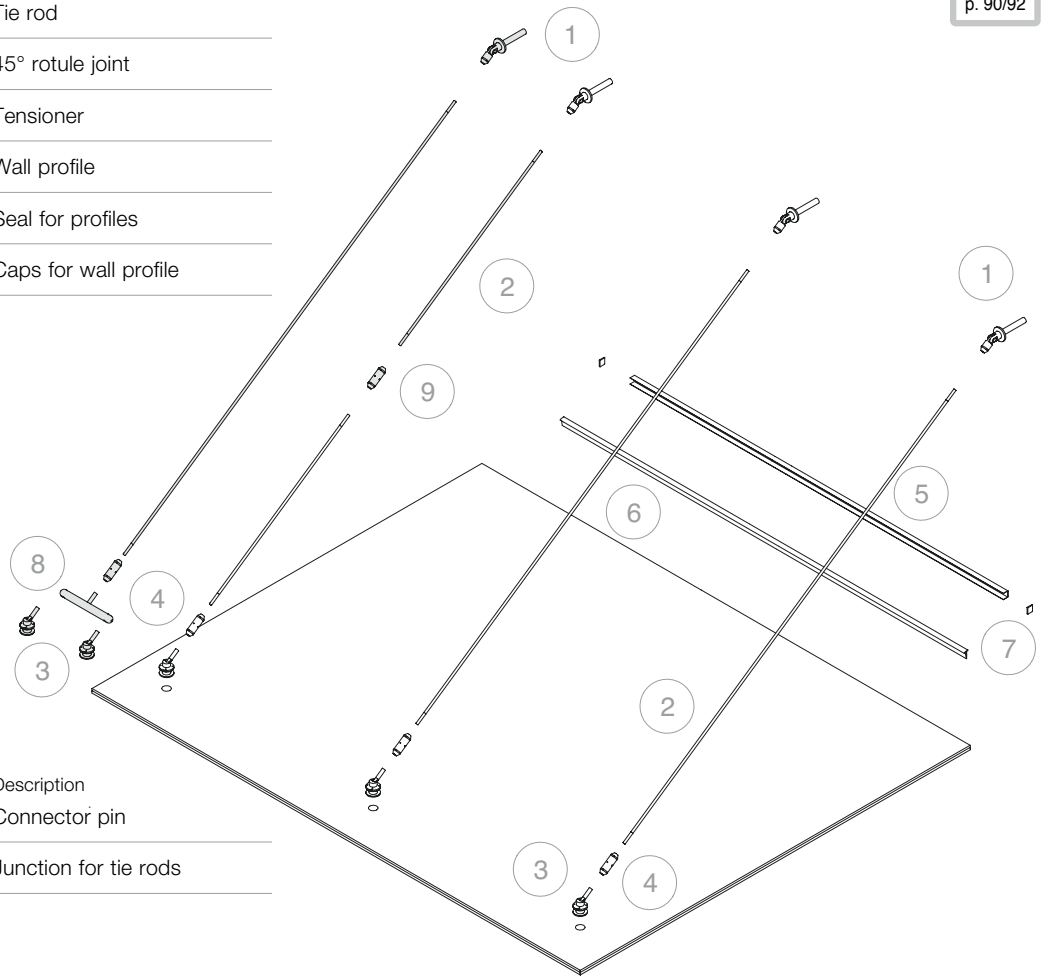
Art.	Description	Qty	
GC-SNOD143	Articulated wall joint	3 Pcs	
GC-CAV300	Tie rod	3 Pcs	
GC-ROT145	45° rotule joint	3 Pcs	
GC-TEND130	Tensioner	3 Pcs	
CANAL2523	Wall profile	2 Pcs	
CANAL2523TP	Caps for wall profile	2 Pcs	
PROALUXG	Seal for profiles	4 m	

Art.	For glass	Qty
GC-SNOD1510KIT3	From 20.7 to 21.5 mm	1 Pc

Art.	For glass	Qty
GC-SNOD3010KIT3	From 20.7 to 21.5 mm	1 Pc

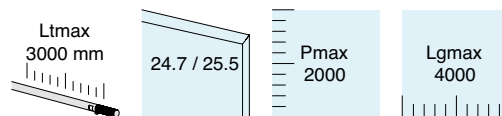
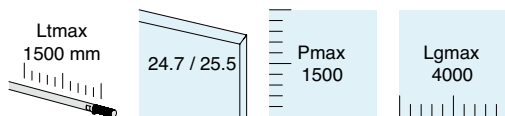


No.	Art.	Description
1	GC-SNOD143	Articulated wall joint
2	GC-CAV100/GC-CAV300	Tie rod
3	GC-ROT145	45° rotule joint
4	GC-TEND130	Tensioner
5	CANAL2523/CANAL2527	Wall profile
6	PROALUXG	Seal for profiles
7	CANAL2523TP/CANAL2527TP	Caps for wall profile



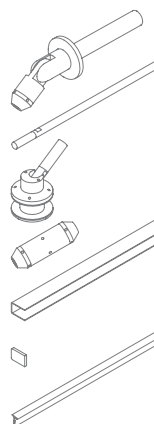
Optional:

No.	Art.	Description
8	GC-PERN270	Connector pin
9	GC-GZT130	Junction for tie rods



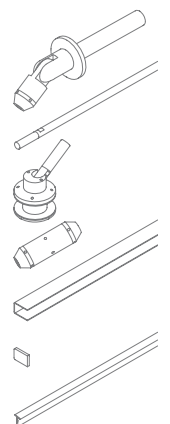
Kit comprising:

Art.	Description	Qty
GC-SNOD143	Articulated wall joint	3 Pcs
GC-CAV100	Tie rod	3 Pcs
GC-ROT145	45° rotule joint	3 Pcs
GC-TEND130	Tensioner	3 Pcs
CANAL2527	Wall profile	2 Pcs
CANAL2527TP	Caps for wall profile	2 Pcs
PROALUXG	Seal for profiles	4 m



Kit comprising:

Art.	Description	Qty
GC-SNOD143	Articulated wall joint	3 Pcs
GC-CAV300	Tie rod	3 Pcs
GC-ROT145	45° rotule joint	3 Pcs
GC-TEND130	Tensioner	3 Pcs
CANAL2527	Wall profile	2 Pcs
CANAL2527TP	Caps for wall profile	2 Pcs
PROALUXG	Seal for profiles	4 m



Art.	For glass	Qty
GC-SNOD1512KIT3	From 24.7 to 25.5 mm	1 Pc

Art.	For glass	Qty
GC-SNOD3012KIT3	From 24.7 to 25.5 mm	1 Pc



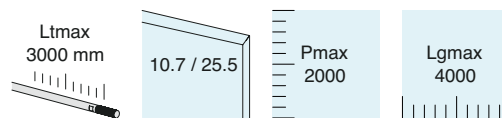
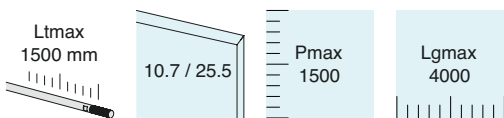
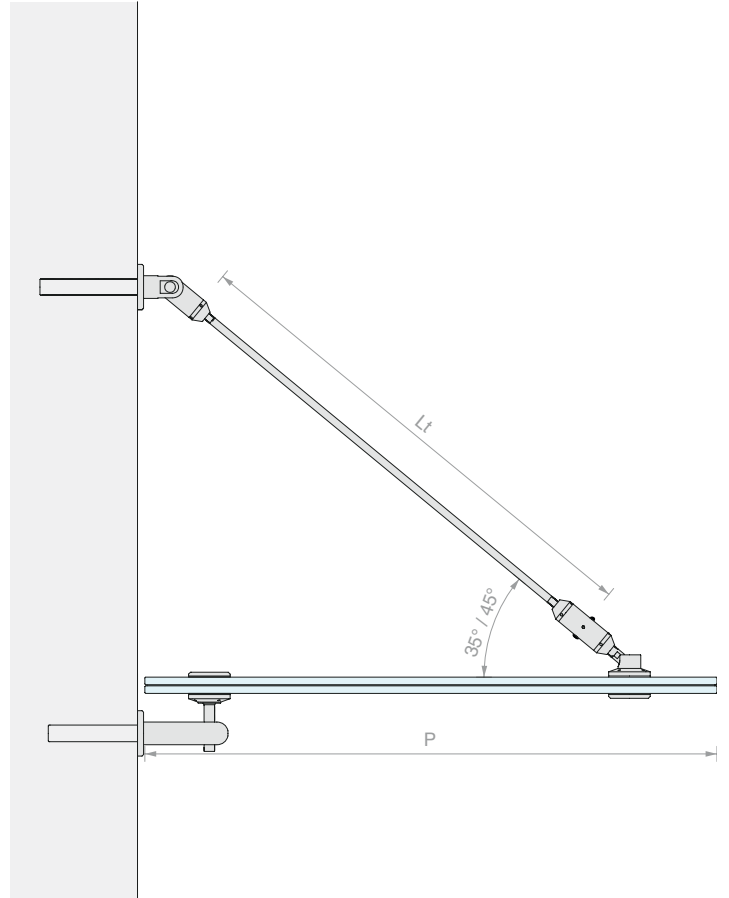
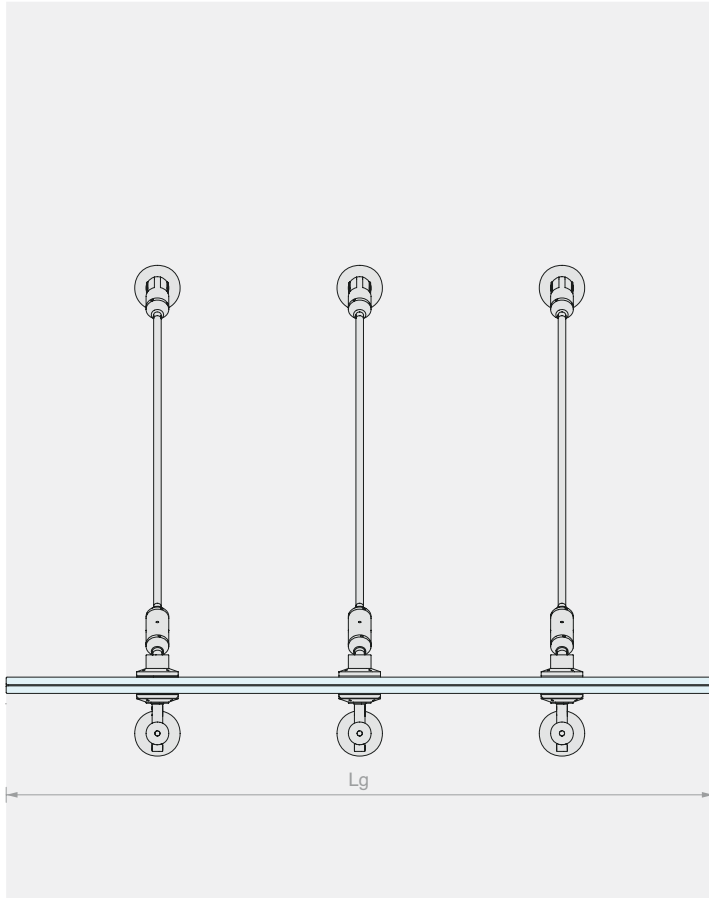
GLASS CANOPY KIT

WITH 3 TIE RODS AND WALL CONNECTORS

Material: AISI 316L stainless steel

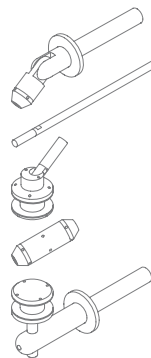
Finish: /9

The kit includes the tie rod cut-to-measure



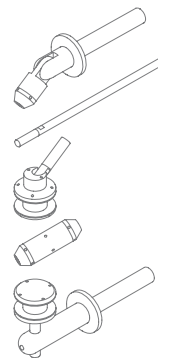
Kit comprising:

Art.	Description	Qty
GC-SNOD143	Articulated wall joint	3 Pcs
GC-CAV100	Tie rod	3 Pcs
GC-ROT145	45° rotule joint	3 Pcs
GC-TEND130	Tensioner	3 Pcs
GC-PEROUT162	Wall/glass fixing	3 Pcs



Kit comprising:

Art.	Description	Qty
GC-SNOD143	Articulated wall joint	3 Pcs
GC-CAV300	Tie rod	3 Pcs
GC-ROT145	45° rotule joint	3 Pcs
GC-TEND130	Tensioner	3 Pcs
GC-PEROUT162	Wall/glass fixing	3 Pcs

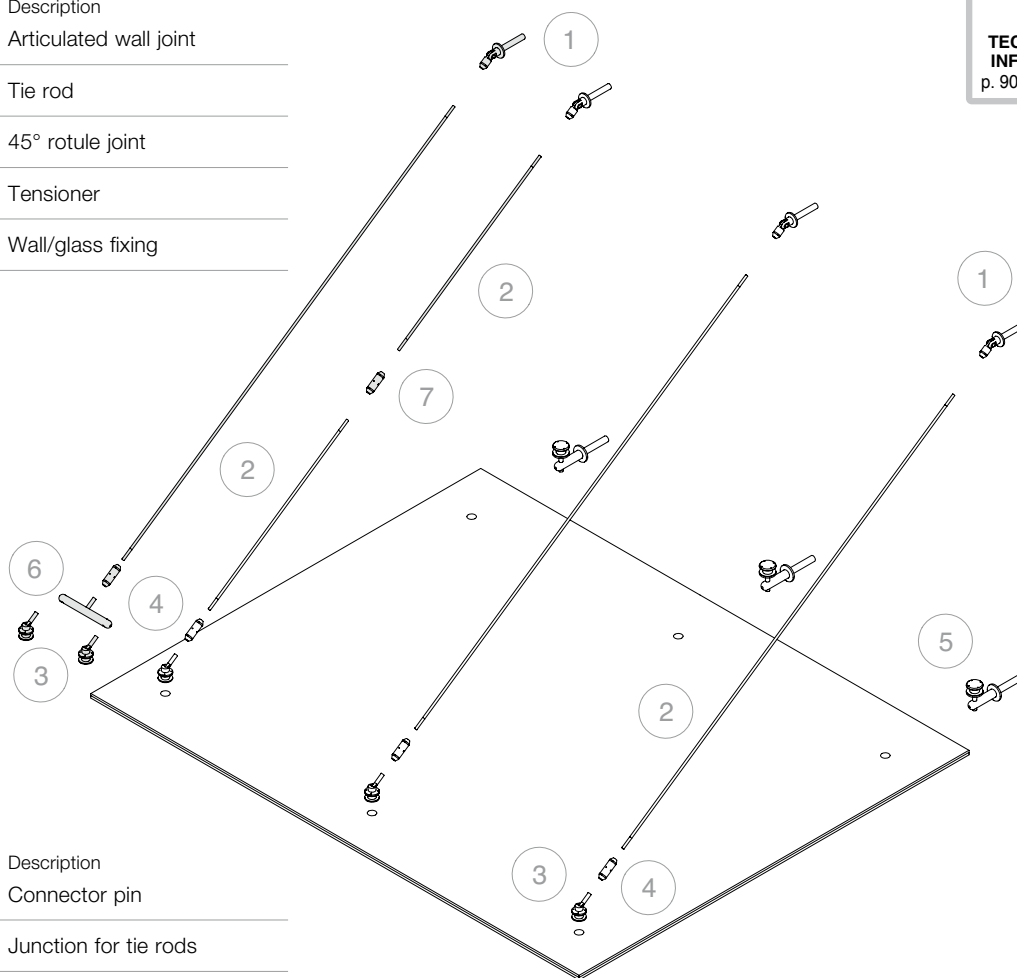


Art.	For glass	Qty
GC-CAV15KIT3	From 10.7 to 25.5 mm	1 Pc

Art.	For glass	Qty
GC-CAV30KIT3	From 10.7 to 25.5 mm	1 Pc



No.	Art.	Description
1	GC-SNOD143	Articulated wall joint
2	GC-CAV100/GC-CAV300	Tie rod
3	GC-ROT145	45° rotule joint
4	GC-TEND130	Tensioner
5	GC-PEROUT162	Wall/glass fixing



Optional:

No.	Art.	Description
6	GC-PERN270	Connector pin
7	GC-GZT130	Junction for tie rods

The Glass Canopy system allows for configurations with additional tie rods. For information, please contact our Customer Care department

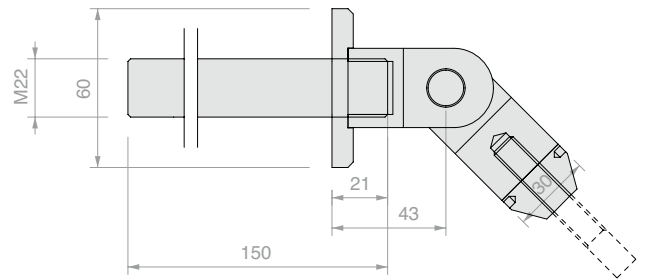
**ARTICULATED WALL JOINT FOR TIE ROD**

Material: AISI 316L stainless steel

Finish: /9

Recommended tool for tightening:

Art. CHSETT19



Art.

GC-SNOD143

Qty

1 Pc

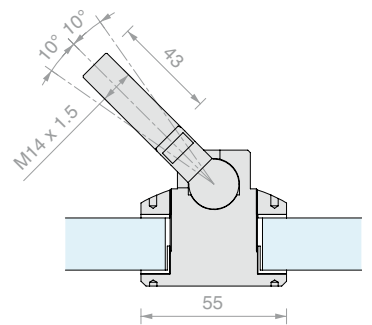
**ARTICULATED 45° ROTULE JOINT**

Material: AISI 316L stainless steel

Recommended glass hole size Ø36 mm

Finish: /9

Recommended tool for tightening: Art. UT300



Art.

GC-ROT145

For glass

From 10 to 25.5 mm

Qty

1 Pc

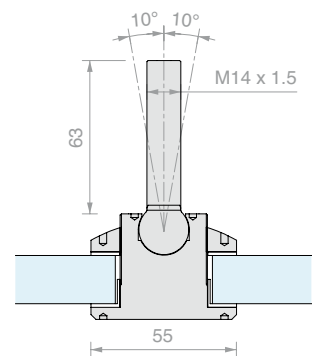
**ARTICULATED ROTULE JOINT**

Material: AISI 316L stainless steel

Recommended glass hole size Ø36 mm

Finish: /9

Recommended tool for tightening: Art. UT300



Art.

GC-ROT101

For glass

From 10 to 25.5 mm

Qty

1 Pc

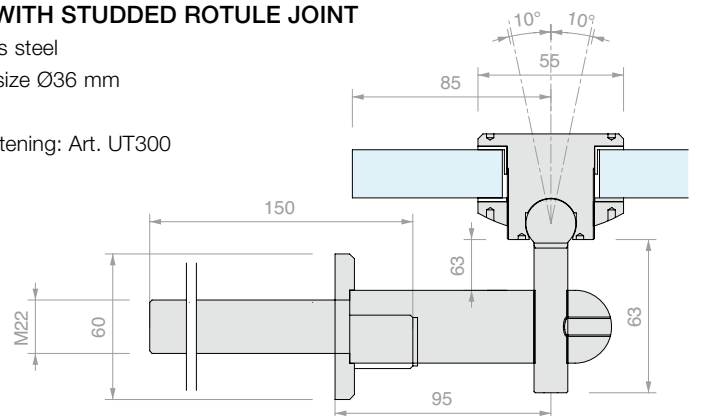
**WALL/GLASS FIXING WITH STUDED ROTULE JOINT**

Material: AISI 316L stainless steel

Recommended glass hole size Ø36 mm

Finish: /9

Recommended tool for tightening: Art. UT300



Art.

GC-PEROUT162

For glass

From 10 to 25.5 mm

Qty

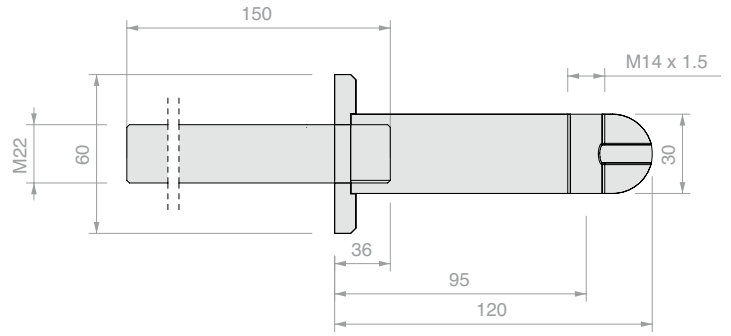
1 Pc



WALL CONNECTOR

Material: AISI 316L stainless steel

Finish: /9



Art.		Qty
GC-PERN120		1 Pc

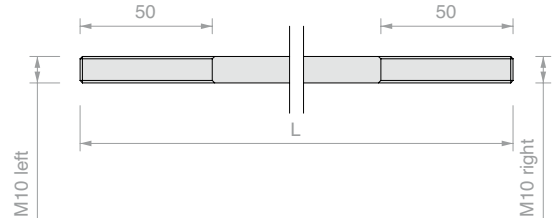


TIE ROD

Material: AISI 316L stainless steel

Finish: /9

To join tie rods longer than 3 metres use Art.: GC-GZT130



Art.	L	Qty
GC-CAV100	≤ 1500 mm	1 Pc
GC-CAV300	From 1500 to 3000 mm	1 Pc



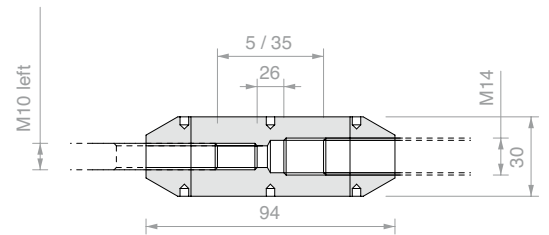
TENSIONER FOR TIE ROD

Material: AISI 316L stainless steel

Finish: /9

Recommended tool for tightening:

Art. CHSETT19



Art.		Qty
GC-TEND130		1 Pc



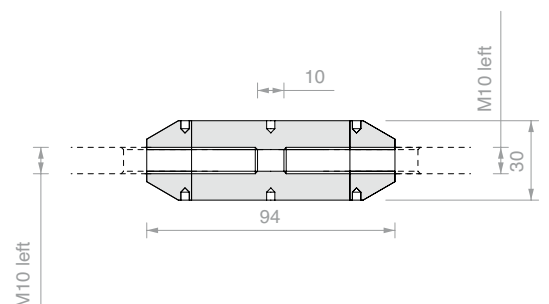
JUNCTION FOR TIE RODS

Material: AISI 316L stainless steel

Finish: /9

Recommended tool for tightening:

Art. CHSETT19

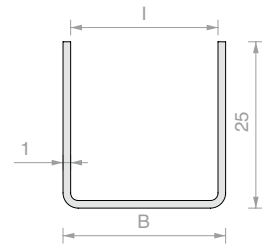


Art.		Qty
GC-GZT130		1 Pc

**WALL PROFILE**

Material: AISI 316L stainless steel

Finish: /8

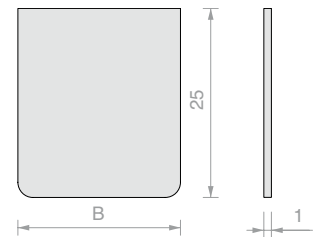


Art.	Length	B	I	For glass	Qty
CANAL2523.150	1500 mm	25.5 mm	23.5 mm	20.7/21.5 mm	1 Pc
CANAL2527.150	1500 mm	29.5 mm	27.5 mm	24.7/25.5 mm	1 Pc
CANAL2523.200	2000 mm	25.5 mm	23.5 mm	20.7/21.5 mm	1 Pc
CANAL2527.200	2000 mm	29.5 mm	27.5 mm	24.7/25.5 mm	1 Pc

**FINISHING CAP FOR CANAL25**

Material: AISI 316L stainless steel

Finish: /8

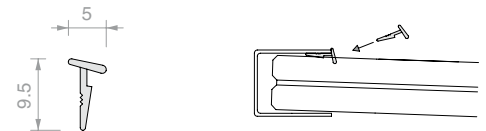


Art.	B	Qty
CANAL2523TP	25.5 mm	1 Pc
CANAL2527TP	29.5 mm	1 Pc

**SEAL FOR PROALUX PROFILES**

Material: Co-extruded PVC

Finish: Transparent



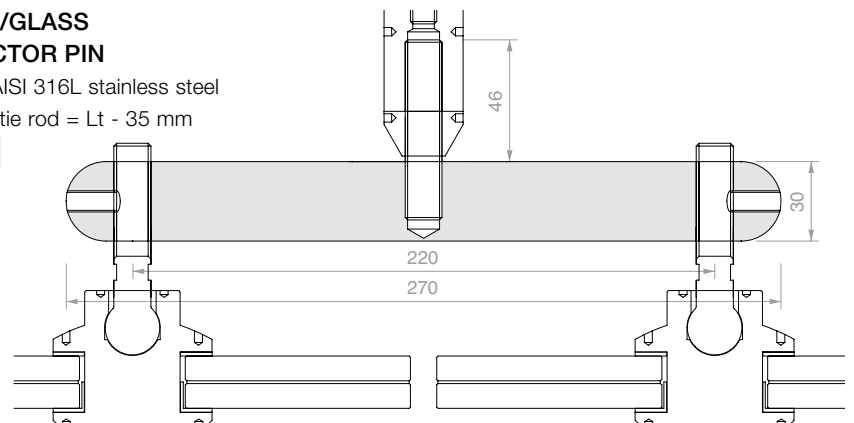
Art.	Description	Qty
PROALUXG	-	1 m
PROALUXG400	400 m roll	1 Pc

**TIE ROD/GLASS CONNECTOR PIN**

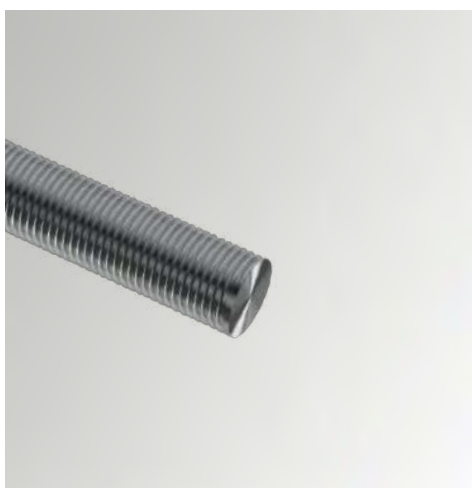
Material: AISI 316L stainless steel

Length of tie rod = Lt - 35 mm

Finish: /9

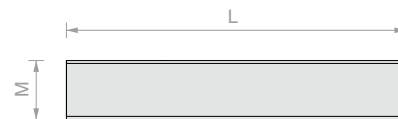


Art.	Qty
GC-PERN270	1 Pc



CUSTOMIZED THREADED ROD

Material: AISI 316L stainless steel



Art.	L	M	Qty
BARRAFIL-MIS	≤1000 mm	M16/M22	1 Pc



**PIN WRENCH
FOR Ø3/Ø2.5/Ø2 mm BLIND HOLES**

Material: iron body, steel pins

The compass opening allows to operate with wide radiuses, for pair of holes with a centre distance between 9 mm and 55 mm

Art.	Description	Qty
UT300	Pin wrench with Ø2.9 mm pins	1 Pc
UTC300R	N.2 replacement pins Ø2.9 mm	1 Pc
UT250	Pin wrench with Ø2.4 mm pins	1 Pc
UTC250R	N.2 replacement pins Ø2.4 mm	1 Pc
UT200	Pin wrench with Ø1.8 mm pins	1 Pc
UTC200R	N.2 replacement pins Ø1.8 mm	1 Pc



HOOK WRENCH

Material: steel

Tool required for tightening all metal parts that have blind holes around their axis.

Art.	Extension	Pin	For blind hole	Qty
CHSETT19	Ø19/50 mm	Ø2.8 mm	Ø3 mm	1 Pc
CHSETT32	Ø32/75 mm	Ø3.8 mm	Ø4 mm	1 Pc

**DW895****Sealant for structural glazing**

The Dow Corning® 895 silicon sealant is a one-part silicone for structural glazing. The cured product provides a high level of weatherproofing and high resistance to ultra-violet radiation, heat, and moisture. The high tensile strength means this product is ideally suited to structural bonding applications. Excellent mechanical properties.

Properties

- Meets new European standards for the application of structural sealants, developed by EOTA
- Excellent adhesion to a wide range of substrates, including coated, enamelled and reflective glass, polyester coated and anodized aluminium, and stainless steel profiles
- Neutral curing system, odourless and non-corrosive
- One-part product
- Resistant to ozone and extreme temperatures

Technical data:**Properties - As supplied**

Properties - As supplied	Unit	Value
Specific gravity	g/ml	1.43
Slump or flow	mm	0
Tack-free time (25°C, 50% UR)	minutes	60
Curing time (25°C, 50% UR)		
After 24 hours	mm	2.2
After 72 hours	mm	3.5

Cured - After 7 days at 25°C and 50% UR

Hardness (Shore A)	points	38
Ultimate elongation	%	600
Tensile strength at 100% elongation	MPa	0.7
Tensile strength at maximum elongation	MPa	2.85
Tear strength	kN/m	19

H-piece testing

Ultimate elongation	%	260
Tensile strength	MPa	1.06
Young modulus	MPa	1.0
Sealant dynamic design load	Pa	140.000
Sealant static design load	Pa	7.000
Operating temperature range	°C	from -50 to +150
Workability time	minutes	15



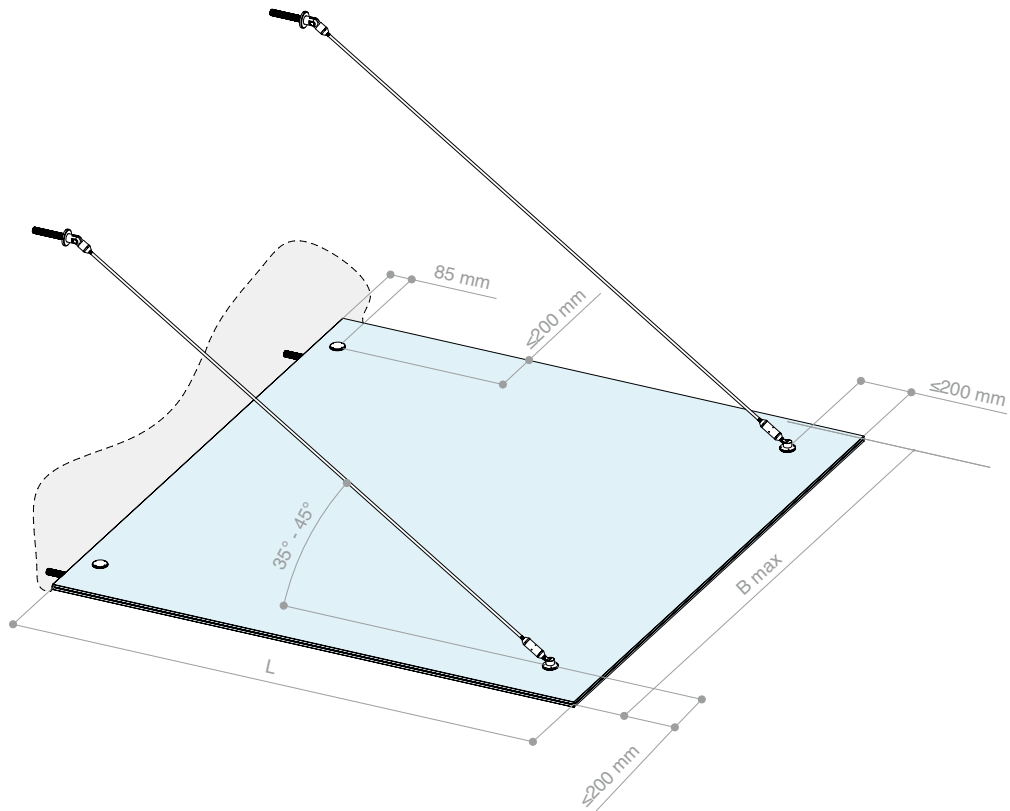
BLACK

Art.	Package	Colour	Package	Qty
DW895NE	310 ml	Black	12 Pcs	1 Pc

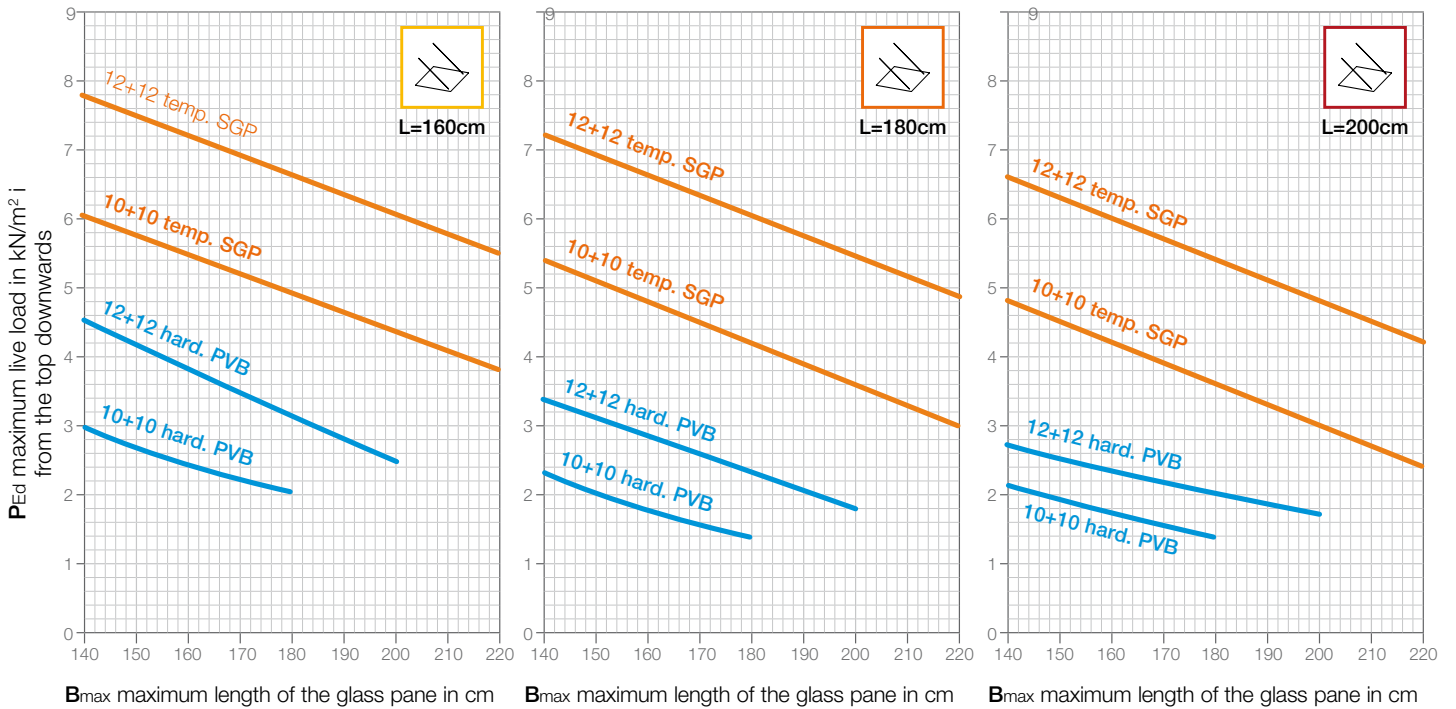




TECHNICAL SPECIFICATIONS



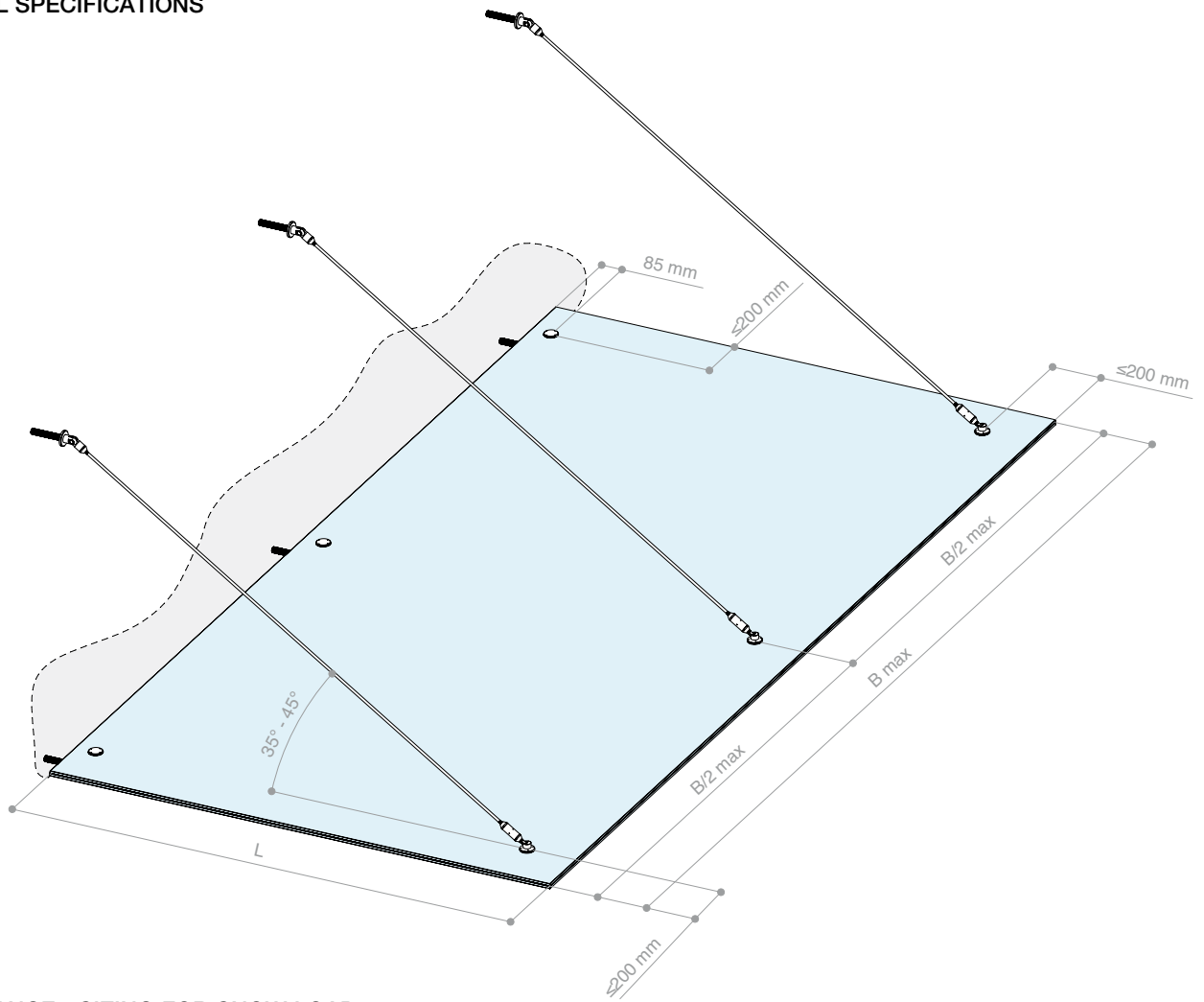
PERFORMANCE - SIZING FOR SNOW LOAD



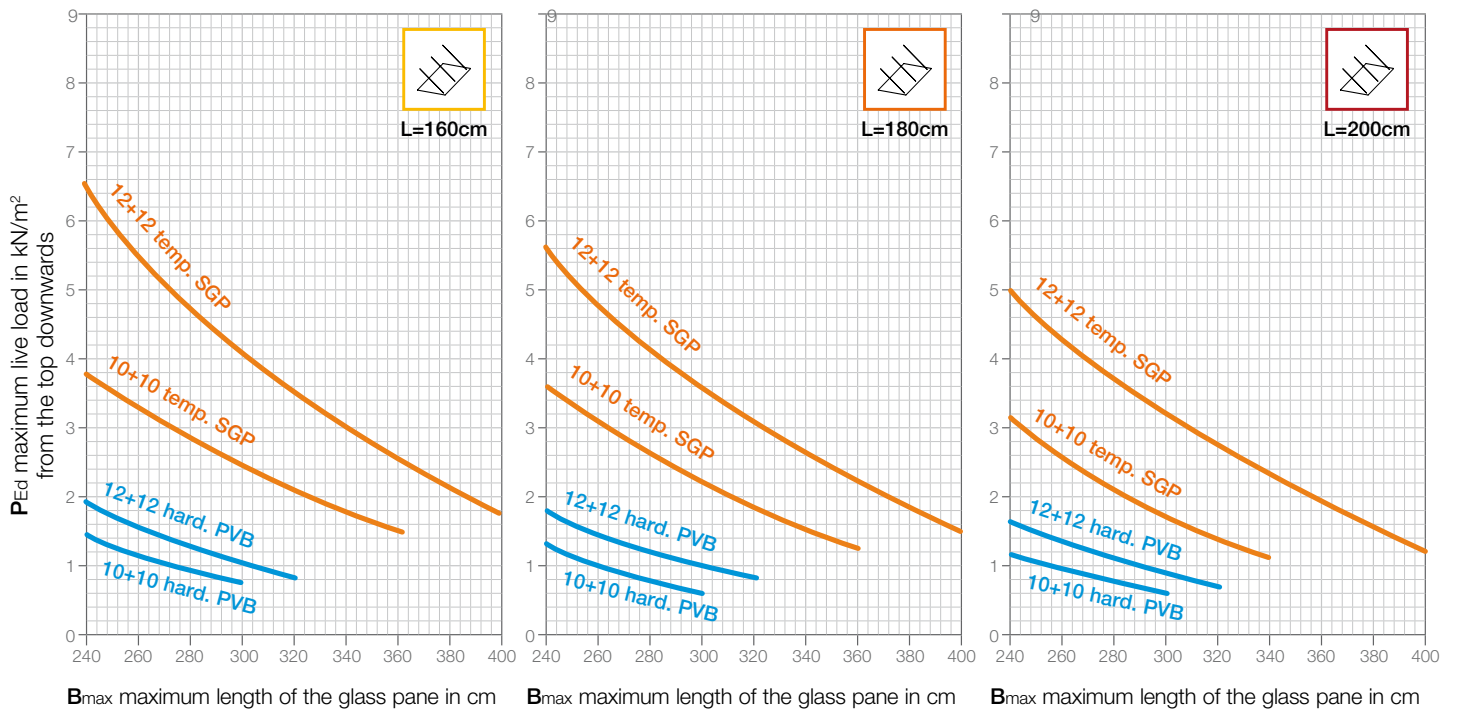
The maximum design load P_{Ed} refers to the sum of all variable loads acting downwards, including the associated safety and combination coefficients. The weight of the glass pane itself is always taken into account and does not need to be added. The data shown for the point fixings of the wall side pane can be considered in relation to wall fixing via a continuous profile, fitted using structural silicone. The configurations of the glass and the interlayers are provided by way of example and are not exhaustive of all installation possibilities: indeed, there are numerous alternative solutions known and in use on the market which have equal or potentially better performance levels in a wide range of important technical aspects (e.g. resistance to de-lamination, post-rupture behaviour, stability versus temperature variations, etc.).



TECHNICAL SPECIFICATIONS



PERFORMANCE - SIZING FOR SNOW LOAD



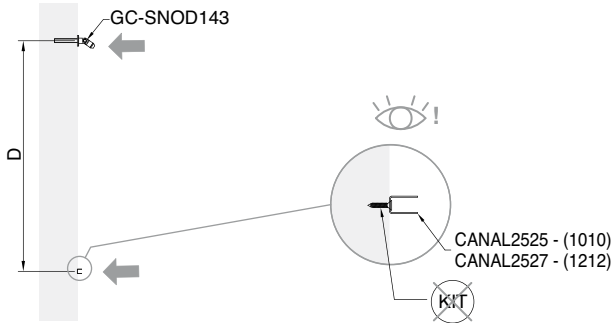
Note: the final assessment of the compliance of the system with the safety requirements remains a matter for the qualified engineer to assess, who will be able to verify the applicability of the data provided for the actual installation conditions, the conformity of the system for fastening to the load-bearing structure and the system's compliance with global safety requirements and those specific to the installation site (loads, support properties, exceptional loads, etc.). Detailed information about the design of the system is available online on our website or can be requested by contacting the Logli Saint-Gobain customer care technical department.



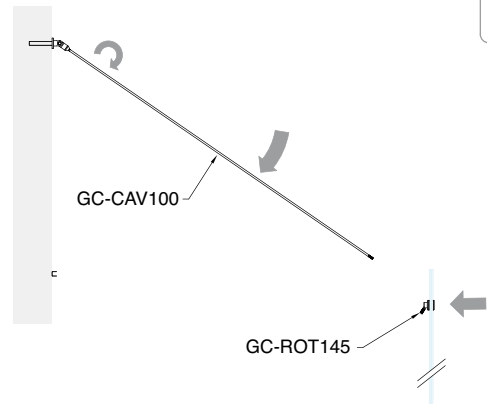
GC-SNOD1510KIT2
GC-SNOD3010KIT2
GC-SNOD1512KIT2
GC-SNOD3012KIT2

GC-SNOD1510KIT3
GC-SNOD3010KIT3
GC-SNOD1512KIT3
GC-SNOD3012KIT3

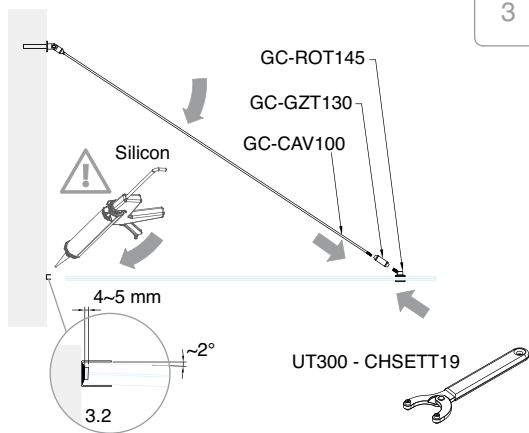
1



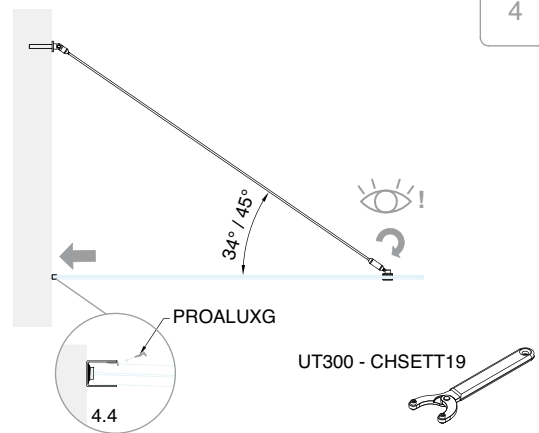
2



3

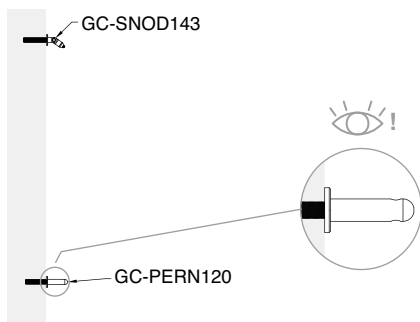


4

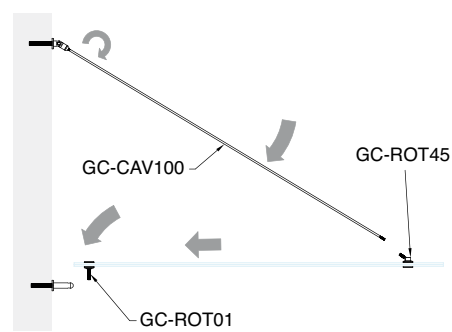


GC-CAV15KIT2
GC-CAV30KIT2
GC-CAV15KIT3
GC-CAV30KIT3

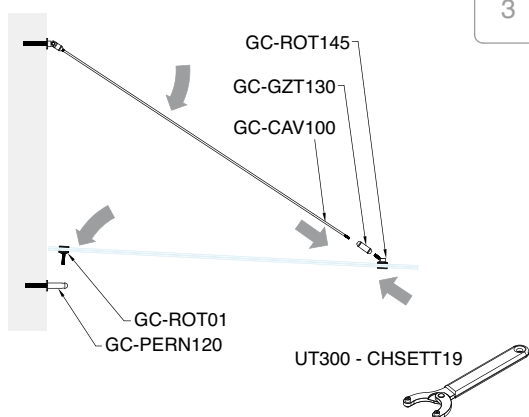
1



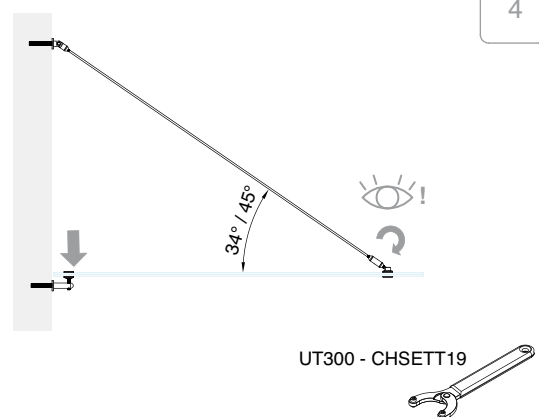
2

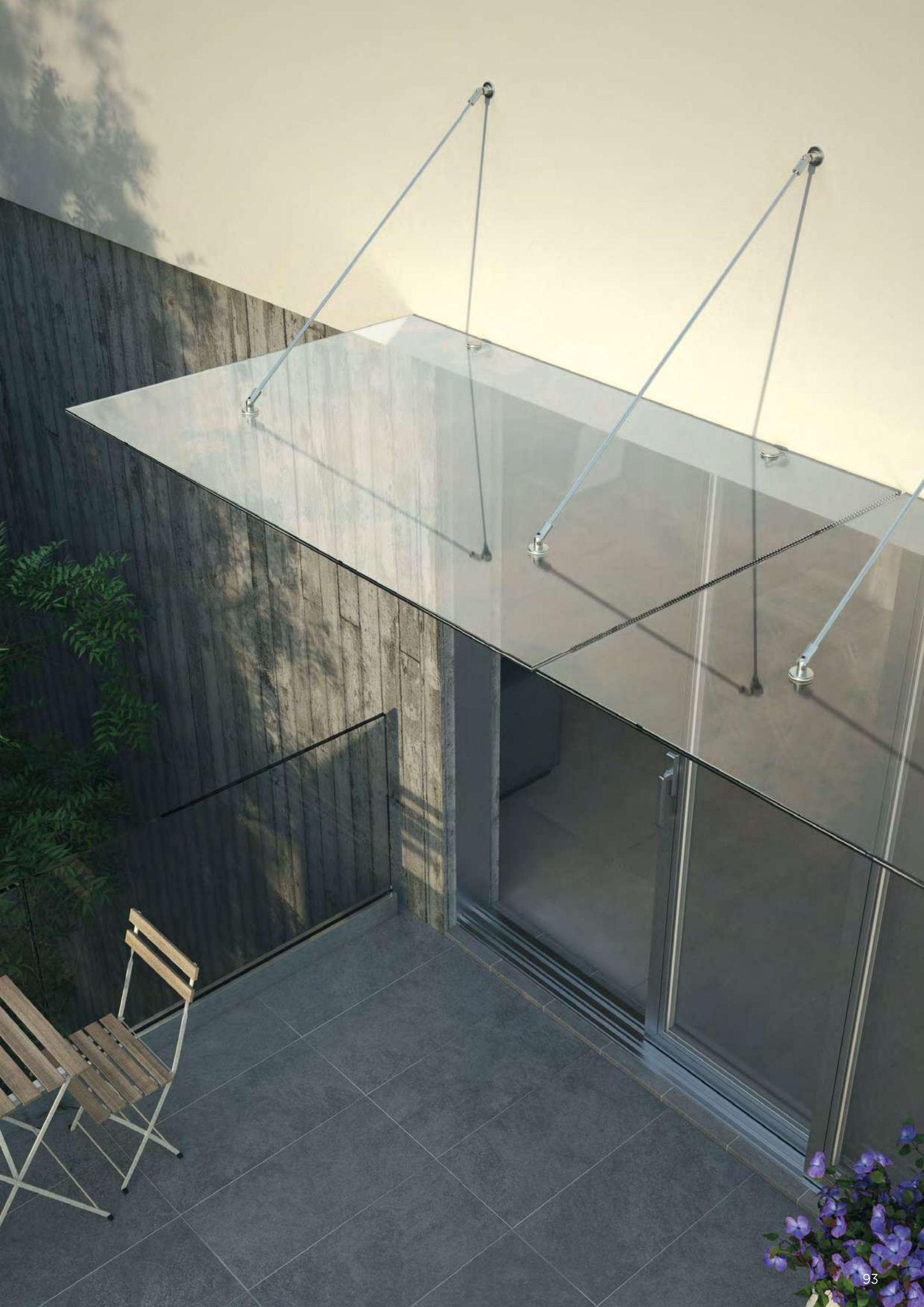


3



4





ATRIVANT 80

Your protection against wind and rain

The innovative system for glass sliding and dragging closures for balconies, porches and dehors.

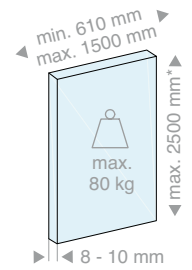




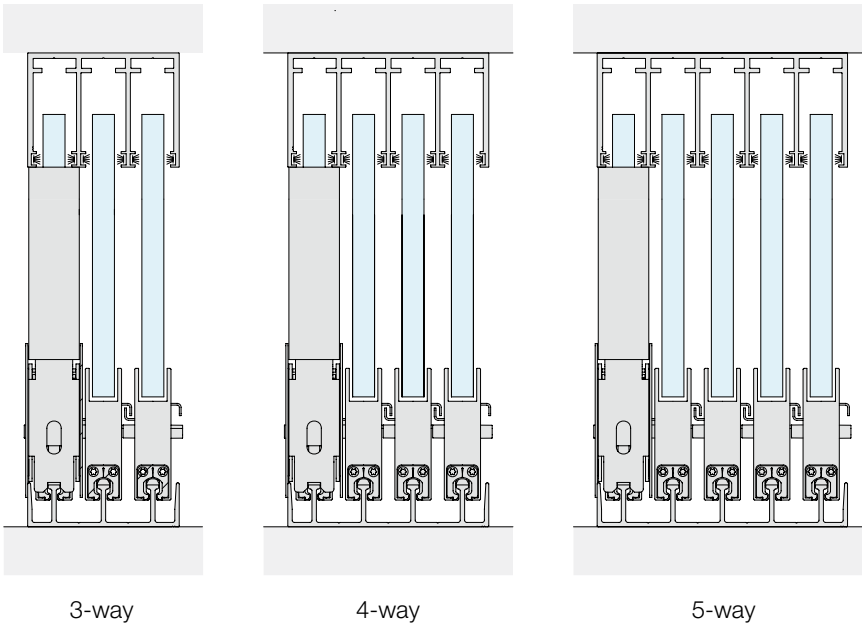
ATRIVANT 80

Technical properties

Atrivant 80 is a system for three, four and five tracks with softened movement (Soft Catch), both during the opening and the closing phase, for the sashes installed after the first one. The system is suitable for single-side, double-side and corner configurations, right- and left sliding opening, with or without fixed glasses. Furthermore, no glass processing is required. Available finishes: /97 (matt aluminium), /R6 (RAL 9016 matt), /R13 (RAL 7016 matt).



3 types of installation

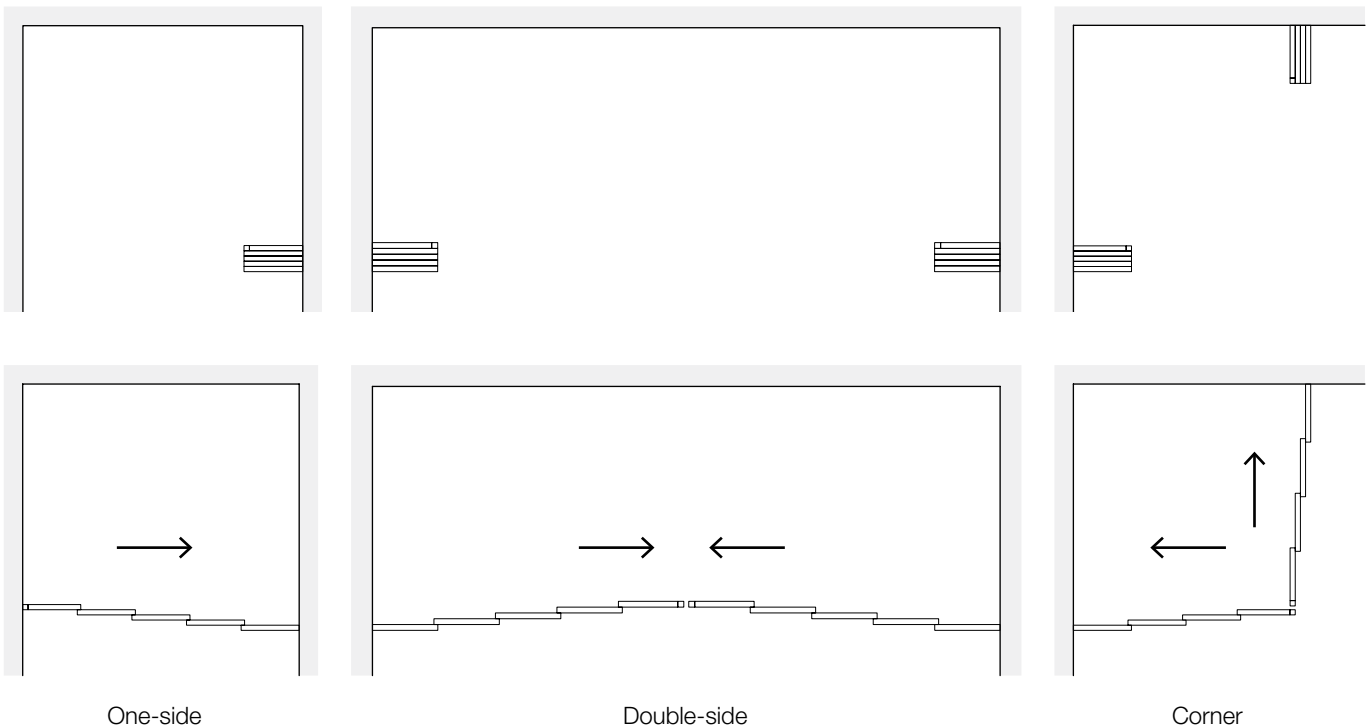


3-way

4-way

5-way

Configuration type



One-side

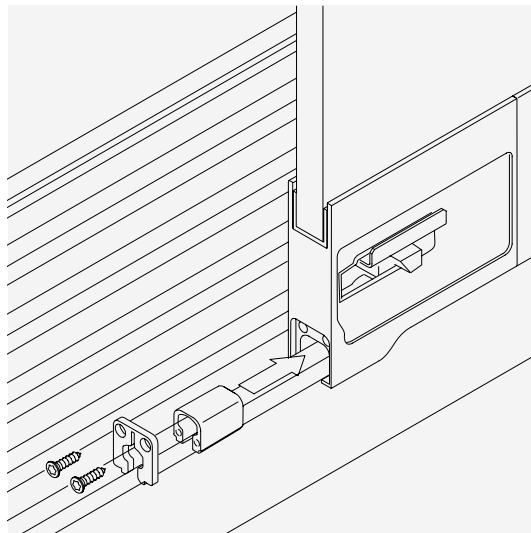
Double-side

Corner

*for 8 mm glass, H max 1800 mm

WATERPROOF

Thanks to the selected materials, the system Atrivant 80 keeps ensuring the proper sliding of the sashes even when exposed to damp environments. Atrivant hosts a high-quality waterproof hydraulic dampfung, which perfectly works even when in direct contact with water. The rollers, furthermore, slide onto antirust stainless steel ball bearings, complete with a plastic covering, which ensure a perfect working for the entire life cycle of the sliding system.



HIGH RESISTENCE AT WIND PRESSURE

Atrivant 80 resists higher wind pressures up to class 4 according to EN 12211/12210. The doors are firmly glued into the glass holder profile, and entry into the superior one, avoiding the risks of movement even during the bending due to the thrust of the wind. In addition, the block trolley adheres to the track a floor with a double spill protection.

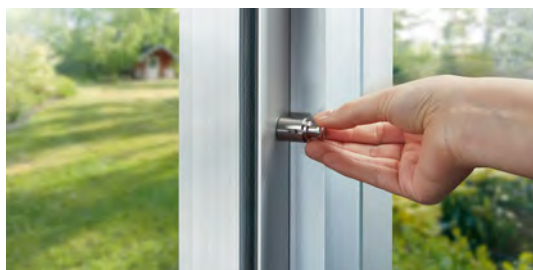


SOFT CATCH

When opening and closing, the dampfung system ensures that each sash softly starts the movement of the one behind. This movement will be silent and soft in any phase. Furthermore it will be easier to separately drag one or more sash to create, for example, a central passage. Once the door is in its original position, the soft catch mechanism will link it again to the others.

EASY CLEAN

Thanks to the possibility to separate the door sashes one from the other: cleaning the glasses, even in their overlap point, has never been easier.



CLOSURE

The system can be integrated with one wall closure through a vertical latch with rope operation.



A SUBTLE SLIDING

The trolleys are the strong point of the entire system. Made of stainless steel coated with plastic and with integrated damper, they guarantee high silence and resistance over time.



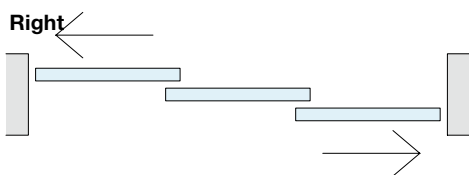
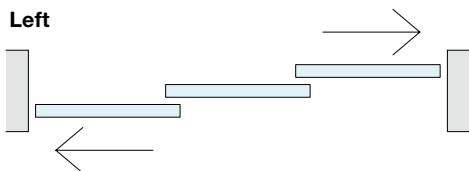
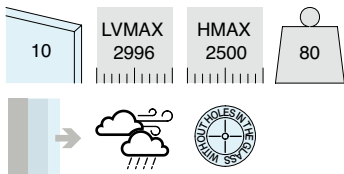
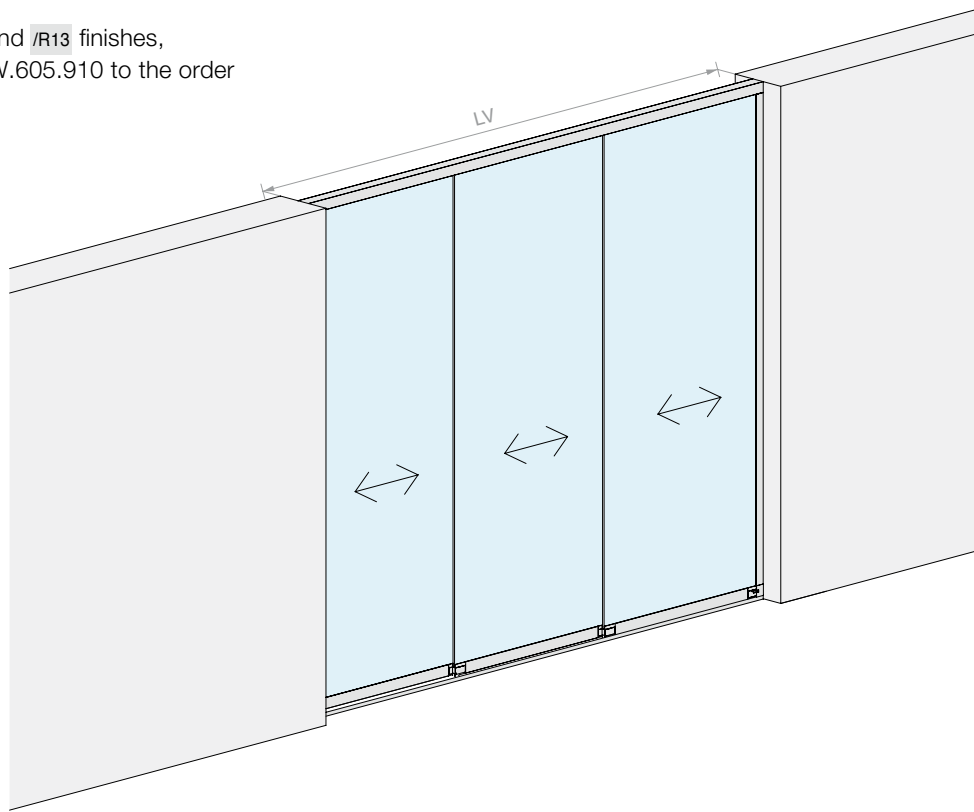


ATRIVANT 80 3-LEAF CEILING MOUNTED SLIDING DOOR KIT

Material: Aluminium

Finish: /97 /R6 /R13

For the painted /R6 and /R13 finishes, add the primer Art. W.605.910 to the order



Kit comprising:

Art.	Description	Qty
W.651.023.300	3-leaf upper guide	1 Pc
W.651.033.300	3-leaf lower track	1 Pc
W.650.010.300	Glass holder profile	1 Pc
W.650.900	Glass fixing adhesive	1 Pc
W.651.520.250	Wall profile	2 Pcs
W.651.256	Gasket for upper guide	28 m
W.650.260	Adaptor for wall profile	2 Pcs
W.651.220	Set of carriers for single leaf door, left	3 Pcs
W.651.230	Set of carriers for single leaf door, right	3 Pcs

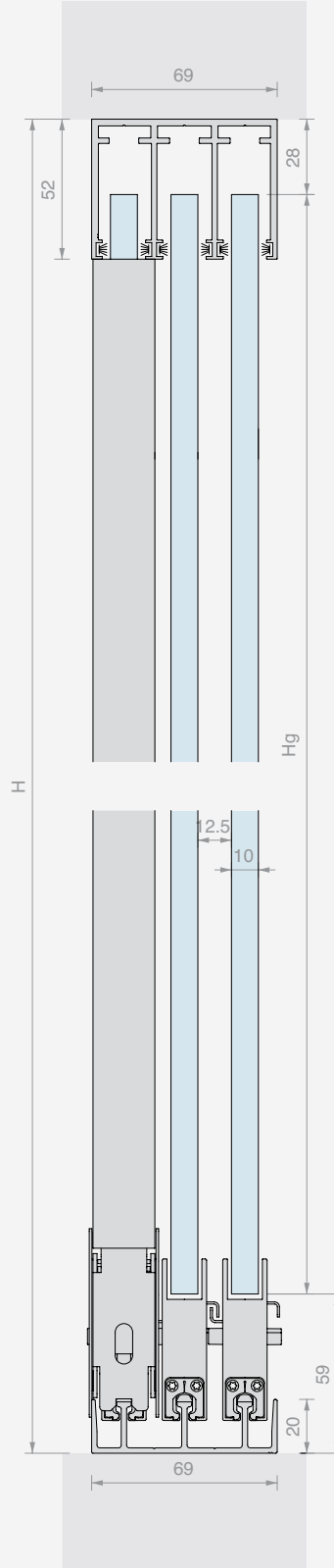
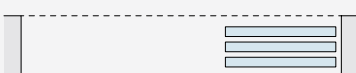
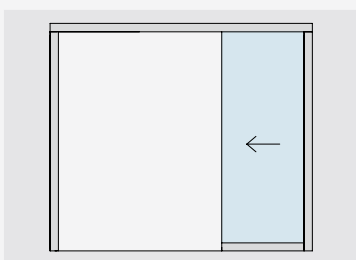
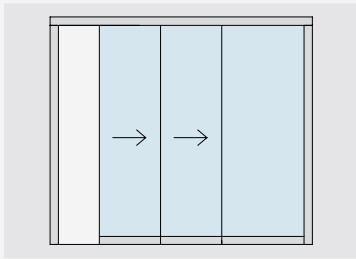
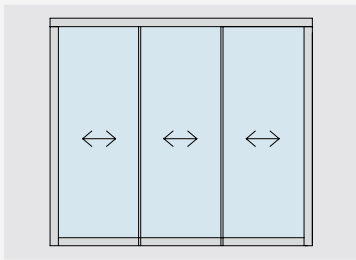
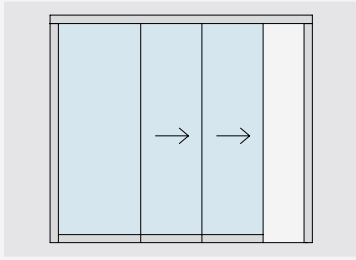
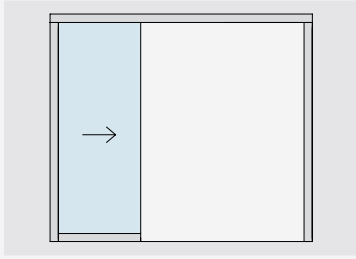
Optional:

W.651.273	2 caps for upper guide	1 Pc
W.651.263	2 caps for lower track	1 Pc
W.650.620	Lock for door leaf	2 Pcs
HAND13040VHB	Handle with VHB	4 Pcs
W.650.910	Primer for bonding of profiles with RAL painted finish	1 Pc

Art.	Mounting	No. door leaves	LV max	Qty
W.ATR803VSX.300	Left	3	2996 mm	1 Pc
W.ATR803VDX.300	Right	3	2996 mm	1 Pc



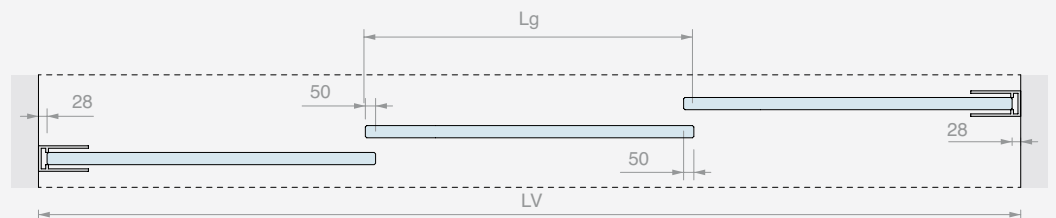
RECOMMENDED GLASS LAYOUT AND SIZING



GLASS SIZING:

$$L_g = (LV + 44)/3$$

$$H_g = H - 87$$



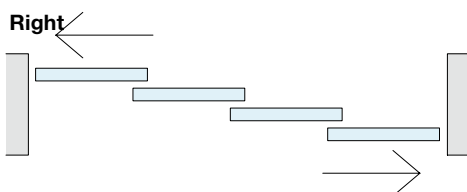
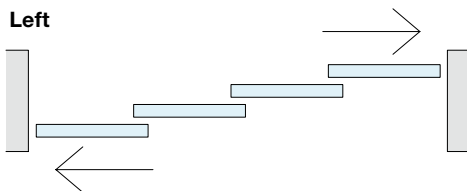
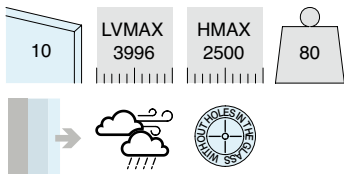
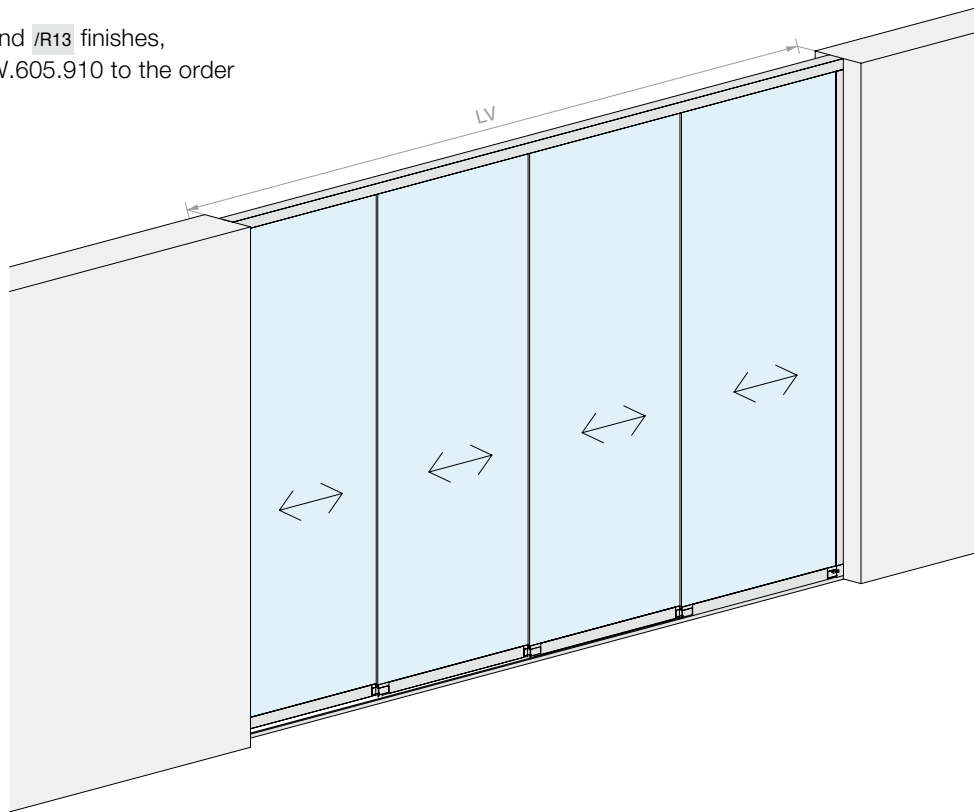


ATRIVANT 80 4-LEAF CEILING-MOUNTED SLIDING DOOR KIT

Material: Aluminium

Finish: /97 /R6 /R13

For the painted /R6 and /R13 finishes, add the primer Art. W.605.910 to the order



Kit comprising:

Art.	Description	Qty
W.651.024.400	4-leaf upper guide	1 Pc
W.651.034.400	4-leaf lower track	1 Pc
W.650.010.400	Glass holder profile	1 Pc
W.650.900	Glass fixing adhesive	1 Pc
W.651.520.250	Wall profile	2 Pcs
W.651.256	Gasket for upper guide	42 m
W.650.260	Adaptor for wall profile	2 Pcs
W.651.220	Set of carriers for single leaf door, left	4 Pcs
W.651.230	Set of carriers for single leaf door, right	4 Pcs

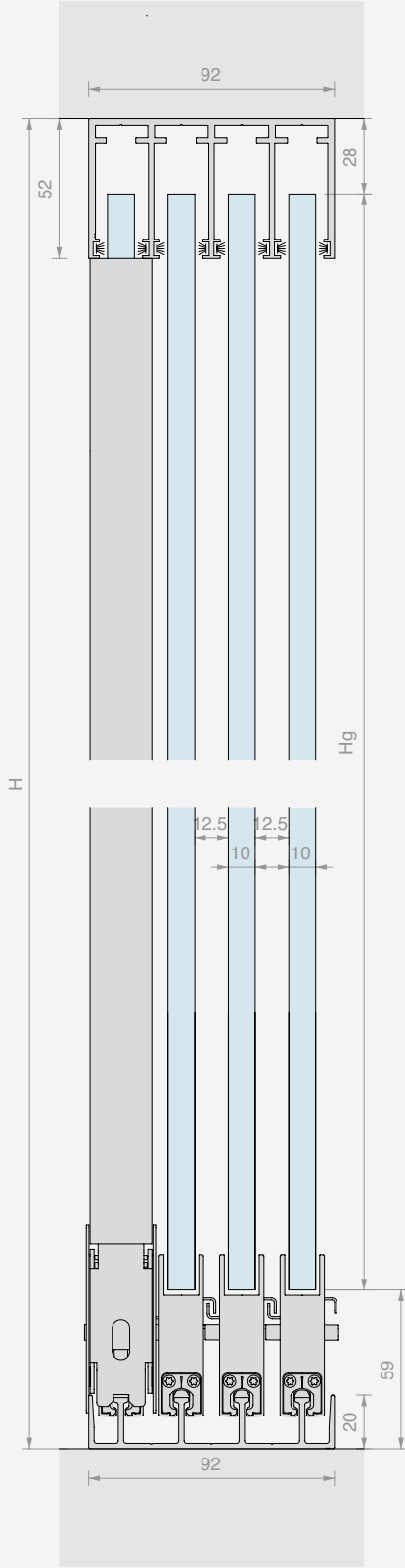
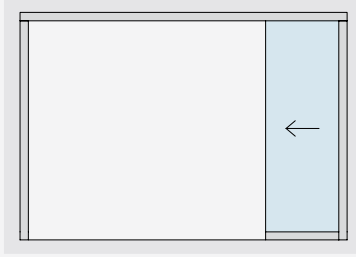
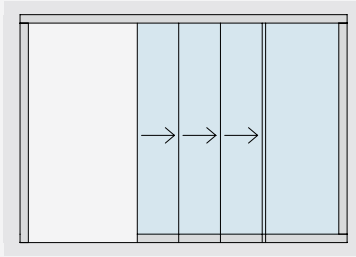
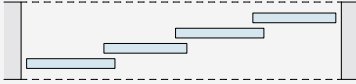
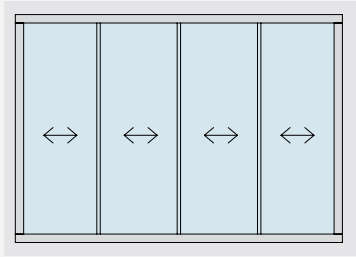
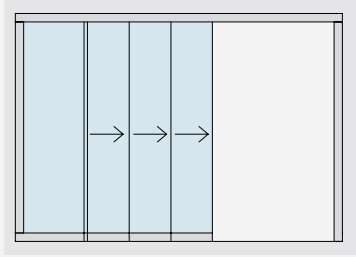
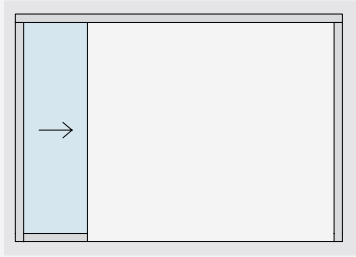
Optional:

W.651.274	2 caps for upper guide	1 Pc
W.651.264	2 caps for lower track	1 Pc
W.650.620	Lock for door leaf	2 Pcs
HAND13040VHB	Handle with VHB	4 Pcs
W.650.910	Primer for bonding of profiles with RAL painted finish	1 Pc

Art.	Mounting	No. door leaves	LV max	Qty
W.ATR804VSX.400	Left	4	3996 mm	1 Pc
W.ATR804VDX.400	Right	4	3996 mm	1 Pc



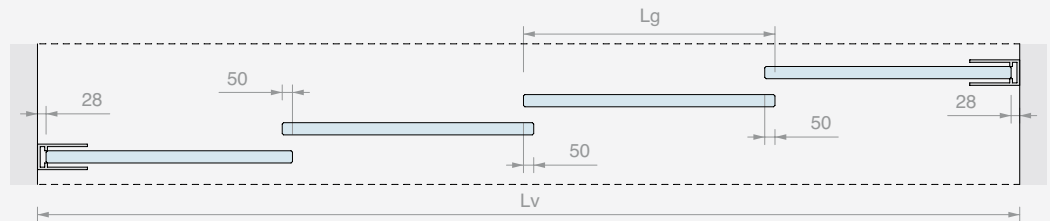
RECOMMENDED GLASS LAYOUT AND SIZING



GLASS SIZING:

$$L_g = (L_v + 94) / 4$$

$$H_g = H - 87$$



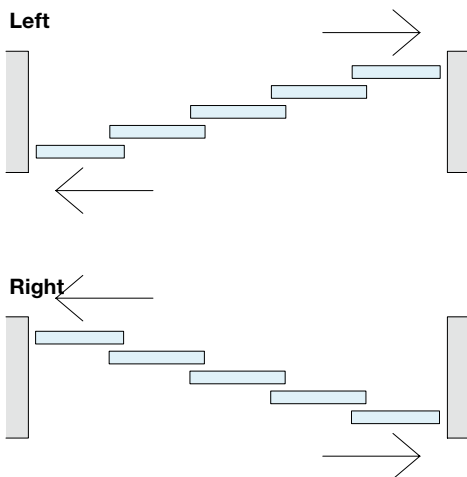
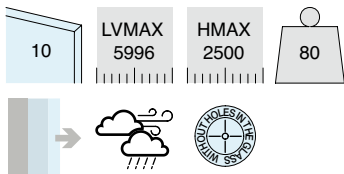
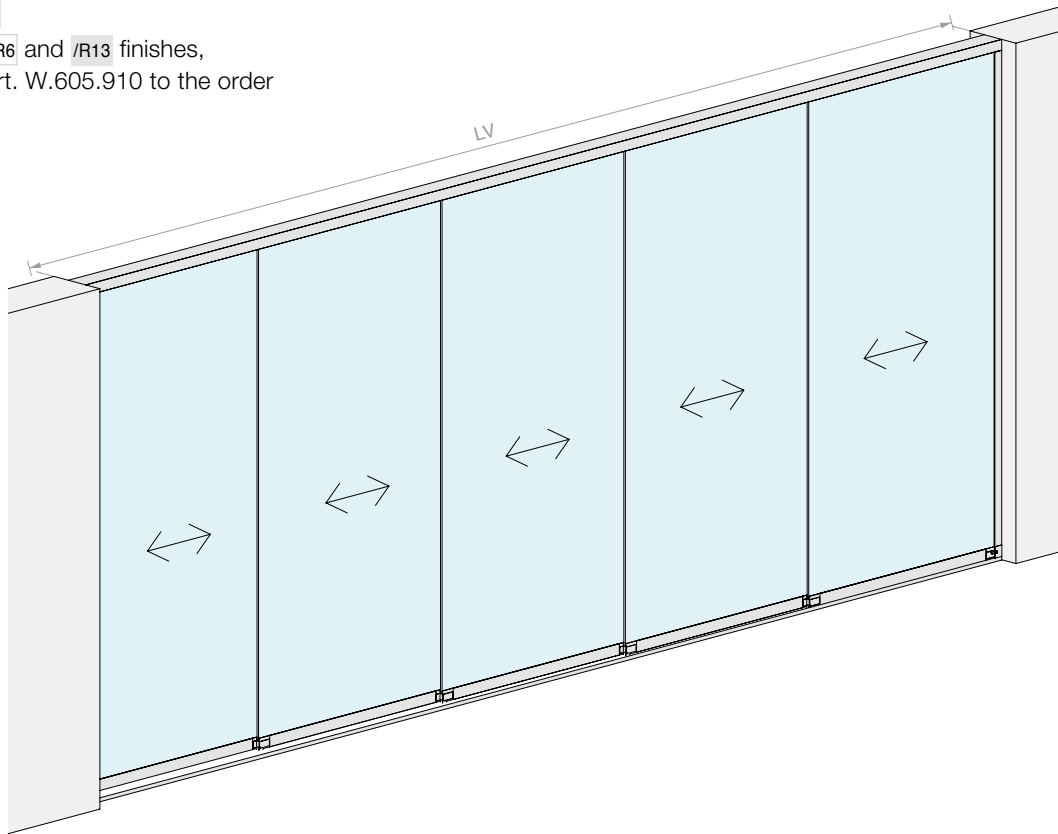


ATRIVANT 80 5-LEAF CEILING MOUNTED SLIDING DOOR KIT

Material: Aluminium

Finish: /97 /R6 /R13

For the painted /R6 and /R13 finishes, add the primer Art. W.605.910 to the order



Kit comprising:

Art.	Description	Qty
W.651.025.600	5-leaf upper guide	1 Pc
W.651.035.600	5-leaf lower track	1 Pc
W.650.010.600	Glass holder profile	1 Pc
W.650.900	Glass fixing adhesive	1 Pc
W.651.520.250	Wall profile	2 Pcs
W.651.256	Gasket for upper guide	70 m
W.650.260	Adaptor for wall profile	2 Pcs
W.651.220	Set of carriers for single leaf door, left	5 Pcs
W.651.230	Set of carriers for single leaf door, right	5 Pcs

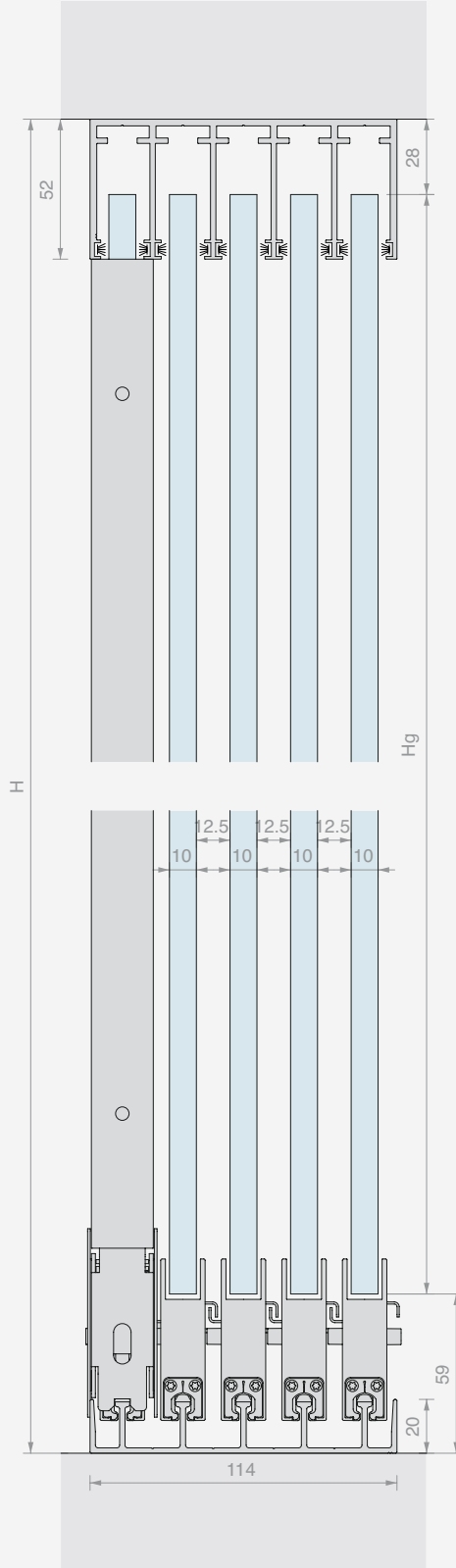
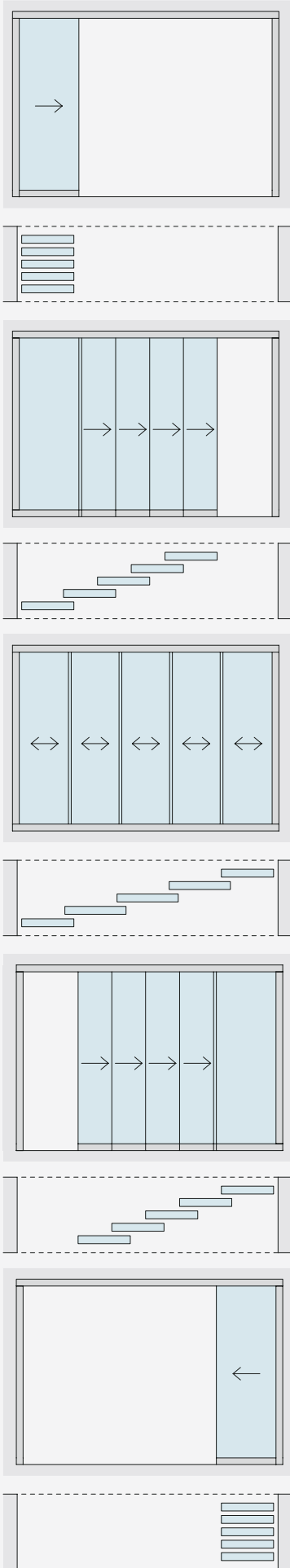
Optional:

W.651.275	2 caps for upper guide	1 Pc
W.651.265	2 caps for lower track	1 Pc
W.650.620	Lock for door leaf	2 Pcs
HAND13040VHB	Handle with VHB	4 Pcs
W.650.910	Primer for bonding of profiles with RAL painted finish	1 Pc

Art.	Mounting	No. door leaves	LV max	Qty
W.ATR805VSX.600	Left	5	5996 mm	1 Pc
W.ATR805VDX.600	Right	5	5996 mm	1 Pc



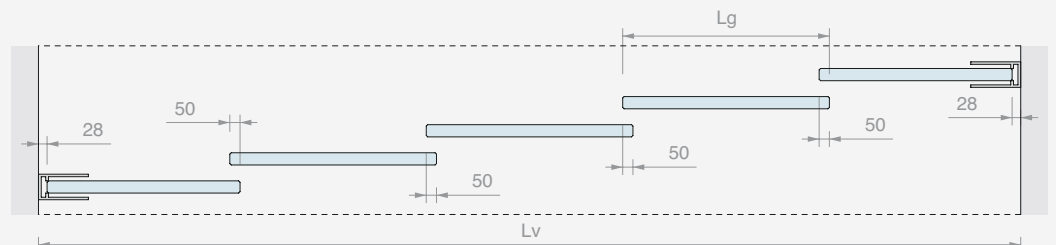
RECOMMENDED GLASS LAYOUT AND SIZING



GLASS SIZING:

$$L_g = (L_v + 144)/5$$

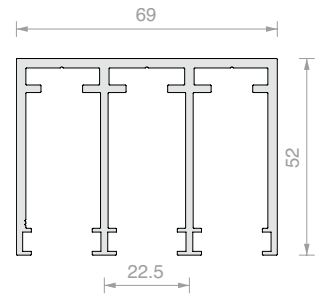
$$H_g = H - 87$$





ATRIVANT 80 3-WAY UPPER GUIDE

Material: Aluminium
 For installation without damper
 Length up to 5996 mm available to order
 Finish: /97 /R6 /R13

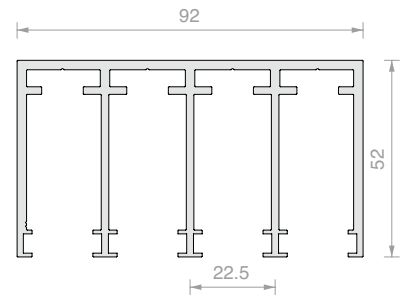


Art.	Length	Qty
W.651.023.300	2996 mm	1 Pc



ATRIVANT 80 4-WAY UPPER GUIDE

Material: Aluminium
 For installation without damper
 Length up to 5996 mm available to order
 Finish: /97 /R6 /R13

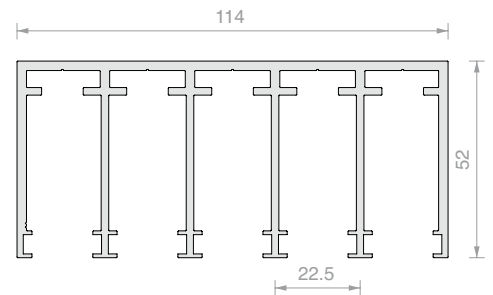


Art.	Length	Qty
W.651.024.400	3996 mm	1 Pc



ATRIVANT 80 5-WAY UPPER GUIDE

Material: Aluminium
 For installation without damper
 Finish: /97 /R6 /R13



Art.	Length	Qty
W.651.025.600	5996 mm	1 Pc



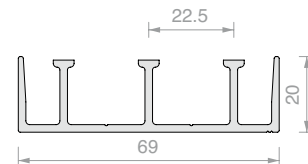
ATRIVANT 80 3-WAY LOWER TRACK

Material: Aluminium

The track has holes for draining water

Length up to 5996 mm available to order

Finish: /97



Art.	Length	Qty
W.651.033.300	2996 mm	1 Pc



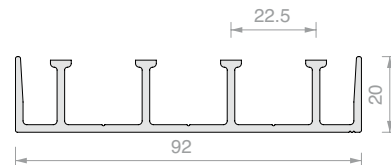
ATRIVANT 80 4-WAY LOWER TRACK

Material: Aluminium

The track has holes for draining water

Length up to 5996 mm available to order

Finish: /97



Art.	Length	Qty
W.651.034.400	3996 mm	1 Pc

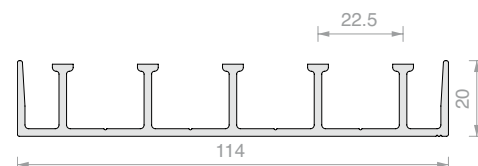


ATRIVANT 80 5-WAY LOWER TRACK

Material: Aluminium

The track has holes for draining water

Finish: /97



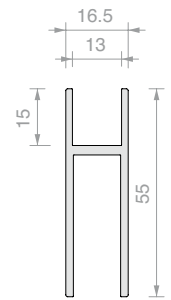
Art.	Length	Qty
W.651.035.600	5996 mm	1 Pc



ATRIVANT 80 GLASS HOLDER PROFILE

Material: Aluminium

Finish: /97 /R6 /R13



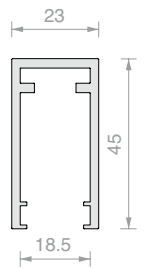
Art.	Length	Qty
W.650.010.300	2996 mm	1 Pc
W.650.010.400	3996 mm	1 Pc
W.650.010.600	5996 mm	1 Pc



ATRIVANT 80 WALL PROFILE

Material: Aluminium

Finish: /97 /R6 /R13



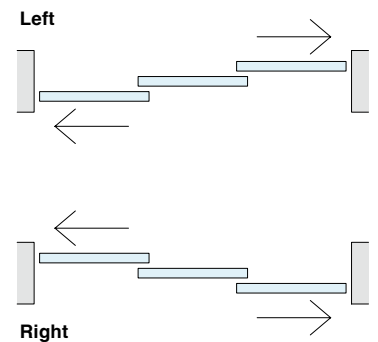
Art.	Length	Qty
W.651.520.250	2496 mm	1 Pc
W.651.520.500	4996 mm	1 Pc



SET OF CARRIERS FOR ATRIVANT 80 SINGLE LEAF DOOR

Material: Zamak, stainless steel, and nylon

Finish: /97 /R6 /R13



Art.	Mounting	Qty
W.651.220	Left	1 Pc
W.651.230	Right	1 Pc



SEAL FOR ATRIVANT 80 UPPER GUIDE AND WALL PROFILE

Colour: grey

Art.	For glass	Qty
W.651.251	8 mm	1 m
W.651.256	10 mm	1 m



ADAPTOR FOR WALL PROFILE

One must be ordered for each ATRIVANT 80 wall profile

Finish: /97 /R6 /R13

Art.	Qty
W.650.260	1 Pc



GLASS FIXING ADHESIVE AND PRIMER

Colour: grey

One bottle is enough for 6 m of profile

Art.	Description	Qty
W.650.900	Adhesive	1 Pc
W.650.910	Primer for bonding of profiles with RAL painted finish	1 Pc



DOOR LOCK IN WALL PROFILE

Always requires adaptor W.650.260

Art.	Qty
W.650.620	1 Pc



2 CAPS FOR UPPER GUIDE

Material: Aluminium

Finish: /97 /R6 /R13

Note: Install using silicone on the whole end of the cap



Art.	B	Qty
W.651.273	69 mm	1 Pc
W.651.274	92 mm	1 Pc
W.651.275	114 mm	1 Pc

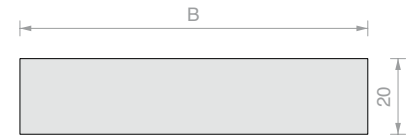


2 CAPS FOR LOWER TRACK

Material: Aluminium

Finish: /97

Note: Install using silicone on the whole end of the cap



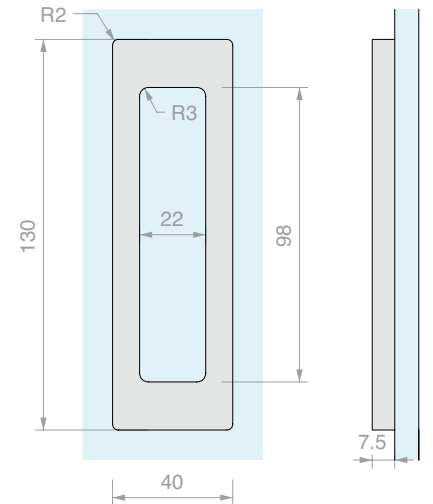
Art.	B	Qty
W.651.263	69 mm	1 Pc
W.651.264	92 mm	1 Pc
W.651.265	114 mm	1 Pc



HANDLE FOR SLIDING DOORS WITH VBH FIXING HAND13040

Material: Aluminium

Finish: /1 /6 /88 /91 /97 /R6 /R13



Art.	Qty
HAND13040VHB	1 Pc



POOL

*ELEGANCE AND DESIGN
FOR OUTDOOR GLASS FENCES*

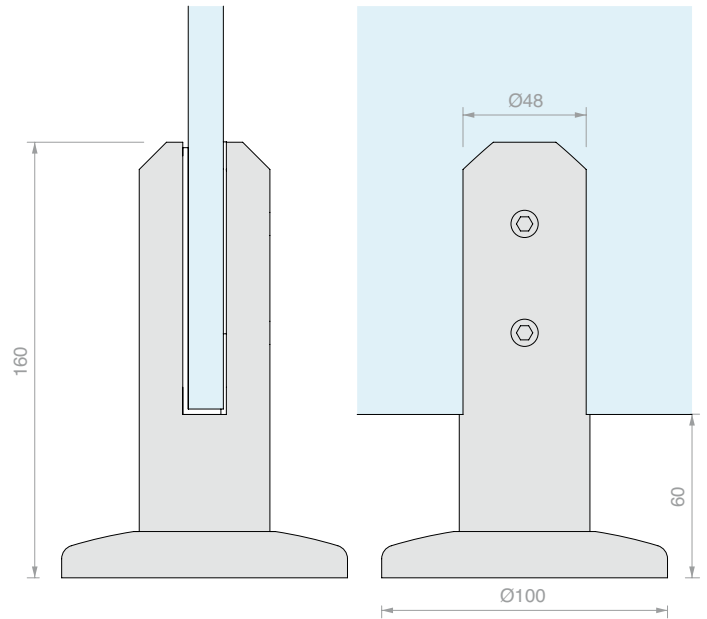




ROUNDED POOL CLAMP FOR OUTDOOR PARTITIONS

Material: AISI 316 stainless steel

Finish: /8 /15



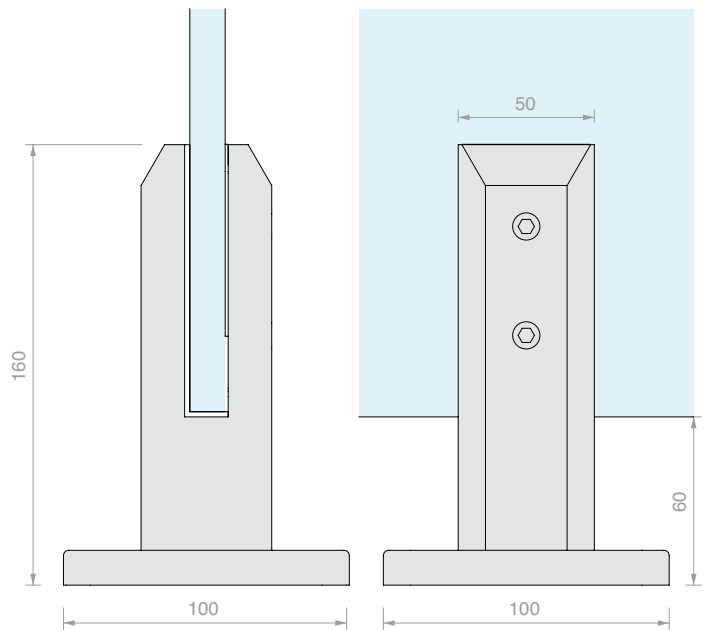
Art.	For glass	Qty
POOL50C	From 11.5 to 13.5 mm	1 Pc



SQUARE POOL CLAMP FOR OUTDOOR PARTITIONS

Material: AISI 316 stainless steel

Finish: /8 /15



Art.	For glass	Qty
POOL50SQ	From 11.5 to 13.5 mm	1 Pc

Fluido Spider

*A refined design,
combined with resistance.*

The Fluido series is ideal for elegant glass facades.

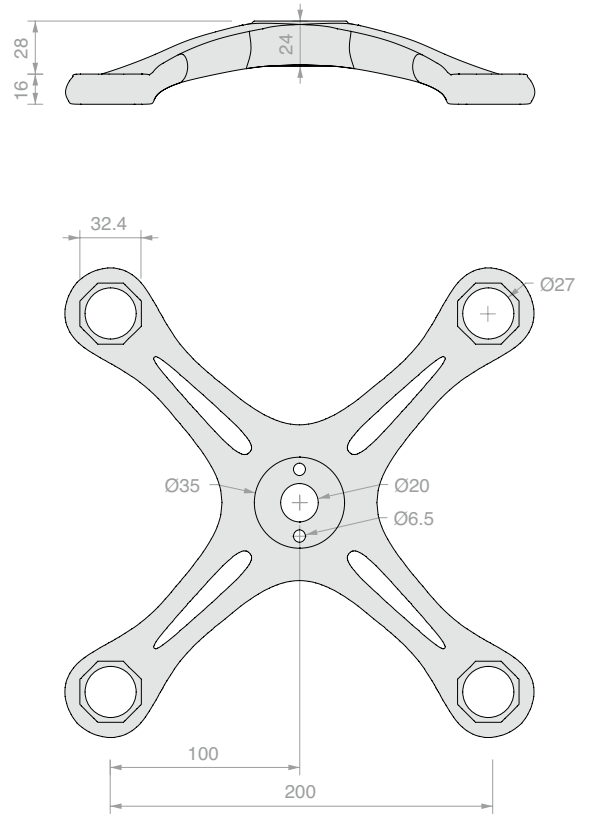
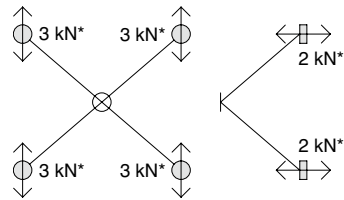




4-WAY SPIDER

Material: AISI 316 stainless steel

Finish: /8



Art. **FLUIDO360**

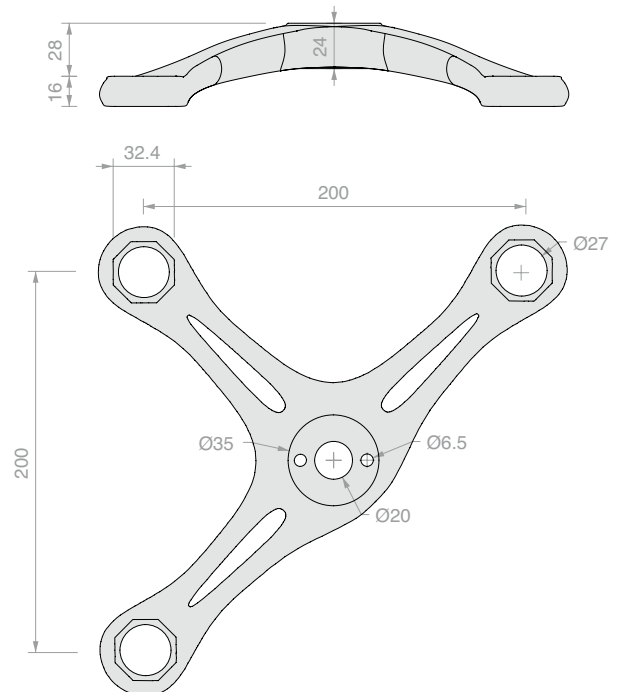
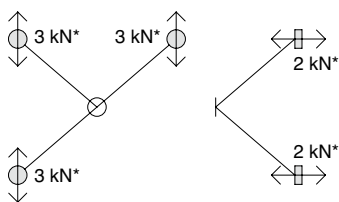
Qty
1 Pc



3-WAY SPIDER

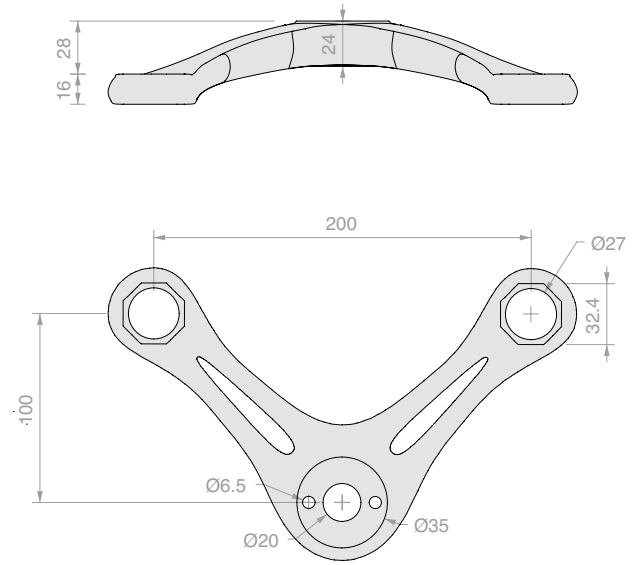
Material: AISI 316 stainless steel

Finish: /8



Art. **FLUIDO270**

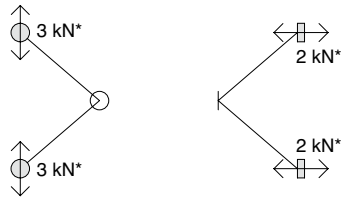
Qty
1 Pc



2-WAY 90° SPIDER

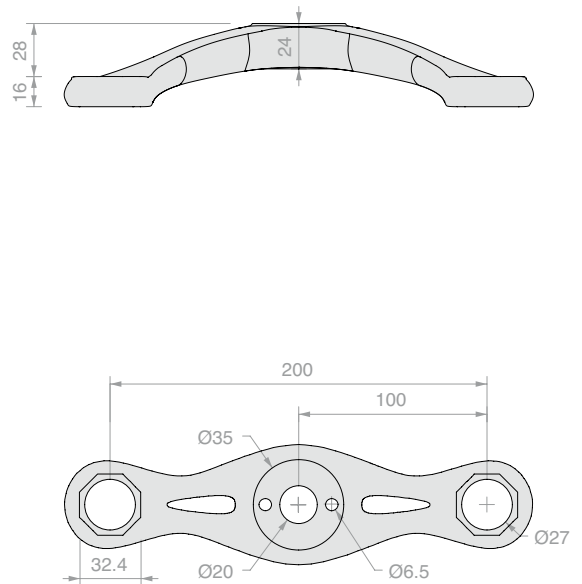
Material: AISI 316 stainless steel

Finish: /8



Art. **FLUIDO90**

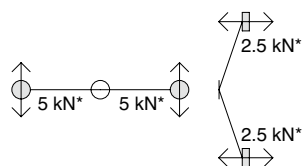
Qty
1 Pc



2-WAY IN-LINE SPIDER

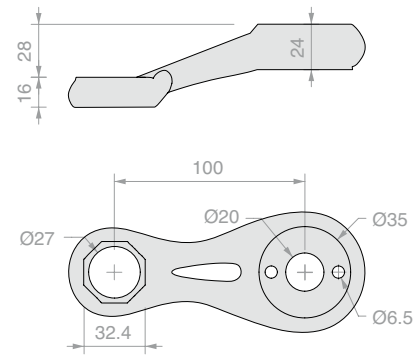
Material: AISI 316 stainless steel

Finish: /8



Art. **FLUIDO180**

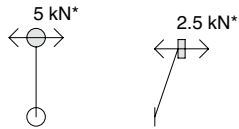
Qty
1 Pc



1-WAY IN-LINE SPIDER

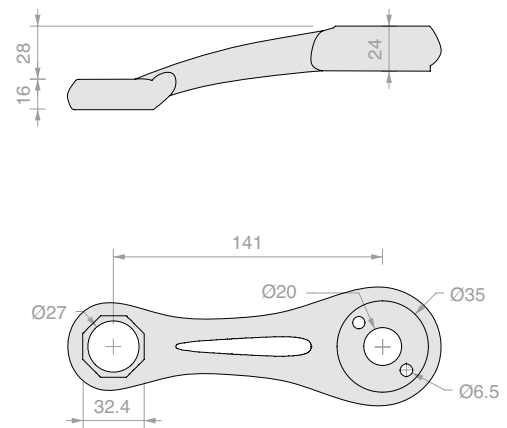
Material: AISI 316 stainless steel

Finish: /8



Art.
FLUIDO100

Qty
1 Pc



1-WAY 45° SPIDER

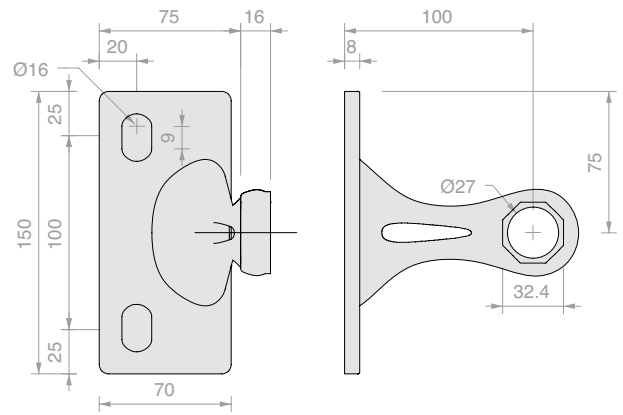
Material: AISI 316 stainless steel

Finish: /8



Art.
FLUIDO45

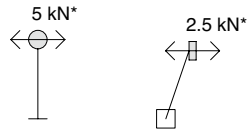
Qty
1 Pc



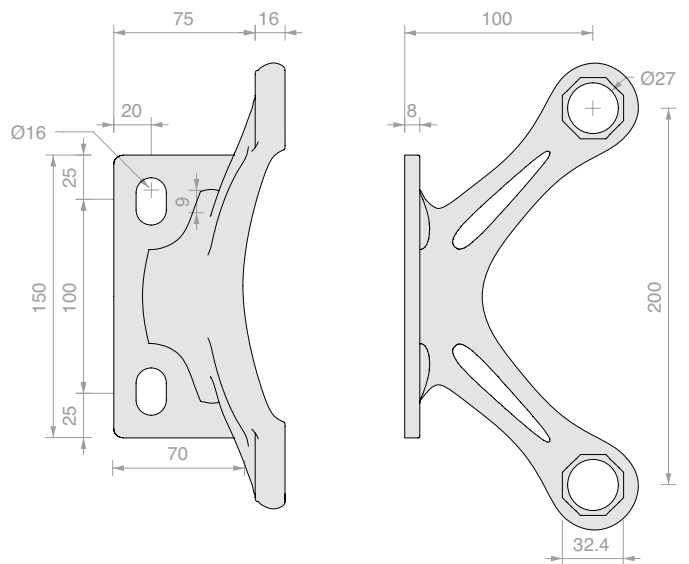
1-WAY SPIDER PLATE

Material: AISI 316 stainless steel

Finish: /8



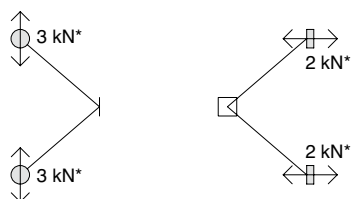
Art.	Qty
FLUIDO1	1 Pc



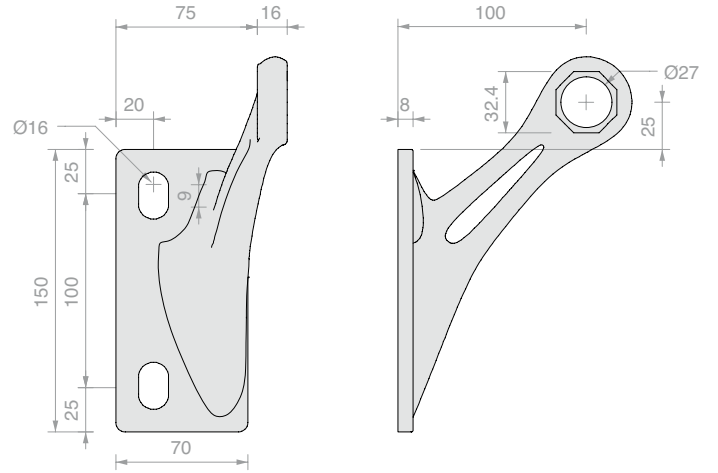
2-WAY SPIDER PLATE

Material: AISI 316 stainless steel

Finish: /8



Art.	Qty
FLUIDO2	1 Pc



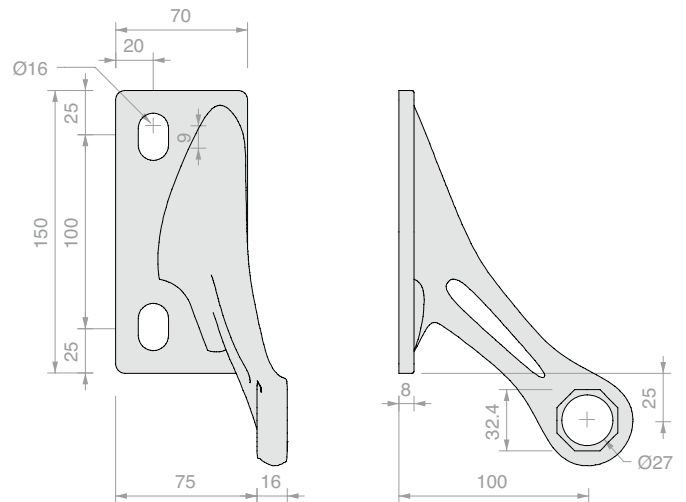
1-WAY LEFT SPIDER PLATE

Material: AISI 316 stainless steel

Finish: /8



Art.	Qty
FLUIDOSX	1 Pc



1-WAY RIGHT SPIDER PLATE

Material: AISI 316 stainless steel

Finish: /8



Art.	Qty
FLUIDODX	1 Pc

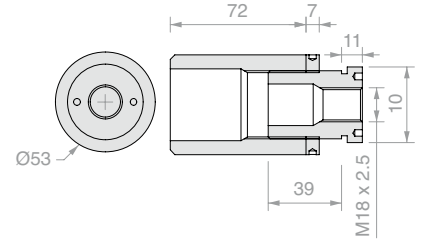


ADJUSTABLE SPIDER CONNECTOR

Material: galvanised free-cutting leaded steel casing, other parts AISI 316

Finish: /9

Note: the spider requires connecting screws for fastening Art. SPV1000



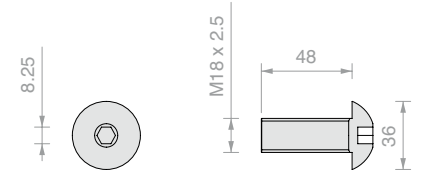
Art.	Qty
SPC1000	1 Pc



SCREW FOR ADJUSTABLE SPIDER

Material: AISI 316 stainless steel

Finish: /9



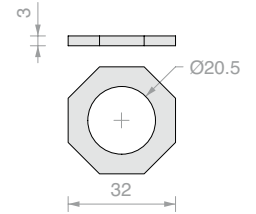
Art.	Qty
SPV1000	1 Pc



OCTAGONAL WASHER WITH HOLE

Material: AISI 316 stainless steel

Finish: /8



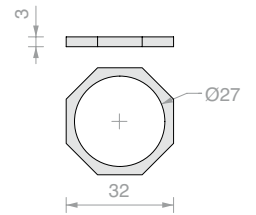
Art.	Qty
STR10	1 Pc



OCTAGONAL WASHER WITH WIDE HOLE

Material: AISI 316 stainless steel

Finish: /8



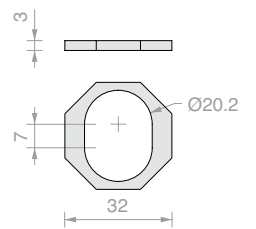
Art.	Qty
STR12	1 Pc



OCTAGONAL WASHER WITH WIDE OVAL HOLE

Material: AISI 316 stainless steel

Finish: /8



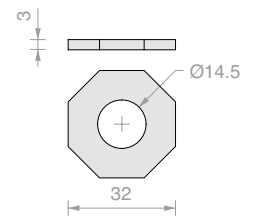
Art.	Qty
STR8	1 Pc



OCTAGONAL WASHER WITH NARROW HOLE

Material: AISI 316 stainless steel

Finish: /8



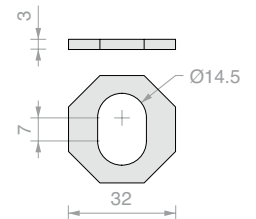
Art.	Qty
STR14	1 Pc



OCTAGONAL WASHER WITH OVAL HOLE

Material: AISI 316 stainless steel

Finish: /8



Art.	Qty
STR18	1 Pc

SPIDER SP

Simple and minimal

Simple and minimal.

Our SP systems create transparent shells that perfectly meet any aesthetic solution.

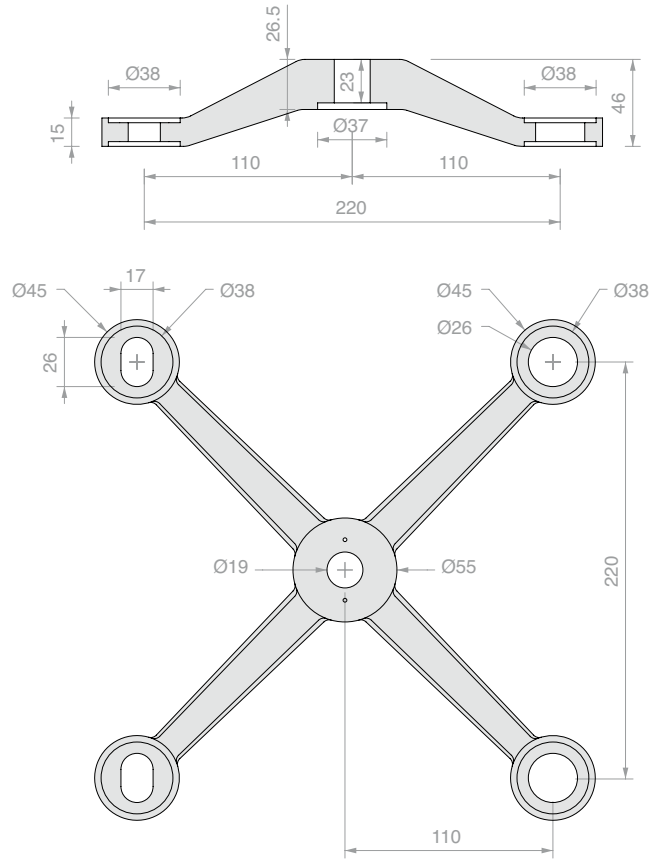
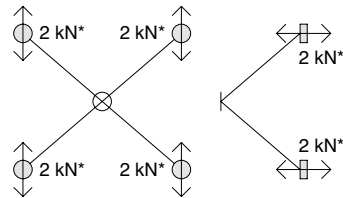




4-WAY SPIDER

Material: AISI 316 stainless steel

Finish: /15



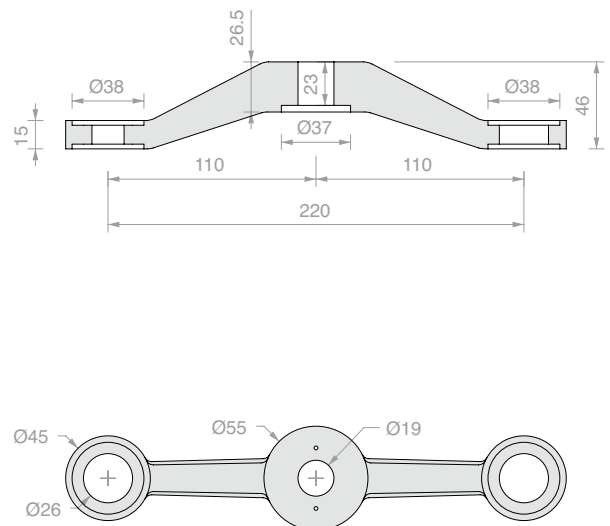
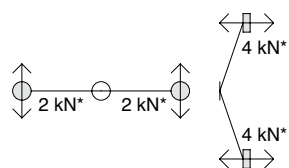
Art.	Qty
SP2201	1 Pc



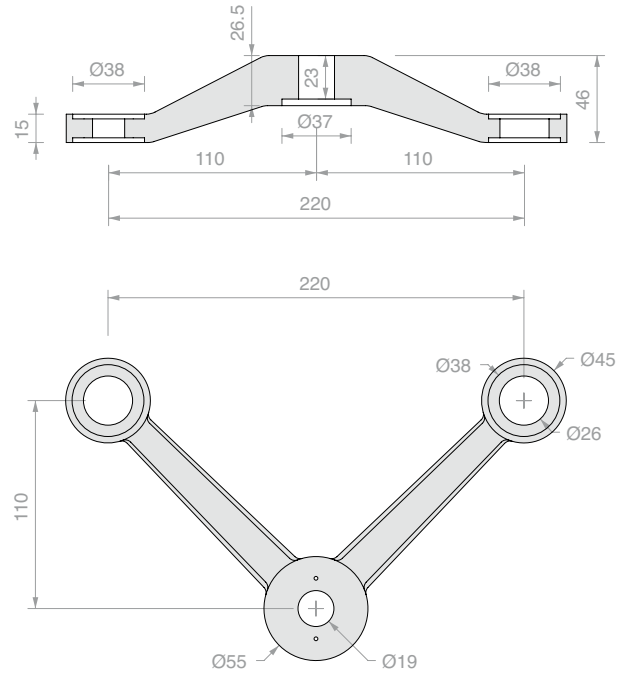
2-WAY IN-LINE SPIDER

Material: AISI 316 stainless steel

Finish: /15



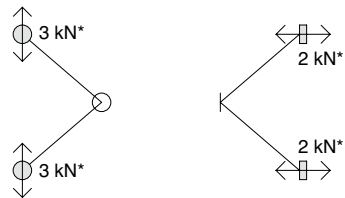
Art.	Qty
SP2202	1 Pc



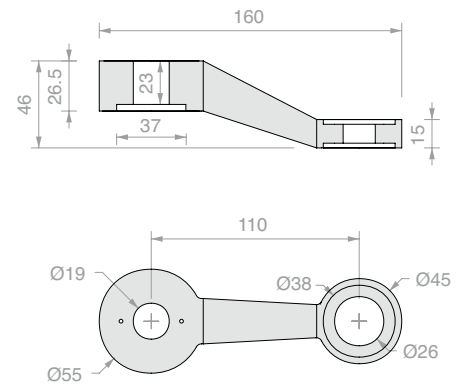
2-WAY 90° SPIDER

Material: AISI 316 stainless steel

Finish: /15



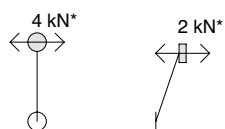
Art.	Qty
SP2203	1 Pc



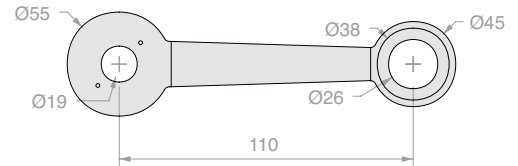
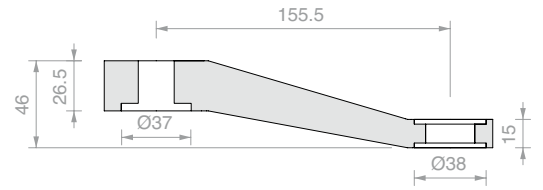
1-WAY IN-LINE SPIDER

Material: AISI 316 stainless steel

Finish: /15



Art.	Qty
SP2204	1 Pc



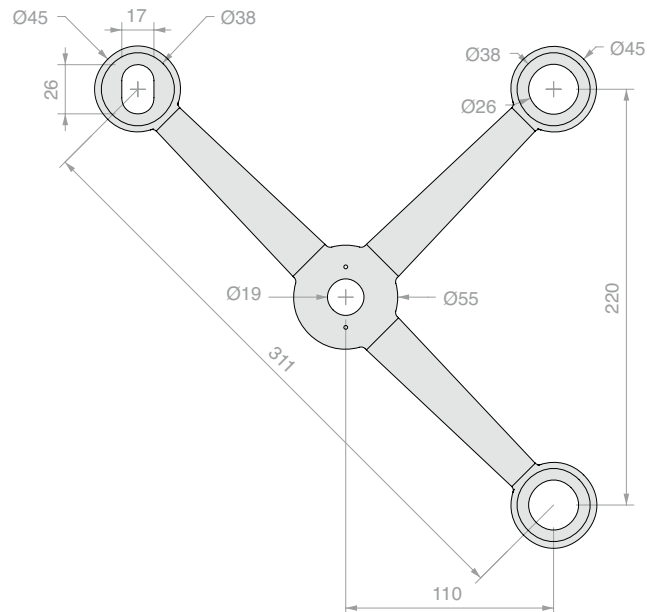
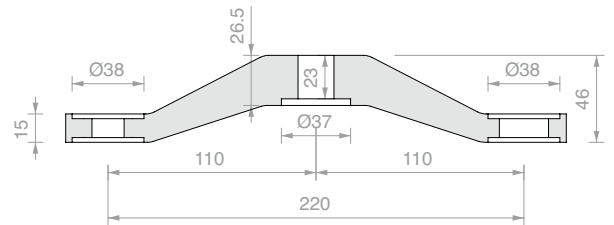
1-WAY 45° SPIDER

Material: AISI 316 stainless steel

Finish: /15



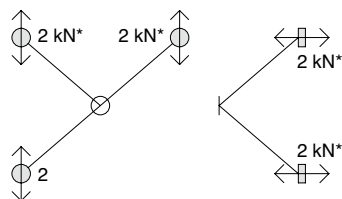
Art.	Qty
SP2205	1 Pc



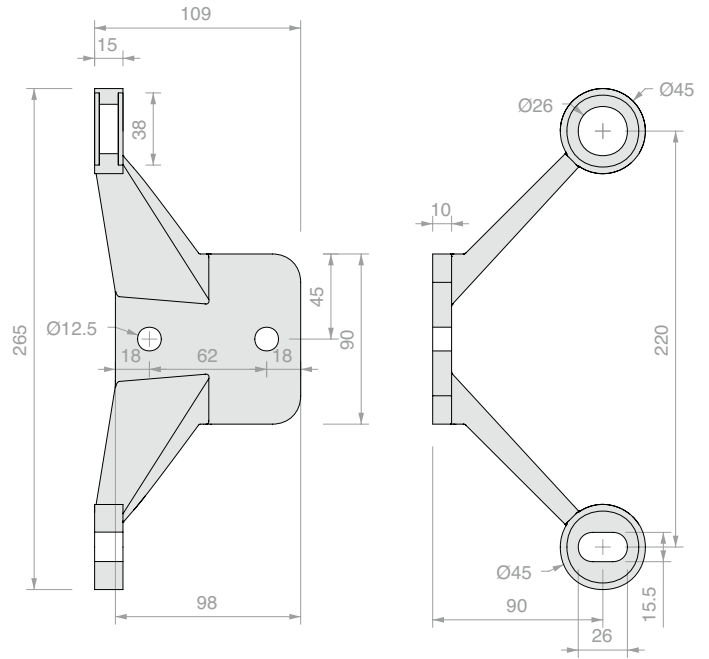
3-WAY SPIDER

Material: AISI 316 stainless steel

Finish: /15



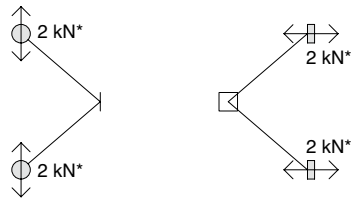
Art.	Qty
SP2206	1 Pc



2-WAY LEFT SPIDER PLATE

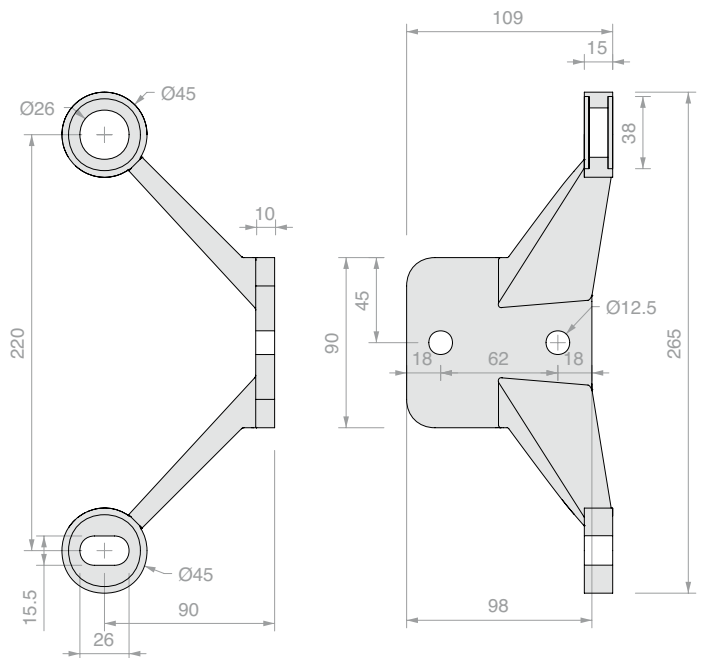
Material: AISI 316 stainless steel

Finish: /15



Art. **SP220L01**

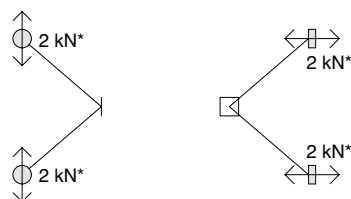
Qty
1 Pc



2-WAY RIGHT SPIDER PLATE

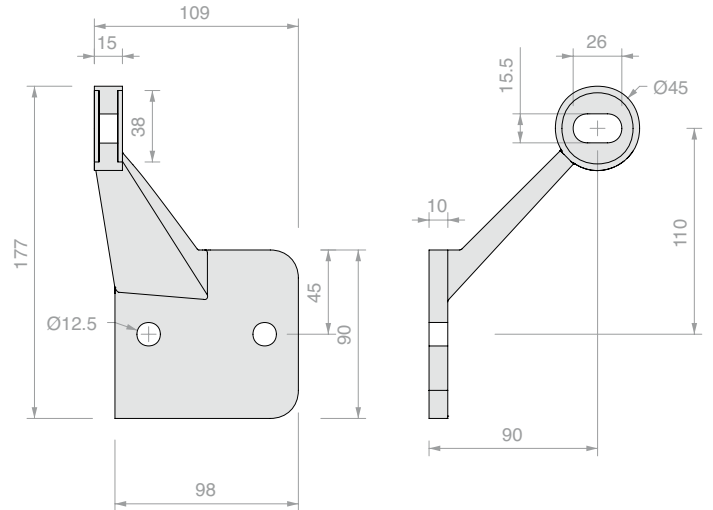
Material: AISI 316 stainless steel

Finish: /15



Art. **SP220L02**

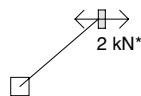
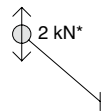
Qty
1 Pc



1-WAY LEFT SPIDER PLATE

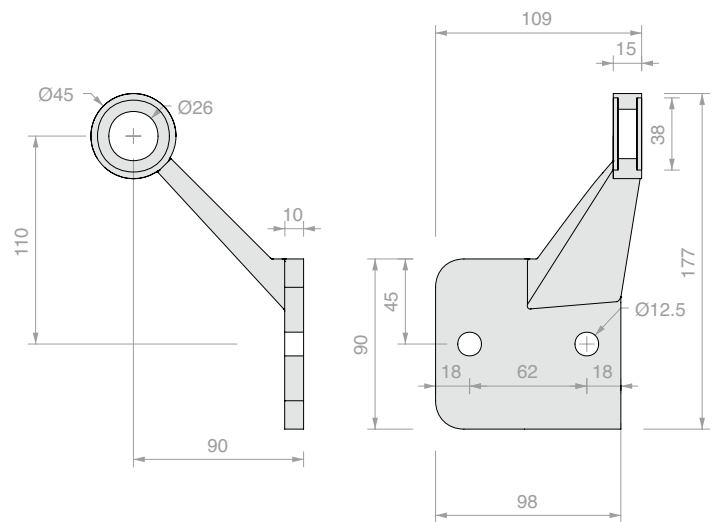
Material: AISI 316 stainless steel

Finish: /15



Art.
SP220L03

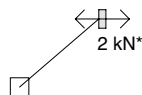
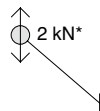
Qty
1 Pc



1-WAY RIGHT SPIDER PLATE

Material: AISI 316 stainless steel

Finish: /15



Art.
SP220L04

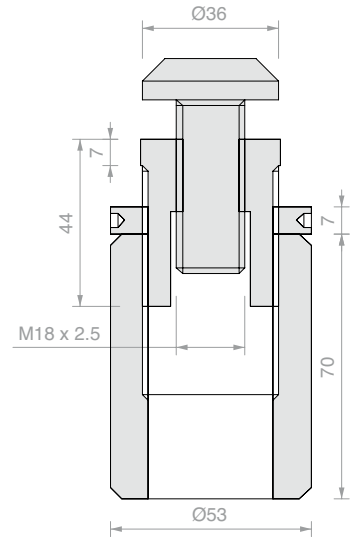
Qty
1 Pc



ADJUSTABLE SPIDER CONNECTOR WITH SCREW

Material: Free-cutting leaded steel and AISI 316

Finish: /9



Art.
SP220Z

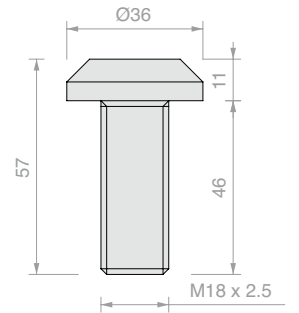
Qty
1 Pc



SCREW FOR ADJUSTABLE SPIDER

Material: AISI 316 stainless steel

Finish: /9



Art.
SP220Z04

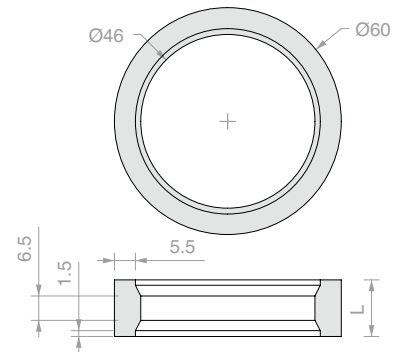
Qty
1 Pc



DOUBLE GLAZING FERRULE

Material: Aluminium

Finish: /97

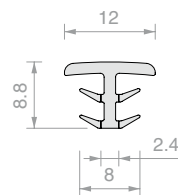
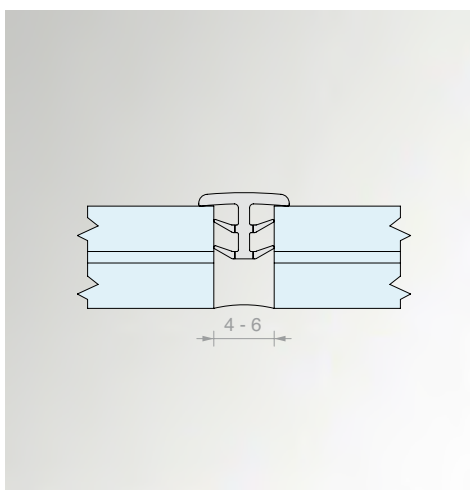


Art.	L	Qty
SP60ALL12	12 mm	1 Pc
SP60ALL15	15 mm	1 Pc
SP60ALL16	16 mm	1 Pc
SP60ALL20	20 mm	1 Pc



RIGID GASKET FOR SMALL LEAKS

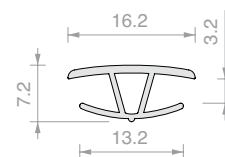
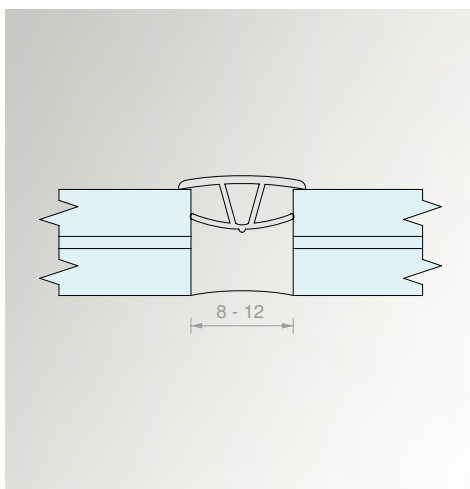
Material: PETG
Finish: transparent



Art.	Length	Qty
SP073000	3000 mm	1 Pc

SMALL SILICONE GASKET

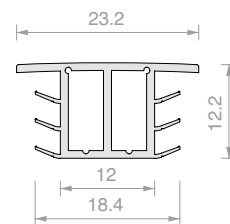
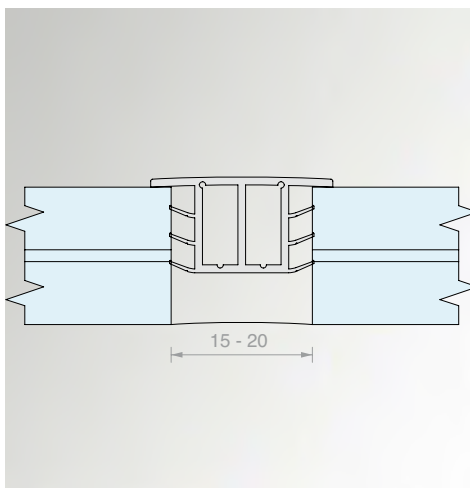
Material: Silicone
Finish: transparent



Art.	Qty
SP01	1 m

MEDIUM SILICONE GASKET

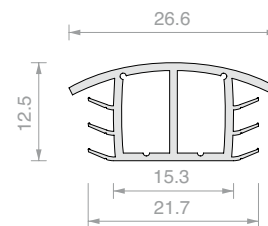
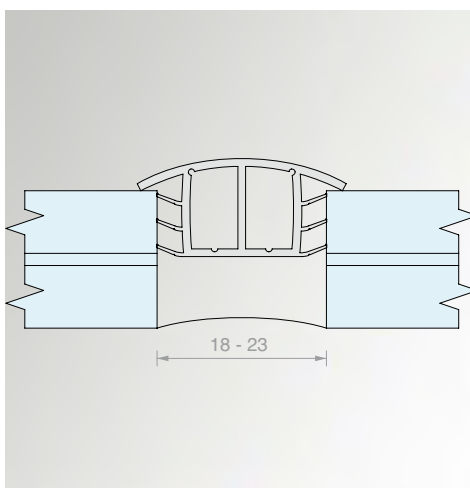
Material: Silicone
Finish: transparent



Art.	Qty
SP03	1 m

LARGE SILICONE GASKET

Material: Silicone
Finish: transparent



Art.	Qty
SP051	1 m





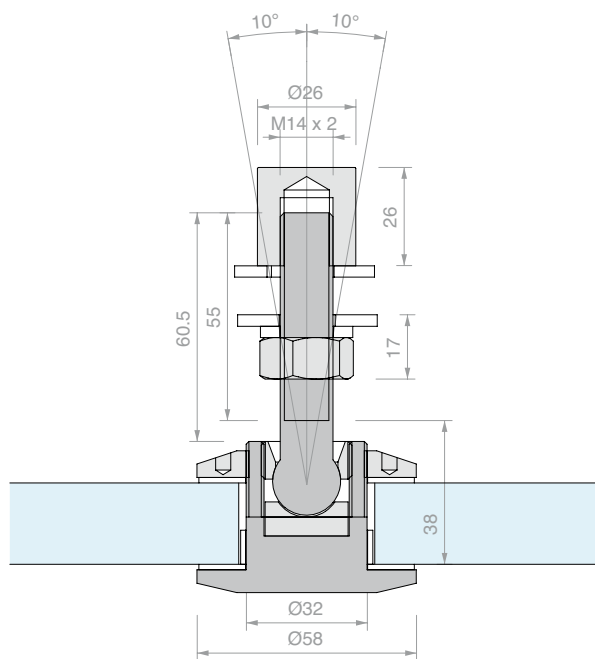
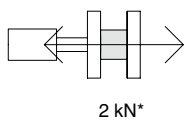
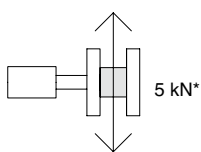
ARTICULATED ROTULE JOINT

Material: AISI 316 stainless steel

Recommended glass hole size Ø38 mm.

Finish: /9

Recommended tool for tightening: Art. UT300



Art.
ROT02

For glass
From 10 to 23 mm

Qty
1 Pc



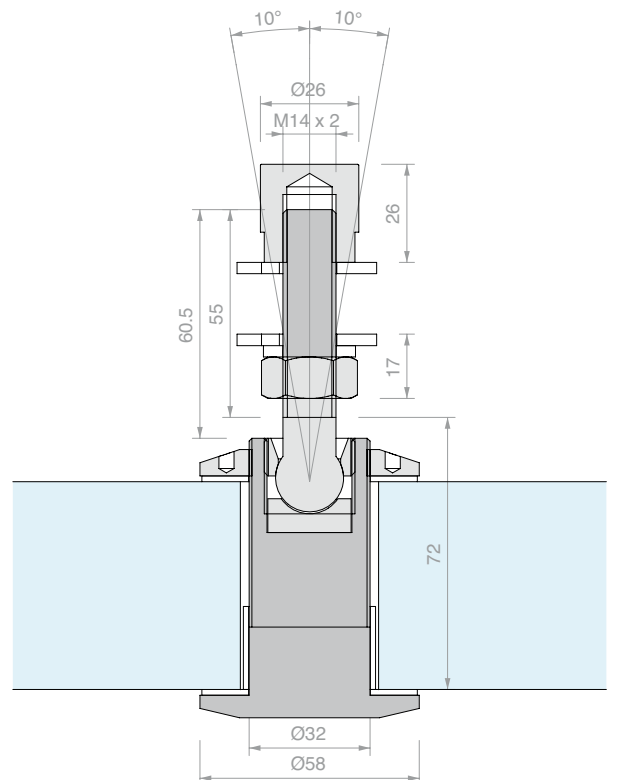
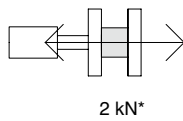
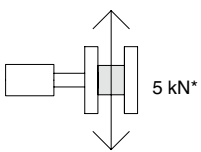
ARTICULATED ROTULE JOINT

Material: AISI 316 stainless steel

Recommended glass hole size Ø38 mm.

Finish: /9

Recommended tool for tightening: Art. UT300



Art.
ROT02D

For glass
From 23 to 57 mm

Qty
1 Pc



*the loads shown are the recommended values for pre-sizing as the maximum design load in the limit state, under the most common load conditions. These values are based on tests or numerical analysis and do not take into account the combined loads in different directions, nor the actual level of attachment provided by the substructure or loads linked to the formation of kinematic mechanisms or local or global phenomena. This information does not replace an assessment by a qualified engineer.



**FINISHES
RAL & SPECIALS
ON REQUEST***

RAL 1001 POLISHED RAL 8017 POLISHED RAL 5000 POLISHED RAL 3020 POLISHED RAL 7015 MATT RAL 9005 RIPPLED RAL RUST RIPPLED

CLASS 20 Minimum galvanisation thickness 20 micron
Suitable for outdoor installation, even in hostile environments

*the production times for custom paint finishes are assessed on a case-by-case basis.
Galvanised finishes are subject to minimum order quantities and productions times assessed on a case-by-case basis.

CUSTOM RAL COLOURS

PROTECTIVE PACKAGING
FOR EACH INDIVIDUAL PROFILE TO PREVENT SCRATHES
DURING TRANSPORT

SPECIAL CUTS
ON REQUEST



OUR SERVICES

CUSTOMISATION



CUSTOMER CARE



RAPID ORDER MANAGEMENT AND DISTRIBUTION



Disclaimer: the following is provided for information purposes only and is subject to revision and updates.

INSTALLATION GUIDANCE

During installation:

- Use neutral detergents to remove dirt, greasy marks and adhesive residues. Do not use abrasive materials.
- For aluminium profiles, to protect against corrosion with cuts and holes made after galvanisation, it is recommended to use sealants (e.g. silicone or butyl), paints (e.g. metal zinc spray) or other suitable corrosion inhibitors.

If installing during winter, it is recommended to take account of the thermal expansion which occurs in summer due to the increase in the ambient temperature, fitting suitable expansion joints.

The thermal expansion coefficient of aluminium is $2.3 \times 10^{-5} \text{ } ^\circ\text{C}^{-1}$: for example, if the increase in temperature is 35°C , the expansion of a 3 m bar is $2.3 \times 10^{-5} \text{ } ^\circ\text{C}^{-1} \times 35^\circ\text{C} \times 3 \text{ m} = 2.4 \times 10^{-3} \text{ m}$, i.e. 2.4 mm.

ANODISING

Anodising (also known as anodic oxidation) is an electrochemical process which induces the formation of an oxide (alumina) on the surface of the aluminium extrusion. **This treatment gives the product the following properties:**

- corrosion resistance
- surface hardness
- abrasion resistance

The colouration of the products has a purely aesthetic impact and does not alter the protection provided by the anodising.

Raw aluminium profiles, specifically those without anodising or painting, sold by Logli Massimo SpA, are to be given a suitable coating which the customer is responsible for applying. The customer shall discharge Logli Massimo SpA from any liability regarding any issues arising from the use of untreated materials. The customer also assumes all liability regarding the finish which it applies to the untreated profile.

Note: Galvanic corrosion: this is an issue which can arise at the interface between two different metals in the presence of an electrolyte (e.g. water, especially salt water). It involves an electrochemical process which causes the metal with the lowest electric potential to dissolve. In the most common combinations of metals, it is almost always aluminium which acts as the anode and therefore it corrodes. Obviously, this only occurs when the aluminium is untreated.

HANDLING AND CLEANING

Regular cleaning of the product is crucial for preserving the original appearance. In maritime and urban environments (polluting emissions in the atmosphere), it is recommended to clean the surfaces at least every three months. In relatively cleaner outdoor environments, the recommendation is to wash it every six months. For indoor installations, it is also recommended to clean the product at least once a year.

Wash with warm water and neutral detergent; use a soft cloth or a non-abrasive sponge. Rinse thoroughly with clean water. Dry with a soft cloth.

INDEX
VOLUME 2





Art.	Page	Art.	Page	Art.	Page	Art.	Page	Art.	Page
BARRAFIL-MIS	71	FLUIDOSX	118	PENG03.60	52	PENLT03DX	54	SP60ALL12	126
CANAL2513.150	71	GC-CAV100	85	PENGRY	31	PENLT03SX	54	SP60ALL15	126
CANAL2513.200	71	GC-CAV15KIT2	78	PENKIT10	29	PENLT05DX	54	SP60ALL16	126
CANAL2513TP	71	GC-CAV15KIT3	82	PENKIT15	29	PENLT05SX	54	SP60ALL20	126
CANAL2515.150	71	GC-CAV300	85	PENKIT20	28	PENLT07DX	54	SPC1000	119
CANAL2515.200	71	GC-CAV30KIT2	78	PENKIT30	28	PENLT07SX	54	SPV1000	119
CANAL2515TP	71	GC-CAV30KIT3	82	PENL.15	51	PENLT11DX	55	STR10	119
CANAL2519.150	71	GC-GZT130	85	PENL.15FORO	58	PENLT11SX	55	STR12	119
CANAL2519.200	71	GC-PERN120	85	PENL.20	51	PENLT13DX	55	STR14	119
CANAL2519TP	71	GC-PERN270	86	PENL.20FORO	58	PENLT13SX	55	STR18	119
CANAL2523.150	86	GC-PEROUT162	84	PENL.30	51	PENLT15DX	55	STR8	119
CANAL2523.200	86	GC-ROT101	84	PENL.30FORO	58	PENLT15SX	55	UT200	87
CANAL2523TP	86	GC-ROT145	84	PENL.60	51	PENLT17DX	55	UT250	87
CANAL2527.150	86	GC-SNOD143	84	PENL.60FORO	58	PENLT17SX	55	UT300	87
CANAL2527.200	86	GC-SNOD1510KIT2	76	PENL.FORO	58	PENLT21DX	56	UTC200R	87
CANAL2527TP	86	GC-SNOD1510KIT3	80	PENLCOV03.15	53	PENLT21SX	56	UTC250R	87
CHSETT19	87	GC-SNOD1512KIT2	77	PENLCOV03.20	53	PENLT23DX	56	UTC300R	87
CHSETT32	87	GC-SNOD1512KIT3	81	PENLCOV03.30	53	PENLT23SX	56	W.650.010.300	106
CL-CAV15KIT2	69	GC-SNOD3010KIT2	76	PENLCOV03.60	53	PENLVIT	57	W.650.010.400	106
CL-SNOD156KIT2	68	GC-SNOD3010KIT3	80	PENLCOV05.15	53	PENP10	31	W.650.010.600	106
CL-SNOD158KIT2	68	GC-SNOD3012KIT2	77	PENLCOV05.20	53	PENP15	31	W.650.260	107
DF25	57	GC-SNOD3012KIT3	81	PENLCOV05.30	53	PENP20	31	W.650.620	107
DFFH10A4	59	GC-TEND130	85	PENLCOV05.60	53	PENP30	31	W.650.901	107
DFFH10ZN	59	GCL15	70	PENLCOV07.15	53	PENT01	33	W.651.023.300	104
DFFH12A4	59	GCL19	70	PENLCOV07.20	53	PENT03	33	W.651.024.400	104
DFFH12ZN	59	GCL21	70	PENLCOV07.30	53	PENT05	33	W.651.025.600	104
DFFLEX04	59	GCL23	70	PENLCOV07.60	53	PENTAGLIO	33	W.651.033.300	105
DFFLEX06	58	HAND13040VHB	108	PENLGNKT	57	POOL50C	111	W.651.034.400	105
DFFLEX07	59	LED24035IP	61	PENLGRY	51	POOL50SQ	111	W.651.035.600	105
DFMAK21	58	LED24060IP	61	PENLGRYKIT5	51	PROALUXG	71	W.651.220	106
DFP88G01	32	LED24100IP	61	PENLKIT1010.15	43	PROALUXG400	71	W.651.230	106
DFP88G01.03	32	LED24150IP	61	PENLKIT1010.20	43	ROT02	128	W.651.251	107
DFP88G01.60	32	LEDST001	61	PENLKIT1010.30	42	ROT02D	129	W.651.256	107
DFPG03	52	LEDST002	61	PENLKIT1010.60	42	SP01	127	W.651.263	108
DFPG03.03	52	LMU11.15	57	PENLKIT88.15	41	SP03	127	W.651.264	108
DFPG03.60	52	LMU11.20	57	PENLKIT88.20	41	SP051	127	W.651.265	108
DFPG82	52	LMU11.30	57	PENLKIT88.30	40	SP073000	127	W.651.273	108
DFPG82.03	52	METAP250	56	PENLKIT88.60	40	SP2201	121	W.651.274	108
DFPG82.60	52	PENALU.15	53	PENLKITL1010.15	49	SP2202	121	W.651.275	108
DW895NE	88	PENALU.20	53	PENLKITL1010.20	49	SP2203	122	W.651.520.250	106
FLUIDO1	117	PENALU.30	53	PENLKITL1010.30	48	SP2204	122	W.651.520.500	106
FLUIDO100	116	PENALU.60	53	PENLKITL1010.60	48	SP2205	123	W.ATR803VDX.300	98
FLUIDO180	115	PENC01SIAEST	31	PENLKITL88.15	47	SP2206	123	W.ATR803VSX.300	98
FLUIDO2	117	PENCH	32	PENLKITL88.20	47	SP220L01	124	W.ATR804VDX.400	100
FLUIDO270	114	PENG01	32	PENLKITL88.30	46	SP220L02	124	W.ATR804VSX.400	100
FLUIDO360	114	PENG01.60	32	PENLKITL88.60	46	SP220L03	125	W.ATR805VDX.600	102
FLUIDO45	116	PENG03	32	PENLSC	56	SP220L04	125	W.ATR805VSX.600	102
FLUIDO90	115	PENG03	52	PENLT01DX	54	SP220Z	126		
FLUIDODX	118	PENG03.60	32	PENLT01SX	54	SP220Z04	126		

FINISHES



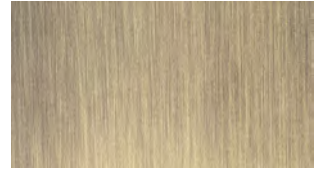
/1
Chrome



/2
Gold



/3
Brushed nickel



/4
Bronze



/5
White



/6
Matt black



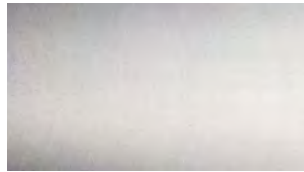
/7
Matt chrome



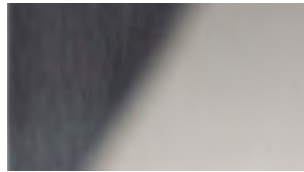
/8
Brushed steel



/9
Machining steel (CNC)



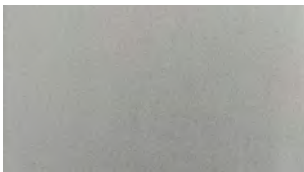
/10
Raw aluminium



/15
Polished steel



/24
Brushed steel effect



/45
Matt aluminium effect



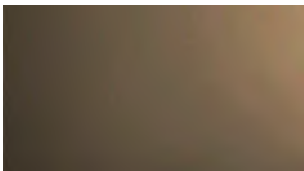
/56
Grey



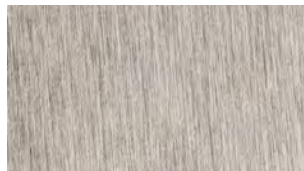
/65
Matt black



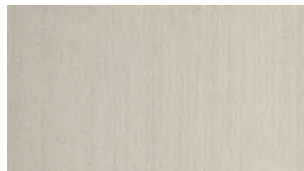
/66
Champagne aluminium



/67
Dark brushed bronze aluminium



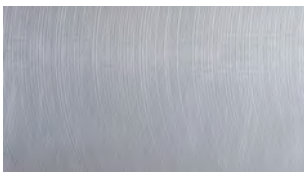
/83
PVD brushed steel



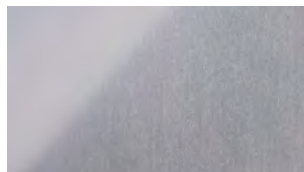
/88
Brushed steel effect aluminium



/89
Galvanised iron



/90
Machining aluminium



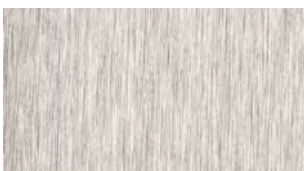
/91
Polished aluminium



/92
Matt nickel



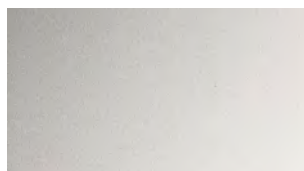
/93
Brass coated



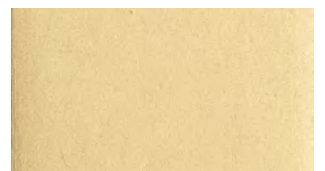
/94
Brushed chrome



/95
Nickel-coated



/97
Matt aluminium



/99
Brushed gold



/R2
RAL9005 matt black



/R6
RAL9016 matt traffic white



/R13
RAL7016 matt anthracite grey



/RAL
RAL9010 polished white