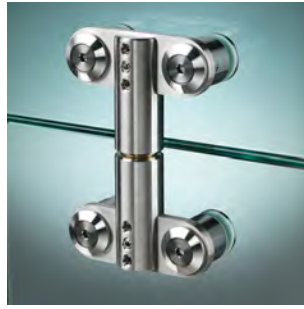


SYSTEMS FOR HINGED DOORS





PIVOT HINGES

Page 459



DOOR CLOSER

Page 494



**HYDRAULIC
PIVOT HINGE**

Page 505



SIDE HINGES

Page 509



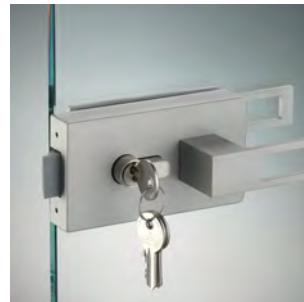
**SIDE SPRING
HINGES**

Page 523



HINGES FOR DOOR JAMBS

Page 517



MODULAR LOCKS

Page 525



DOOR STOPS

Page 554



GLASS SEALING GASKETS

Page 556



**BOTTOM SEALING
PROFILES**

Page 558



NOTE: dimensions marked with an asterisk must be checked, depending on the other components used on the glass. In case of any doubts, please contact the LOGLI Customer Car department.

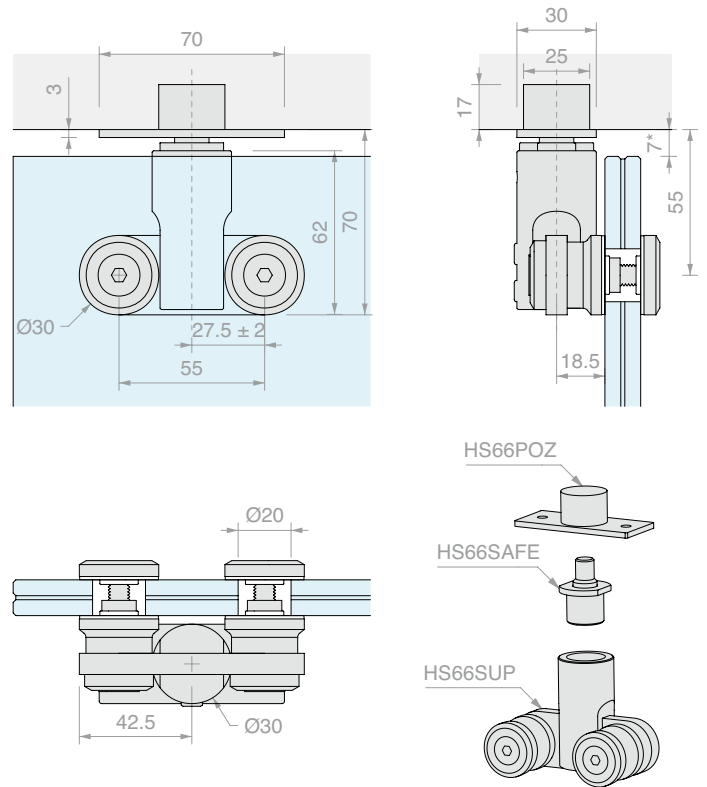


UPPER HINGE KIT HS66

Material: AISI 316 steel

Recommended glass hole size Ø20 mm

Finish: /9



Art.	For glass	Qty
HS66100	From 8 to 13.5 mm	1 Pc

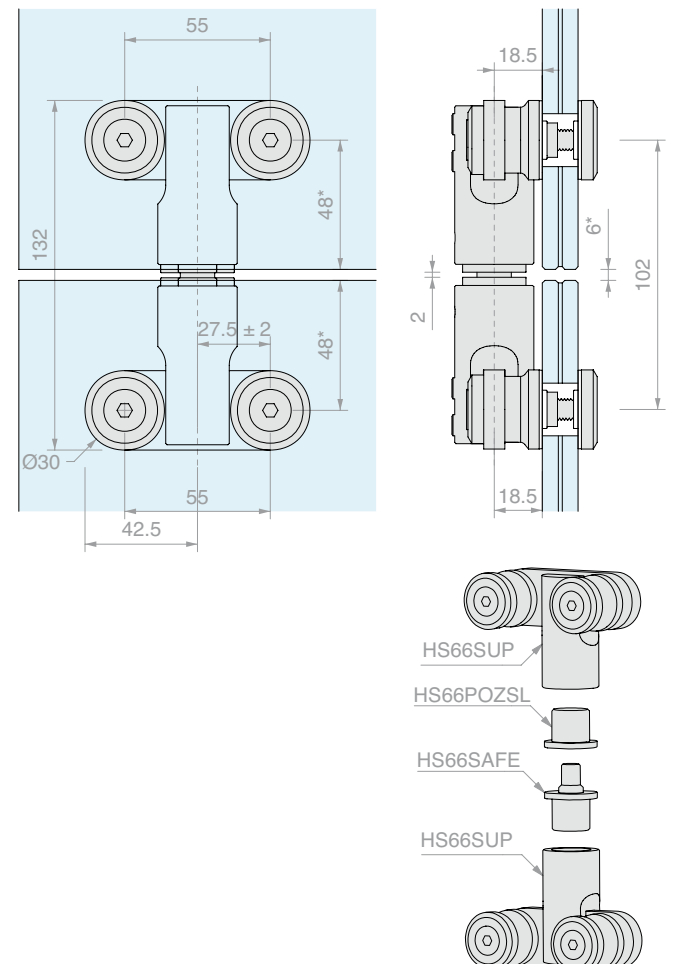


HINGE KIT FOR TRANSOM HS66

Material: AISI 316 steel

Recommended glass hole size Ø20 mm

Finish: /9



Art.	For glass	Qty
HS66200	From 8 to 13.5 mm	1 Pc

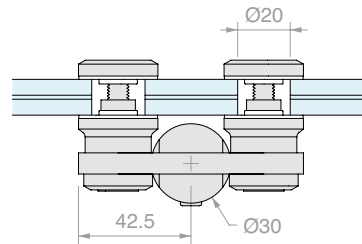
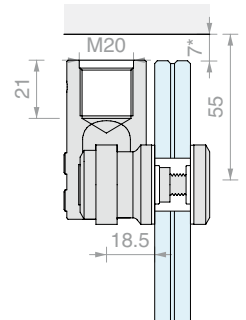
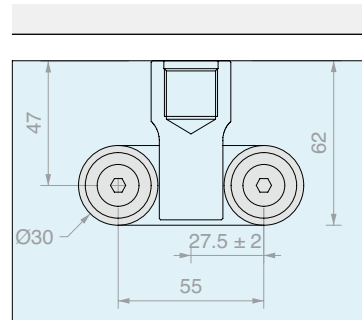


HS66 UPPER

Material: AISI 316 steel

Recommended glass hole size Ø20 mm

Finish: /9



Art.	For glass	Qty
HS66SUP	From 8 to 13.5 mm	1 Pc

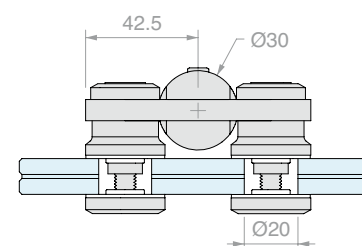
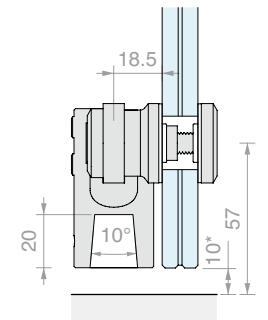
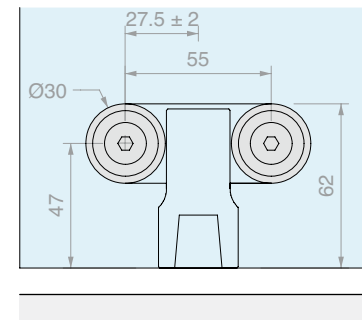


HS66 LOWER

Material: AISI 316 steel

Recommended glass hole size Ø20 mm

Finish: /9



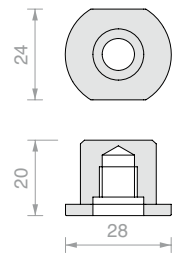
Art.	For glass	Fixing	Qty
HS66INF	From 8 to 13.5 mm	French	1 Pc



SOCKET FOR TRANSOM

Material: Brass

For a transom with upper socket together with Art. HS66SUP



Art.

HS66POZSL

Q.ty

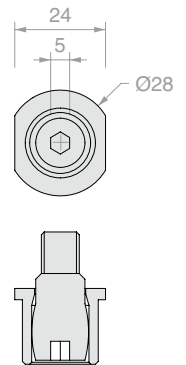
1 Pc



"SAFE SEAT" PIN

Material: Brass

Pivot with "safe seat" safety technology for supporting the door if the glass panel breaks



Art.

HS66SAFE

Q.ty

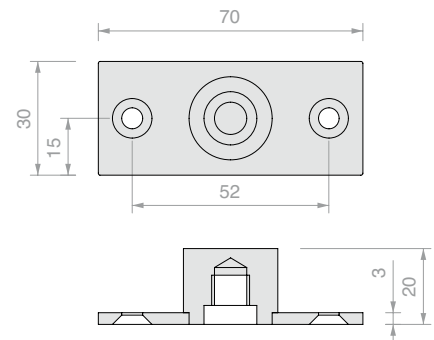
1 Pc



UPPER CEILING SOCKET

Material: AISI 316 steel

Finish: /8



Art.

HS66POZ

Q.ty

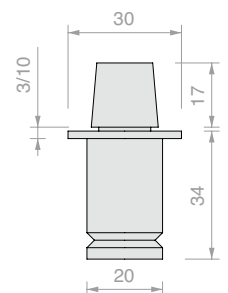
1 Pc



FLOOR PIN HD3303

Material: Brass

Finish: /1 /3



Art.

HD3303

Fixing

French

Qty

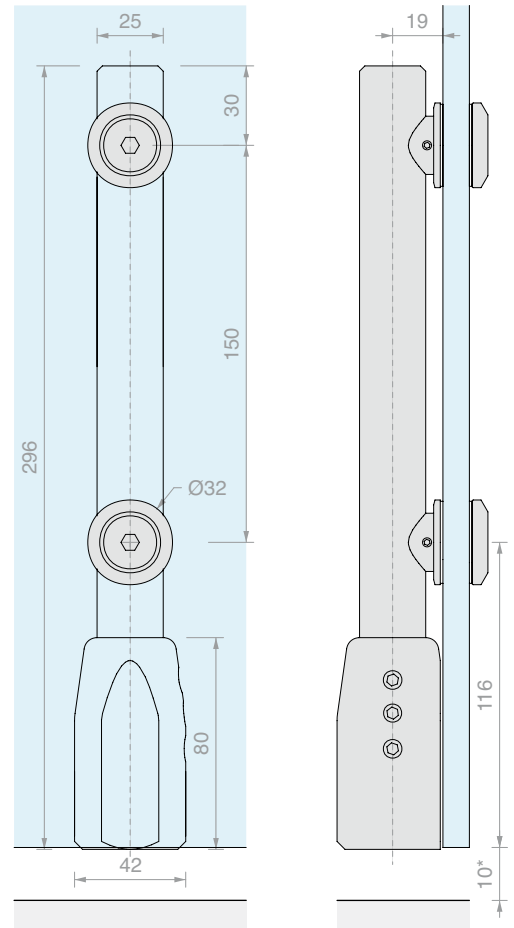
1 Pc





LOWER PIVOT HINGE

Material: AISI 316 steel
 Recommended glass hole size Ø18 mm
 Finish: /9

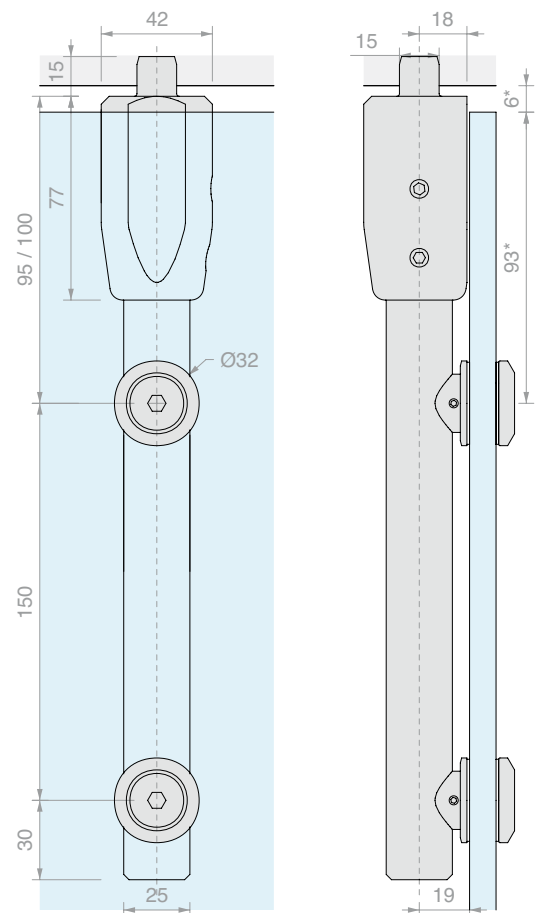


Art.	For glass	Fixing	Qty
PIVOTB002	From 10 to 13.5 mm	German	1 Pc



UPPER PIVOT HINGE

Material: AISI 316 steel
 Recommended glass hole size Ø18 mm
 For ceiling mounting, requires socket
 Art. PIVOTS011.
 Finish: /9



Art.	For glass	Qty
PIVOTB004	From 10 to 13.5 mm	1 Pc

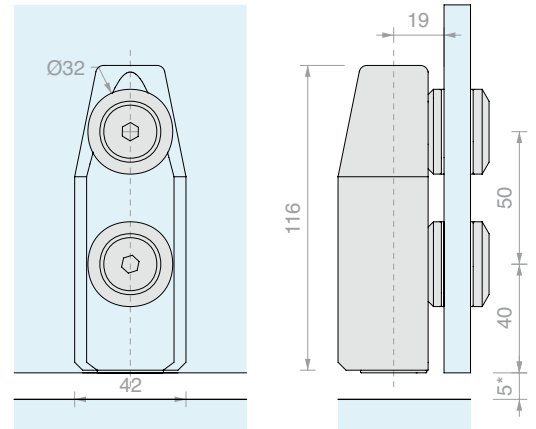


TRANSOM FITTING 006

Material: AISI 316 steel

Recommended glass hole size Ø18 mm

Finish: /9



Art.	For glass	Qty
PIVOTB006	From 10 to 13.5 mm	1 Pc

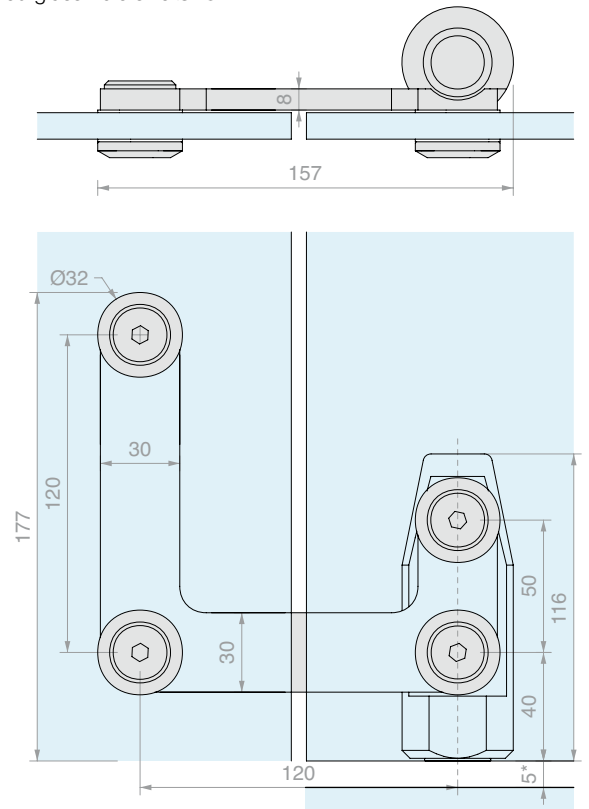


TRANSOM FITTING WITH BRACKET 008

Material: AISI 316 steel

Recommended glass hole size Ø18 mm

Finish: /9

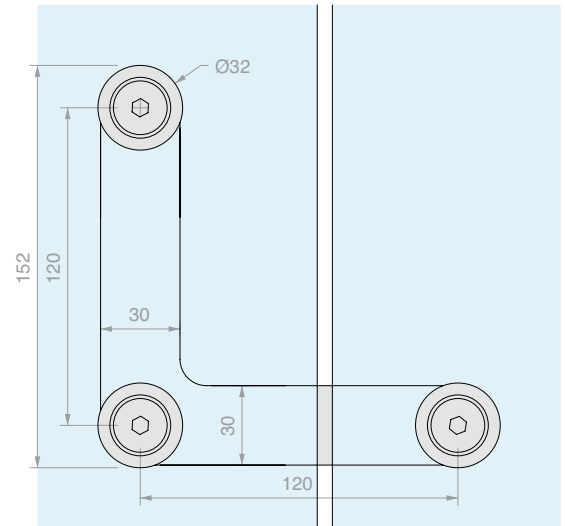
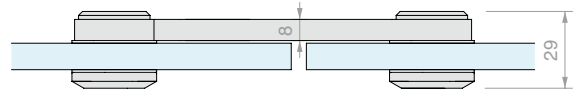


Art.	For glass	Qty
PIVOTB008	From 10 to 13.5 mm	1 Pc



BRACKET WITH CONNECTORS

Material: AISI 316 steel
 Recommended glass hole size Ø18 mm
 Finish: /9

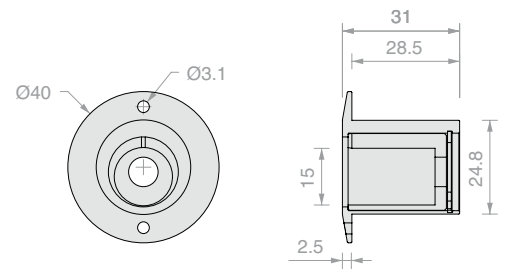


Art.	For glass	Qty
PIVOTB010	From 10 to 13.5 mm	1 Pc



UPPER ECCENTRIC SOCKET

Material: AISI 316 steel
 Finish: /9
 Alternatively, Art. HS1010SPL may be used

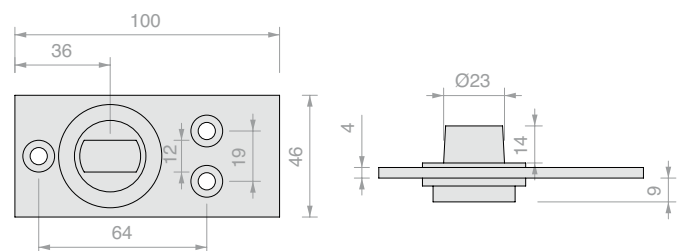


Art.	Qty
PIVOTS011	1 Pc



FREE FLOOR PIN WITH PLATE

Material: AISI 304 steel
 Comes with 3 screws for anchoring to the floor and a trim plate for the black plastic ferrule.
 Finish: /8



Art.	Fixing	Qty
PIVOTS014	German	1 Pc

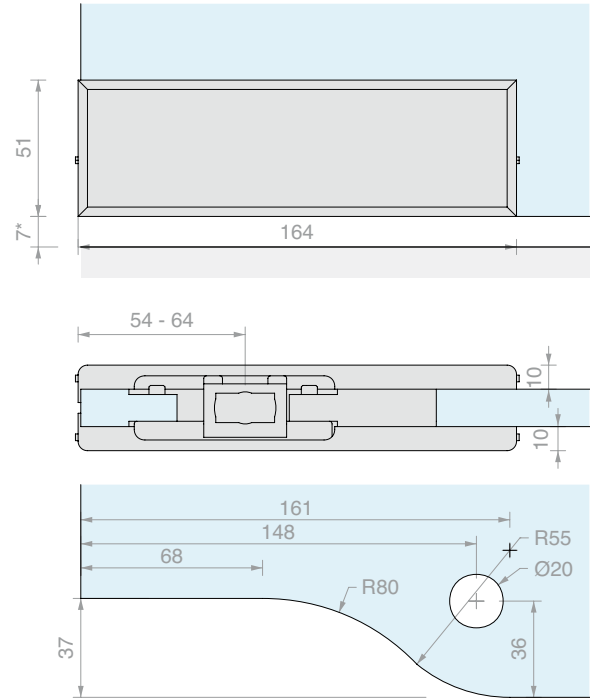




LOWER HINGE GF100

Material: Aluminium body, stainless steel AISI 316 cover

Finish: /8 /15



Art.	For glass	Fixing	Qty
GF100	From 10 to 13.5 mm	German	1 Pc

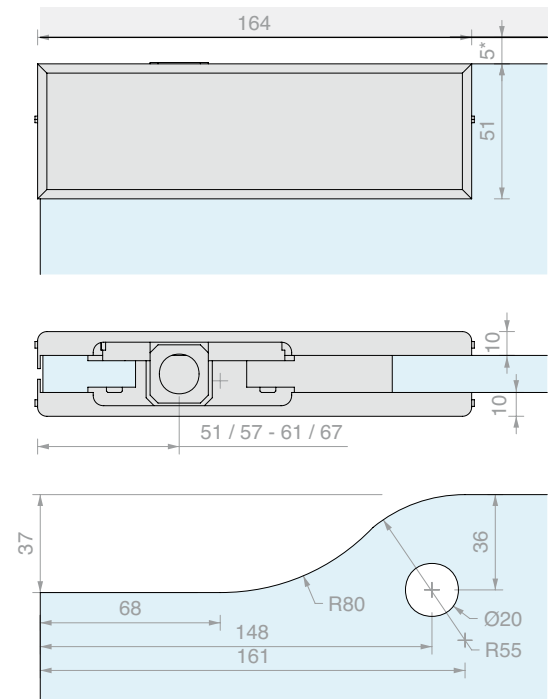


UPPER HINGE GF200

Material: Aluminium body, stainless steel AISI 316 cover

For ceiling mounting, requires pivot Art. GL8815 or GL8819.

Finish: /8 /15



Art.	For glass	Qty
GF200	From 10 to 13.5 mm	1 Pc

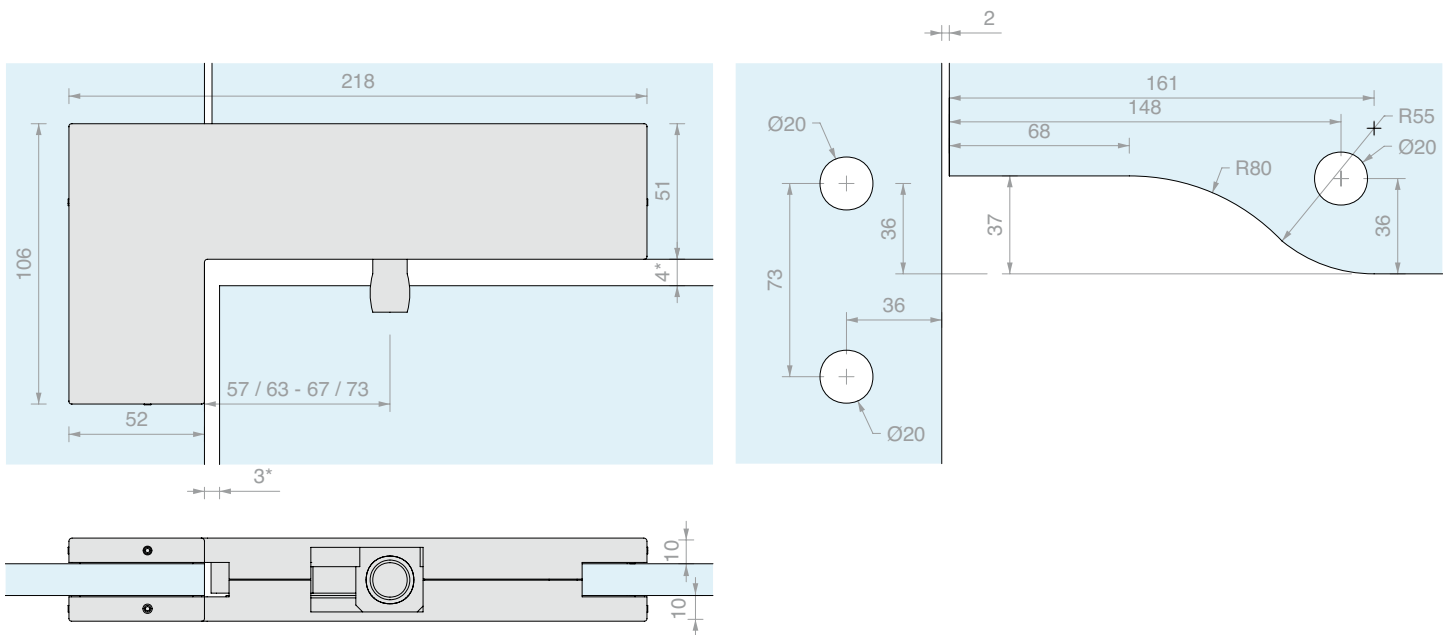


TRANSOM HINGE GF400

Material: Aluminium body, stainless steel AISI 316 cover

Optional door stop Art. GL7200

Finish: /8 /15



Art.	For glass	Qty
GF400	From 10 to 13.5 mm	1 Pc

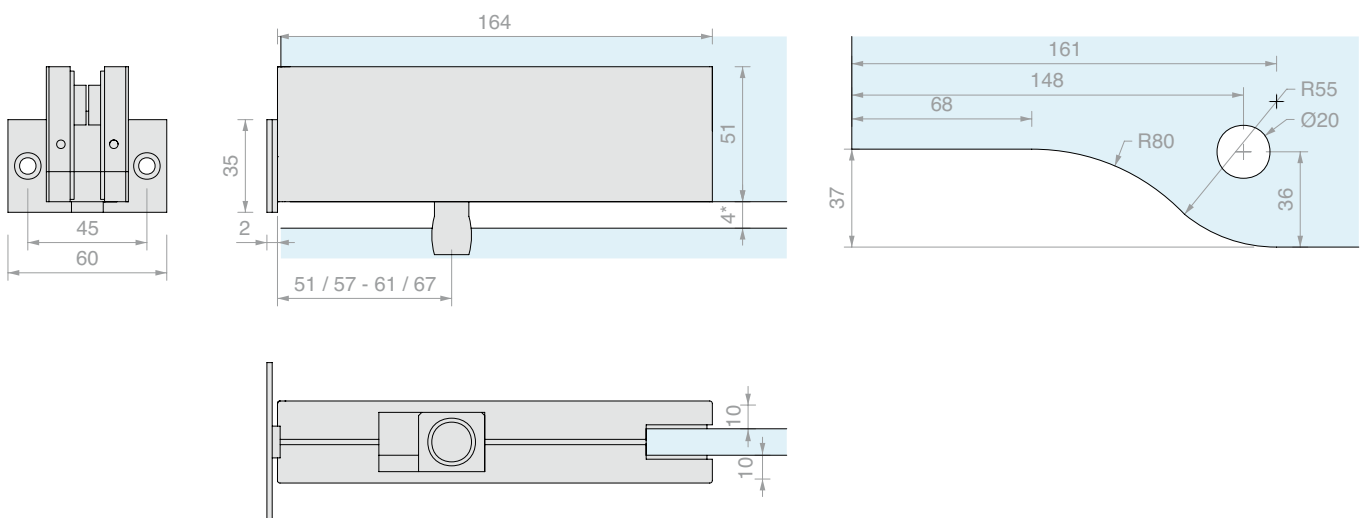


WALL HINGE FOR TRANSOM GF210

Material: Aluminium body, stainless steel AISI 316 cover

Removable wall plate

Finish: /8 /15



Art.	For glass	Qty
GF210	From 10 to 13.5 mm	1 Pc

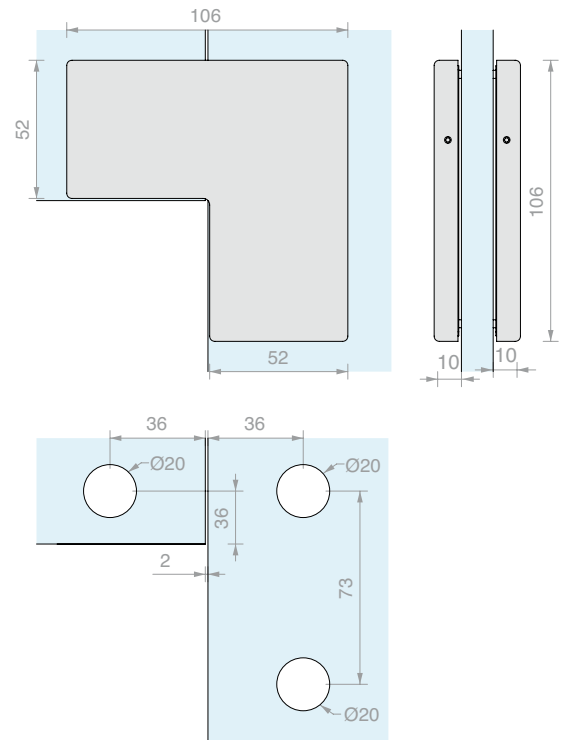


L-CLAMP GF600

Material: Aluminium body, stainless steel AISI 316 cover

Supplied with door stop Art. GL7100

Finish: /8 /15



Art.	For glass	Qty
GF600	From 10 to 13.5 mm	1 Pc

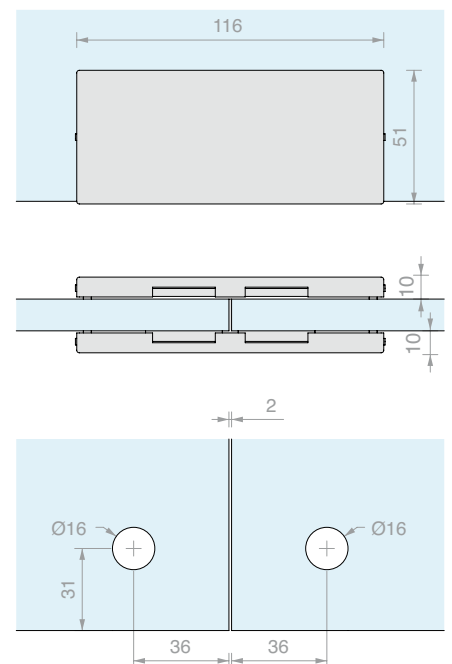


STRAIGHT CLAMP GF700

Material: Aluminium body, stainless steel AISI 316 cover

Optional door stop Art. GL7100

Finish: /8 /15

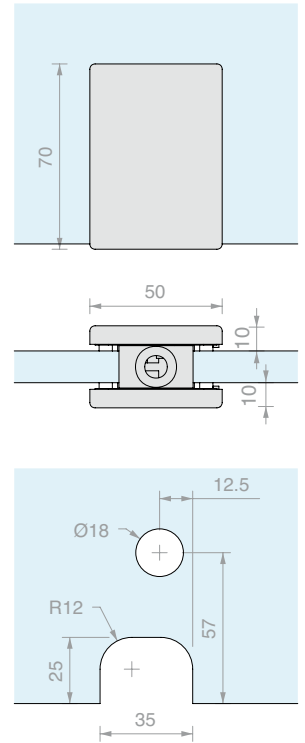


Art.	For glass	Qty
GF700	From 10 to 13.5 mm	1 Pc



CLAMP FOR FIXED GLASS GF150

Material: Aluminium body,
stainless steel AISI 316 cover
Finish: /8 /15

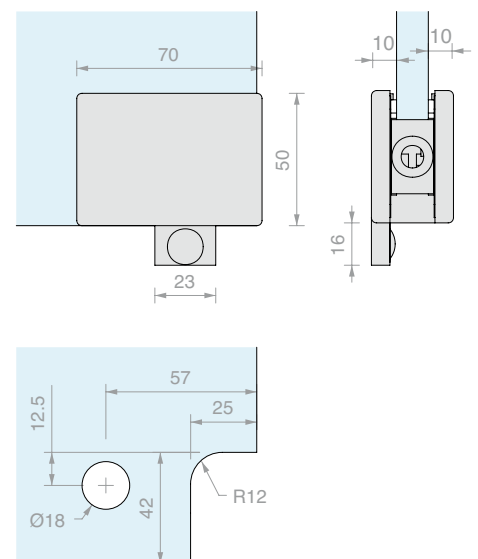


Art.	For glass	Qty
GF150	From 10 to 13.5 mm	1 Pc



CLAMP FOR FIXED GLASS WITH STOP GF150F

Material: Aluminium body,
stainless steel AISI 316 cover
Finish: /8 /15

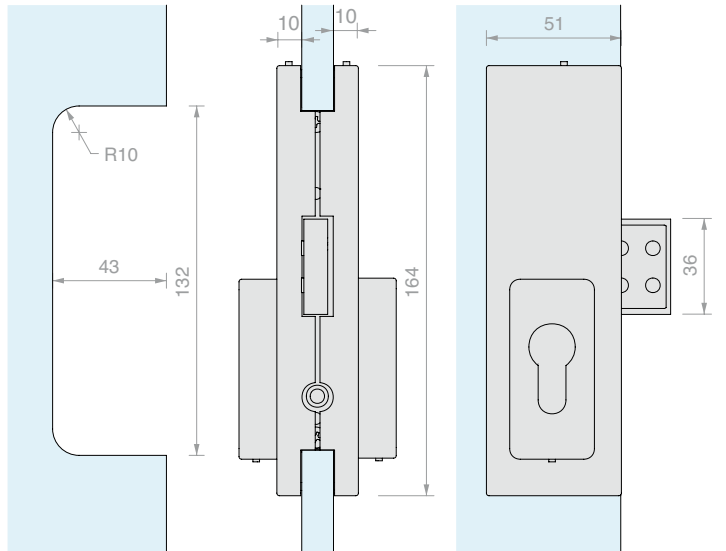
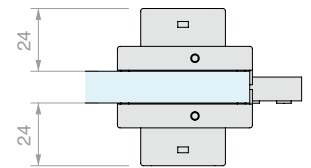


Art.	For glass	Qty
GF150F	From 10 to 13.5 mm	1 Pc



LOCK WITH RECTANGULAR PIN GL200

Material: Aluminium body,
stainless steel AISI 316 cover
With European cylinder, 3 keys
Finish: /8 /15

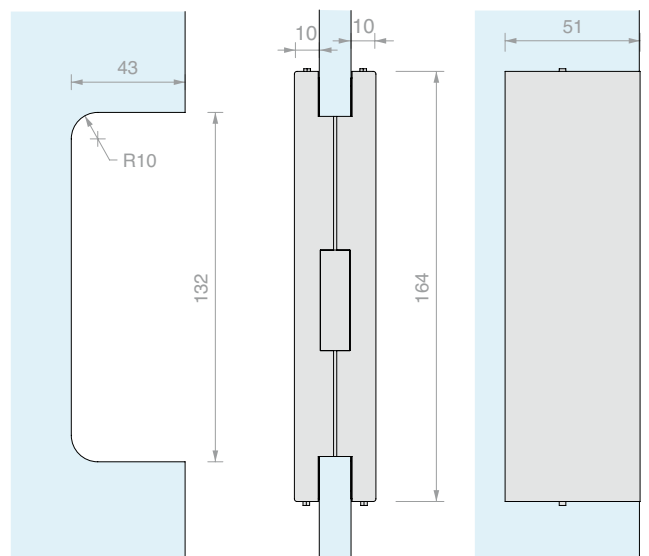
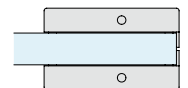


Art.	Lock	Key	For glass	Qty
GL200S	Lock + lock	Different	From 10 to 13.5 mm	1 Pc
GL200SU	Lock + lock	Single	From 10 to 13.5 mm	1 Pc
GL200P	Door knob + lock	Different	From 10 to 13.5 mm	1 Pc



LOCK CASE GK200

Material: Aluminium body,
stainless steel AISI 316 cover
Finish: /8 /15



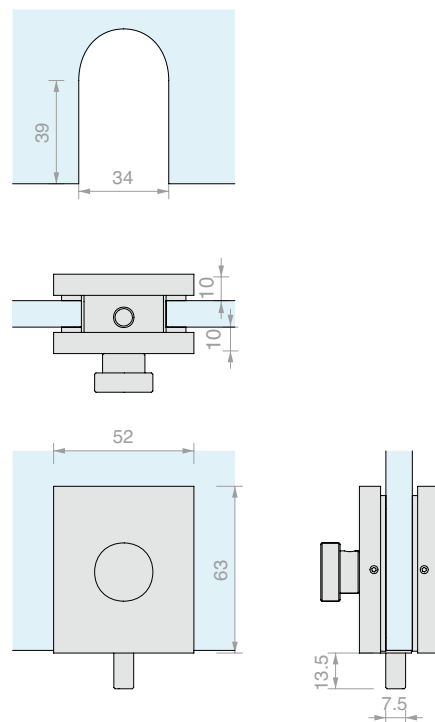
Art.	For glass	Qty
GK200	From 10 to 13.5 mm	1 Pc



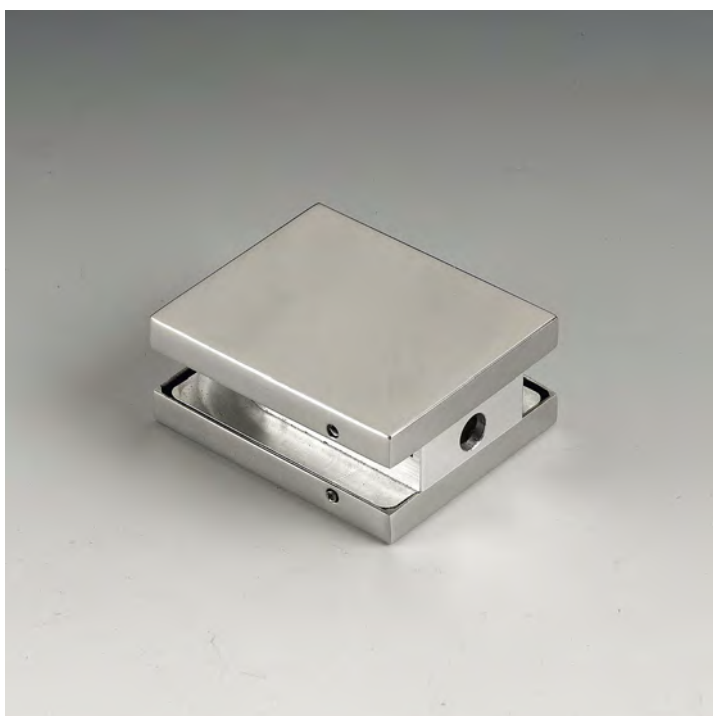
BOLT GL800

Material: Aluminium body,
stainless steel AISI 316 cover

Finish: /8 /15



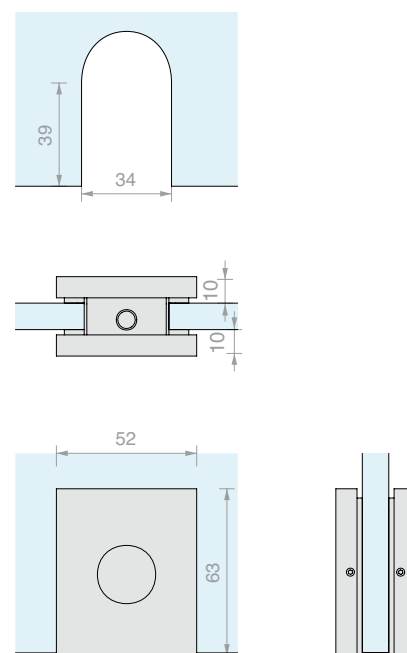
Art.	For glass	Qty
GL800	From 10 to 13.5 mm	1 Pc



STRIKING PLATE FOR BOLT GK800

Material: Aluminium body,
stainless steel AISI 316 cover

Finish: /8 /15

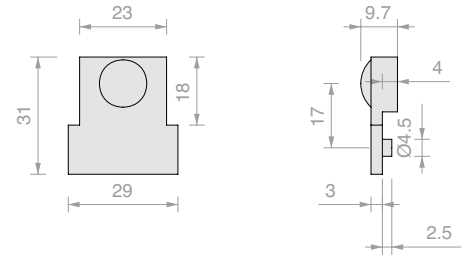


Art.	For glass	Qty
GK800	From 10 to 13.5 mm	1 Pc



DOOR STOP 100

Material: Die cast aluminium body, PVC
Compatible with Art. GF600 and GF700
Colour: black

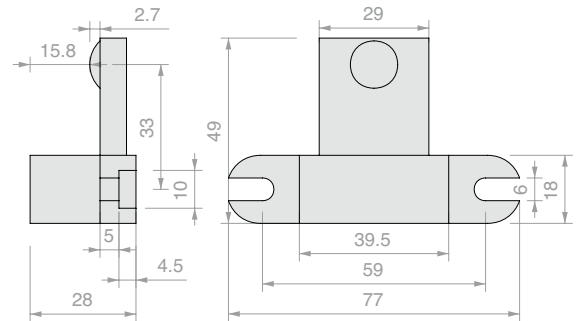


Art.	Qty
GL7100	1 Pc



DOOR STOP 200

Material: Die cast aluminium body, PVC
Compatible with Art. GF400
Colour: black

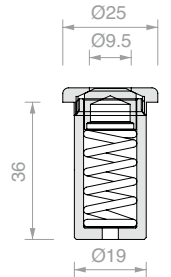


Art.	Qty
GL7200	1 Pc



ANTI-DUST SOCKET

Material: brass
Finish: /1 /3

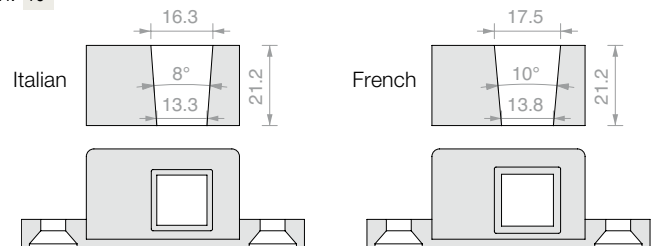


Art.	Qty
GL7300	1 Pc



INSERT FOR FRENCH AND ITALIAN PINS

Material: AISI 304 steel
Compatible with Art. GF100
Finish: /9



Art.	Fixing	Qty
GL7439	Italian	1 Pc
GL7433	French	1 Pc

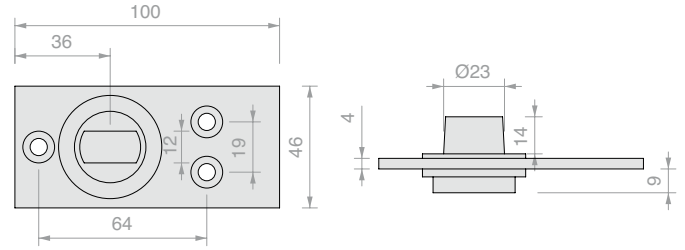


FREE FLOOR PIN WITH PLATE

Material: AISI 304 steel

Comes with 3 screws for anchoring to the floor and a trim plate for the black plastic ferrule.

Finish: /8



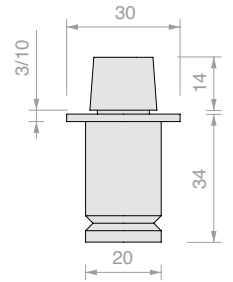
Art.	Fixing	Qty
PIVOTS014	German	1 Pc



FLOOR PIN ML

Material: Brass

Finish: /1 /3



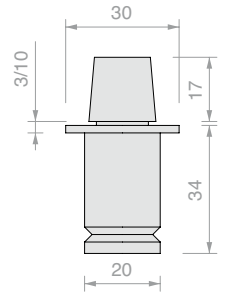
Art.	Fixing	Qty
GARDAML	Italian	1 Pc



FLOOR PIN TD

Material: Brass

Finish: /1 /3



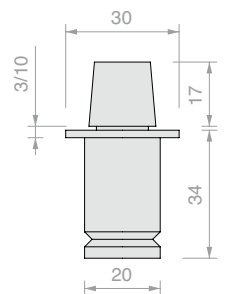
Art.	Fixing	Qty
GARDATD	German	1 Pc



FLOOR PIN HD3303

Material: Brass

Finish: /1 /3



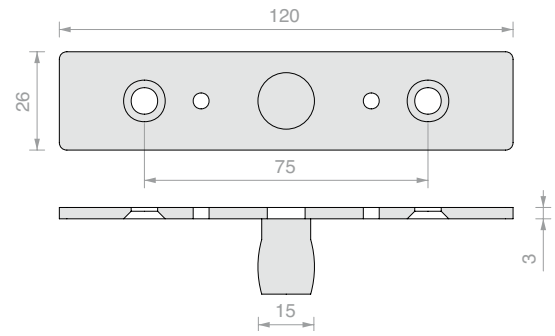
Art.	Fixing	Qty
HD3303	French	1 Pc



UPPER PLATE 8815

Material: AISI 304 steel

Finish: /9



Art.

Qty

GL8815

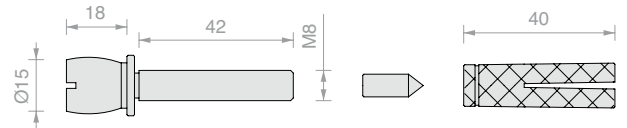
1 Pc



CEILING FLUSH FIT PIN 8819

Material: Galvanised steel

Compatible with Art. GF200

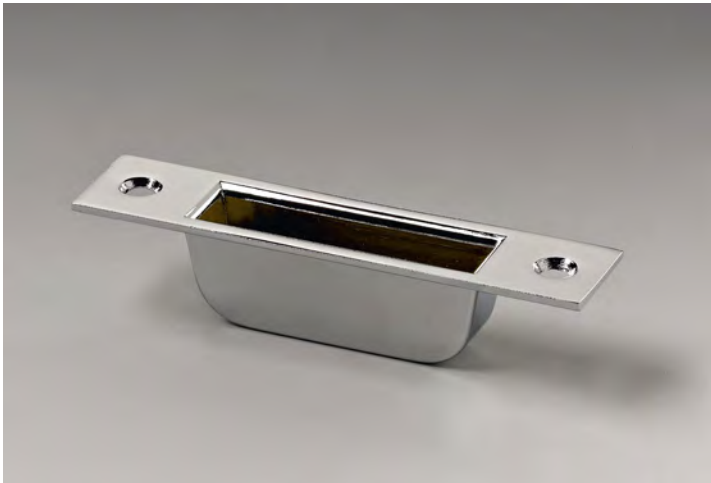


Art.

Qty

GL8819

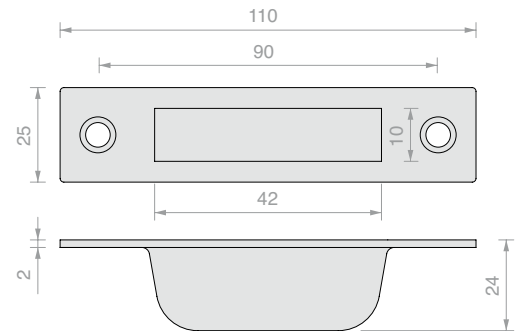
1 Pc



FLOOR HOUSING GL8823

Material: AISI 304 stainless steel

Finish: /8 /15



Art.

Qty

GL8823

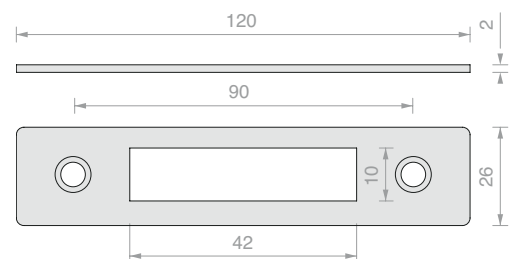
1 Pc



WALL HOUSING GL8824

Material: AISI 304 steel

Finish: /9



Art.

Qty

GL8824

1 Pc



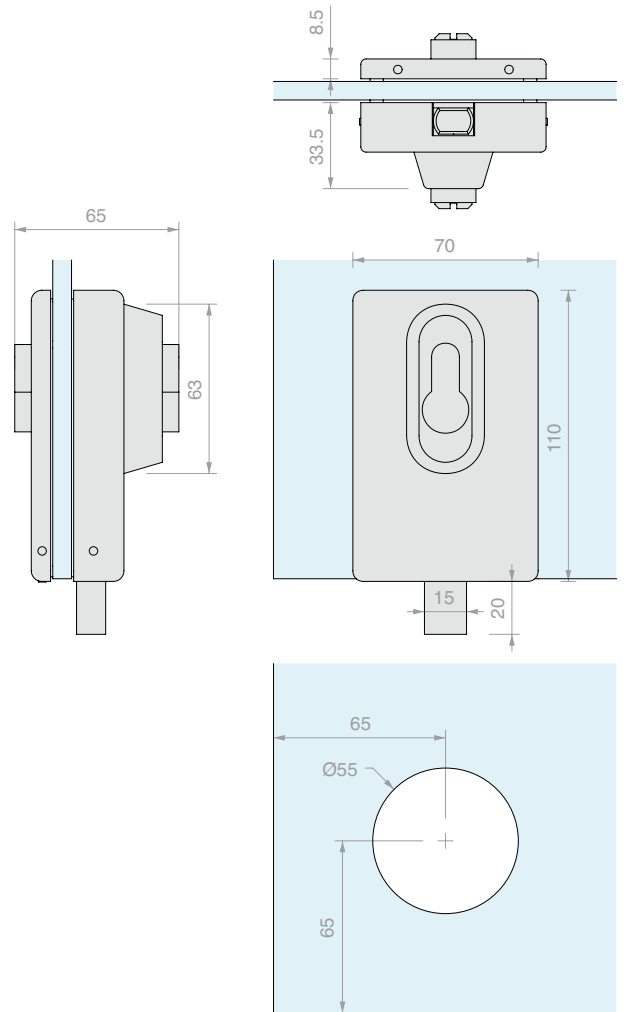
LOCK LT500

Material: Aluminium body, stainless steel AISI 316 cover

With European cylinder with 3 keys

Includes wall plate

Finish: /8 /15



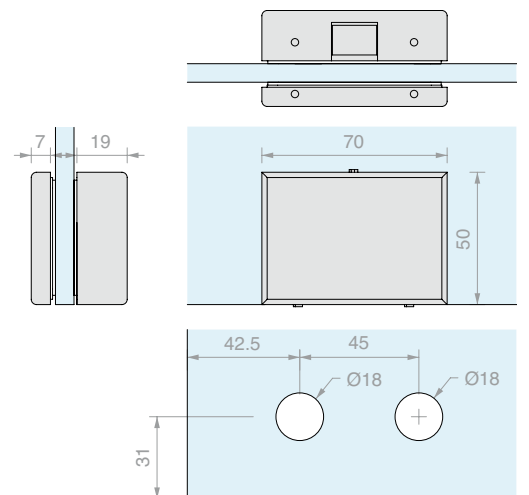
Art.	For glass	Key	Qty
GL10	From 8 to 12 mm	Different	1 Pc



LOCK CASE LT501

Material: Aluminium body, stainless steel AISI 316 cover

Finish: /8 /15



Art.	For glass	Qty
GL25	From 8 to 12 mm	1 Pc





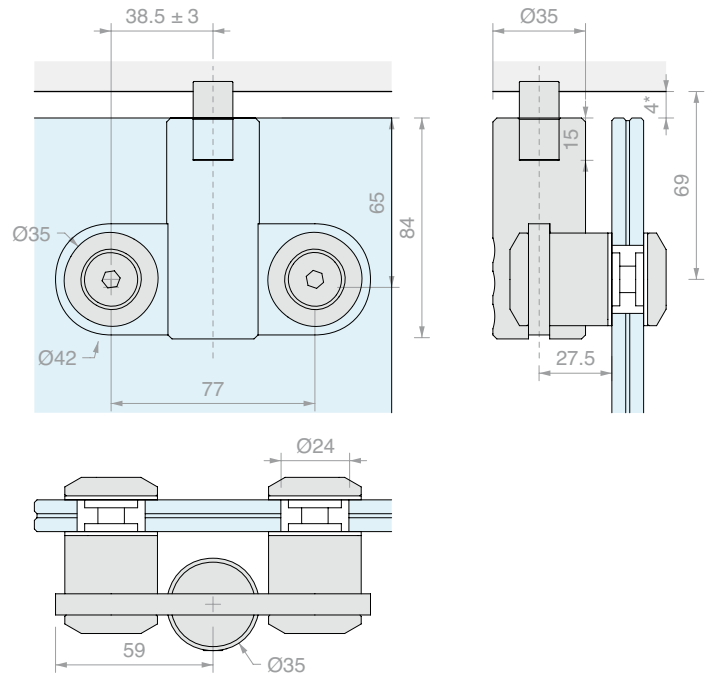
UPPER HINGE WITH STUDS HS1010

Material: AISI 316 steel

Recommended glass hole size Ø24 mm

For ceiling mounting, requires socket Art. HS1010SPL

Finish: /9



Art.	For glass	Qty
HS1010SB	From 8 to 21.5 mm	1 Pc



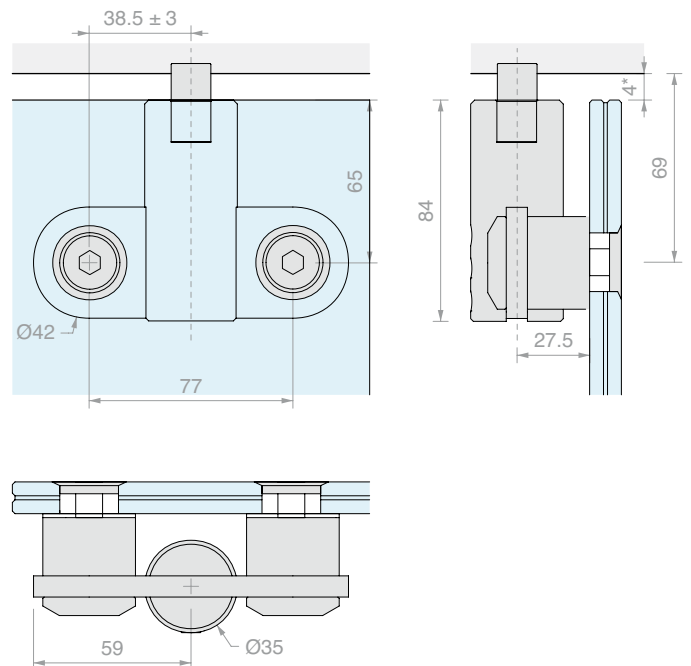
UPPER HINGE COUNTERSUNK HS1010

Material: AISI 316 steel

Recommended glass hole size Ø22 countersink 3 mm

For ceiling mounting, requires socket Art. HS1010SPL

Finish: /9

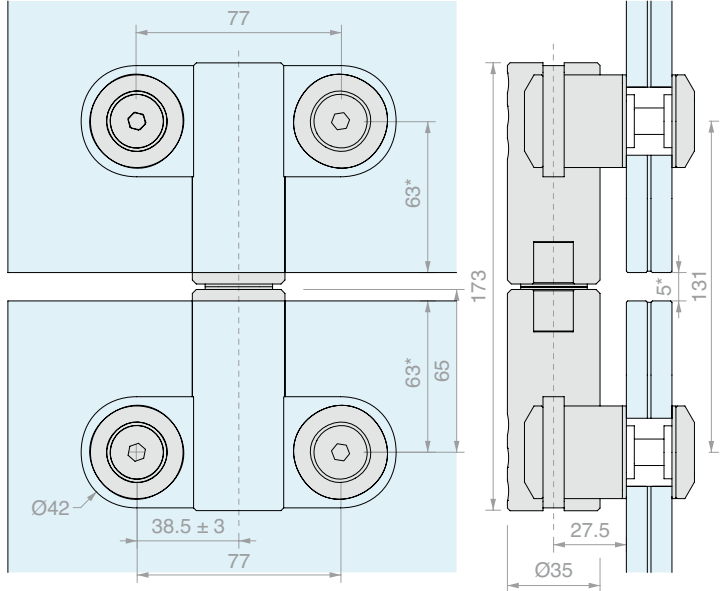


Art.	For glass	Qty
HS1010SS	From 8 to 21.5 mm	1 Pc



UPPER HINGE WITH STUDS HS1010 WITH ATTACHMENT FOR TRANSOM

Material: AISI 316 steel
Recommended glass hole size Ø24 mm
Finish: /9

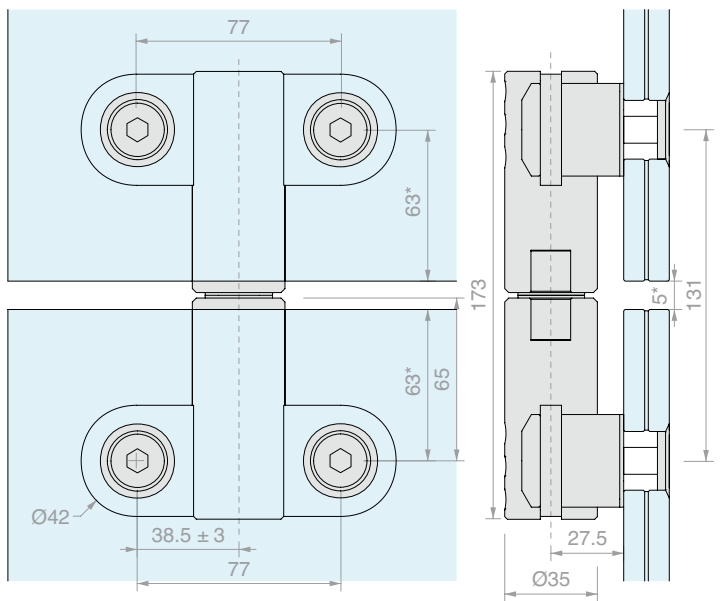


Art.	For glass	Qty
HS1010SSB	From 8 to 21.5 mm	1 Pc



UPPER HINGE COUNTERSUNK HS1010 WITH ATTACHMENT FOR TRANSOM

Material: AISI 316 steel
Recommended glass hole size Ø22 countersink 3 mm
Finish: /9



Art.	For glass	Qty
HS1010SSS	From 8 to 21.5 mm	1 Pc

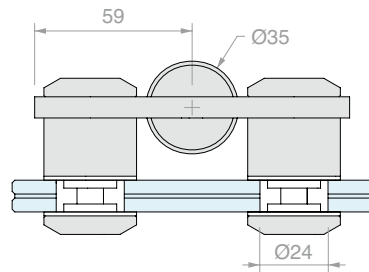
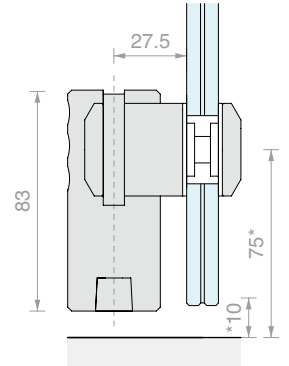
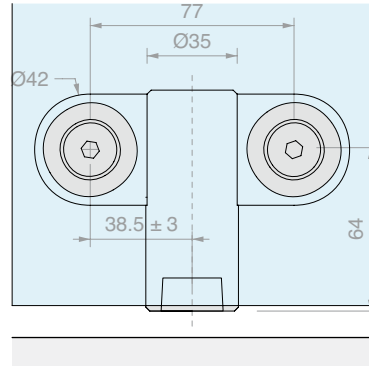


LOWER HINGE WITH STUDS HS1010

Material: AISI 316 steel

Recommended glass hole size Ø24 mm

Finish: /9



Art.	For glass	Fixing	Qty
HS1010PB	From 8 to 21.5 mm	German	1 Pc

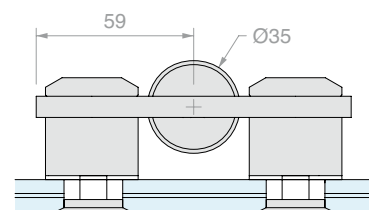
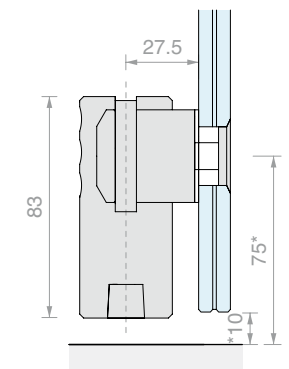
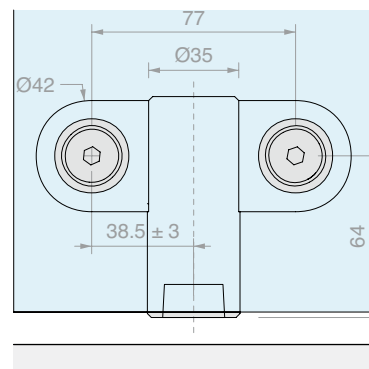


LOWER HINGE COUNTERSUNK HS1010

Material: AISI 316 steel

Recommended glass hole size Ø22 countersink 3 mm

Finish: /9



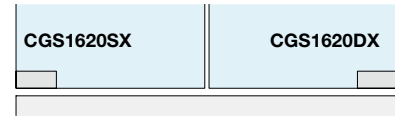
Art.	For glass	Fixing	Qty
HS1010PS	From 8 to 21.5 mm	German	1 Pc



LOWER HINGE CGS

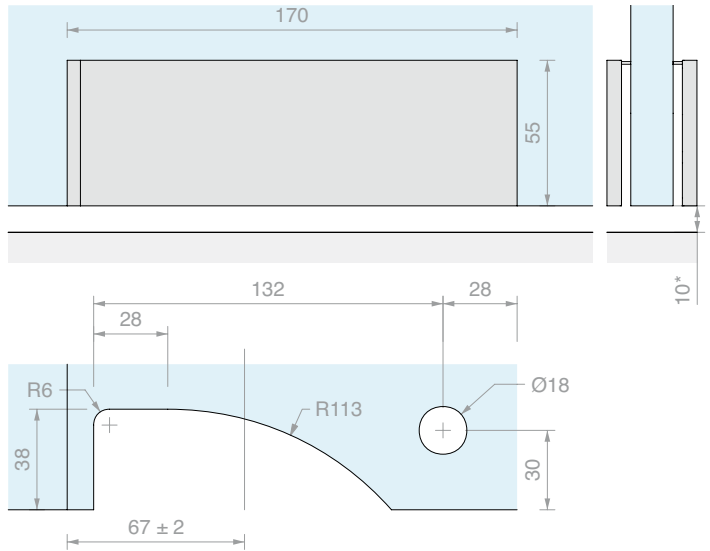
Material: AISI 316 steel

Finish: /8 /15



EXTERNAL VIEW

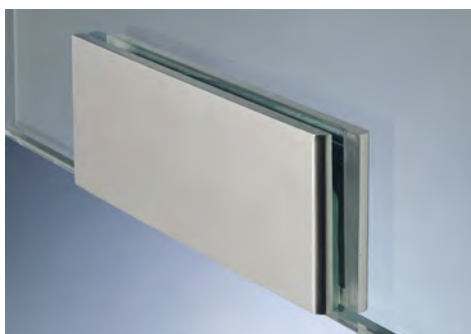
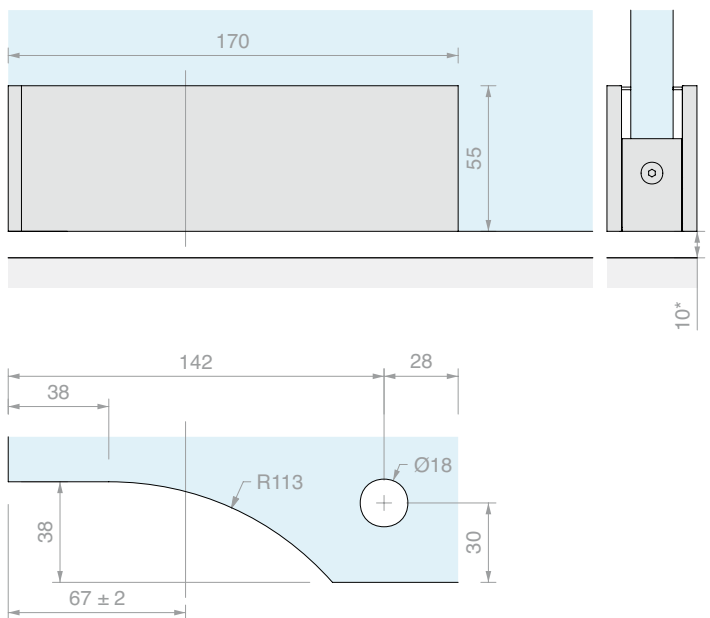
FIXING WITHIN THE GLASS



CGS1620SX



FIXING FLUSH WITH THE GLASS



Art.	For glass	Fixing	Qty
CGS1620SX	From 15 to 21.5 mm	German	1 Pc
CGS1620DX	From 15 to 21.5 mm	German	1 Pc



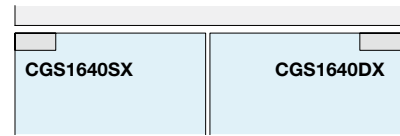
UPPER HINGE CGS

Material: AISI 316 steel

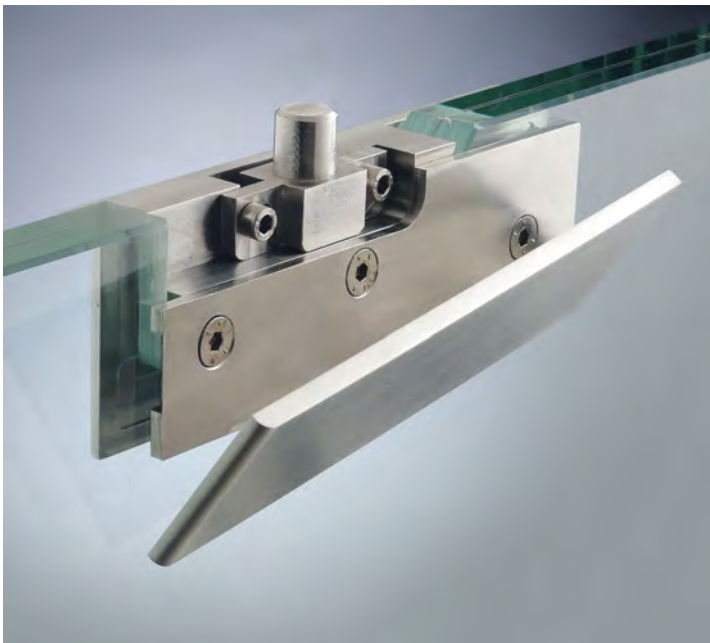
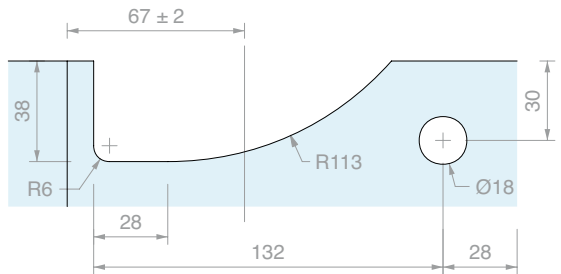
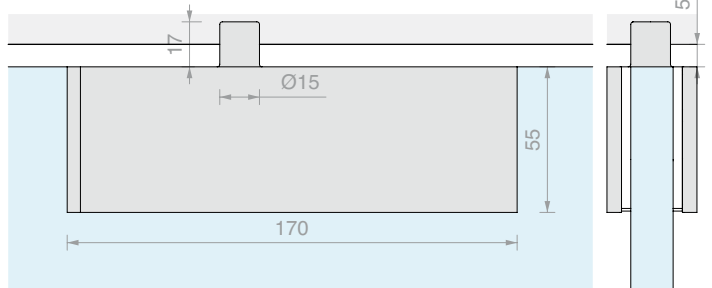
For ceiling mounting, requires socket Art. HS1010SPL

Finish: /8 /15

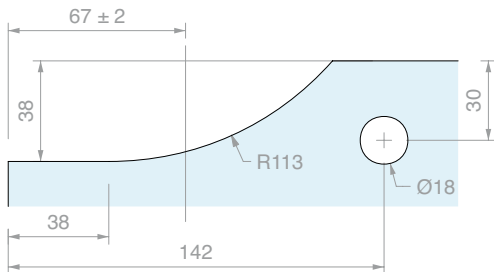
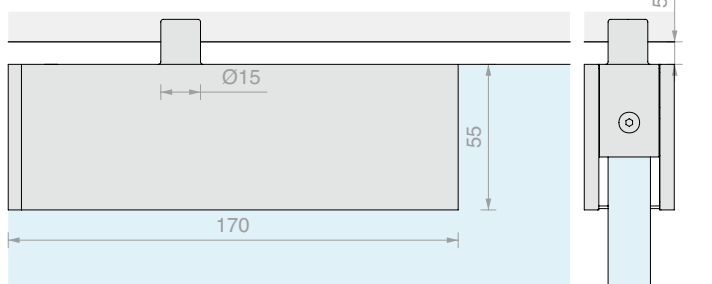
EXTERNAL VIEW



FIXING WITHIN THE GLASS



FIXING FLUSH WITH THE GLASS

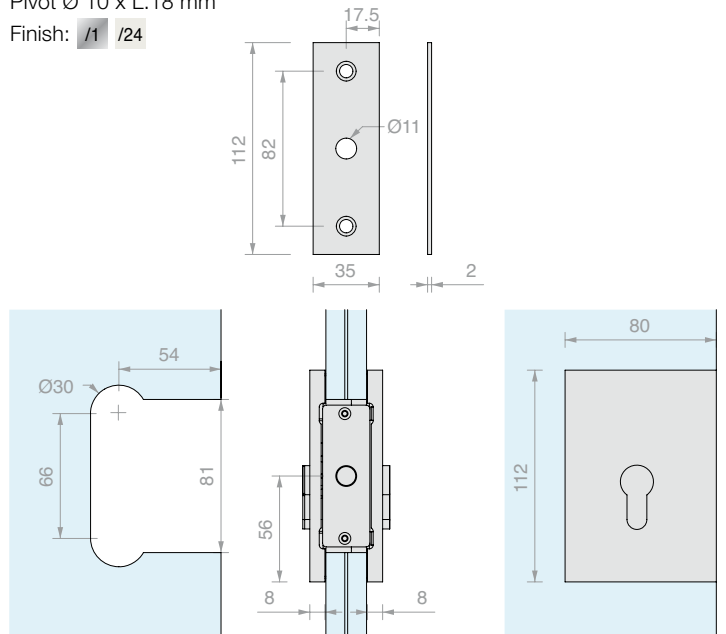


Art.	For glass	Qty
CGS1640SX	From 15 to 21.5 mm	1 Pc
CGS1640DX	From 15 to 21.5 mm	1 Pc



SGS LOCK

Material: Brass
 With European cylinder, 3 keys
 Pivot Ø 10 x L.18 mm
 Finish: /1 /24

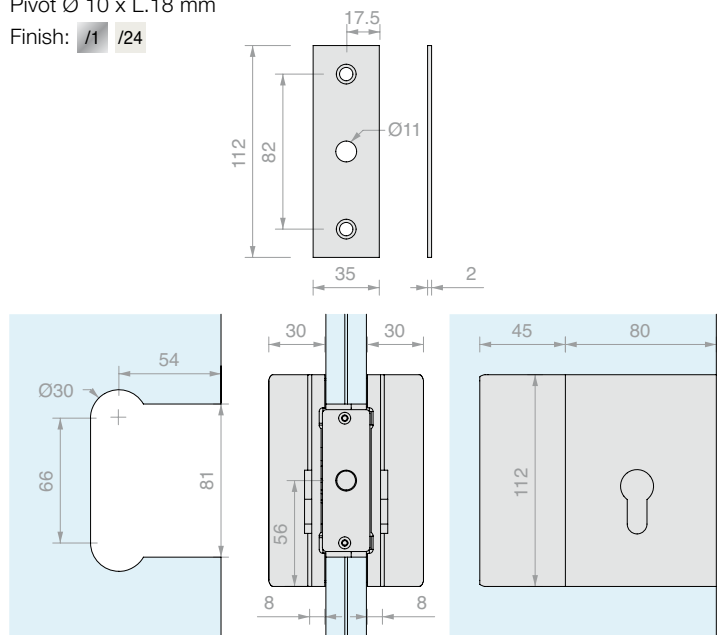


Art.	For glass	Key	Qty
SGS2115U	15 mm	Single	1 Pc
SGS2115D	15 mm	Different	1 Pc
SGS2117U	17 mm	Single	1 Pc
SGS2117D	17 mm	Different	1 Pc
SGS2121U	21 mm	Single	1 Pc
SGS2121D	21 mm	Different	1 Pc



LOCK WITH SGS HANDLE

Material: Brass
 With European cylinder, 3 keys
 Pivot Ø 10 x L.18 mm
 Finish: /1 /24



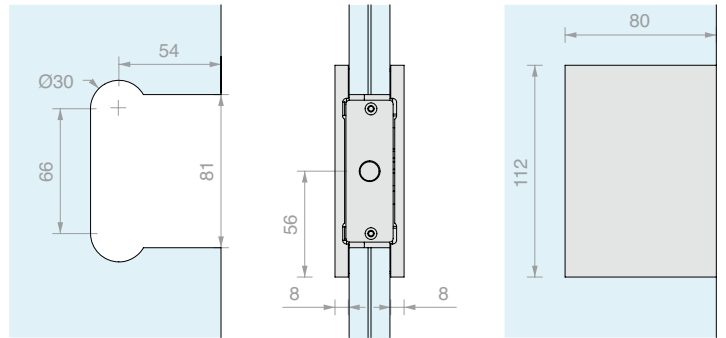
Art.	For glass	Key	Qty
SGS2315MU	15 mm	Single	1 Pc
SGS2315MD	15 mm	Different	1 Pc
SGS2317MU	17 mm	Single	1 Pc
SGS2317MD	17 mm	Different	1 Pc
SGS2321MU	21 mm	Single	1 Pc
SGS2321MD	21 mm	Different	1 Pc



SGS GLASS STRIKE PLATE

Material: Brass

Finish: /1 /24



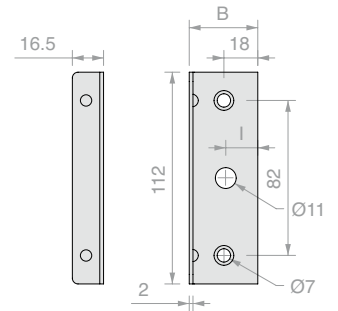
Art.	For glass	Qty
SGS2715M	15 mm	1 Pc
SGS2717M	17 mm	1 Pc
SGS2721M	21 mm	1 Pc



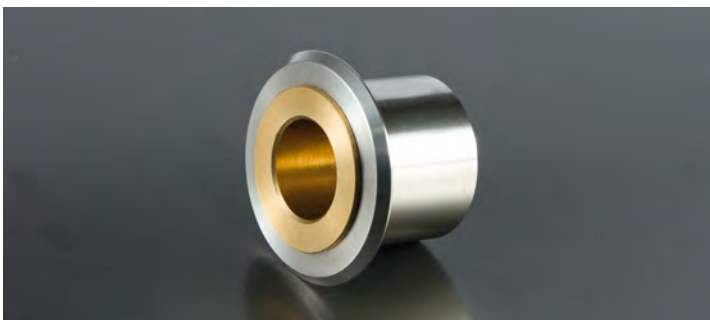
WALL PLATE WITH STOP

Material: Brass

Finish: /1 /24



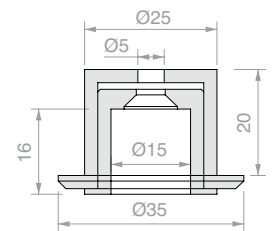
Art.	For glass	I	B	Qty
SGS15L	15 mm	16 mm	36.5 mm	1 Pc
SGS17L	17 mm	17 mm	39 mm	1 Pc
SGS21L	21 mm	19 mm	43 mm	1 Pc



UPPER SOCKET

Material: AISI 316 steel

Finish: /9



Art.	Qty
HS1010SPL	1 Pc

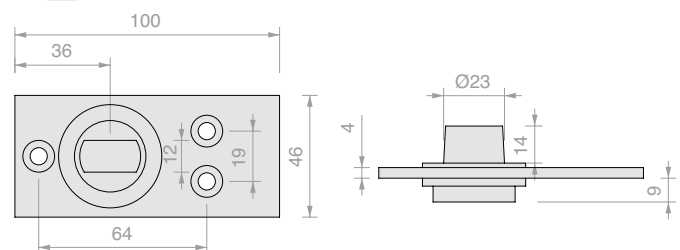


FREE FLOOR PIN WITH PLATE

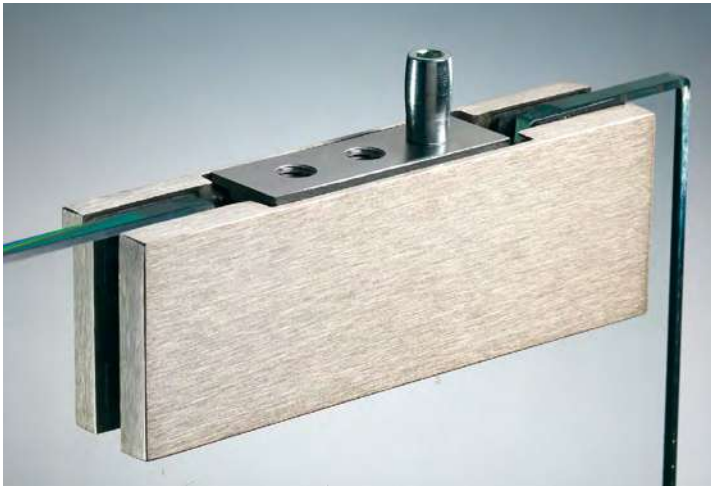
Material: AISI 304 steel

Comes with 3 screws for anchoring to the floor and a trim plate for the black plastic ferrule.

Finish: /8



Art.	Fixing	Qty
PIVOTS014	German	1 Pc

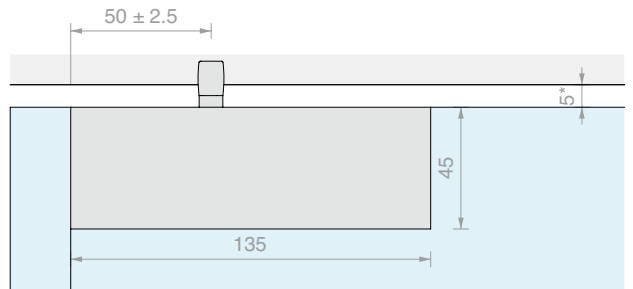
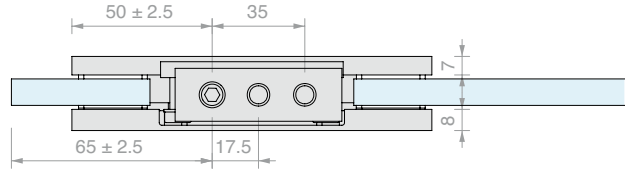
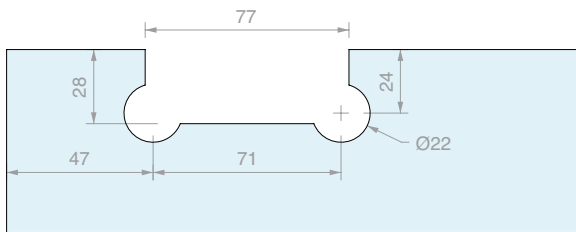


**UPPER HINGE
WITH ADJUSTABLE SLIDER 3301**

Material: Brass

For ceiling mounting, requires socket Art. HD3304

Finish: /1 /24



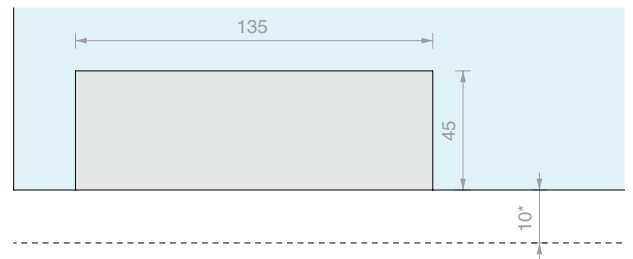
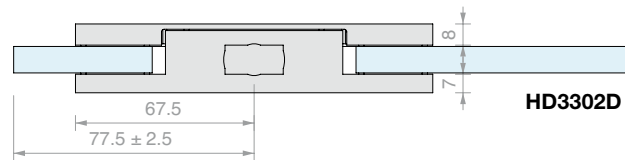
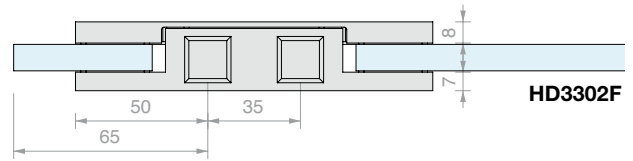
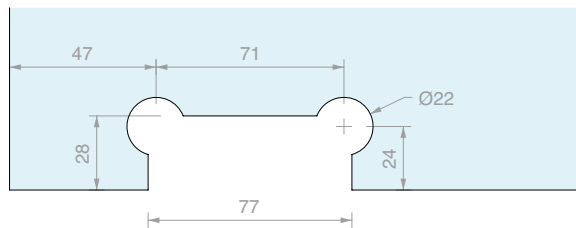
Art.	For glass	Qty
HD3301	From 8 to 10 mm	1 Pc



LOWER HINGE HD3301

Material: Brass

Finish: /1 /24



Art.	For glass	Fixing	Qty
HD3302F	From 8 to 10 mm	French	1 Pc
HD3302D	From 8 to 10 mm	German	1 Pc

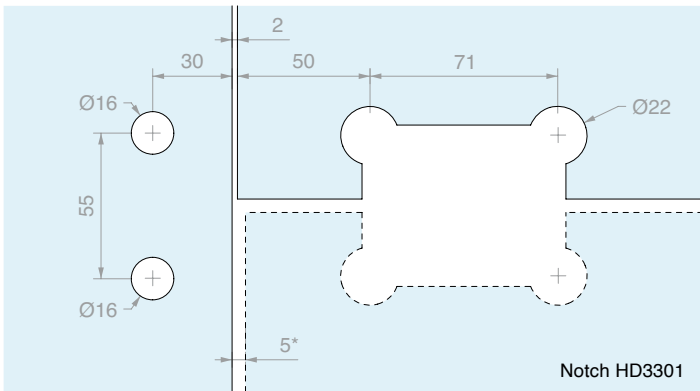
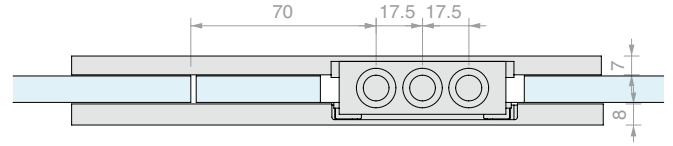


**FIXING FOR TRANSOM
WITH SIDE GLASS FIXING 3307**

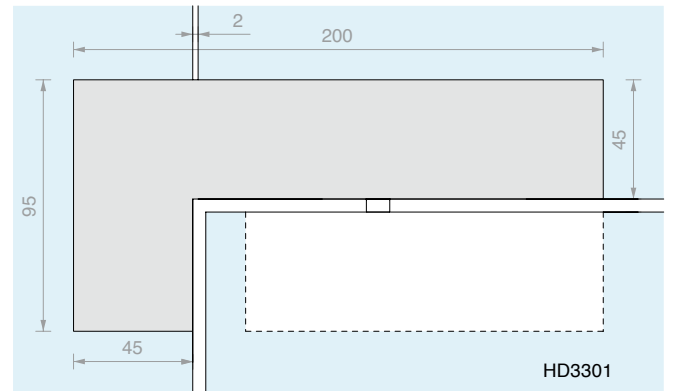
Material: Brass
Finish: /1 /24



Left fitting



Notch HD3301



HD3301

Art.	For glass	Fitting	Qty
HD3307SX	From 8 to 10 mm	Left	1 Pc
HD3307DX	From 8 to 10 mm	Right	1 Pc

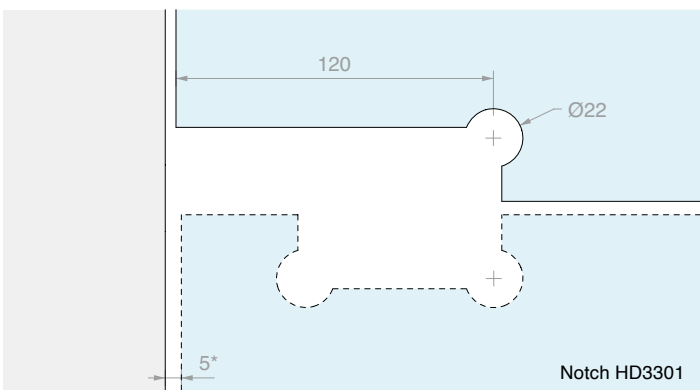
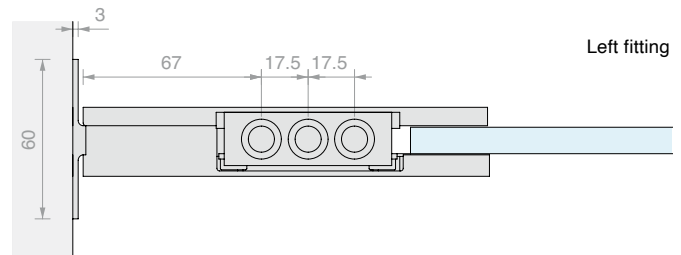


**FIXING FOR TRANSOM
WITH SIDE WALL FIXING 3308**

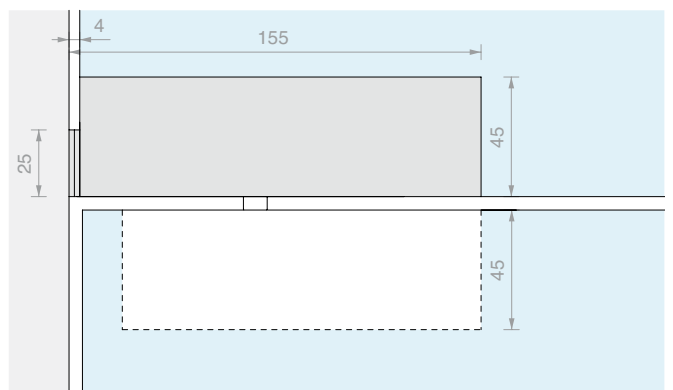
Material: Brass
Finish: /1 /24



Left fitting



Notch HD3301

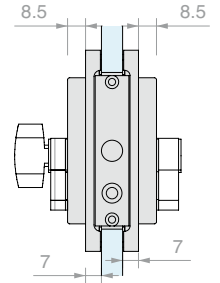
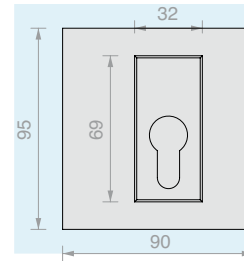
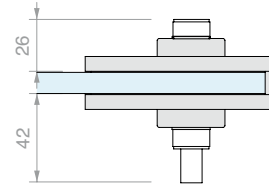
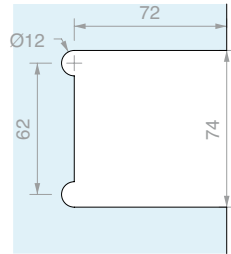


Art.	For glass	Fitting	Qty
HD3308SX	From 8 to 10 mm	Left	1 Pc
HD3308DX	From 8 to 10 mm	Right	1 Pc



LOCK 3305

Material: Brass
Pivot Ø10 x L 17 mm.
With European cylinder, 3 keys
Finish: /1 /24

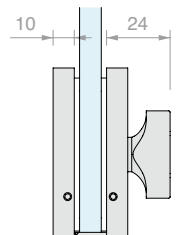
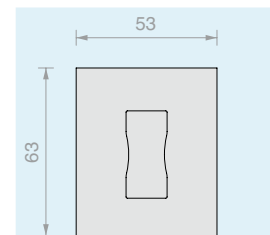
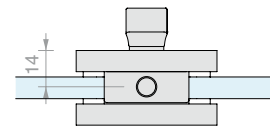
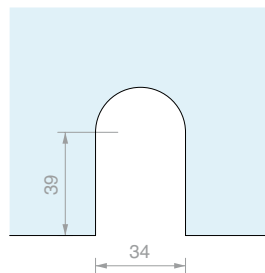


Art.	For glass	Lock	Key	Qty
HD3305U	From 8 to 10 mm	Lock + lock	Single	1 Pc
HD3305D	From 8 to 10 mm	Lock + lock	Different	1 Pc
HD3305P	From 8 to 10 mm	Door knob + lock	Single	1 Pc



HD SQUARE BOLT

Material: Aluminium body, brass cover
Pivot Ø7.5 x L 13 mm.
Finish: /1 /24

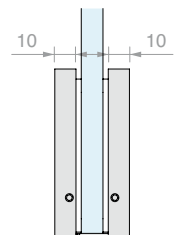
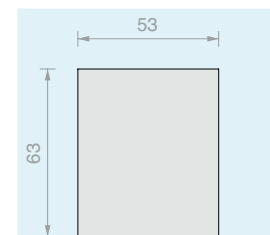
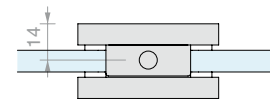
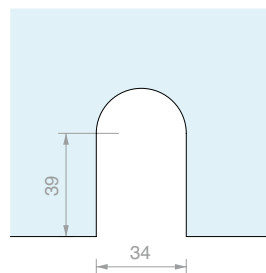


Art.	For glass	Qty
DQC63	From 10 to 12 mm	1 Pc



GLASS STRIKE PLATE FOR HD SQUARE BOLT

Material: Brass
Finish: /1 /24

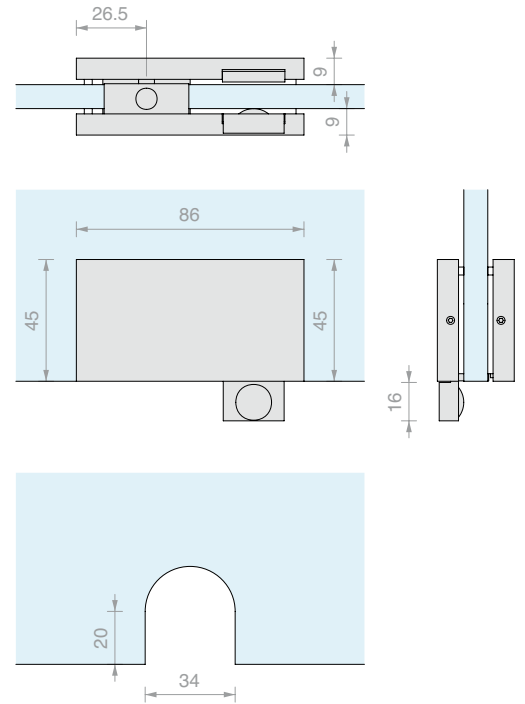


Art.	For glass	Qty
DQC65	From 10 to 12 mm	1 Pc



SINGLE STRIKE PLATE FOR TRANSOM FIXING FOR BOLT

Material: Brass
 Compatible with Art. DQC63
 Finish: /1 /24

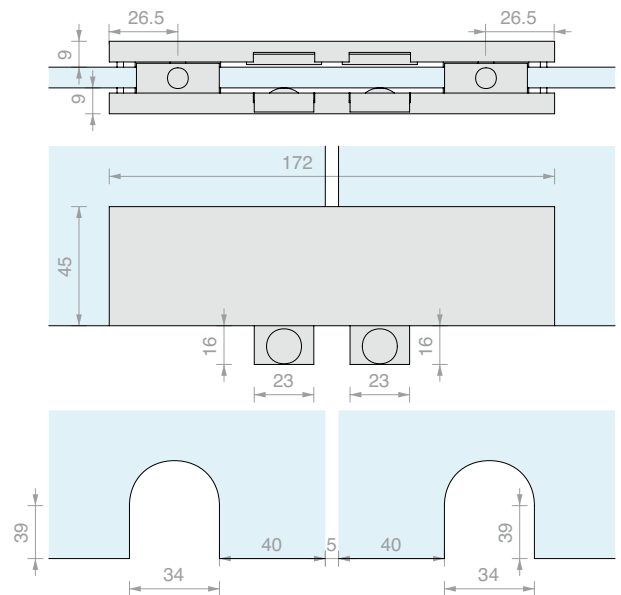


Art.	For glass	Qty
HD3309	From 8 to 12 mm	1 Pc



DOUBLE STRIKE PLATE FOR TRANSOM FITTING FOR BOLT

Material: Brass
 Compatible with Art. DQC63
 Finish: /1 /24



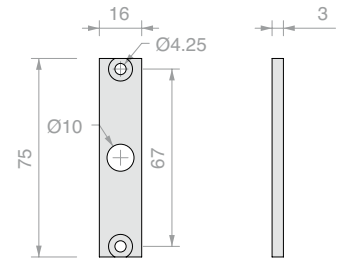
Art.	For glass	Qty
HD3310	From 8 to 12 mm	1 Pc



WALL STRIKE PLATE FOR LOCK HD3305

Material: Stainless steel

Finish: /9



Art.
HD3306

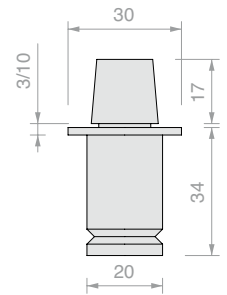
Q.ty
1 Pc



FLOOR PIN HD3303

Material: Brass

Finish: /1 /3



Art. Fixing
HD3303 French

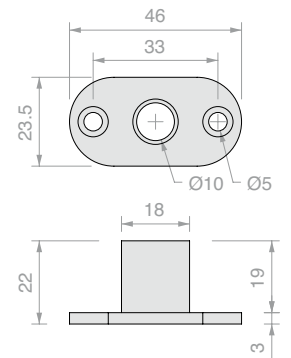
Qty
1 Pc



SEAT FOR CEILING PIVOT 3304

Material: Brass

Finish: /1 /3



Art.
HD3304

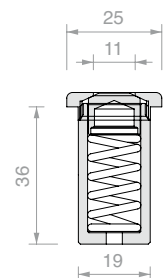
Q.ty
1 Pc



ANTI-DUST SOCKET FOR LOCK HD3305

Material: Brass

Finish: /1 /3



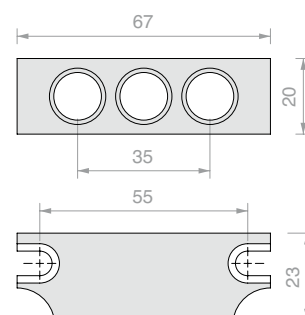
Art.
G7311

Q.ty
1 Pc



SLIDER FOR HD3308

Material: Brass
 Slider for moving the fixing of Art. HD3308
 from flush to inside the glass

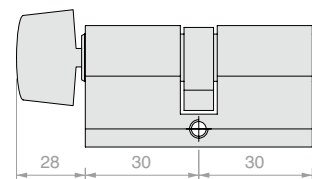


Art.	Qty
HD3308-SLIDER	1 Pc



CYLINDER WITH ROTATING DOOR KNOB

Material: Brass
 European cylinder with 3 keys
 Finish: /1 /3 /45

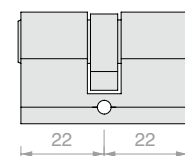


Art.	Key	Qty
S1217U	Single	1 Pc



CYLINDER WITH EUROPEAN PROFILE KEY

Material: Brass
 European cylinder with 3 keys
 Finish: /1 /3



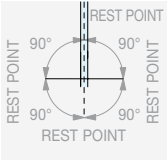
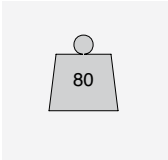
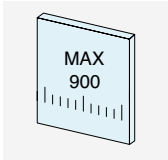
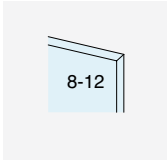
Art.	Key	Qty
LOGS10U	Single	1 Pc
LOGS10D	Different	1 Pc



**SNAP-ON PIVOT HINGE 80SQ
WITH HIDDEN SCREWS**

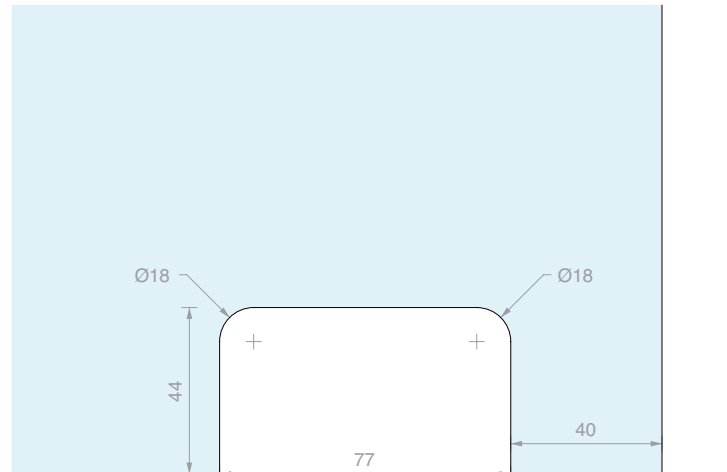
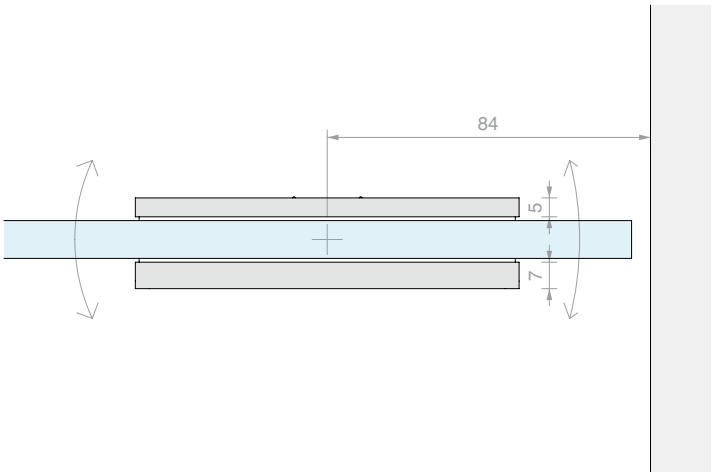
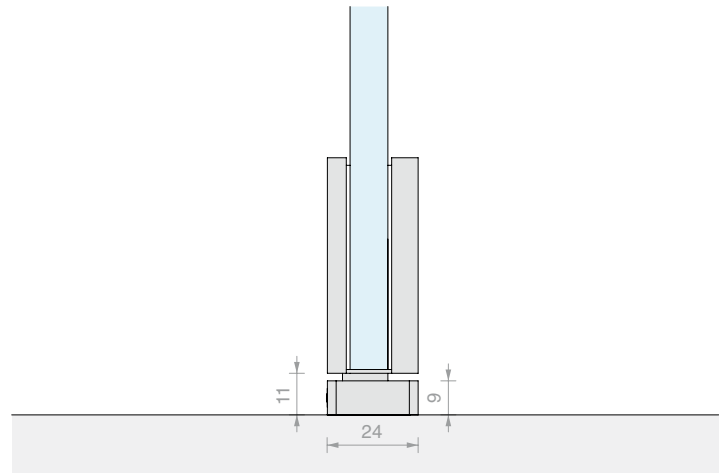
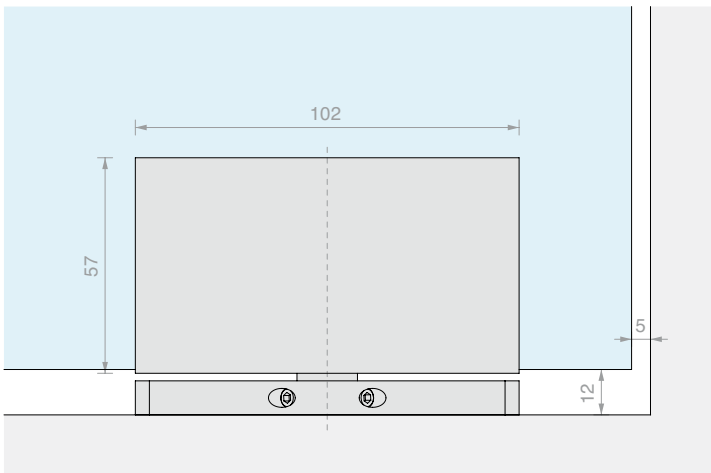
Material: Brass

Finish: /1 /2 /3



360° ROTATION

NO VISIBLE SCREWS



Art. **CERPT80SQ**

For glass
From 8 to 12 mm

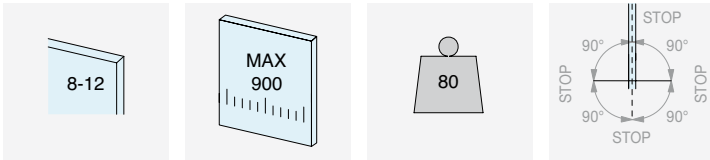
Qty
1 Pc



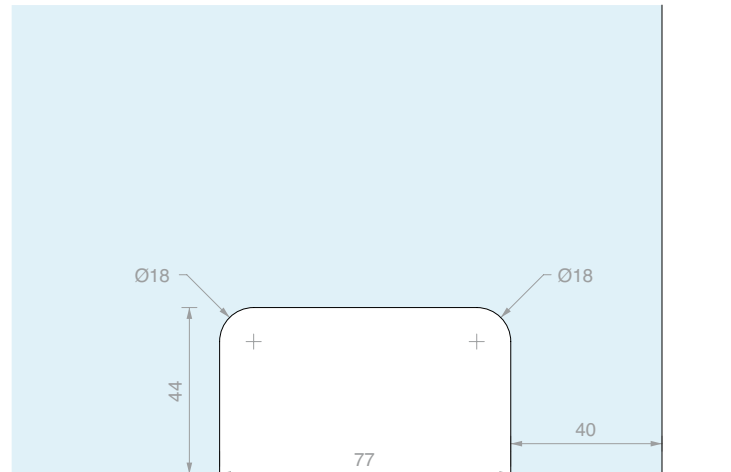
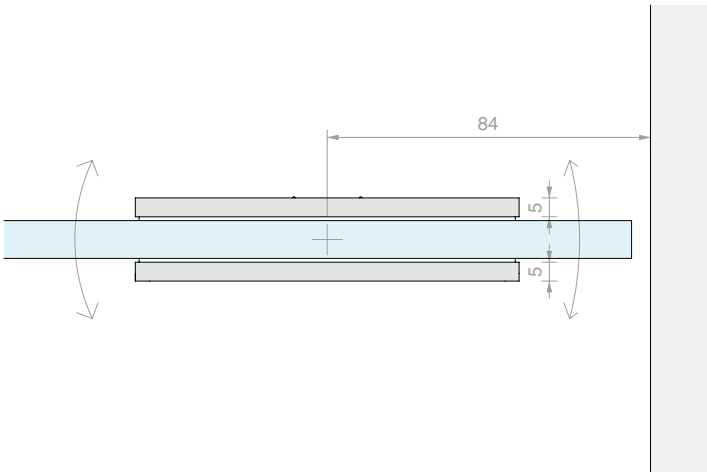
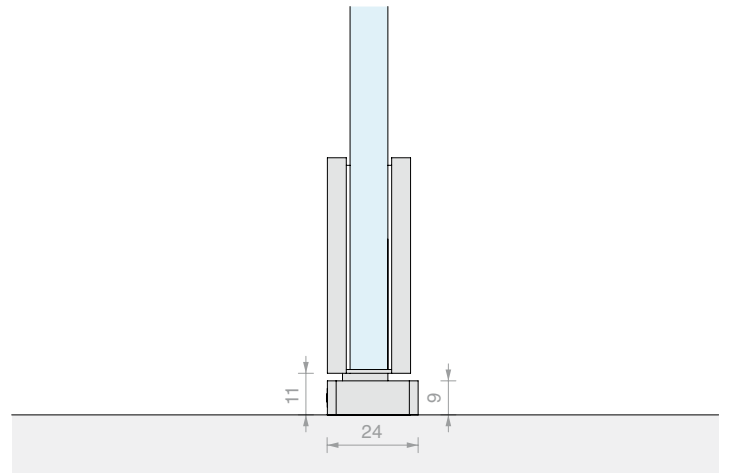
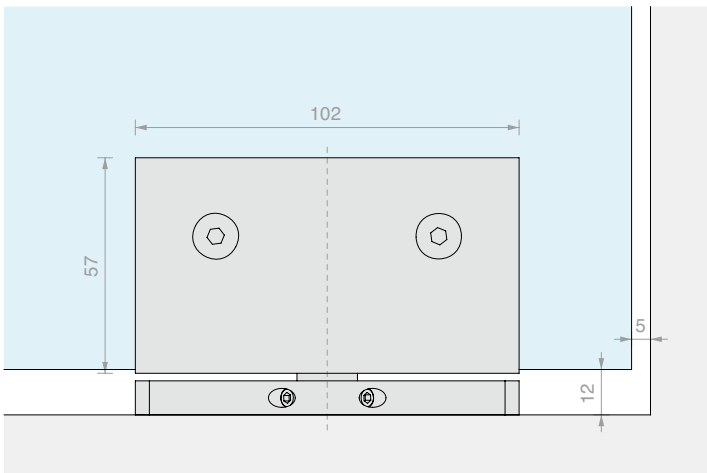
SNAP PIVOT HINGE 80

Material: Brass

Finish: /1 /2 /3



360° ROTATION



Art. **CERPT80**

For glass
From 8 to 12 mm

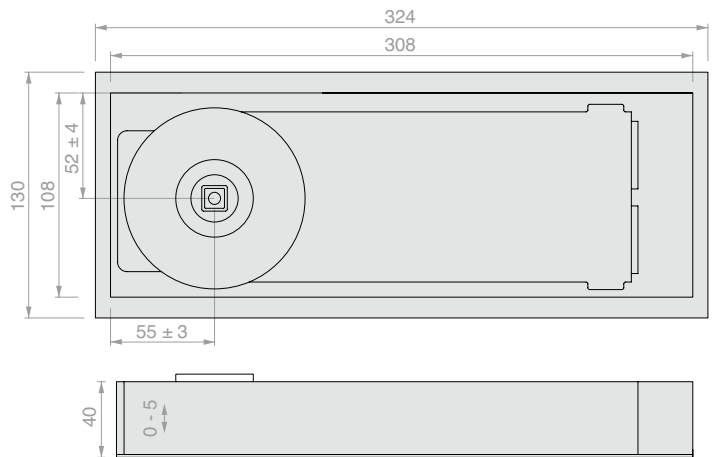
Qty
1 Pc

**DOOR CLOSER LM60**

Plate material: AISI 316 stainless steel

The hydraulic floor-mounted door closers in the LM60 series have undergone laboratory tests in accordance with EN1154. The tests include checks on closing force and capacity, durability over 500,000 opening and closing cycles, corrosion resistance and operating temperature.

NOTE: it is recommended not to fully unscrew or tighten the speed regulation valves

**Properties:**

- Rotation $\pm 130^\circ$
- Dual regulation of closing speed $130^\circ - 15^\circ$ and $15^\circ - 0^\circ$.
- Three-dimensional adjustment within the case
- 3 closing forces: EN2, EN3 and EN4
- 3 types of use according to the hold open position: $\pm 90^\circ$, $\pm 105^\circ$ or no hold open.
- Available with 3 types of standard pivot: German, Italian or French.

Finish: /8

Art.	Force	Capacity L	Capacity P	Hold open	Pivot	Qty
LM609020DE	EN2	850 mm	60 kg	$\pm 90^\circ$	German	1 Pc
LM609020IT	EN2	850 mm	60 kg	$\pm 90^\circ$	Italian	1 Pc
LM609020FR	EN2	850 mm	60 kg	$\pm 90^\circ$	French	1 Pc
LM609025DE	EN3	950 mm	80 kg	$\pm 90^\circ$	German	1 Pc
LM609025IT	EN3	950 mm	80 kg	$\pm 90^\circ$	Italian	1 Pc
LM609025FR	EN3	950 mm	80 kg	$\pm 90^\circ$	French	1 Pc
LM6010525DE	EN3	950 mm	80 kg	$\pm 105^\circ$	German	1 Pc
LM6010525IT	EN3	950 mm	80 kg	$\pm 105^\circ$	Italian	1 Pc
LM6010525FR	EN3	950 mm	80 kg	$\pm 105^\circ$	French	1 Pc
LM600025DE	EN3	950 mm	80 kg	Hold open	German	1 Pc
LM600025IT	EN3	950 mm	80 kg	Hold open	Italian	1 Pc
LM600025FR	EN3	950 mm	80 kg	Hold open	French	1 Pc
LM609033DE	EN4	1100 mm	100 kg	$\pm 90^\circ$	German	1 Pc
LM609033IT	EN4	1100 mm	100 kg	$\pm 90^\circ$	Italian	1 Pc
LM609033FR	EN4	1100 mm	100 kg	$\pm 90^\circ$	French	1 Pc
LM6010533DE	EN4	1100 mm	100 kg	$\pm 105^\circ$	German	1 Pc
LM6010533IT	EN4	1100 mm	100 kg	$\pm 105^\circ$	Italian	1 Pc
LM6010533FR	EN4	1100 mm	100 kg	$\pm 105^\circ$	French	1 Pc

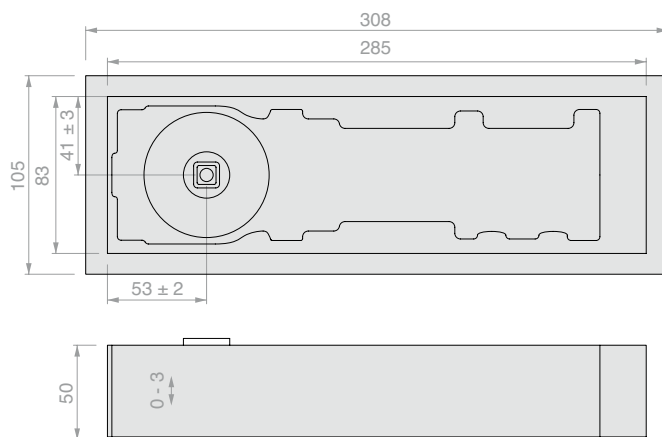


DOOR CLOSER LM66

Plate material: AISI 316 stainless steel

The hydraulic floor-mounted door closers in the LM60 series have undergone laboratory tests in accordance with EN1154. The tests include checks on closing force and capacity, durability over 500,000 opening and closing cycles, corrosion resistance and operating temperature.

NOTE: it is recommended not to fully unscrew or tighten the speed regulation valves



Properties:

- Rotation ±180°
- Dual regulation of closing speed 180° - 15° and 15° - 0°.
- Three-dimensional adjustment within the case
- 3 closing forces: EN2, EN3 and EN4
- 2 types of use according to the hold open position: ± 90° or no hold open.
- Available with 3 types of standard pivot: German, Italian or French.

Finish: /8

Art.	Force	Capacity L	Capacity P	Hold open	Pivot	Qty
LM669020DE	EN2	850 mm	100 kg	± 90°	German	1 Pc
LM669020IT	EN2	850 mm	100 kg	± 90°	Italian	1 Pc
LM669020FR	EN2	850 mm	100 kg	± 90°	French	1 Pc
LM669030DE	EN3	950 mm	150 kg	± 90°	German	1 Pc
LM669030IT	EN3	950 mm	150 kg	± 90°	Italian	1 Pc
LM669030FR	EN3	950 mm	150 kg	± 90°	French	1 Pc
LM669040DE	EN4	1100 mm	200 kg	± 90°	German	1 Pc
LM669040IT	EN4	1100 mm	200 kg	± 90°	Italian	1 Pc
LM669040FR	EN4	1100 mm	200 kg	± 90°	French	1 Pc
LM660040DE	EN4	1100 mm	200 kg	Hold open	German	1 Pc
LM660040IT	EN4	1100 mm	200 kg	Hold open	Italian	1 Pc
LM660040FR	EN4	1100 mm	200 kg	Hold open	French	1 Pc



INTERCHANGEABLE PINS FOR DOOR CLOSER LM

Pivot with screw

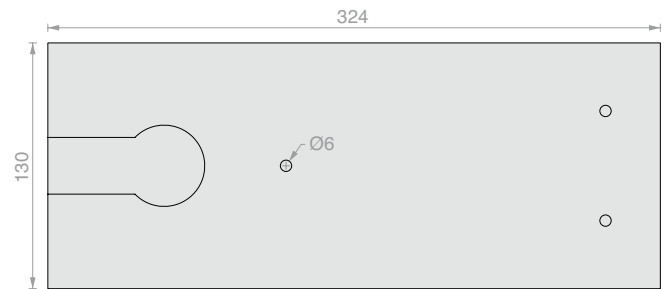
Art.	Fixing	Qty
LMPERNOD	German	1 Pc
LMPERNOI	Italian	1 Pc
LMPERNOF	French	1 Pc



PLATE FOR DOOR CLOSER LM60

Material: AISI 316 stainless steel

Finish: /8



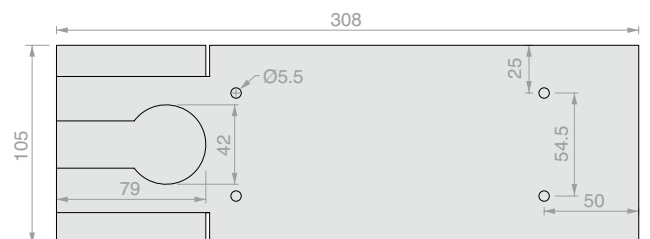
Art.	Dimensions	Qty
LMPIA01	324 mm x 130 mm	1 Pc



PLATE FOR DOOR CLOSER LM66

Material: AISI 316 stainless steel

Finish: /8



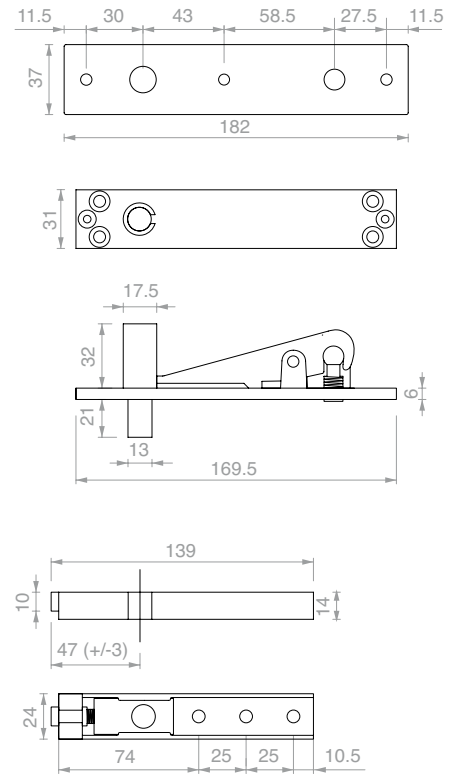
Art.	Dimensions	Qty
LMPIA02	308 mm x 105 mm	1 Pc



**UPPER ADJUSTABLE POCKET HINGE
FOR WOOD/METAL DOOR PANELS**

Material: AISI 304 stainless steel, galvanised steel

Finish: /8



Art.

Qty

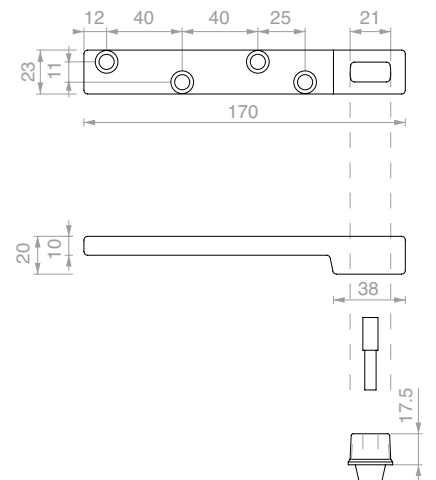
PS03

1 Pc



**LOWER HINGE WITH GERMAN PIN
FOR WOOD/METAL DOORS**

Material: Galvanised steel



Art.

Qty

PI07

1 Pc



TS 500 NV

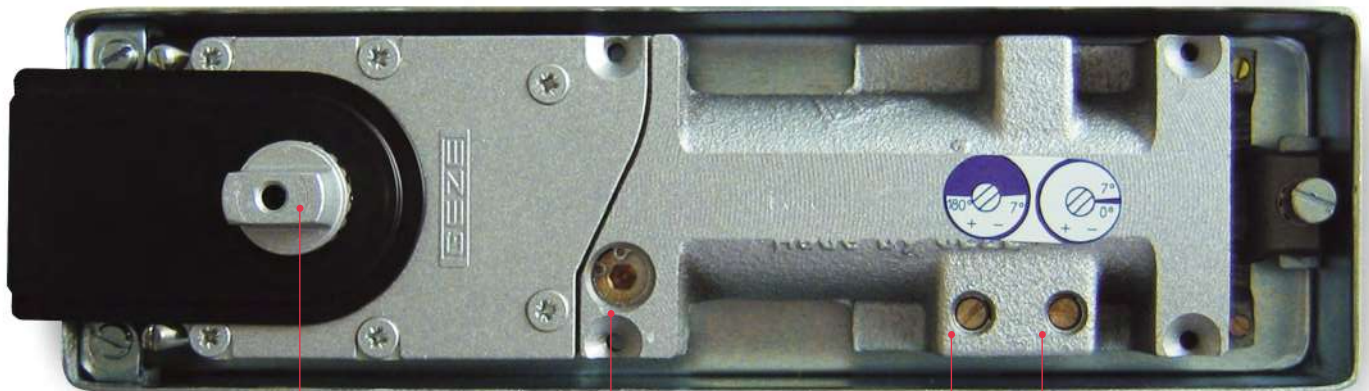
Floor-mounted door closer for hinged and swing doors

The exceptionally low height of just 42 mm is one of the benefits that the TS 500 NV door closer offers to users and designers for operating single and double door panels. These properties make it an ideal choice for both new buildings and for renovations. By virtue of being invisible, it is perfect for glass doors, including small and medium-sized ones. The maximum weight is 150 kg; includes a brushed stainless steel plate.

The TS500 NV model has been tested for 500,000 opening and closing cycles.

Properties:

- Height 42 mm
- Adjustable force between EN1 and EN4 according to EN1154
- Adjustable closing speed and final stroke
- Safety valve to prevent overloads
- Closing action from around 170°
- Adjustment tolerance: height 6 mm, width 10 mm, length 10 mm
- Galvanised cement case
- Thermostabilised valves avoid switching between summer and winter
- Suitable for doors with single and double opening action
- 2 types of use according to the hold open position: ± 90°, ± 110°
- **German pivot** (Italian pivot available on request).



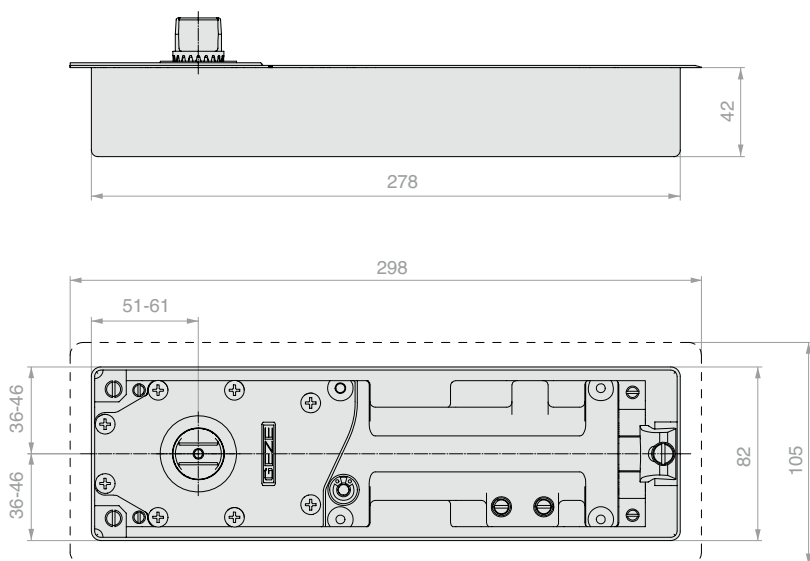
SPECIFY GERMAN OR ITALIAN PIVOT

ADJUSTMENT CLOSING FORCE

ADJUSTMENT CLOSING SPEED

ADJUSTMENT FINAL STROKE

Art.	Force	Capacity L	Capacity P	Hold open	Pivot	Qty
GZ-TS500NV90	Adjustable between EN1 and EN4	1100 mm	150 kg	± 90°	German	1 Pc
GZ-TS500NV110	Adjustable between EN1 and EN4	1100 mm	150 kg	± 110°	German	1 Pc



**Dimensions of galvanised case
for cementing into the ground:**

Length: 278 mm
Width: 82 mm
Height: 42 mm

**Adjustment of door closer
inside the case:**

Lengthways: 10 mm
Widthways: 10 mm
Height: 6 mm

Plate dimensions

Length: 298 mm
Width: 105 mm

ADAPTOR

Material: galvanised plate

Plate used as adaptor for GEZE door closer on other brands' cases embedded in the wall.

Perfect for replacement works.



Art.
GZ-TSADT

Q.ty
1 Pc



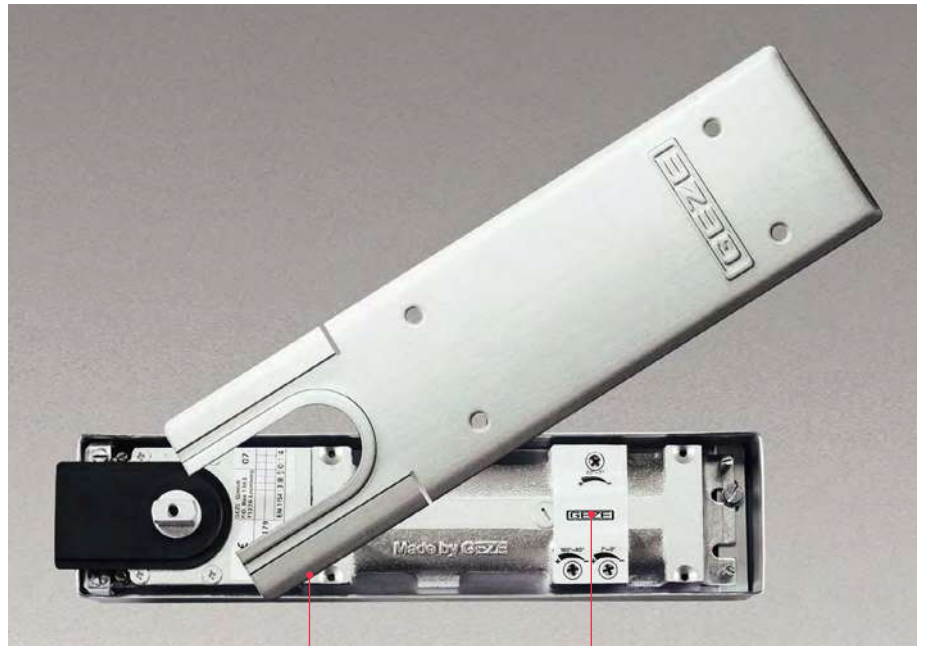
TS 550 NV

Floor-mounted door closer for hinged and swing doors

The TS 550 NV offers convenience and elegance for swing or hinged doors with door panel weights of up to 300 kg. Its versatility and robustness are particularly well suited to frequently used doors in entrances, such as in offices or lobbies and exhibition centres. With two valves, the opening speed and final stroke can be easily adjusted to ensure the door closes safely. The use of thermostabilised valves helps to avoid switching between summer and winter. **The TS 550 NV model has been tested for 1,000,000 opening and closing cycles.** The TS 550 NV is the door closer for the most demanding use cases. With a strong chrome-silicon steel spring, it does not lose any strength even after being used for ten years. Tempered pistons for high tensile strength and wear resistance featuring an innovative seal technology. Robust grey cast iron housing, high corrosion resistance. Safety valve which prevents intentional damage to the lock or the door by means of excessive pressure, comes with brushed stainless steel finishing plate.

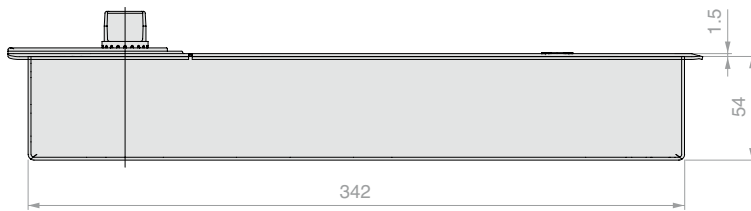
Properties:

- Force adjustable from EN3 to EN6 according to EN1154
 - Adjustable closing speed and final stroke
 - Variable hold open between $\pm 80^\circ$ and $\pm 165^\circ$, can be activated/deactivated
 - Adjustable closing delay time
 - Safety valve to prevent overloads
 - Closing action from around 170°
 - Adjustment tolerance: height 6 mm, width 10 mm, length 9 mm
 - Galvanised sheet metal cement case
 - Thermostabilised valve avoids switching between summer and winter
- **German pivot** (Italian pivot available on request).



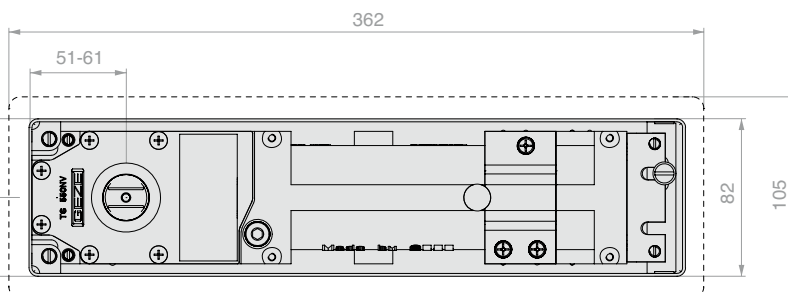
ADJUSTMENT CLOSING FORCE

3 VALVES FOR SETTING:
 • CLOSING SPEED
 • FINAL STROKE
 • HOLD OPEN/CLOSING DELAY TIME



Dimensions of case for cementing into the ground:

Length: 342 mm
 Width: 82 mm
 Height: 54 mm



Adjustment of door closer inside the case:

Lengthways: 9 mm
 Widthways: 10 mm
 Height: 6 mm

Plate dimensions

Length: 362 mm
 Width: 105 mm

Art.	Force	Capacity L	Capacity P	Hold open - can be activated/deactivated	Pivot	Qty
GZ-TS550NV	Adjustable between EN3 and EN6	1400 mm	300 kg	Adjustable between 80° and 165°	German	1 Pc

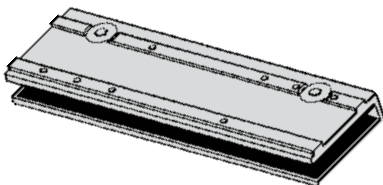
TS 3000 V

Overhead door closer

Combining security requirements with a need for devices that only require a minimal force from users to operate them and a corresponding lower closing force. These requirements are fulfilled by the TS 3000 V overhead door closer. The doors can be opened and closed with minimal force. Standard colour: galvanised aluminium. On request, any colour in the RAL chart is possible

Properties:

- Adjustable force between EN1 and EN4 according to EN1154
- Reduced opening force
- Adjustable closing force
- Adjustable closing speed
- Thermostabilised valves avoid switching between summer and winter



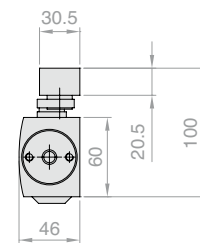
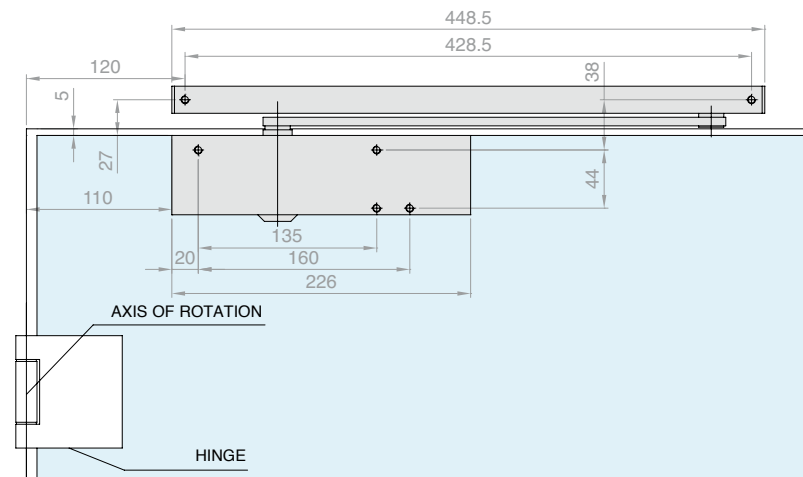
Clamp for glass doors

Clamp for attaching the door closer to the glass does not require any glass machining.

- Dimensions 226 x 67 x 20 mm
- For glass thickness from 8 to 10 mm



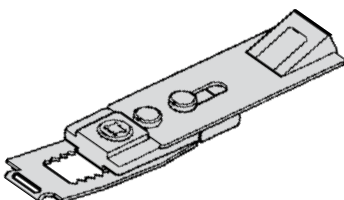
ADJUSTMENT OF FINAL STROKE ADJUSTMENT OF CLOSING SPEED



Art.	Force	Capacity L	Qty
GZ-TS3000V	Adjustable between EN1 and EN4	1100 mm	1 Pc

OPTIONAL - Mechanical hold open

Fitting the hold open unit in the corresponding guideway allows the hold open to be adjusted continuously between 80° and 130°. The hold force of the hold open can also be adjusted. This also allows the hold open to be disabled.



Art.	Qty
GZ-TS071924	1 Pc

**SEVAX JANUS+****Floor-mounted door closer for hinged and swing doors**

Door closer with the zamak body, a stainless steel material suitable for applications in environments with high humidity levels (e.g. bathrooms, outdoor areas). Products wholly made in France by SEVAX - SAINT-GOBAIN. The small size of the body (255 x 68 x H48) means it can be installed in the main door closer cases available on the market. Useful for operating single or double door panels.

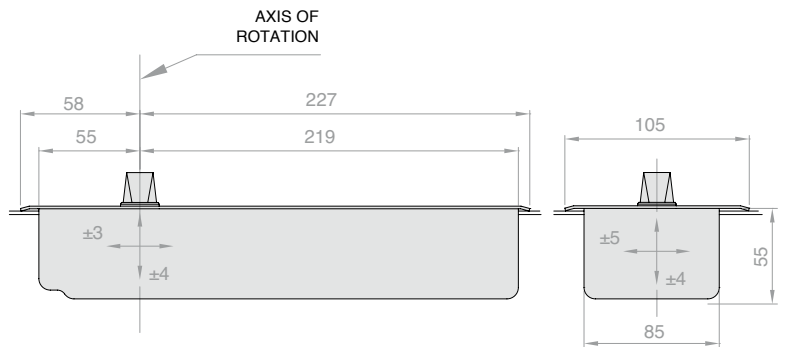
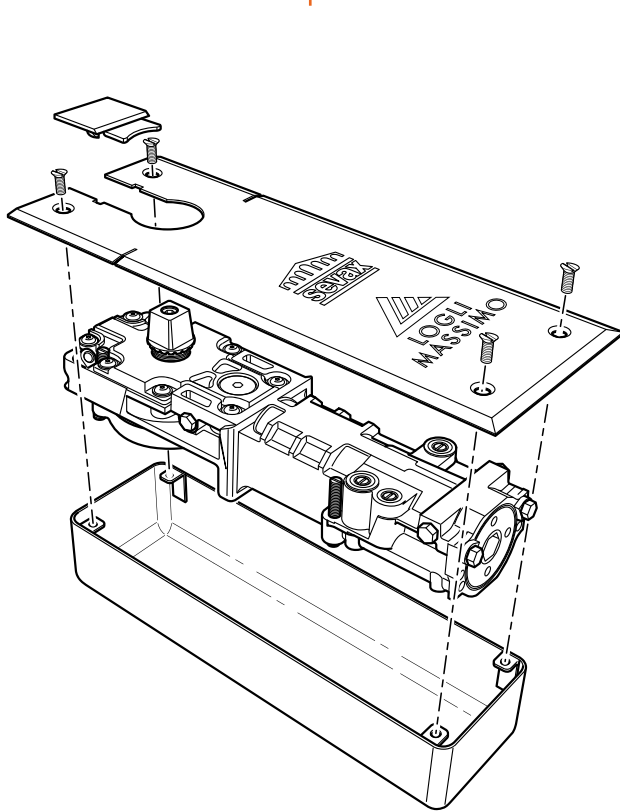
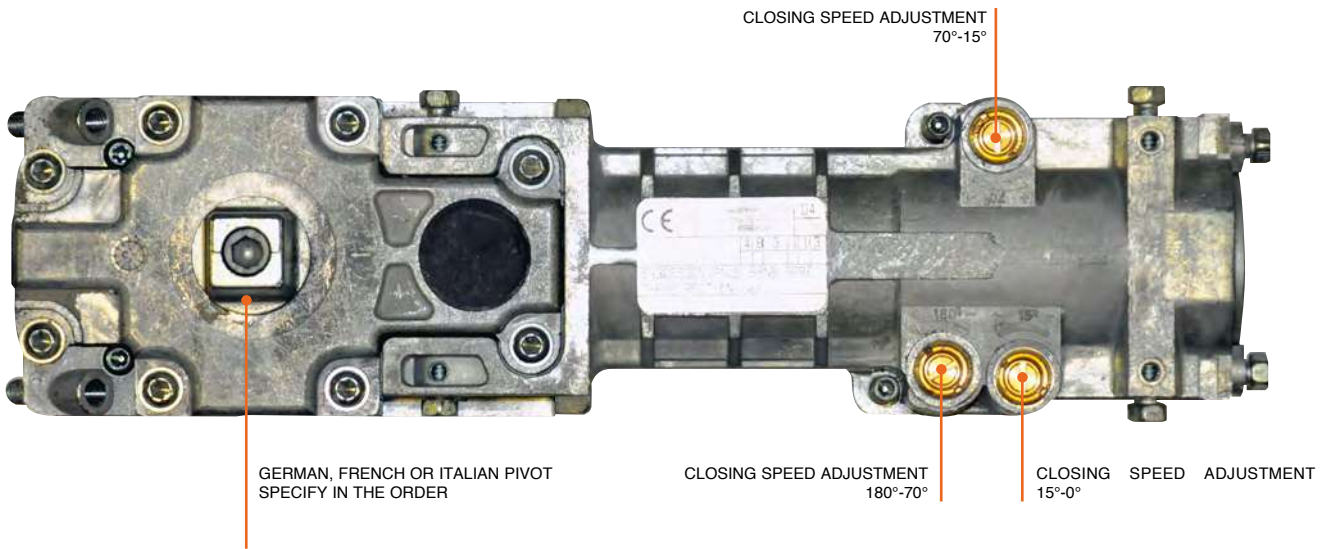
The maximum weight is 150 kg for doors up to 1250 mm wide. Comes with stainless steel plate.

The JANUS+ model has been tested for **500,000** opening and closing cycles, in accordance with European standard EN1154

**Properties:**

- Height 55 mm
- Closing force between EN3 and EN5 (according to EN1154), closing force EN3 PMR allows for use in areas available to people of reduced mobility, the reduced torque makes it easier to open the door
- Opening/closing movement -180°/+180°
- 3 speed settings: 180°-70°, 70°-15°, 15°-0°
- Adjustment of positioning for alignment of the axis in 3 planes: $x = \pm 3$ mm, $y = \pm 5$ mm, $z = \pm 4$ mm
- Adjustment of zero point $\pm 3^\circ$
- Galvanised cement case
- 2 types of use according to the hold open position: $\pm 90^\circ$, $\pm 105^\circ$
- German, **French**, or Italian pivot

Finish: **/8** **/15**



Dimensions of galvanised case for cementing into the ground:

- Length: 273 mm
- Width: 85 mm
- Height: 55 mm

Adjustment of door closer inside the case:

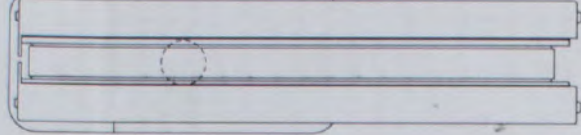
- Lengthways: ± 3 mm
- Widthways: ± 5 mm
- Height: ± 4 mm

Plate dimensions:

- Length: 285 mm
- Width: 105 mm

	Height	Length	Width
Device	48 mm	255 mm	68 mm
Case	55 mm	273 mm	85 mm
Adjustment space	8 mm	6 mm	10 mm

Art.	Force	Capacity L	Capacity P	Hold open	Pivot	Qty
SX-JS903PMRFR	EN3PMR	950 mm	150 kg	± 90°	French	1 Pc
SX-JS903PMRDE	EN3PMR	950 mm	150 kg	± 90°	German	1 Pc
SX-JS903PMRIT	EN3PMR	950 mm	150 kg	± 90°	Italian	1 Pc
SX-JS903FR	EN3	950 mm	150 kg	± 90°	French	1 Pc
SX-JS903DE	EN3	950 mm	150 kg	± 90°	German	1 Pc
SX-JS903IT	EN3	950 mm	150 kg	± 90°	Italian	1 Pc
SX-JS904FR	EN4	1100 mm	150 kg	± 90°	French	1 Pc
SX-JS904DE	EN4	1100 mm	150 kg	± 90°	German	1 Pc
SX-JS904IT	EN4	1100 mm	150 kg	± 90°	Italian	1 Pc
SX-JS905FR	EN5	1250 mm	150 kg	± 90°	French	1 Pc
SX-JS905DE	EN5	1250 mm	150 kg	± 90°	German	1 Pc
SX-JS905IT	EN5	1250 mm	150 kg	± 90°	Italian	1 Pc
SX-JS1053FR	EN3	950 mm	150 kg	± 105°	French	1 Pc
SX-JS1053DE	EN3	950 mm	150 kg	± 105°	German	1 Pc
SX-JS1053IT	EN3	950 mm	150 kg	± 105°	Italian	1 Pc
SX-JS1054FR	EN4	1100 mm	150 kg	± 105°	French	1 Pc
SX-JS1054DE	EN4	1100 mm	150 kg	± 105°	German	1 Pc
SX-JS1054IT	EN4	1100 mm	150 kg	± 105°	Italian	1 Pc



sevax
SAINT-GOBAIN

www.log



SEVAX.
garantie porte uniquement sur le remplacement
dans le cadre d'une utilisation normale.
SEVAX ne saurait être engagée en
autres que celles proposées par les différents
du produit non-conforme à sa destination,
lorsque le défaut ou le vice constaté résulte
origine différente. La garantie est également
par l'usure normale, par un accident
non prévue ni spécifiée par SEVAX.

WARRANTY
against any latent defect that might
of a 24 month period following the
recognized date when the products
and the customer must inform
carried out to determine whether
replacement of the product.
use.
responsibility if the product has been modified
what is recommended by our outstanding p
from what it was designed for as described in our d
incompatibility between our product and components f
does not extend either to defects or damage resulting from norm
the product not recommended by SEVAX.



SEVAX HYDRAULIC HINGE KIT

Material: Aluminium body, AISI304 stainless steel cover.

Kit including lower hydraulic hinge Art. SX-BT903, upper hinge Art. SX-BTUP1, and ceiling pivot SX-BTUP3.

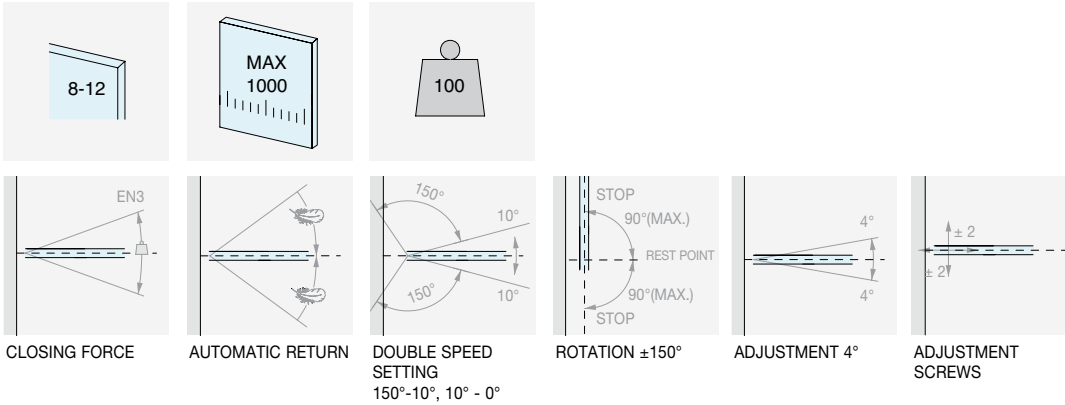
Lower hinge with automatic return which can be used with door panels weighing up to 100 kg and up to 1000 mm wide with rotation $\pm 150^\circ$

The hinge has two speed settings: between $150^\circ - 10^\circ$ and $10^\circ - 0^\circ$.

It is also possible to adjust both the zero point by $\pm 4^\circ$ and the position of the door by $\pm 2^\circ$ horizontally and vertically

The BTWIST model has been tested for 500,000 opening and closing cycles, in accordance with European standard EN1154:1996

Finish: /8 /15



CLOSING FORCE

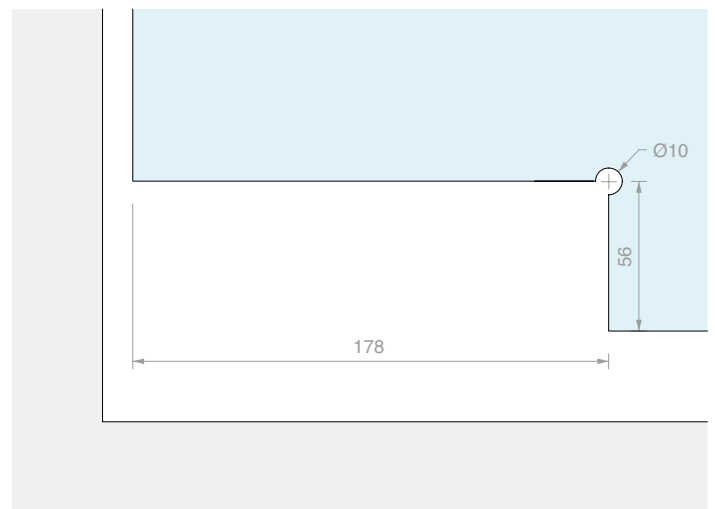
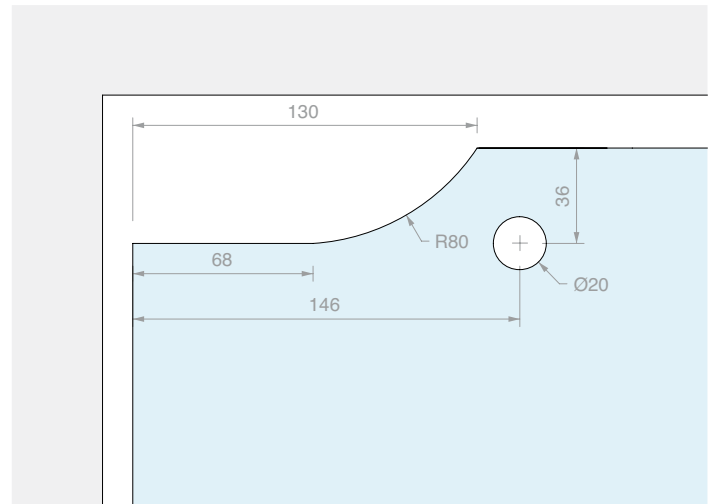
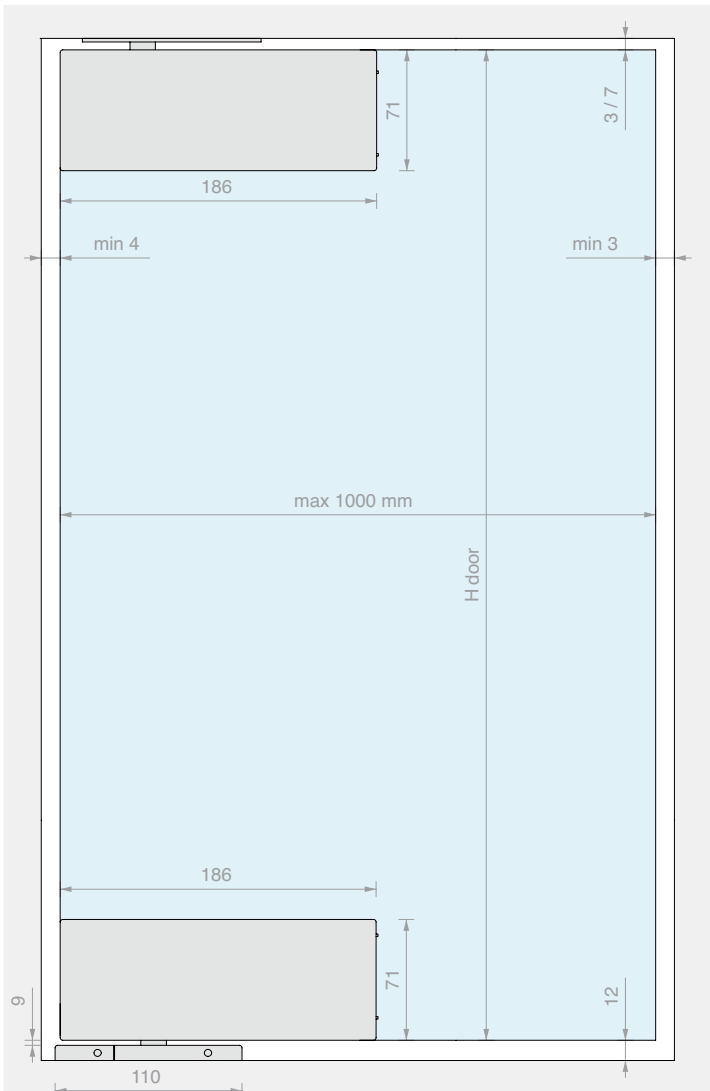
AUTOMATIC RETURN

DOUBLE SPEED SETTING
150°-10°, 10° - 0°

ROTATION $\pm 150^\circ$

ADJUSTMENT 4°

ADJUSTMENT SCREWS



Art.	Closing force	For glass	Qty
SX-BTKIT	EN3 (28 Nm)	From 8 to 12 mm	1 Pc

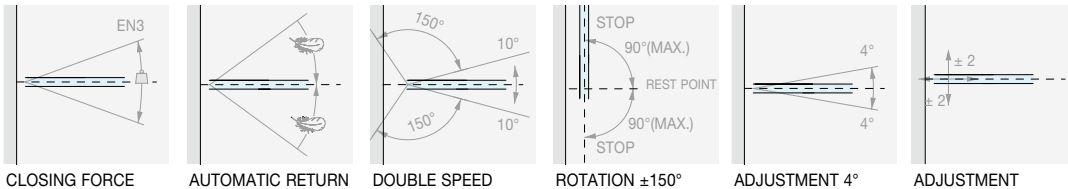
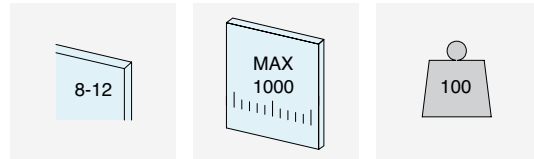


SEVAX BTWIST LOWER HINGE

Material: Aluminium die cast body,
AISI 304 stainless steel cover.

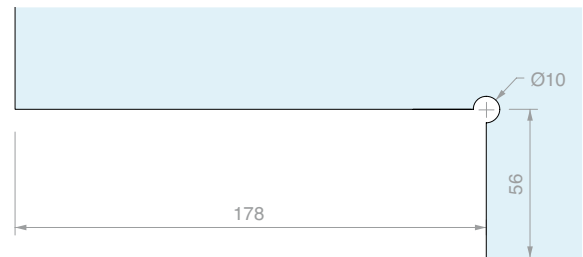
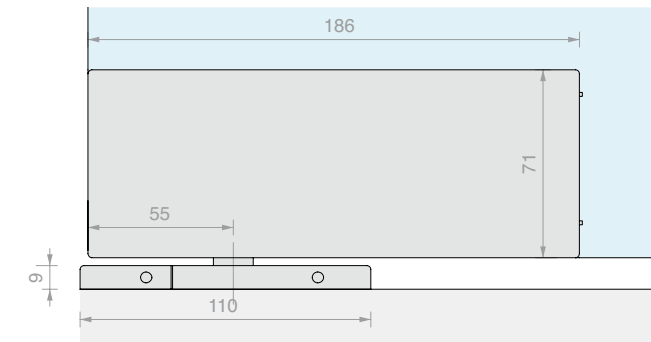
Lower hinge with automatic return can be used with door panels weighing up to 100 kg and up to 1000 mm wide with rotation $\pm 150^\circ$. The hinge has two speed settings: between $150^\circ - 10^\circ$ and $10^\circ - 0^\circ$. It is also possible to adjust both the zero point by $\pm 4^\circ$ and the position of the door by $\pm 2^\circ$ horizontally and vertically. The BTWIST model has been tested for 500,000 opening and closing cycles, in accordance with European standard END1154:1996

Finish: /8 /15



The BTWIST model has been tested for 500,000 opening and closing cycles, in accordance with European standard END1154:1996

150°-10°, 10° - 0°

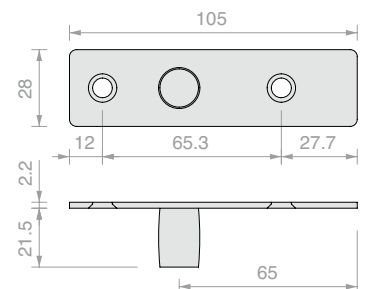


Art.	Closing force	For glass	Qty
SX-BT903	EN3 (28 Nm)	From 8 to 12 mm	1 Pc



PIN FOR UPPER HINGE BTUP1

Material: AISI 304 steel
Finish: /8 /15

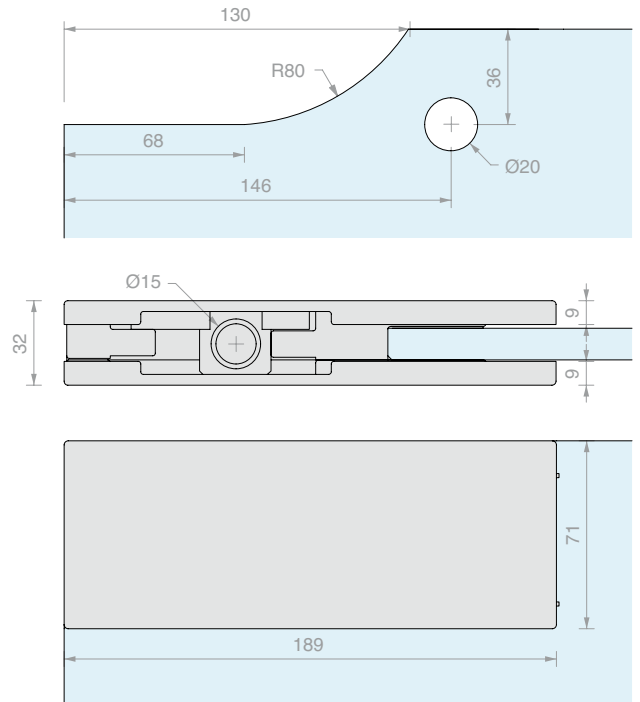


Art.	Qty
SX-BTUP3	1 Pc



SEVAX BTWIST UPPER HINGE

Material: Aluminium die cast body,
AISI 304 stainless steel cover.
Finish: /8 /15



Art.
SX-BTUP1

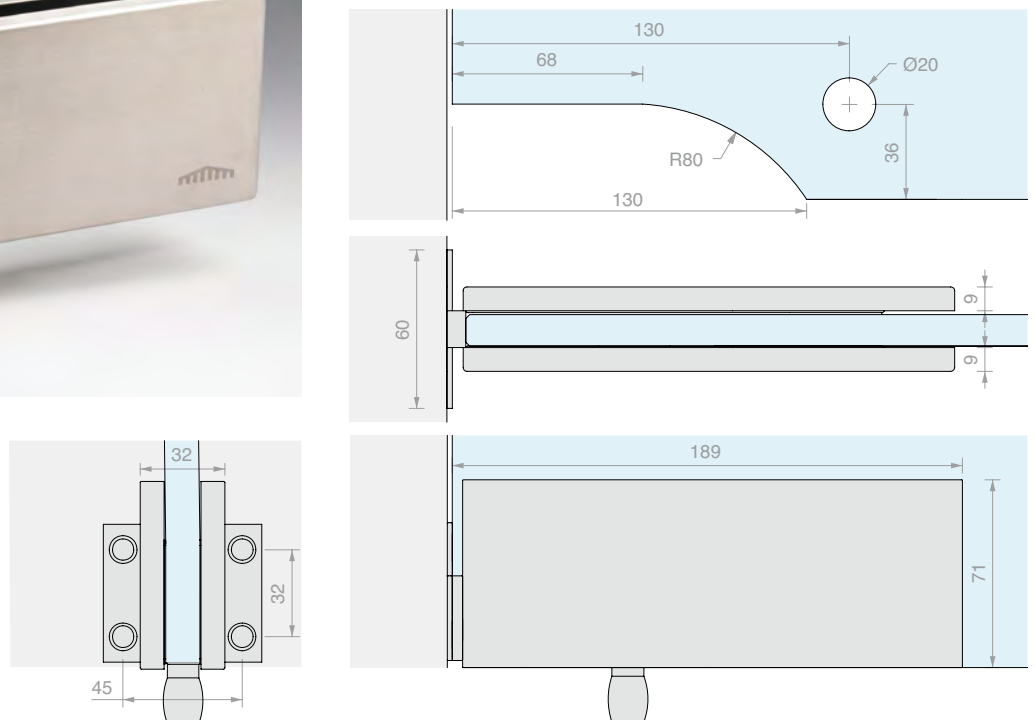
For glass
From 8 to 12 mm

Qty
1 Pc



SEVAX TRANSOM HINGE WALL FIXING

Material: Aluminium die cast body,
AISI 304 stainless steel cover.
Finish: /8 /15



Art.
SX-BTUP5

For glass
From 8 to 12 mm

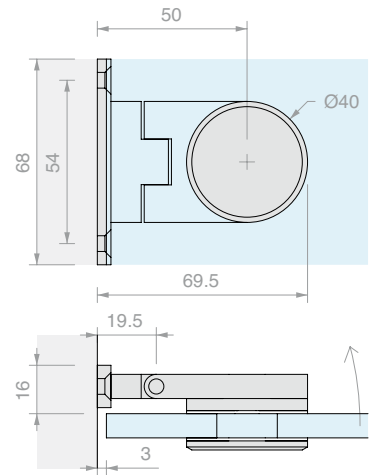
Qty
1 Pc





SOLEIL ROYAL SERIES WALL/GLASS HINGE

Material: AISI 304 stainless steel
 Rotation - 90
 Recommended hole size Ø20 mm
 Finish: /9

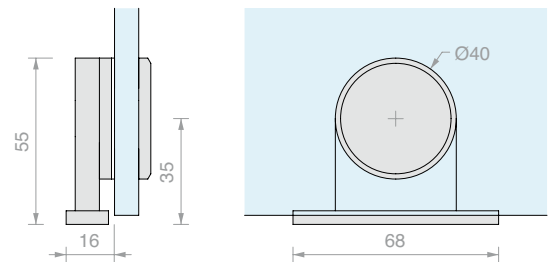


Art.	For glass	Qty
SPH2	From 8 to 10 mm	1 Pc



SOLEIL ROYAL SERIES WALL/GLASS CONNECTOR

Material: AISI 304 stainless steel
 Recommended hole size Ø20 mm
 Finish: /9

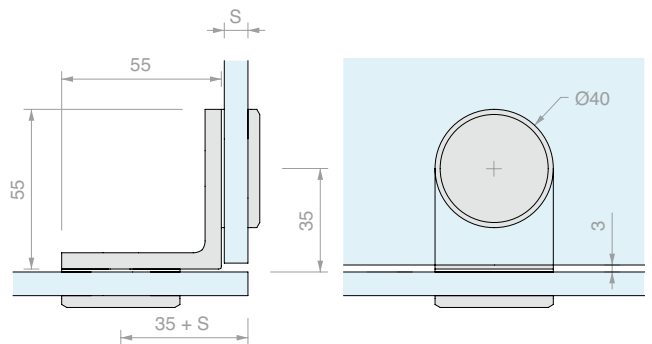


Art.	For glass	Qty
SPC501	From 8 to 10 mm	1 Pc



SOLEIL ROYAL SERIES 90° 2-WAY CONNECTOR

Material: AISI 304 stainless steel
 Recommended hole size Ø20 mm
 Finish: /9

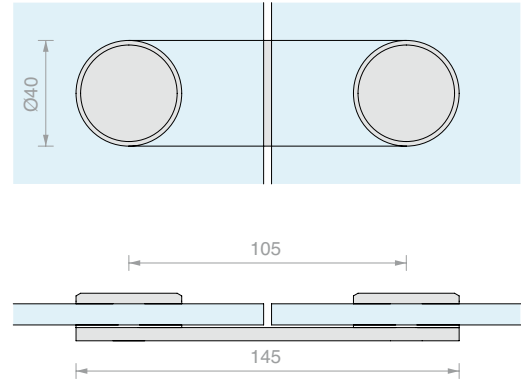


Art.	For glass thickness (S)	Qty
SPC503	From 8 to 10 mm	1 Pc



SOLEIL ROYAL SERIES STRAIGHT 2-WAY CONNECTOR

Material: AISI 304 stainless steel
Recommended hole size Ø20 mm
Finish: /9

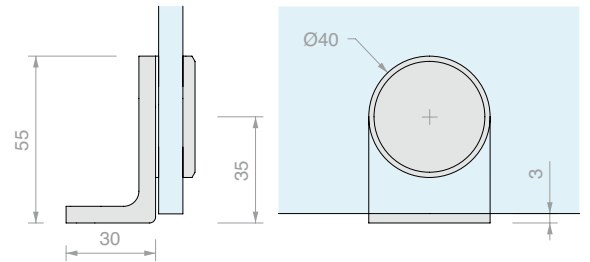


Art.	For glass	Qty
SPC509	From 8 to 10 mm	1 Pc



SOLEIL ROYAL L-SHAPED CONNECTOR

Material: AISI 304 stainless steel
Recommended hole size Ø20 mm
Finish: /9

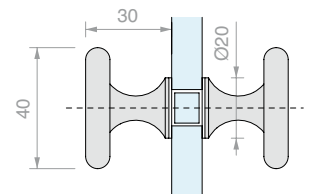


Art.	For glass	Qty
SPC507	From 8 to 10 mm	1 Pc



PAIR OF SOLEIL ROYAL SERIES DOOR KNOBS

Material: AISI 304 stainless steel
Recommended hole size Ø12 mm
Finish: /9

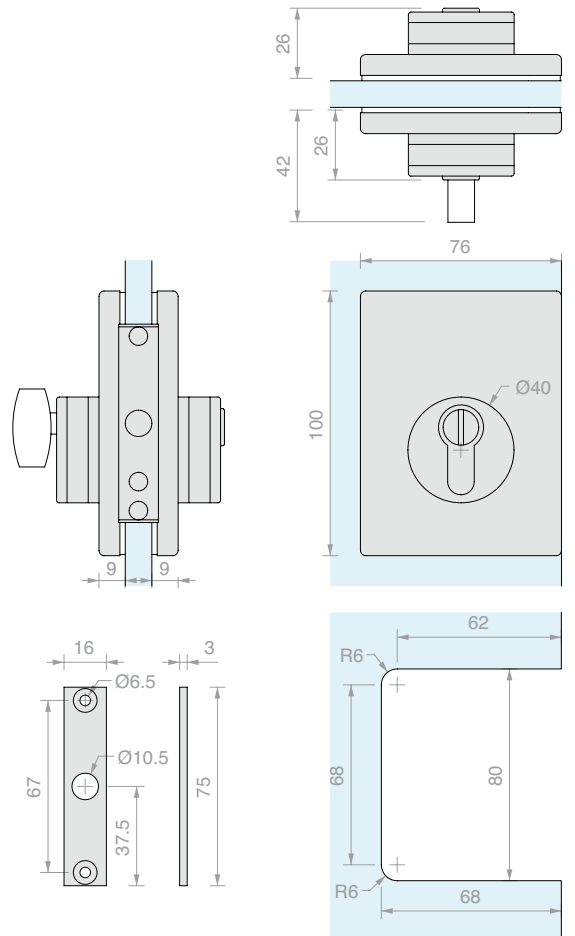


Art.	For glass	Qty
POM8	From 8 to 10 mm	1 Pc



SOLEIL ROYAL LOCK

Material: AISI 304 stainless steel
 Supplied with European cylinder and 3 keys
 Pivot $\varnothing 10 \times L 18$ mm.
 Finish: /8 /15

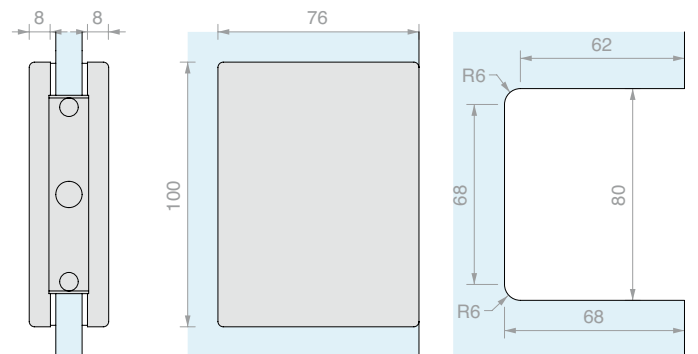


Art.	For glass	Lock	Key	Qty
SEROYS	From 8 to 12 mm	Lock + lock	Single	1 Pc
SEROYSD	From 8 to 12 mm	Lock + lock	Different	1 Pc
SEROYP	From 8 to 12 mm	Door knob + lock	Different	1 Pc

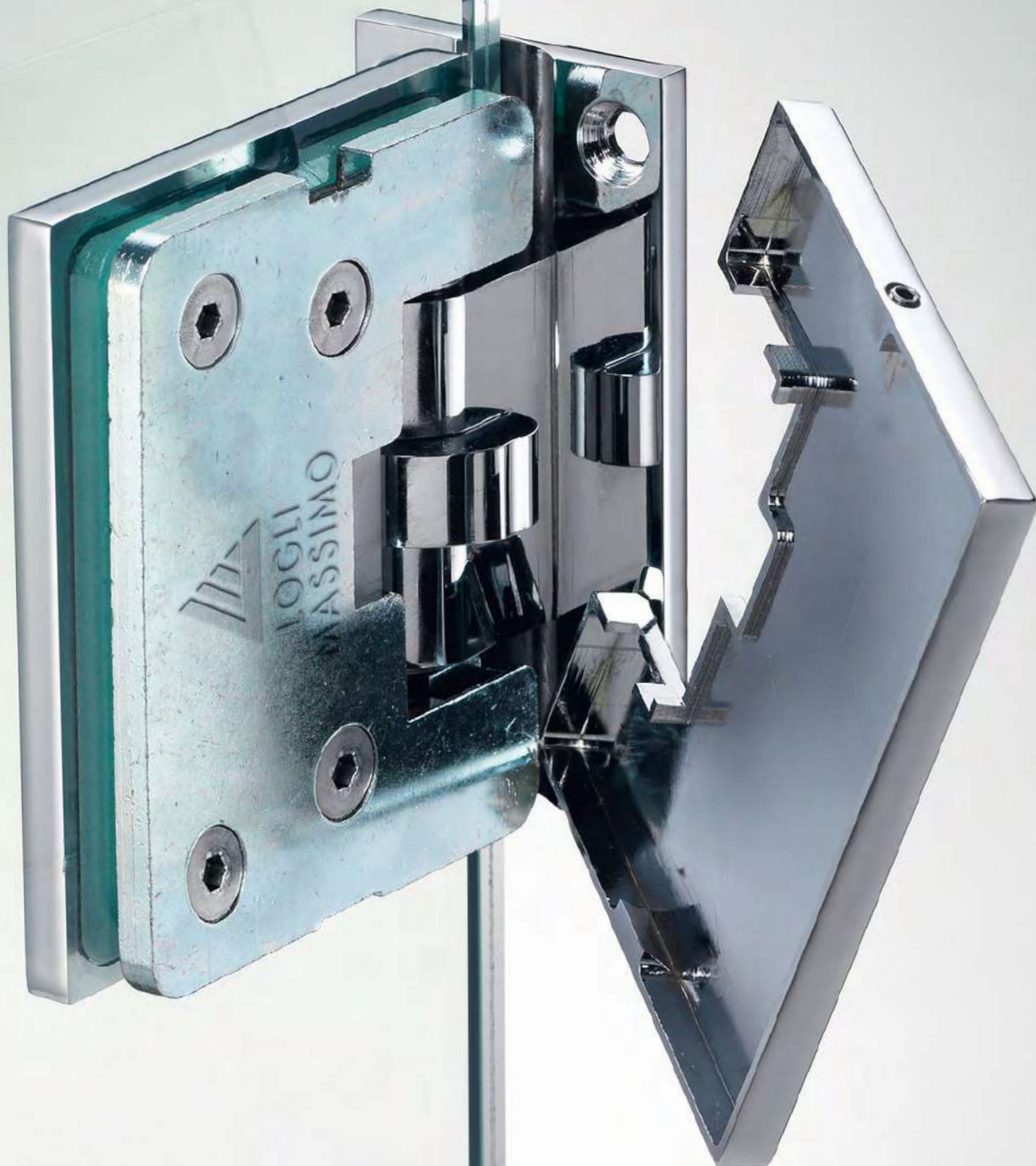


STRIKE PLATE FOR SOLEIL ROYAL LOCK

Material: AISI 304 stainless steel
 Finish: /8 /15



Art.	For glass	Qty
SEROYC	From 8 to 12 mm	1 Pc





**CENTRAL WALL/GLASS HINGE
DQMATIQUE WITH SPRING RETURN**

Material: Brass, AISI 304 stainless steel

Finish: /1 /24 /45



SET OF WALL SPACERS

Material: Steel

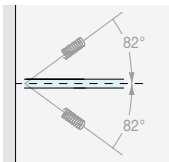
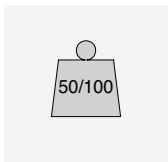
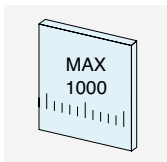
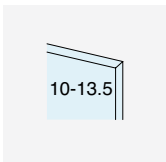
1 Pc thickness 0.5 mm

1 Pc thickness 1 mm

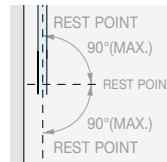
1 Pc thickness 2.5 mm

Finish: /8 /15

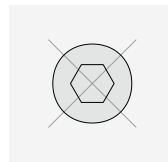
Art.	Qty
DQMATIQUE3	1 Pc



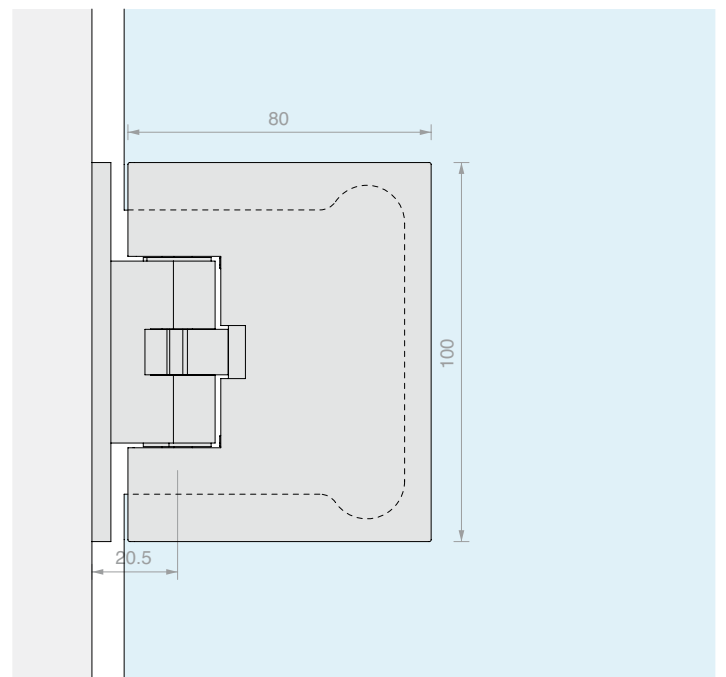
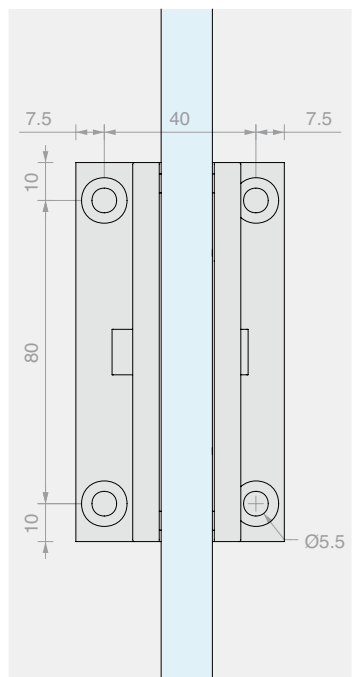
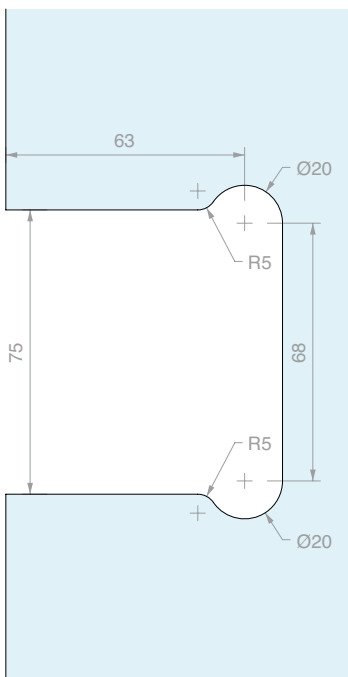
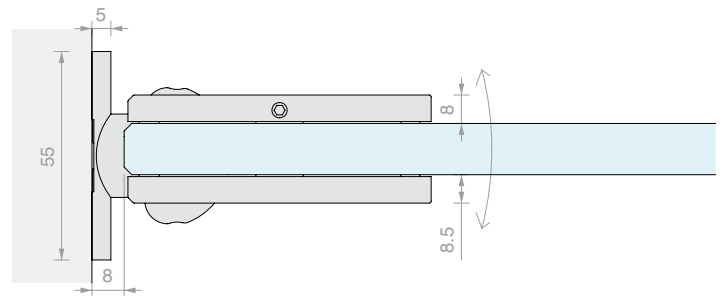
CLOSING RETURN



±90° ROTATION



NO EXPOSED SCREWS



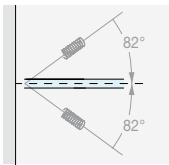
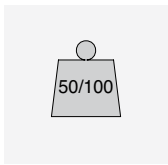
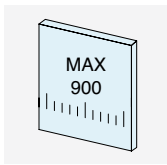
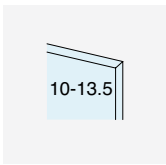
Art.	Load	For glass	Qty
DQMATIQUE44	50 kg	From 10 to 13.5 mm	1 Pc
DQMATIQUE66	100 kg	From 10 to 13.5 mm	1 Pc



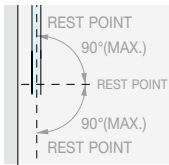
**GLASS/GLASS HINGE
DQMATIQUE WITH SPRING RETURN**

Material: Brass, AISI 304 stainless steel

Finish: /1 /24 /45



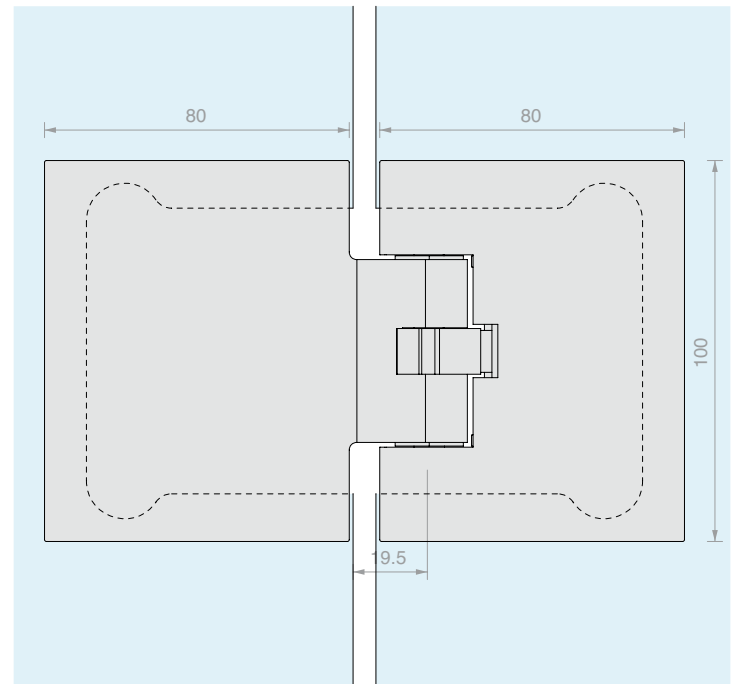
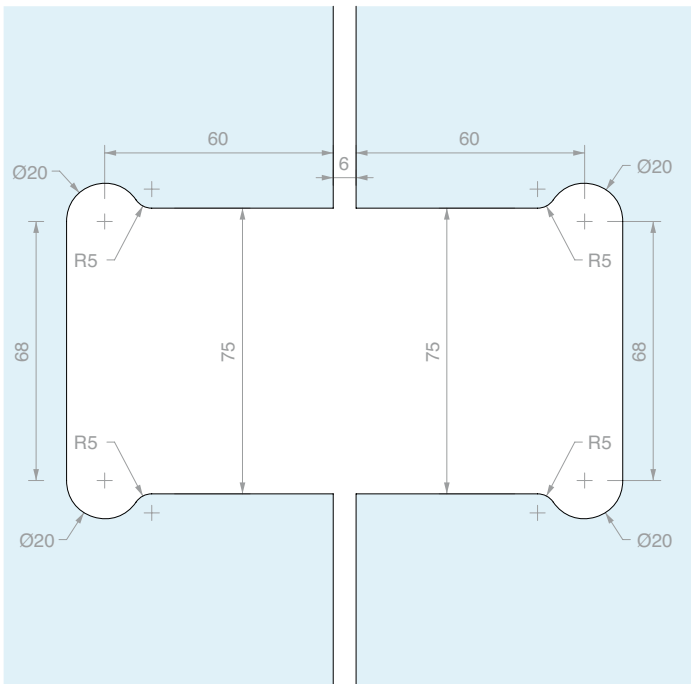
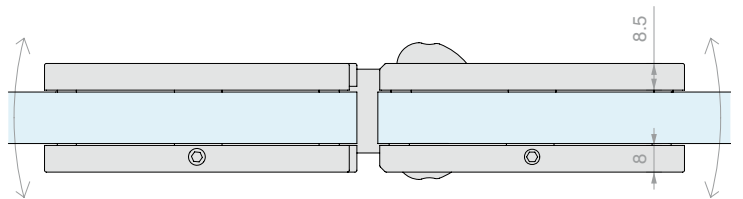
CLOSING RETURN



±90° ROTATION



NO EXPOSED SCREWS

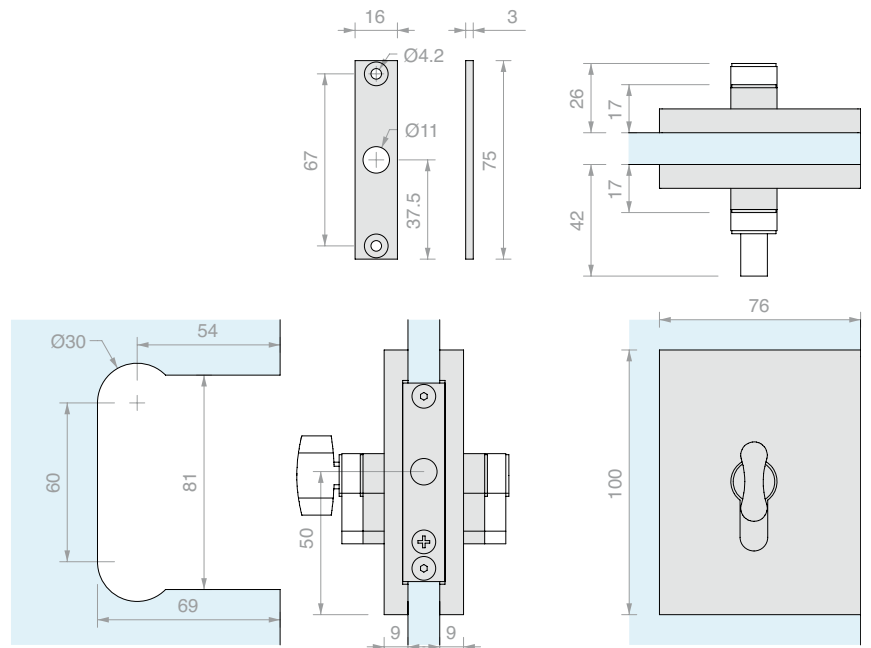


Art.	Load	For glass	Qty
DQMATIQUE480	50 kg	From 10 to 13.5 mm	1 Pc
DQMATIQUE680	100 kg	From 10 to 13.5 mm	1 Pc



SER-MY LOCK

Material: Brass
 Supplied with European cylinder and 3 keys
 Pivot Ø10 x L 18 mm.
 Finish: /1 /2 /3

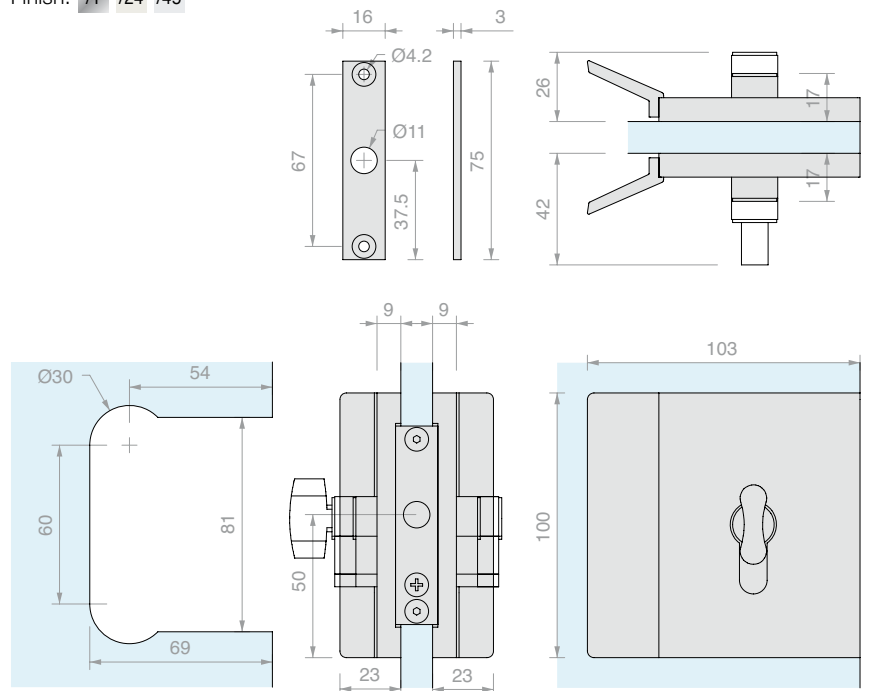


Art.	For glass	Lock	Key	Qty
SERMYS	From 8 to 12 mm	Lock + lock	Different	1 Pc
SERMYSU	From 8 to 12 mm	Lock + lock	Single	1 Pc
SERMYP	From 8 to 12 mm	Door knob + lock	Single	1 Pc



SER-MY LOCK WITH REAR HANDLES

Material: Brass
 Supplied with European cylinder and 3 keys
 Pivot Ø10 x L 18 mm.
 Finish: /1 /24 /45

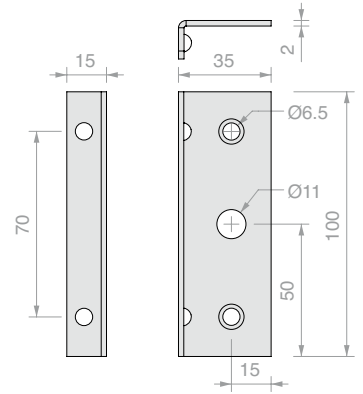


Art.	For glass	Lock	Key	Qty
SERMYMS	From 8 to 12 mm	Lock + lock	Different	1 Pc
SERMYMSU	From 8 to 12 mm	Lock + lock	Single	1 Pc
SERMYMP	From 8 to 12 mm	Door knob + lock	Single	1 Pc



WALL STRIKE PLATE

Material: Steel
Finish: /8 /15

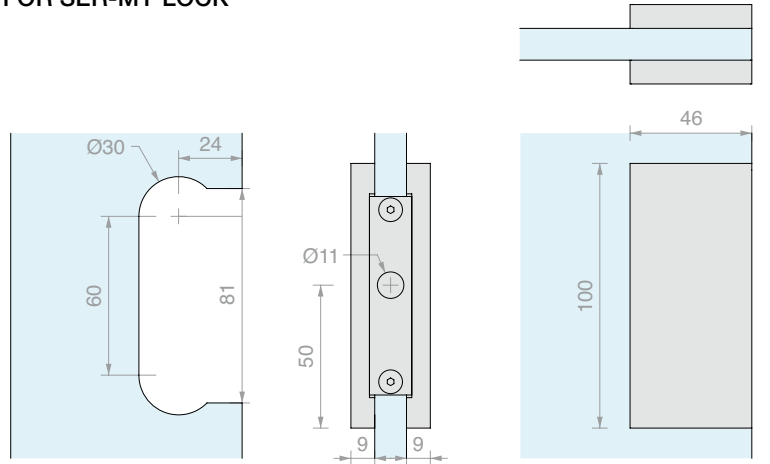


Art. **SERMYL** Qty 1 Pc



STRIKE PLATE FOR SER-MY LOCK

Material: Brass
Finish: /1 /2 /3

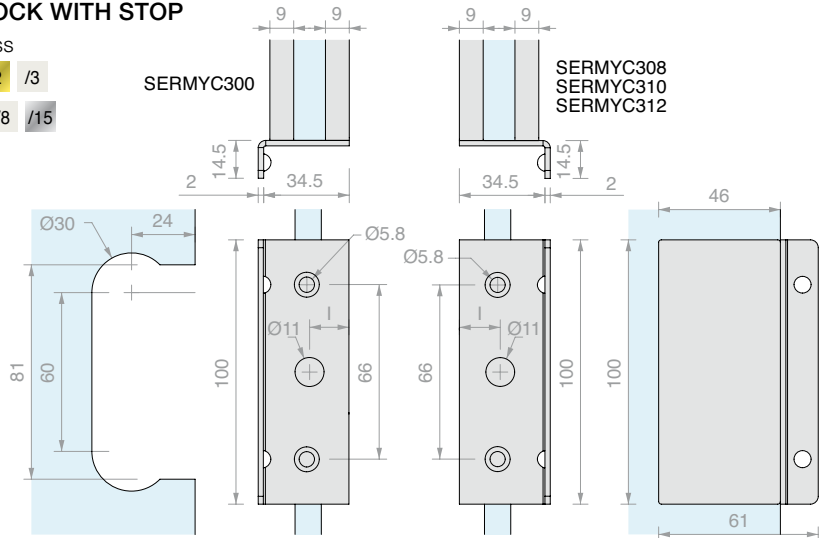


Art. **SERMYC1** For glass From 8 to 12 mm Qty 1 Pc



STRIKE PLATE FOR SER-MY LOCK WITH STOP

Material: Brass
Finish: /1 /2 /3
Finish*: /2 /8 /15



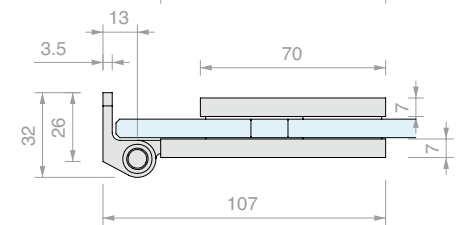
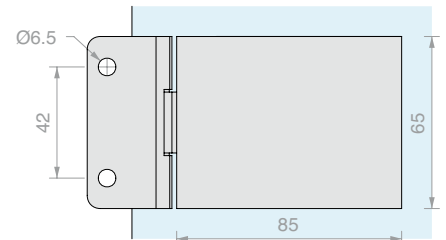
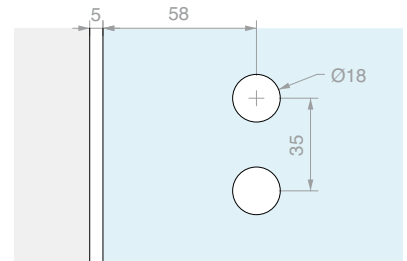
Art.	For glass	l	Description	Qty
SERMYC300	From 8 to 12 mm	15 mm		1 Pc
SERMYC308	8 mm	15.5 mm		1 Pc
SERMYC310	10 mm	15 mm		1 Pc
SERMYC312	12 mm	14 mm		1 Pc
YC300*	From 8 to 12 mm	15 mm	Plate only	1 Pc
YC308*	8 mm	15.5 mm	Plate only	1 Pc
YC310*	10 mm	15 mm	Plate only	1 Pc
YC312*	12 mm	14 mm	Plate only	1 Pc



HINGE FOR NARROW JAMBS FR300R

Material: AISI 304 stainless steel

Finish: /8 /15



--	--	--	--

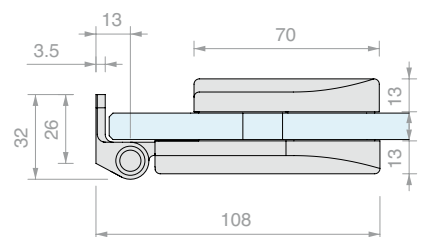
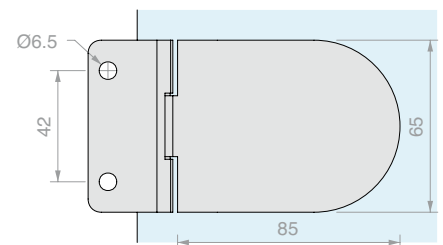
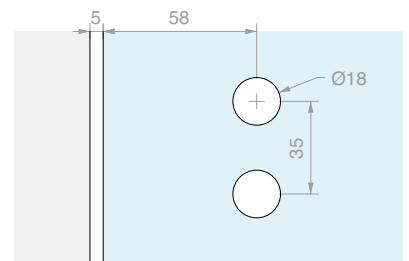
Art.	For glass	Qty
FR300R	From 8 to 12 mm	1 Pc



HINGE FOR NARROW JAMBS FH300C

Material: AISI 304 stainless steel

Finish: /8 /15



--	--	--	--

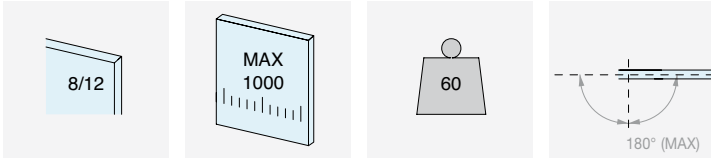
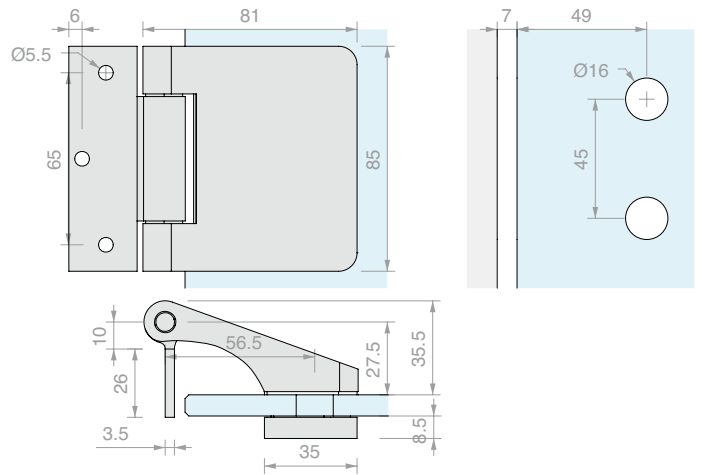
Art.	For glass	Qty
FH300C	From 8 to 12 mm	1 Pc



VERTICAL HINGE FOR DOOR JAMBS

Material: Brass

Finish: /1 /3



Art.	For glass	Qty
CER148	From 8 to 12 mm	1 Pc

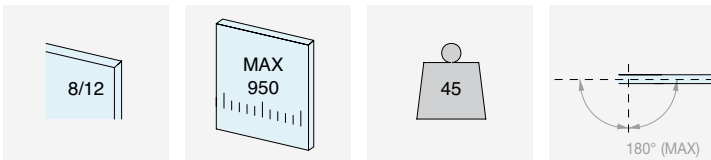
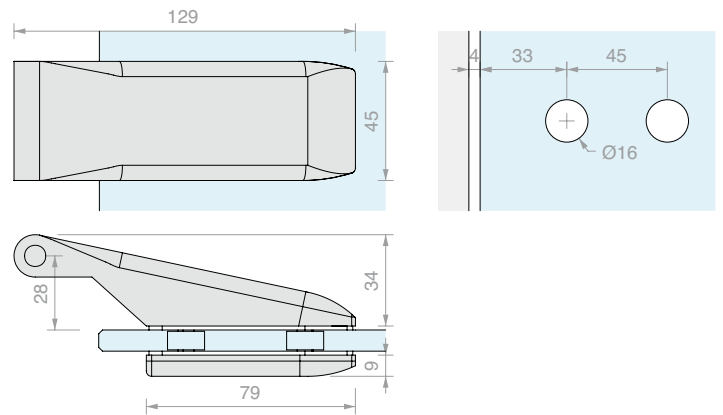


SQUARE HINGE FOR DOOR JAMBS TO BE FITTED TO WALL PIVOT

Material: Brass

With anuba hinge cover

Finish: /1 /3



Art.	For glass	Qty
CER160	From 8 to 12 mm	1 Pc

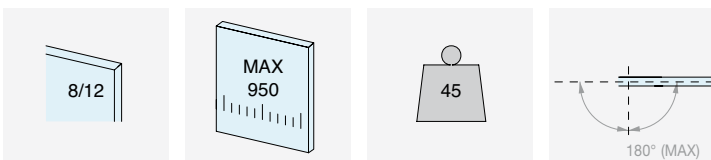
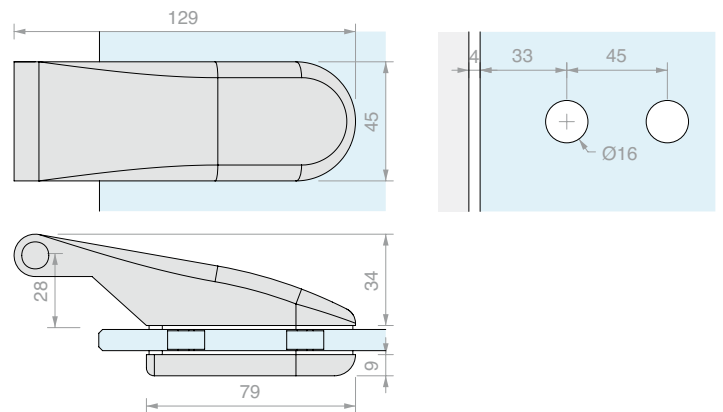


ROUNDED HINGE FOR DOOR JAMBS TO BE FITTED TO PIVOT

Material: Brass

With anuba hinge cover

Finish: /1 /3



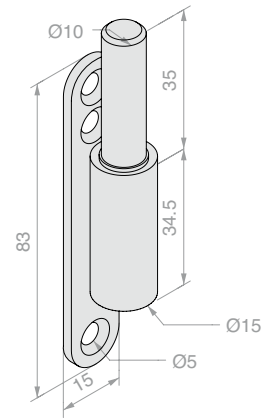
Art.	For glass	Qty
CER175	From 8 to 12 mm	1 Pc



ANUBA WALL/HINGE PIVAN04

Material: Galvanised iron

Finish: /89



Art.
PIVAN04

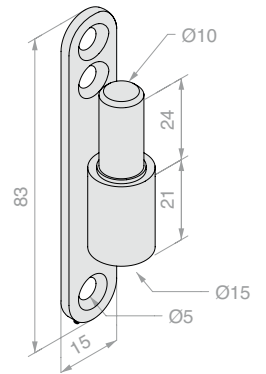
Q.ty
1 Pc



ANUBA WALL/HINGE PIVAN01

Material: AISI 304 stainless steel

Finish: /8



Art.
PIVAN01

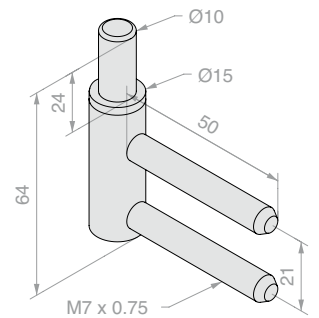
Q.ty
1 Pc



ANUBA WOOD/HINGE PIVAN05

Material: Galvanised iron

Finish: /89



Art.
PIVAN05

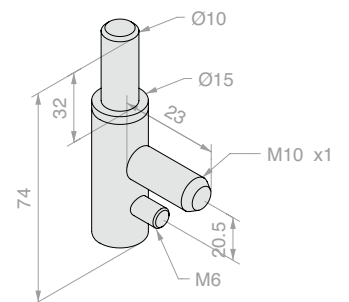
Q.ty
1 Pc



ANUBA METAL/HINGE PIVAN08

Material: Galvanised iron

Finish: /89



Art.
PIVAN08

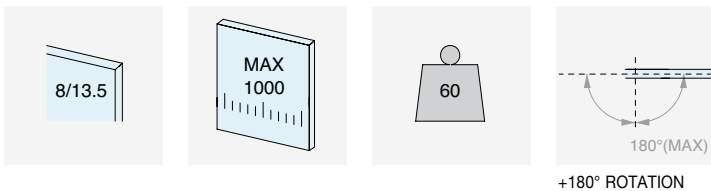
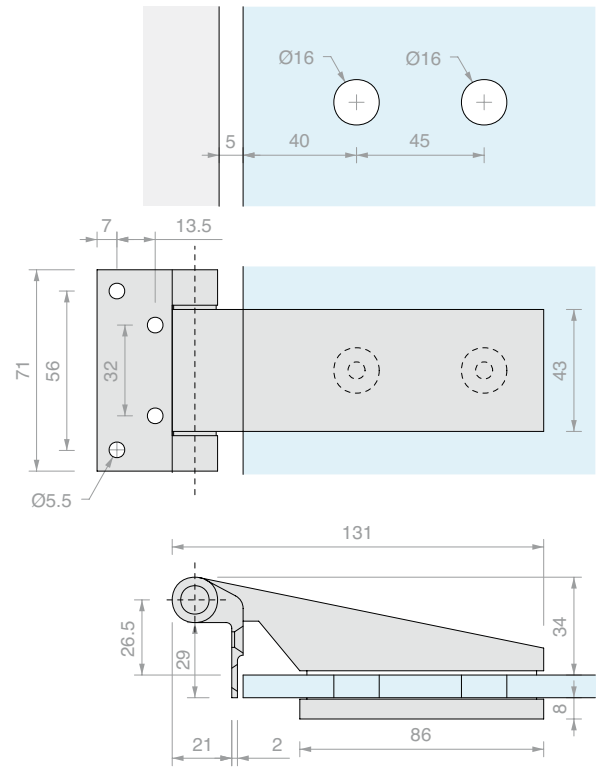
Q.ty
1 Pc



WALL/GLASS HINGE FOR SQUARE DOOR JAMBS

Material: Aluminium

Finish: /6 /88 /97



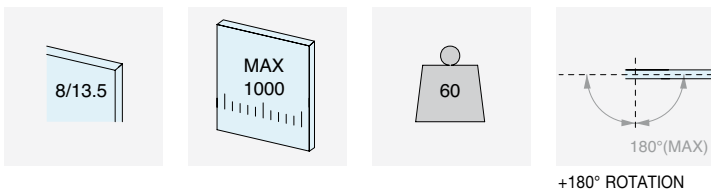
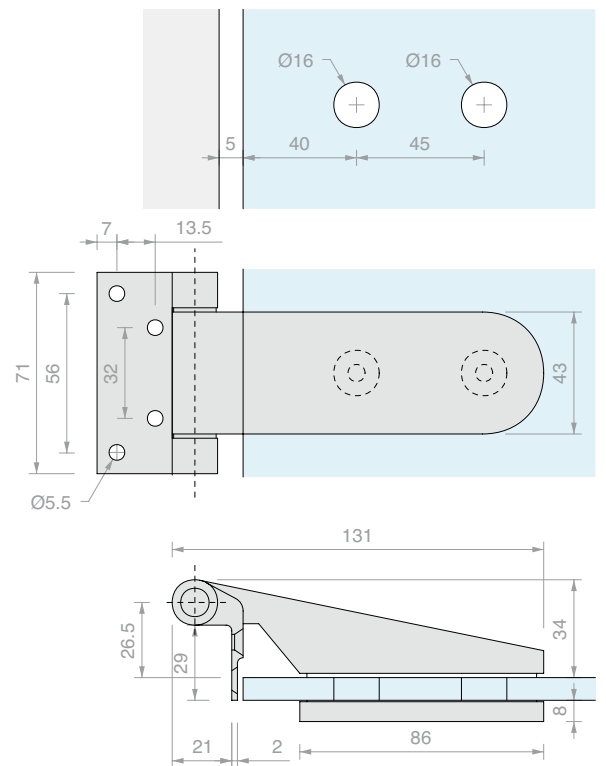
Art.	For glass	Qty
CER4ALSQ	From 8 to 13.5 mm	1 Pc



WALL/GLASS HINGE FOR ROUNDED DOOR JAMBS

Material: Aluminium

Finish: /6 /88 /97



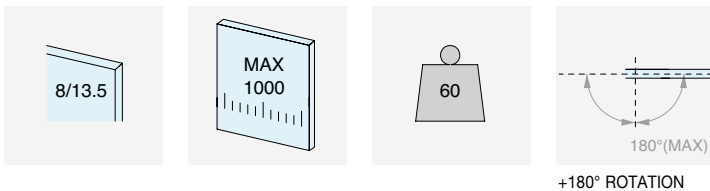
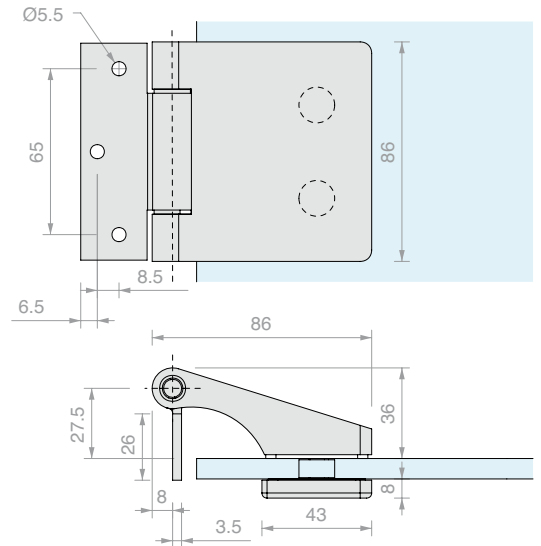
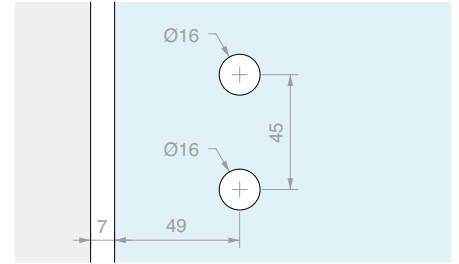
Art.	For glass	Qty
CER4AL	From 8 to 13.5 mm	1 Pc



WALL/GLASS HINGE FOR SQUARE DOOR JAMBS

Material: Aluminium

Finish: /6 /88 /97



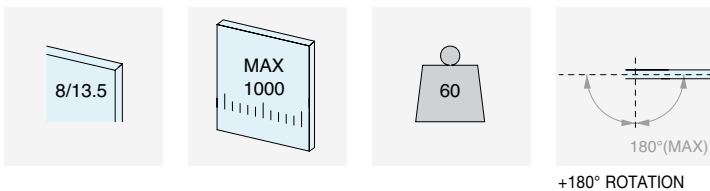
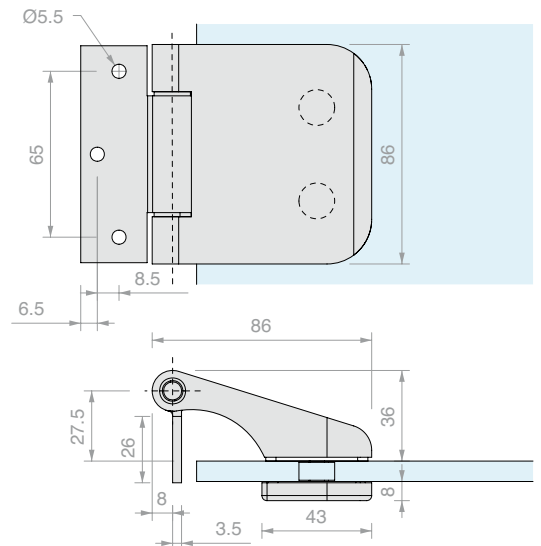
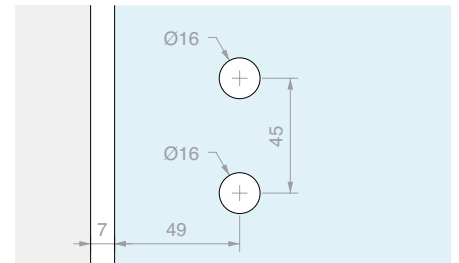
Art.	For glass	Qty
CER148ALSQ	From 8 to 13.5 mm	1 Pc



WALL/GLASS HINGE FOR ROUNDED DOOR JAMBS

Material: Aluminium

Finish: /6 /88 /97



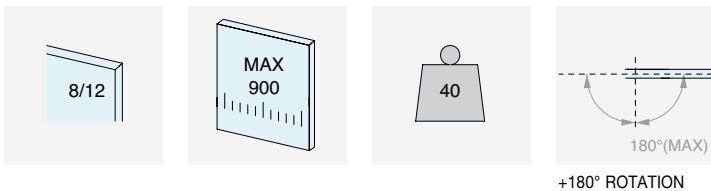
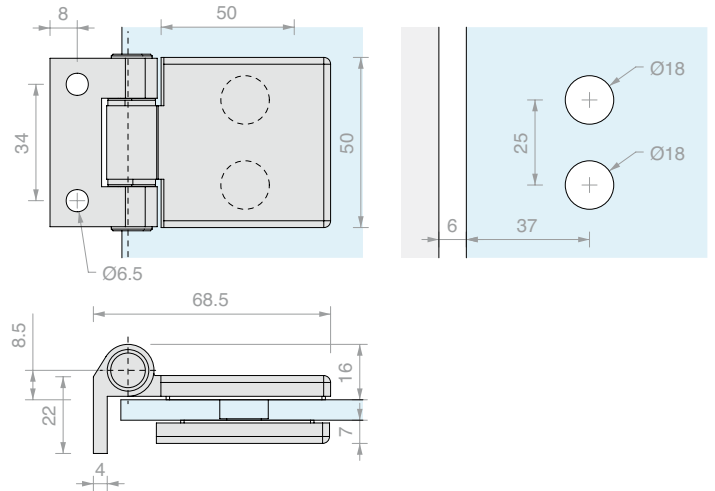
Art.	For glass	Qty
CER148AL	From 8 to 13.5 mm	1 Pc



WALL/GLASS HINGE FOR NARROW SQUARE DOOR JAMBS

Material: Aluminium

Finish: /97 /R2



+180° ROTATION

Art.

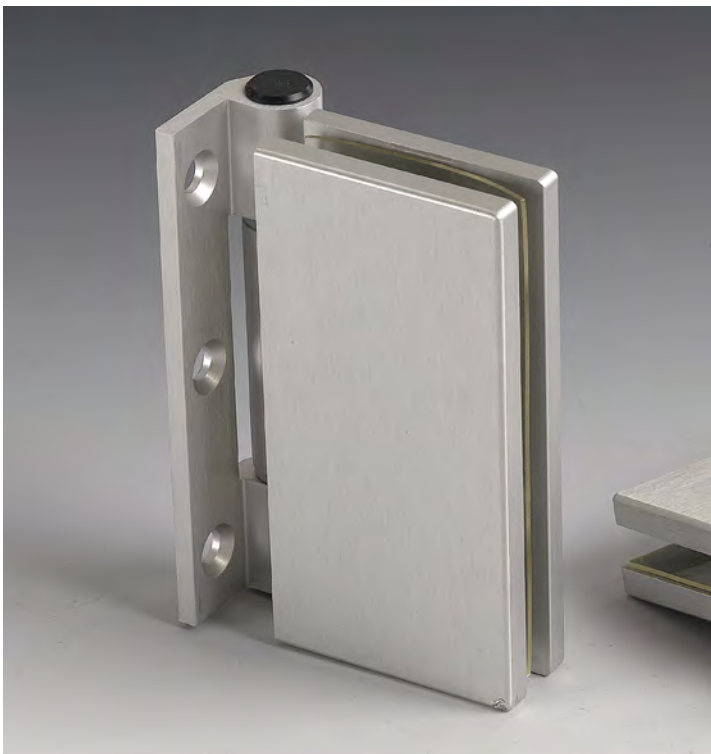
For glass

Qty

FA50

From 8 to 12 mm

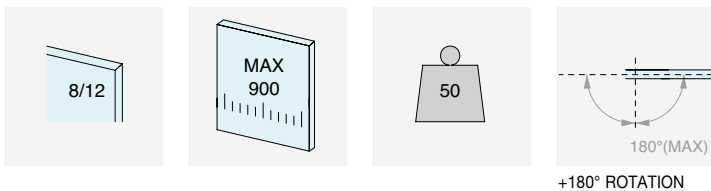
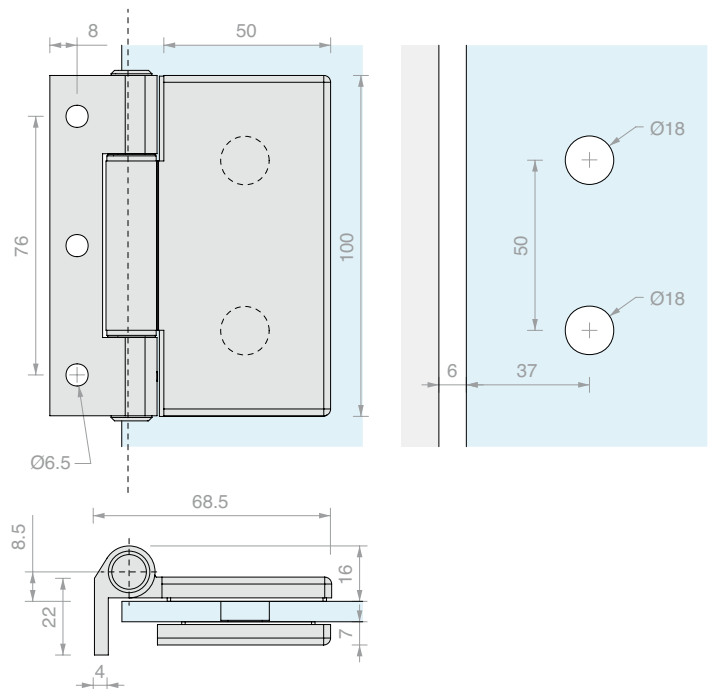
1 Pc



WALL/GLASS HINGE FOR NARROW RECTANGULAR DOOR JAMBS

Material: Aluminium

Finish: /97 /R2



+180° ROTATION

Art.

For glass

Qty

FA100

From 8 to 12 mm

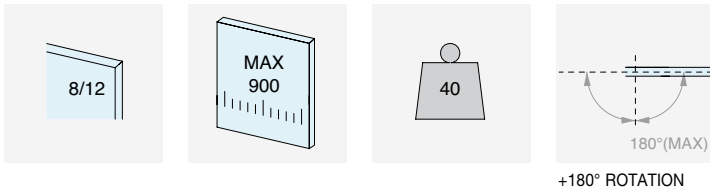
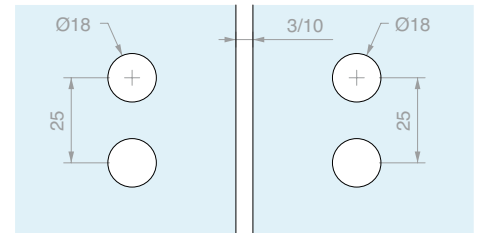
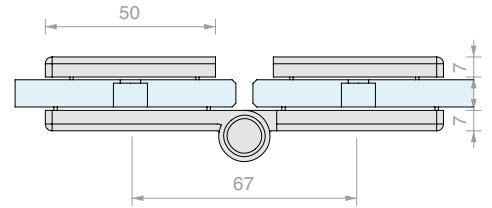
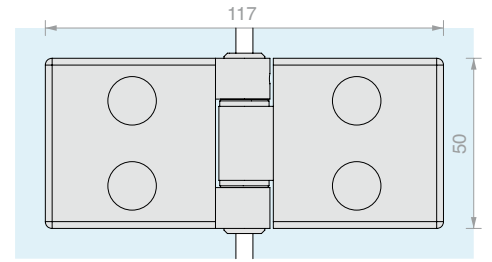
1 Pc



GLASS/GLASS HINGE FA580

Material: Aluminium

Finish: /97 /R2



+180° ROTATION

Art.

For glass

Qty

FA580

From 8 to 12 mm

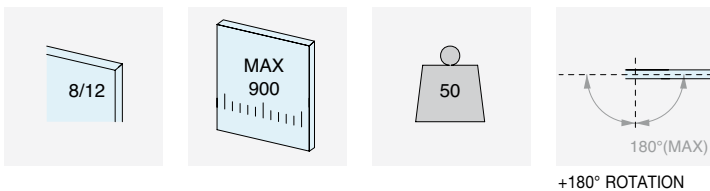
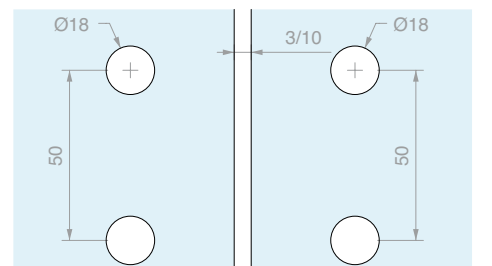
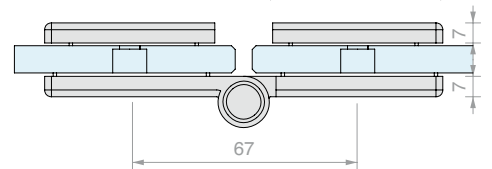
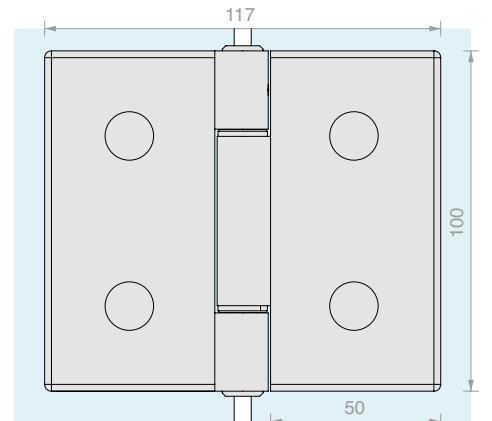
1 Pc



GLASS/GLASS HINGE FA180

Material: Aluminium

Finish: /97 /R2



+180° ROTATION

Art.

For glass

Qty

FA180

From 8 to 12 mm

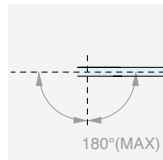
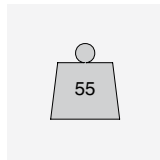
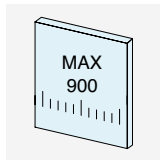
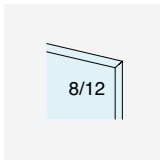
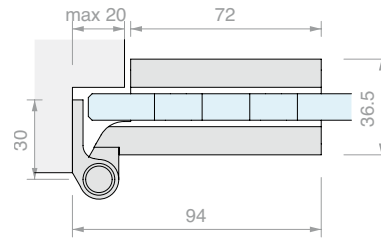
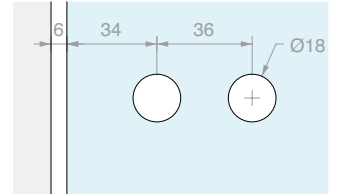
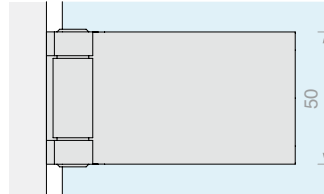
1 Pc



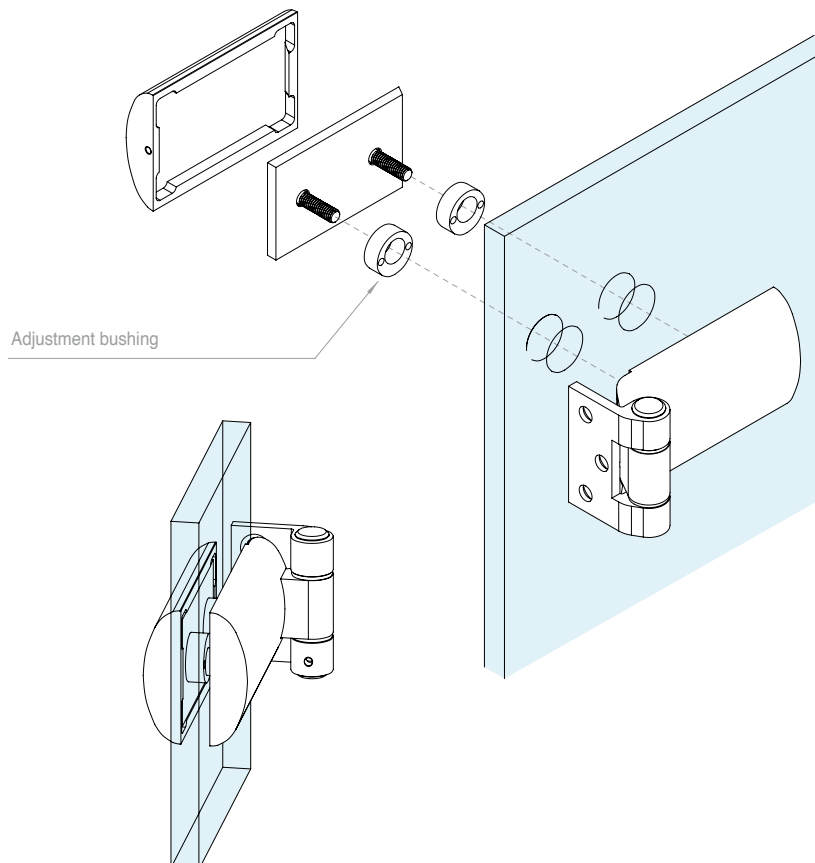
GLASS HINGES

Material: Aluminium

Finish: /97



+180° ROTATION



Adjustment bushing

Art.

CERMGLISS

For glass

From 8 to 12 mm

Qty

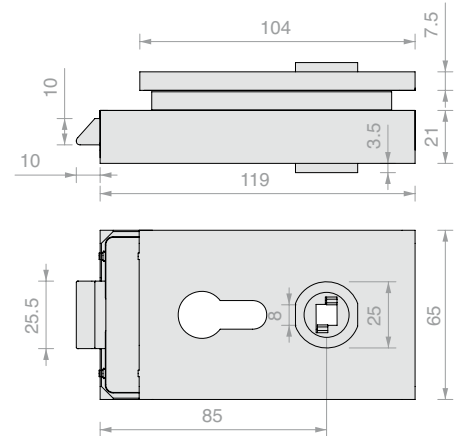
1 Pc



**SR1220 LOCK BODY
WITH HOLE FOR EUROPEAN CYLINDER**

Material: AISI 304 stainless steel

Finish: /8 /15



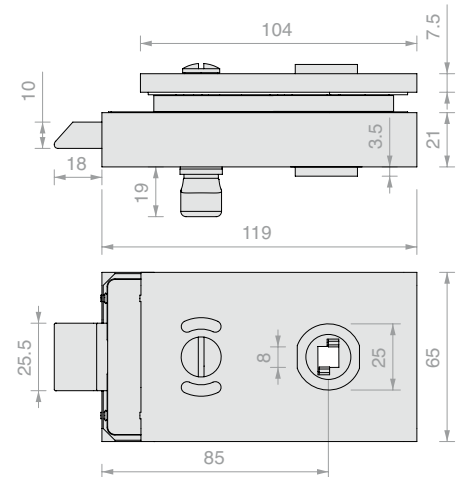
Art.	For glass	Latch	Qty
SR1220CORP	From 8 to 12 mm	Mechanical	1 Pc



**SR1220 LOCK BODY WITH DOOR KNOB,
FREE/OCCUPIED**

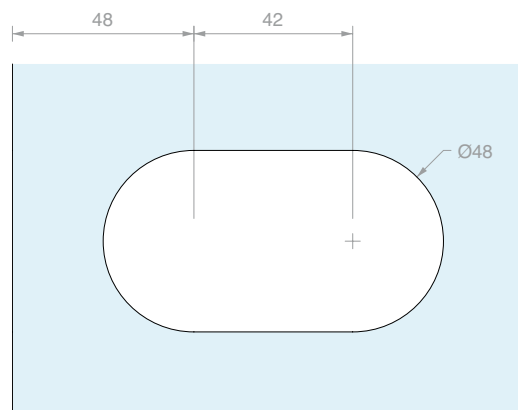
Material: AISI 304 stainless steel

Finish: /8 /15



Art.	For glass	Latch	Qty
SR119CORP	From 8 to 12 mm	Mechanical	1 Pc

LOCK NOTCH SR1220

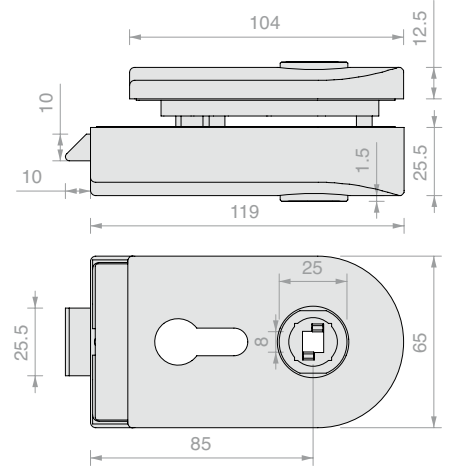




**SRS1180 LOCK BODY
WITH HOLE FOR EUROPEAN CYLINDER**

Material: AISI 304 stainless steel

Finish: /8 /15



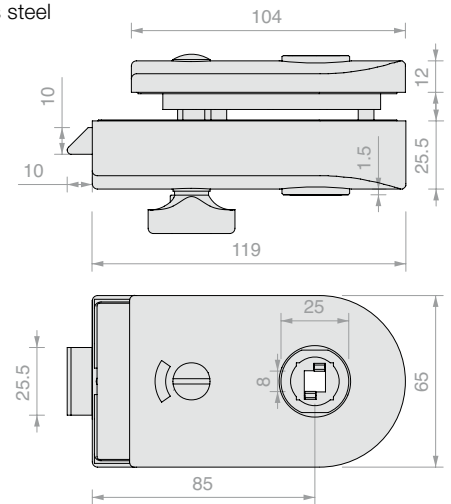
Art.	For glass	Latch	Qty
SRS1180CORP	From 8 to 12 mm	Mechanical	1 Pc



**SR118 LOCK BODY WITH DOOR KNOB AND
FREE/OCCUPIED**

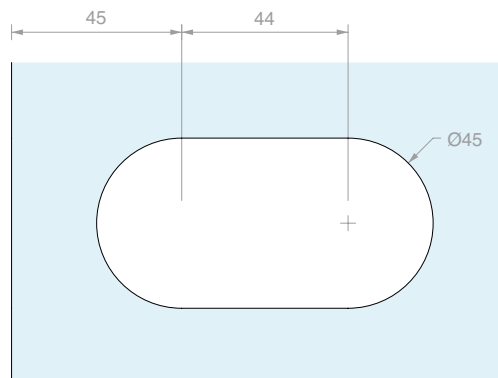
Material: AISI 304 stainless steel

Finish: /8 /15



Art.	For glass	Latch	Qty
SR118CORP	From 8 to 12 mm	Mechanical	1 Pc

LOCK NOTCH SRS1180 / SR118

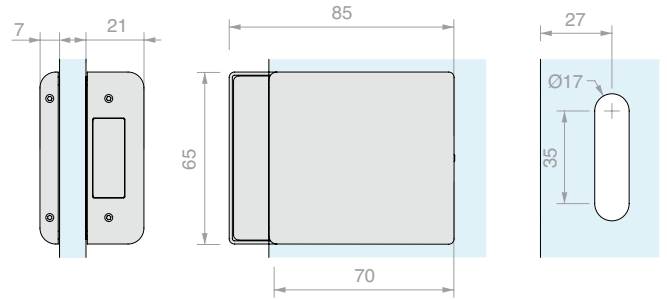




COUNTERLOCK SERIES SR1220

Material: AISI 304 stainless steel

Finish: /8 /15



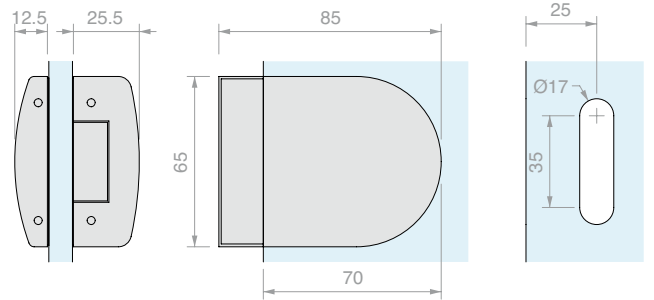
Art.	For glass	Qty
SR1224	From 8 to 12 mm	1 Pc



COUNTERLOCK SERIES SR118

Material: AISI 304 stainless steel

Finish: /8 /15



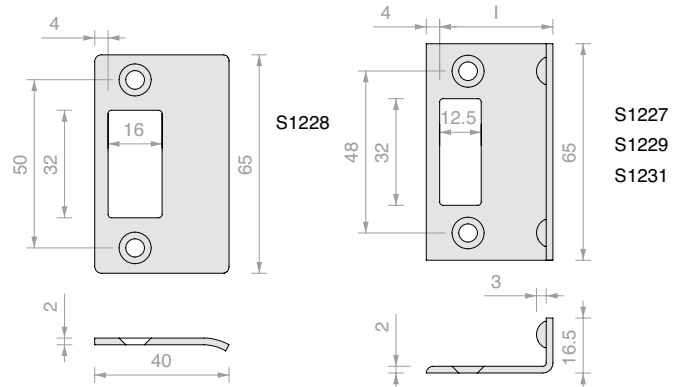
Art.	For glass	Qty
SRC118	From 8 to 12 mm	1 Pc



STRIKING PLATE

Material: Stainless steel

Compatible with: SR1220, SR119, SRS1180, SR118



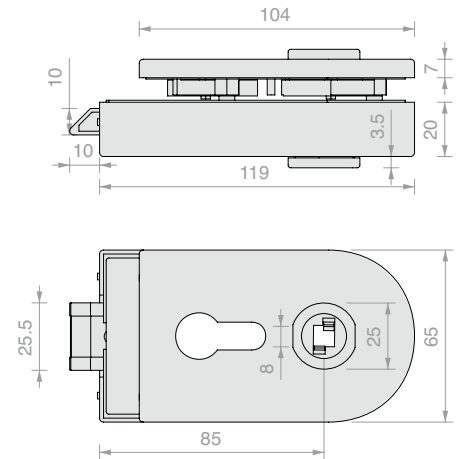
Art.	For glass	I	Qty
S1228	-	-	1 Pc
S1227	8 mm	27 mm	1 Pc
S1229	10 mm	29 mm	1 Pc
S1231	12 mm	31 mm	1 Pc



S120 LOCK BODY FOR JAMBS WITH HOLE FOR EUROPEAN CYLINDER

Material: AISI 304 stainless steel

Finish: /8 /15

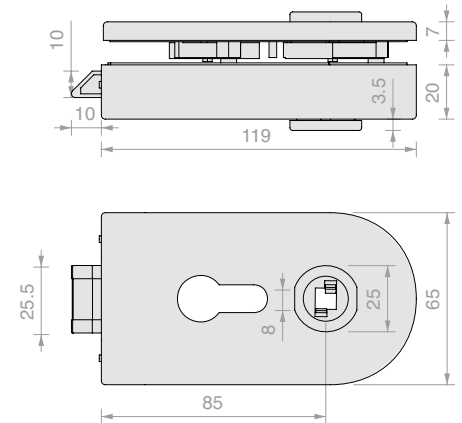


Art.	For glass	Latch	Qty
S1203CORP	From 8 to 12 mm	Mechanical	1 Pc

S120 LOCK BODY WITH HOLE FOR EUROPEAN CYLINDER

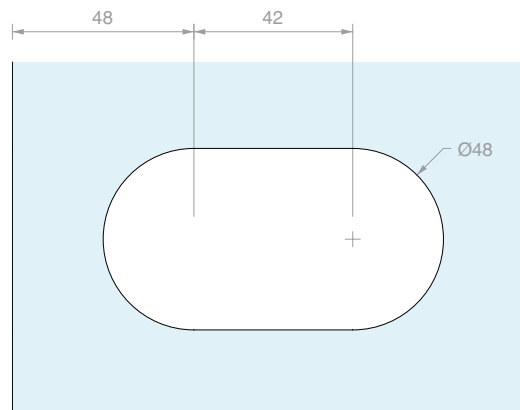
Material: AISI 304 stainless steel

Finish: /8 /15



Art.	For glass	Latch	Qty
S1201CORP	From 8 to 12 mm	Mechanical	1 Pc

LOCK NOTCH S120

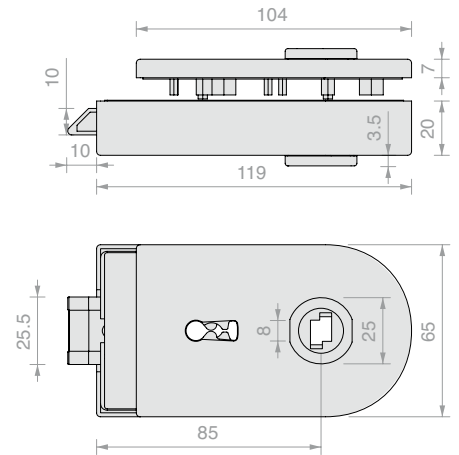




**S120 FOR LOCK BODY FOR JAMBS
WITH PATENTED KEY**

Material: AISI 304 stainless steel

Finish: /8 /15

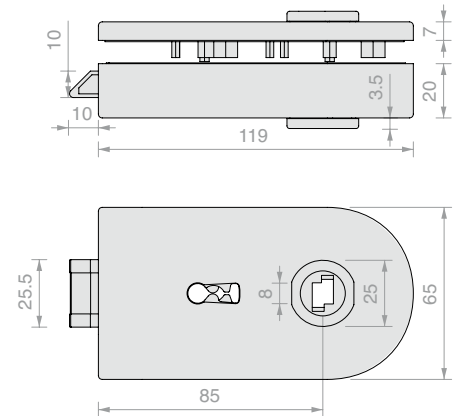


Art.	For glass	Latch	Qty
S1207KCORP	From 8 to 12 mm	Mechanical	1 Pc

S120 LOCK BODY WITH PATENT KEY

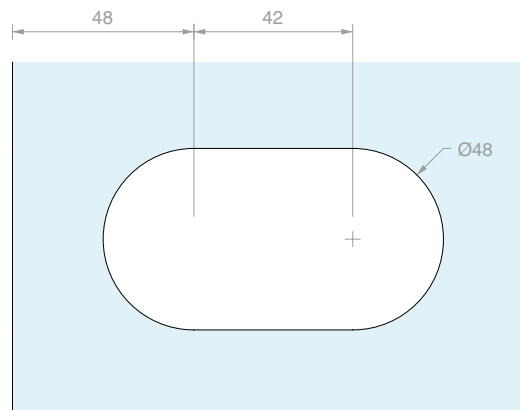
Material: AISI 304 stainless steel

Finish: /8 /15



Art.	For glass	Latch	Qty
S1205KCORP	From 8 to 12 mm	Mechanical	1 Pc

LOCK NOTCH S120

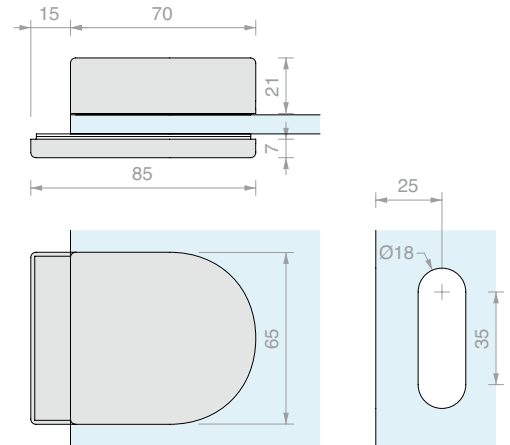




COUNTERLOCK WITH STRIKING PLATE

Material: AISI 304 stainless steel

Finish: /8 /15



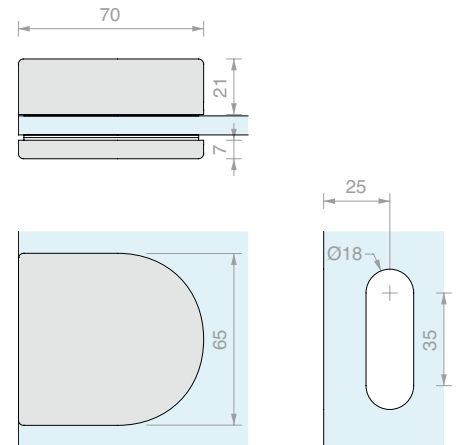
Art.	For glass	Qty
S1211	From 8 to 12 mm	1 Pc



COUNTERLOCK WITHOUT STRIKING PLATE

Material: AISI 304 stainless steel

Finish: /8 /15



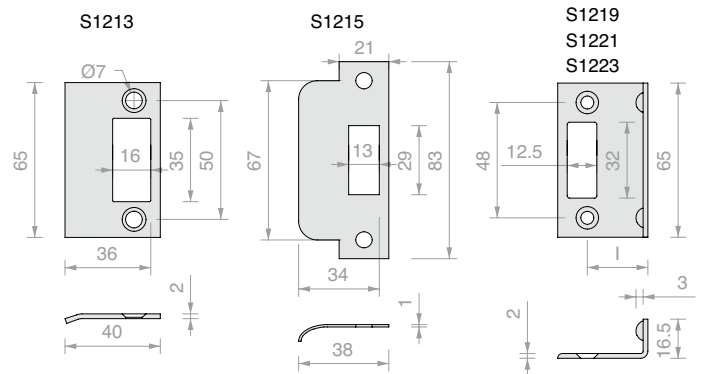
Art.	For glass	Qty
S1209	From 8 to 12 mm	1 Pc



STRIKING PLATE

Material: Stainless steel

Compatible with series S120



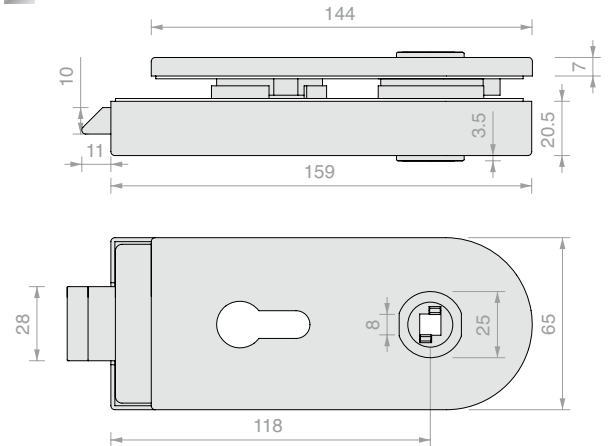
Art.	For glass	l	Qty
S1213	-	-	1 Pc
S1215	-	-	1 Pc
S1219	8 mm	34 mm	1 Pc
S1221	10 mm	36 mm	1 Pc
S1223	12 mm	38 mm	1 Pc



S1600 LOCK BODY FOR JAMBS WITH HOLE FOR EUROPEAN CYLINDER

Material: AISI 304 stainless steel

Finish: /8 /15



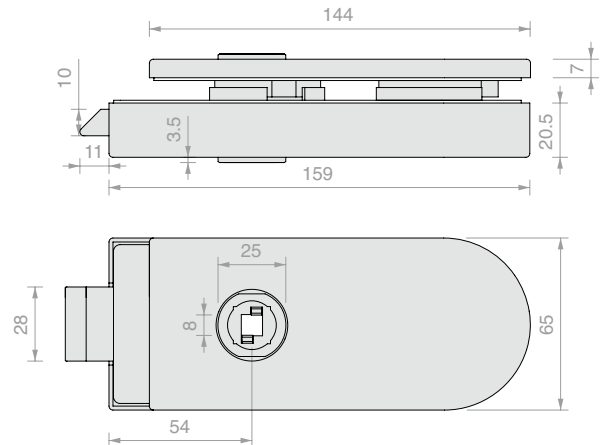
Art.	For glass	Latch	Qty
STL02CORP	From 10 to 12 mm	Mechanical	1 Pc



S1600 LOCK BODY WITHOUT HOLE

Material: AISI 304 stainless steel

Finish: /8 /15



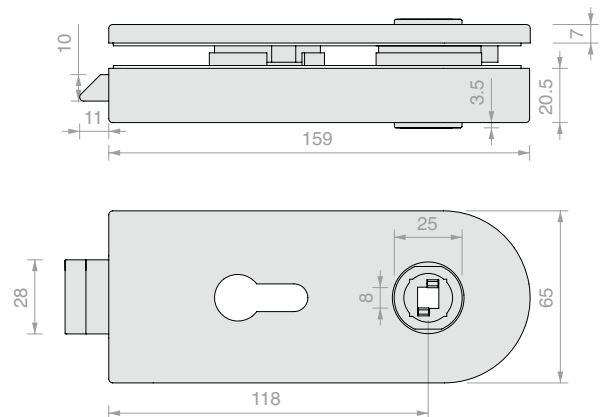
Art.	For glass	Latch	Qty
STL06CORP	From 10 to 12 mm	Mechanical	1 Pc



S1600 LOCK BODY WITH HOLE FOR EUROPEAN CYLINDER

Material: AISI 304 stainless steel

Finish: /8 /15



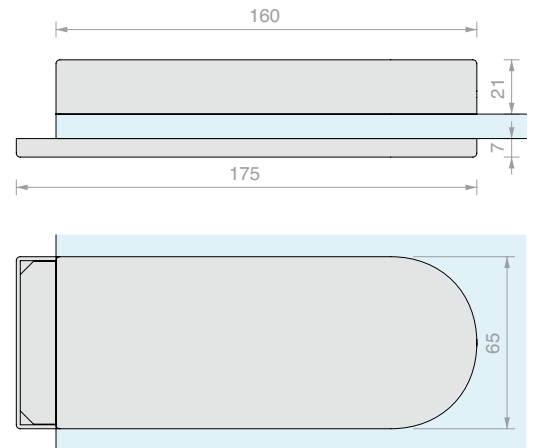
Art.	For glass	Latch	Qty
STL04CORP	From 10 to 12 mm	Mechanical	1 Pc



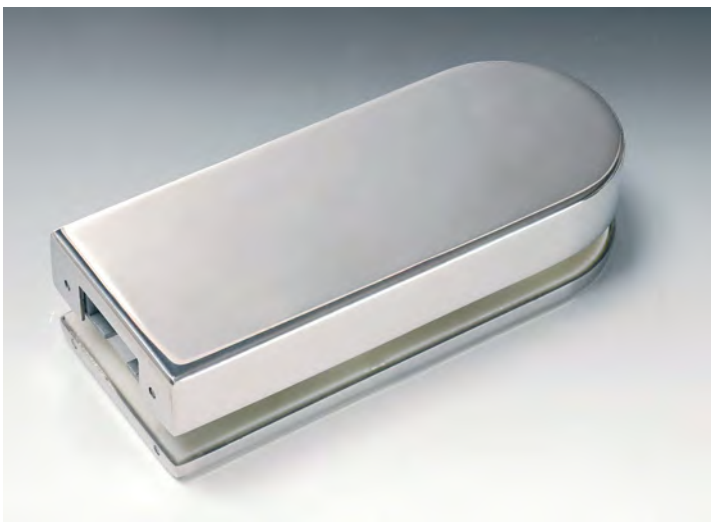
LOCK CASE WITH WITH STOP

Material: AISI 304 stainless steel

Finish: /8 /15



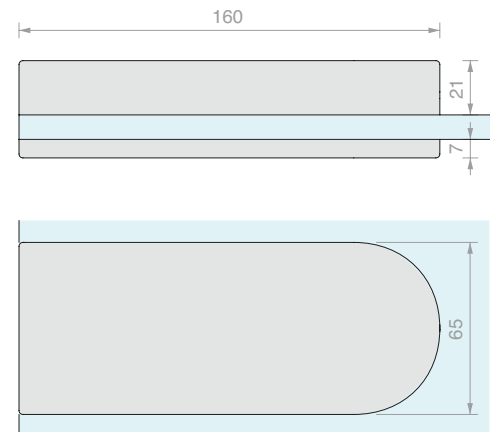
Art.	For glass	Qty
STL05	From 10 to 12 mm	1 Pc



LOCK CASE WITHOUT STRIKE JAMB

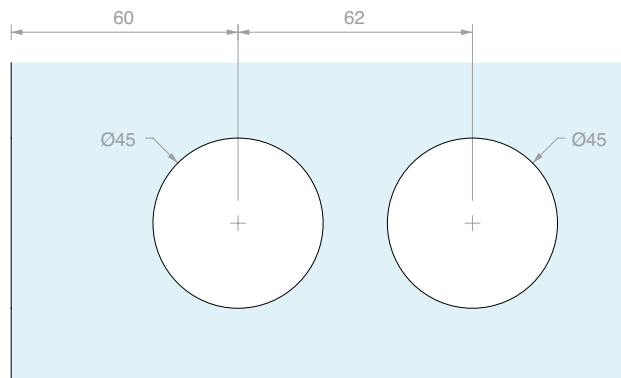
Material: AISI 304 stainless steel

Finish: /8 /15



Art.	For glass	Qty
STL07	From 10 to 12 mm	1 Pc

STL LOCK AND COUNTERLOCK NOTCH

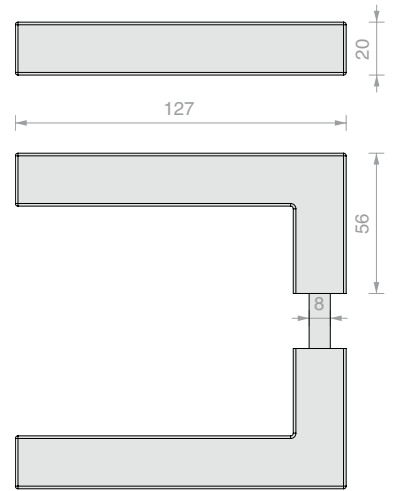




SQUARE HANDLE

Material: AISI 304 stainless steel

Finish: /8 /15



Art.

SR119M

Q.ty

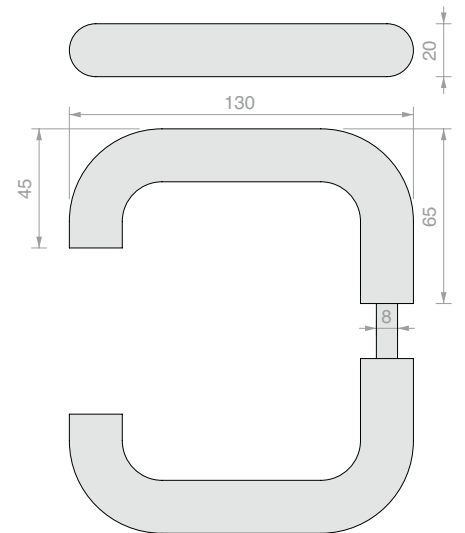
1 Pc



CURVED ROUND HANDLE

Material: AISI 304 stainless steel

Finish: /8 /15

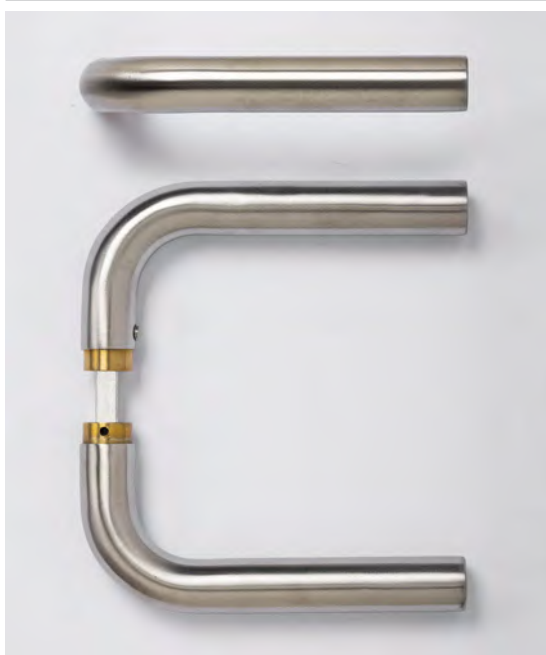


Art.

M107

Q.ty

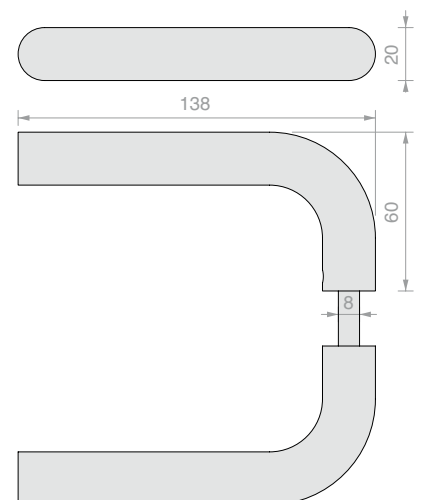
1 Pc



ROUND HANDLE

Material: AISI 304 stainless steel

Finish: /8 /15



Art.

M135

Q.ty

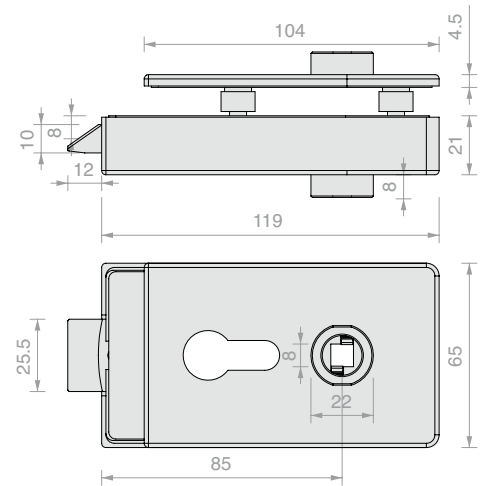
1 Pc



SQUARE MECHANICAL LOCK BODY WITH HOLE FOR EUROPEAN CYLINDER

Material: Aluminium

Finish: /6 /88 /97



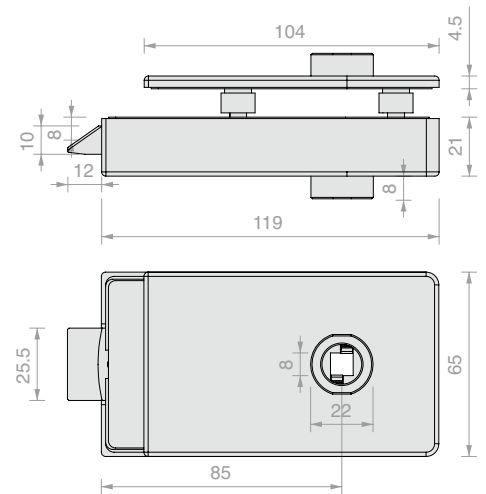
Art.	For glass	Latch	Qty
AP2203BORH	From 8 to 13.5 mm	Mechanical	1 Pc



SQUARE MECHANICAL LOCK BODY WITHOUT HOLE FOR CYLINDER

Material: Aluminium

Finish: /6 /88 /97



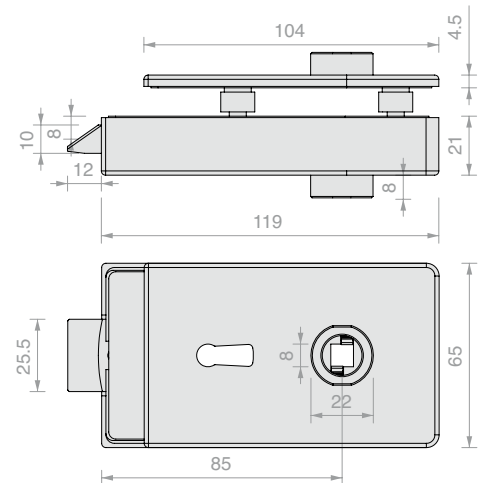
Art.	For glass	Latch	Qty
AP2203BOST	From 8 to 13.5 mm	Mechanical	1 Pc



SQUARE MECHANICAL LOCK BODY WITH PATENT KEY

Material: Aluminium

Finish: /6 /88 /97

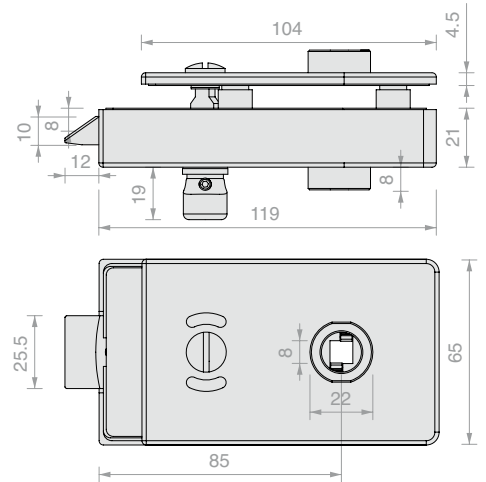


Art.	For glass	Latch	Qty
AP2203BOPA	From 8 to 13.5 mm	Mechanical	1 Pc



SQUARE MECHANICAL LOCK BODY WITH DOOR KNOB AND FREE/OCCUPIED

Material: Aluminium
 Finish: /6 /88 /97

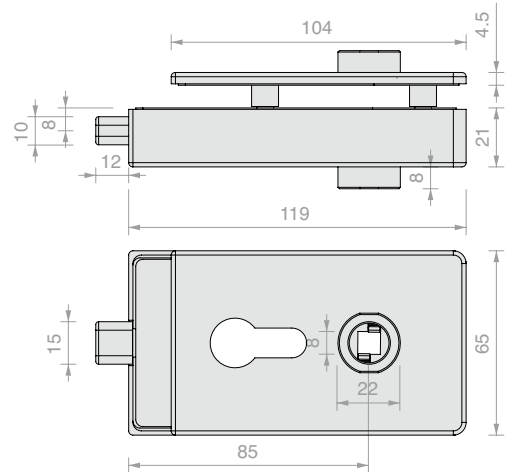


Art.	For glass	Latch	Qty
AP2203BOKS	From 8 to 13.5 mm	Mechanical	1 Pc



SQUARE MAGNETIC LOCK BODY WITH HOLE FOR EUROPEAN CYLINDER

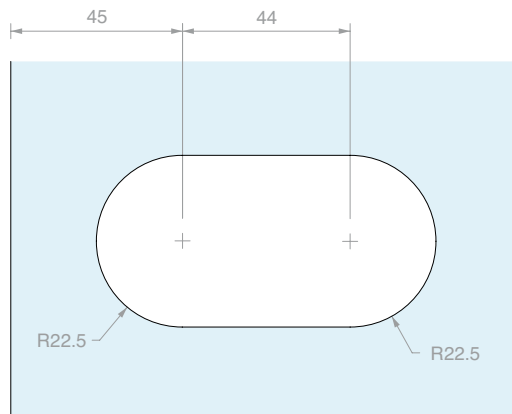
Material: Aluminium
 Finish: /6 /88 /97



Art.	For glass	Latch	Qty
AP2203BOMG	From 8 to 13.5 mm	Magnetic	1 Pc



GLASS NOTCH FOR SERIES APRO2203

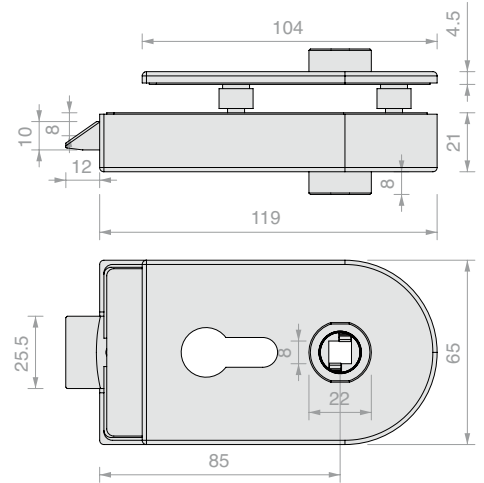




ROUNDED MECHANICAL LOCK BODY WITH HOLE FOR EUROPEAN CYLINDER

Material: Aluminium

Finish: **/6** /88 /97



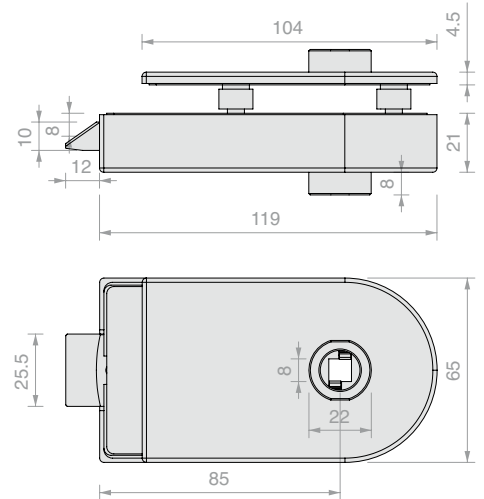
Art.	For glass	Latch	Qty
AP1203BORH	From 8 to 13.5 mm	Mechanical	1 Pc



ROUNDED MECHANICAL LOCK BODY WITHOUT HOLE FOR CYLINDER

Material: Aluminium

Finish: **/6** /88 /97



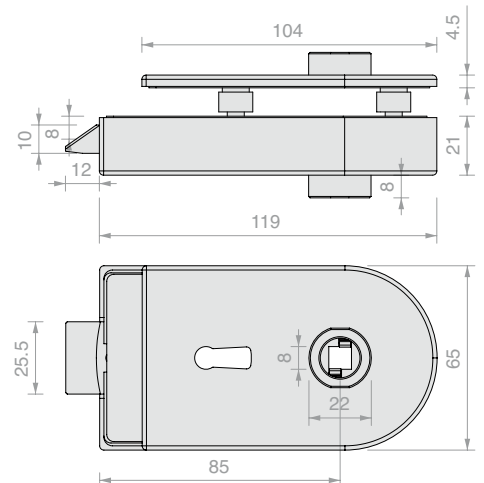
Art.	For glass	Latch	Qty
AP1203BOST	From 8 to 13.5 mm	Mechanical	1 Pc



ROUNDED MECHANICAL LOCK BODY WITH PATENT KEY

Material: Aluminium

Finish: **/6** /88 /97

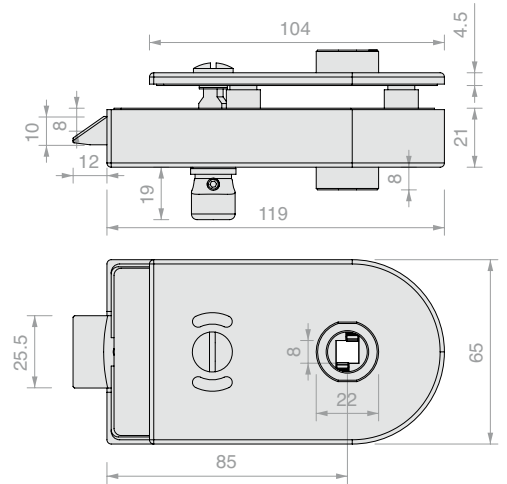


Art.	For glass	Latch	Qty
AP1203BOPA	From 8 to 13.5 mm	Mechanical	1 Pc



ROUNDED MECHANICAL LOCK BODY WITH DOOR KNOB AND FREE/OCCUPIED

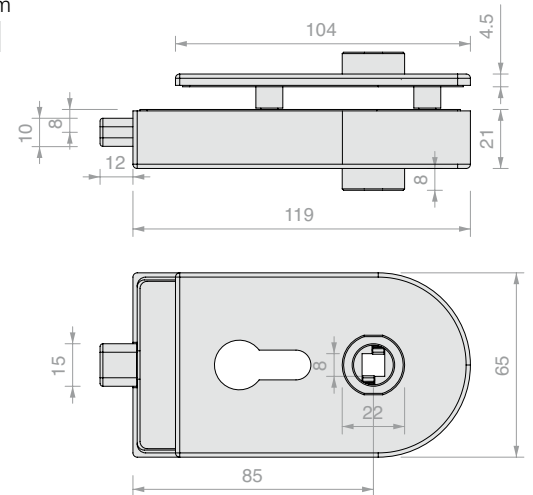
Material: Aluminium
 Finish: /6 /88 /97



Art.	For glass	Latch	Qty
AP1203BOKS	From 8 to 13.5 mm	Mechanical	1 Pc

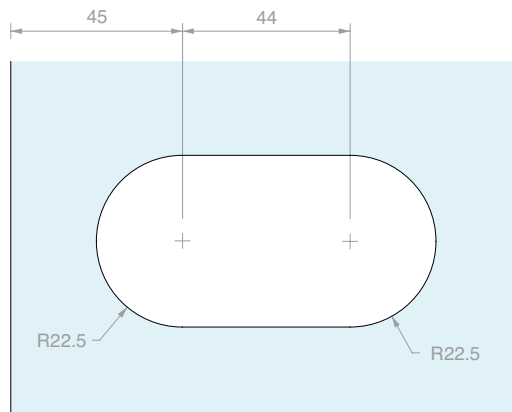
ROUNDED MAGNETIC LOCK BODY WITH HOLE FOR EUROPEAN CYLINDER

Material: Aluminium
 Finish: /6 /88 /97



Art.	For glass	Latch	Qty
AP1203BOMG	From 8 to 13.5 mm	Magnetic	1 Pc

GLASS NOTCH FOR SERIES APRO1203

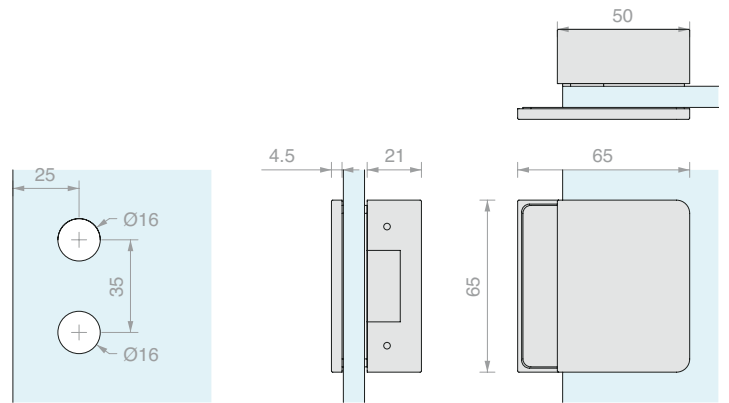




COUNTERLOCK SERIES APRO2203

Material: Aluminium

Finish: /6 /88 /97



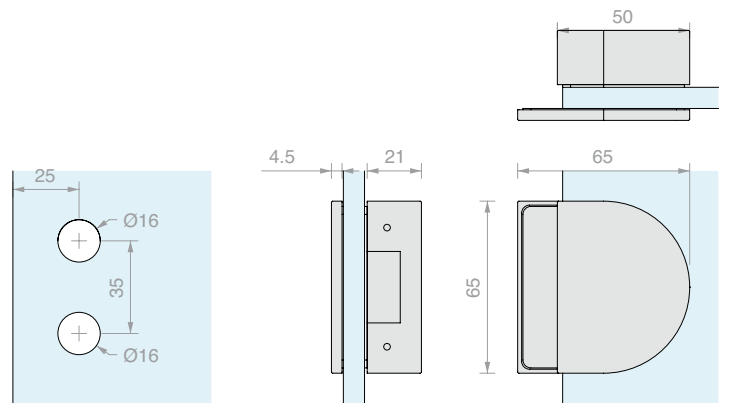
Art.	For glass	Striking plate	Qty
APROIN2203H	From 8 to 12 mm	Mechanical	1 Pc
APROIN2203HM	From 8 to 12 mm	Magnetic	1 Pc



LOCK CASE SERIES APRO1203

Material: Aluminium

Finish: /6 /88 /97

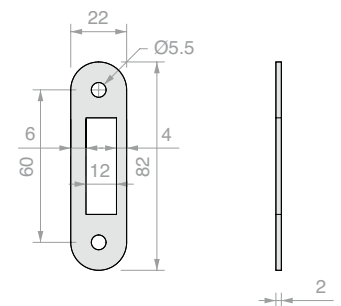


Art.	For glass	Striking plate	Qty
APROIN1203H	From 8 to 12 mm	Mechanical	1 Pc
APROIN1203HM	From 8 to 12 mm	Magnetic	1 Pc



STRIKING PLATE FOR MECHANICAL LATCH

Material: Steel

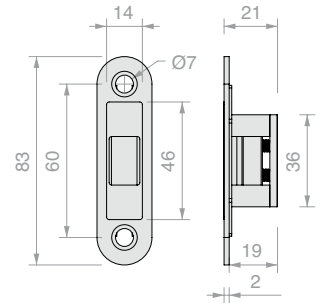


Art.	Qty
SERH17	1 Pc



STRIKING PLATE FOR MAGNETIC LATCH

Material: Steel

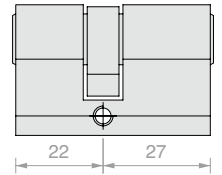


Art.	Qty
APROIN17M	1 Pc



EUROPEAN CYLINDER KEY/KEY

Material: Brass
 European cylinder with 3 keys
 Finish: /95

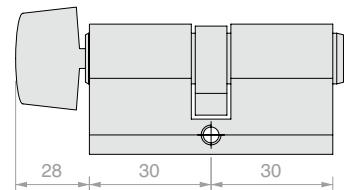


Art.	Key	Qty
CISA2227U	Single	1 Pc
CISA2227D	Different	1 Pc



KEY/ROTATING DOOR KNOB CYLINDER

Material: Brass
 European cylinder with 3 keys
 Finish: /1 /3 /45



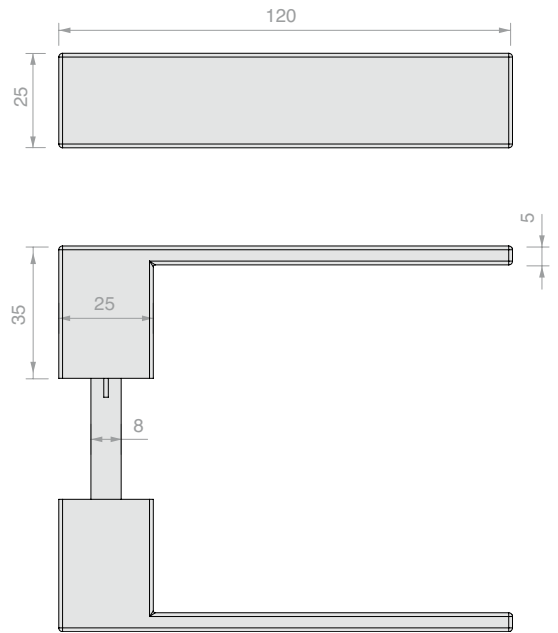
Art.	Key	Qty
S1217U	Single	1 Pc



PAIR OF SQUARE CLOSED HANDLES

Material: Aluminium

Finish: /6 /88 /97



Art.

APHANDSC

Qty

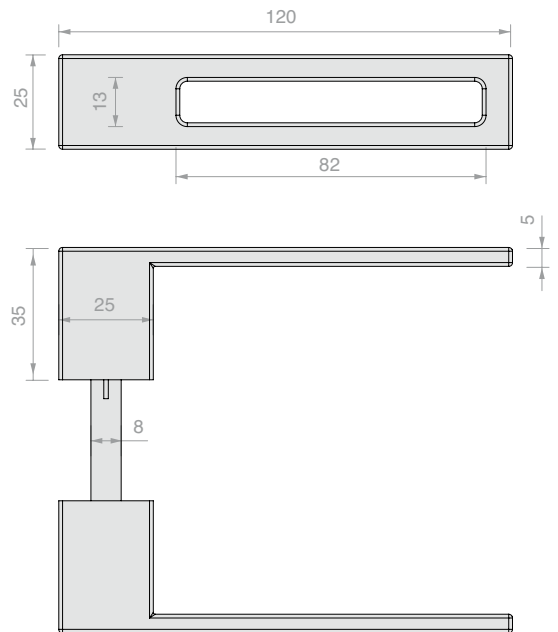
1 Pc



PAIR OF SQUARE OPEN HANDLES

Material: Aluminium

Finish: /6 /88 /97



Art.

APHANDSH

Qty

1 Pc



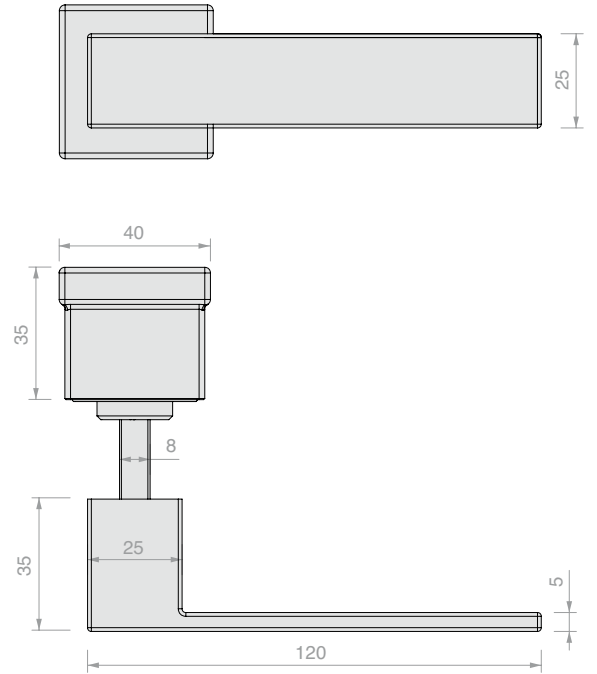
PAIR OF SQUARE CLOSED HANDLES WITH FIXED DOOR KNOB

Material: Aluminium

The door knob side acts only

as a grip

Finish: /6 /88 /97



Art.

APHAFKSC

Qty

1 Pc



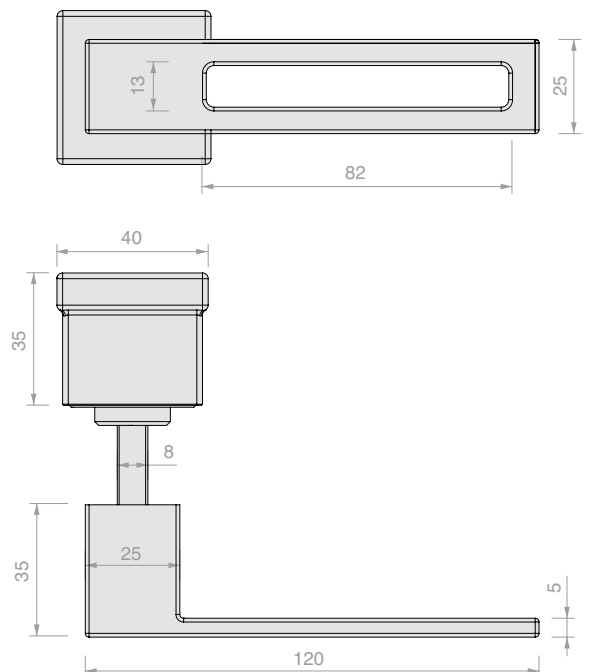
PAIR OF SQUARE OPEN HANDLES WITH FIXED DOOR KNOBS

Material: Aluminium

The door knob side acts only

as a grip

Finish: /6 /88 /97



Art.

APHAFKSH

Qty

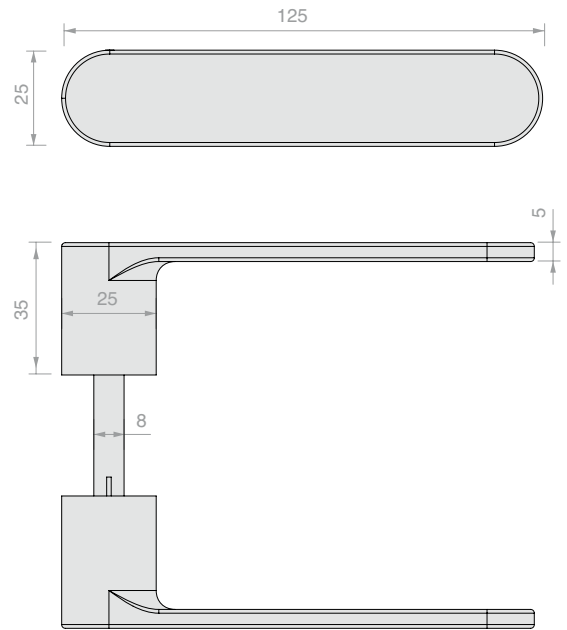
1 Pc



PAIR OF ROUNDED CLOSED HANDLES

Material: Aluminium

Finish: /6 /88 /97



Art.

APHANDRC

Qty

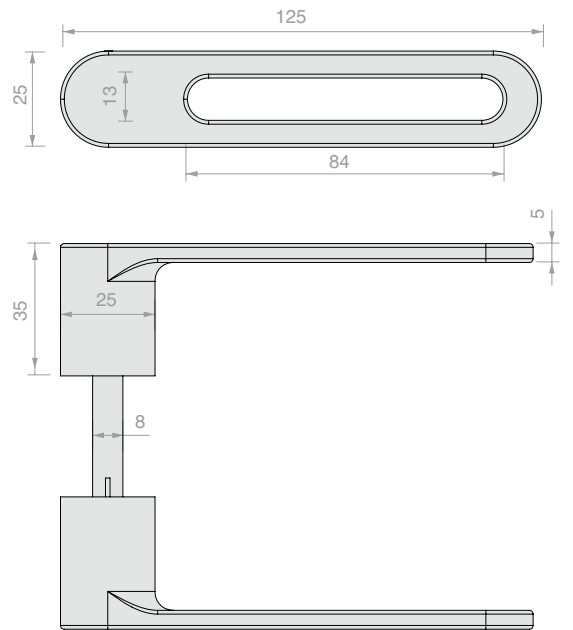
1 Pc



PAIR OF ROUNDED OPEN HANDLES

Material: Aluminium

Finish: /6 /88 /97



Art.

APHANDRH

Qty

1 Pc

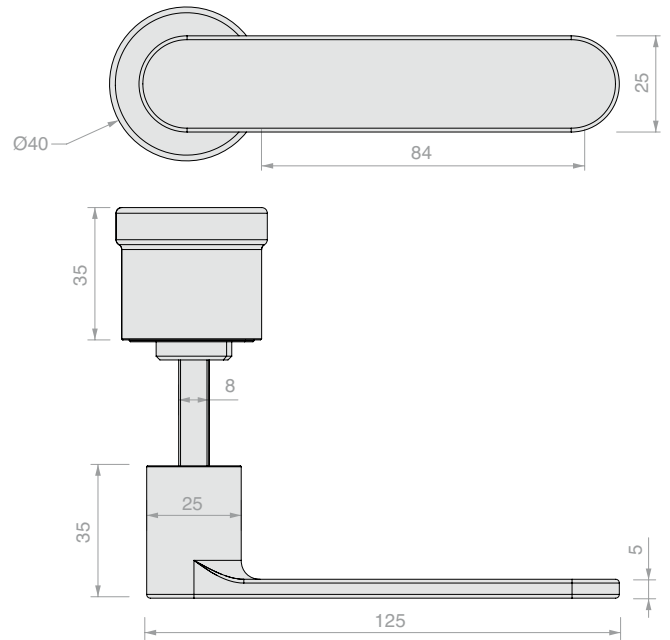


PAIR OF ROUNDED CLOSED HANDLES WITH FIXED DOOR KNOB

Material: Aluminium

The door knob side acts only as a grip

Finish: /6 /88 /97



Art.

APHAFKRC

Qty

1 Pc

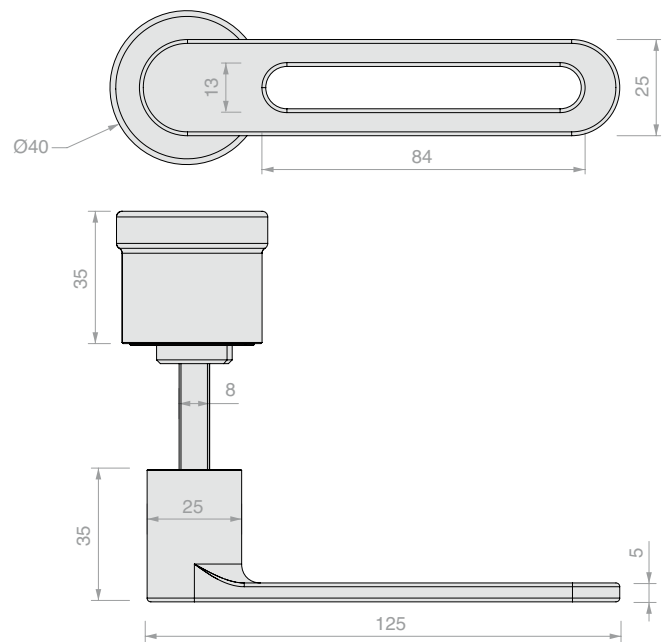


PAIR OF ROUNDED OPEN HANDLES WITH FIXED DOOR KNOB

Material: Aluminium

The door knob side acts only as a grip

Finish: /6 /88 /97



Art.

APHAFKRH

Qty

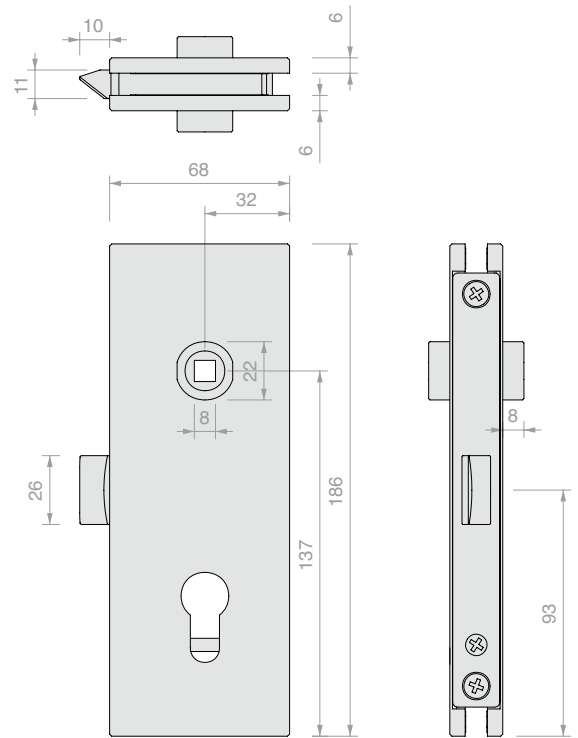
1 Pc



**APRO SERIES 40 CENTRAL LOCK BODY,
WITH HOLE FOR EUROPEAN CYLINDER**

Material: Aluminium

Finish: /88 /97 /R2



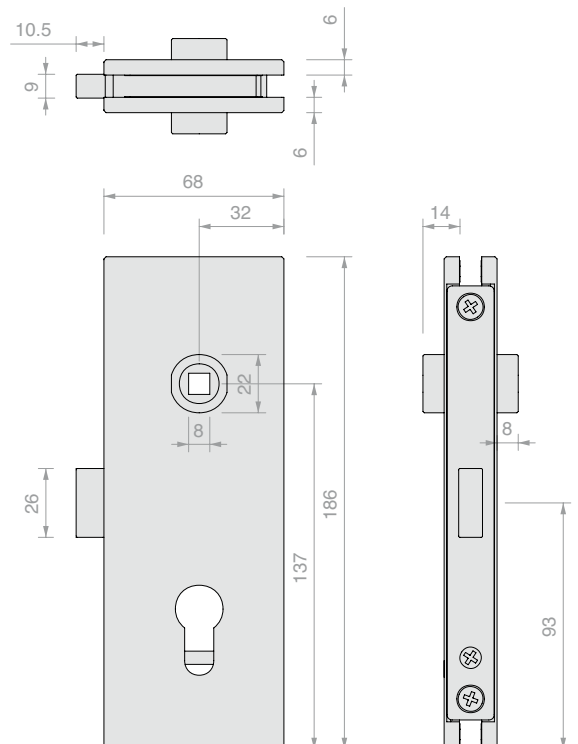
Art.	For glass	Latch	Qty
APRO4403BORH	From 8 to 13.5 mm	Mechanical	1 Pc



**APRO SERIES 40 CENTRAL LOCK BODY,
WITH HOLE FOR EUROPEAN CYLINDER**

Material: Aluminium

Finish: /88 /97 /R2



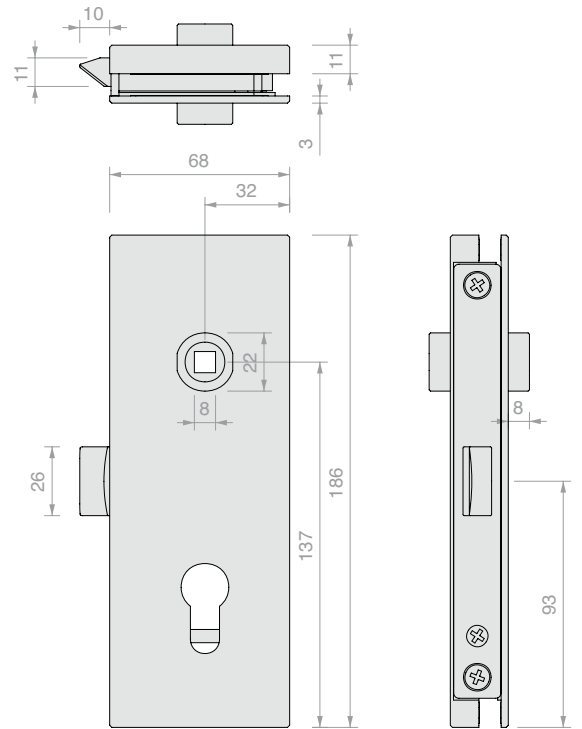
Art.	For glass	Latch	Qty
APRO4406BORH	From 8 to 13.5 mm	Magnetic	1 Pc



**APRO SERIES 40 LEFT LOCK BODY,
WITH HOLE FOR EUROPEAN CYLINDER**

Material: Aluminium

Finish: /88 /97 /R2



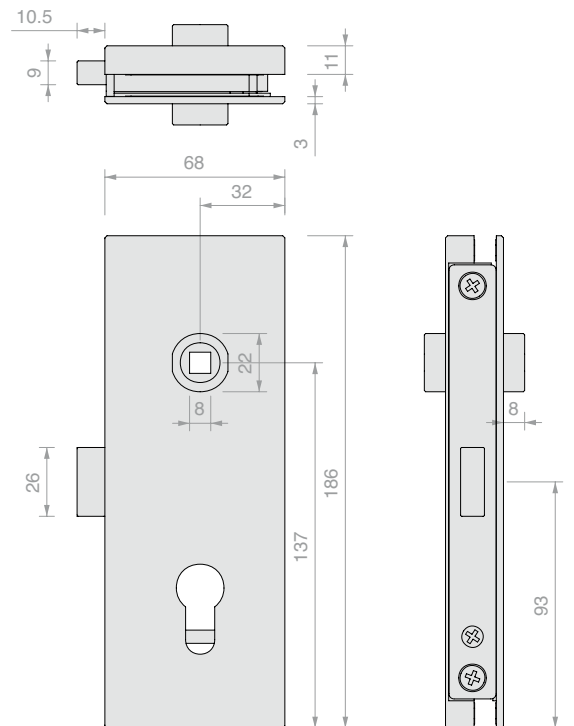
Art.	For glass	Latch	Qty
APRO4503BORH	From 8 to 13.5 mm	Mechanical	1 Pc



**APRO SERIES 40 LEFT LOCK BODY,
WITH HOLE FOR EUROPEAN CYLINDER**

Material: Aluminium

Finish: /88 /97 /R2



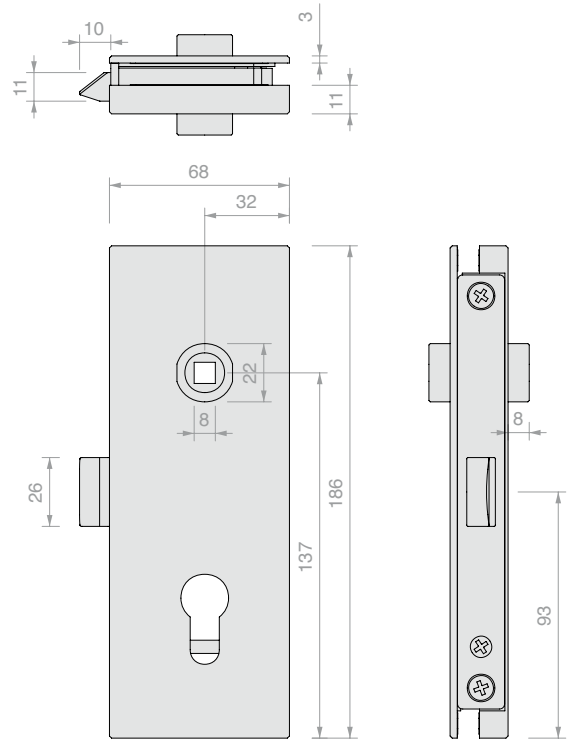
Art.	For glass	Latch	Qty
APRO4506BORH	From 8 to 13.5 mm	Magnetic	1 Pc



**APRO SERIES 40 RIGHT LOCK BODY,
WITH HOLE FOR EUROPEAN CYLINDER**

Material: Aluminium

Finish: /88 /97 /R2



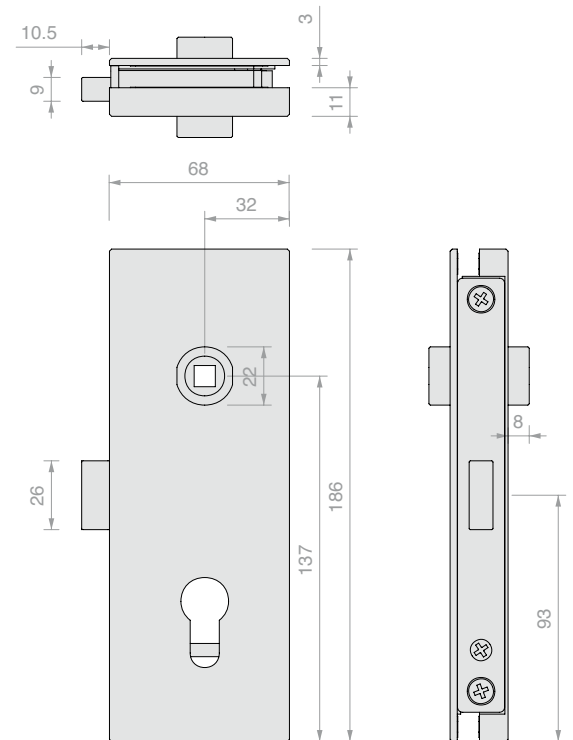
Art.	For glass	Latch	Qty
APRO4603BORH	From 8 to 13.5 mm	Mechanical	1 Pc



**APRO SERIES 40 RIGHT LOCK BODY,
WITH HOLE FOR EUROPEAN CYLINDER**

Material: Aluminium

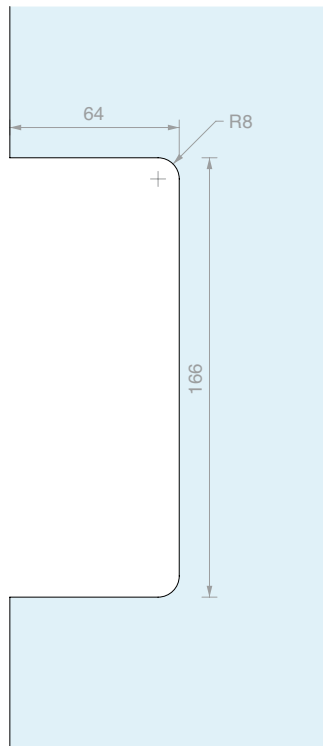
Finish: /88 /97 /R2



Art.	For glass	Latch	Qty
APRO4606BORH	From 8 to 13.5 mm	Magnetic	1 Pc



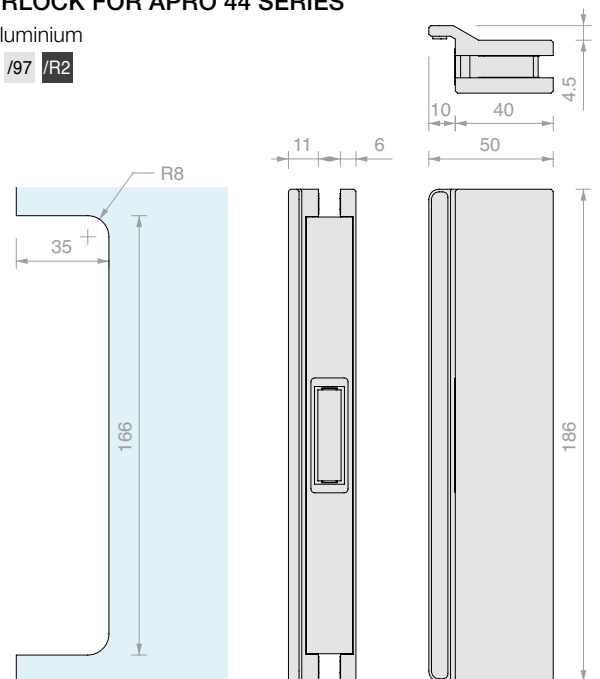
APRO VERTICAL MODEL LOCK NOTCH



COUNTERLOCK FOR APRO 44 SERIES

Material: Aluminium

Finish: /88 /97 /R2



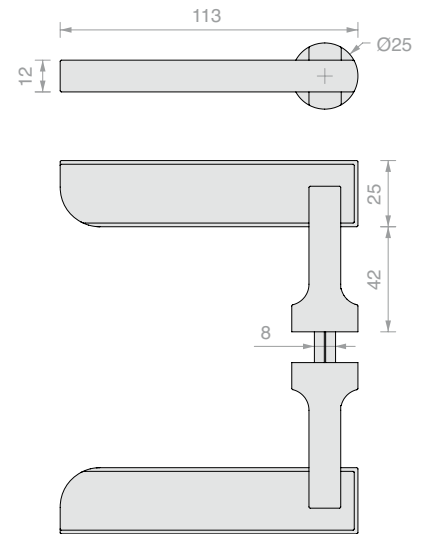
Art.	For glass	Striking plate	Qty
APRO1008	8 mm	Mechanical	1 Pc
APRO1010	10 mm	Mechanical	1 Pc
APRO1012	12 mm	Mechanical	1 Pc
APRO1013	13.5 mm	Mechanical	1 Pc
APRO4008	8 mm	Magnetic	1 Pc
APRO4010	10 mm	Magnetic	1 Pc
APRO4012	12 mm	Magnetic	1 Pc
APRO4013	13.5 mm	Magnetic	1 Pc



HANDLE FOR APRO SERIES 40

Material: Aluminium

Finish: /88 /97 /R2



Art.

APHANDTC

Q.ty

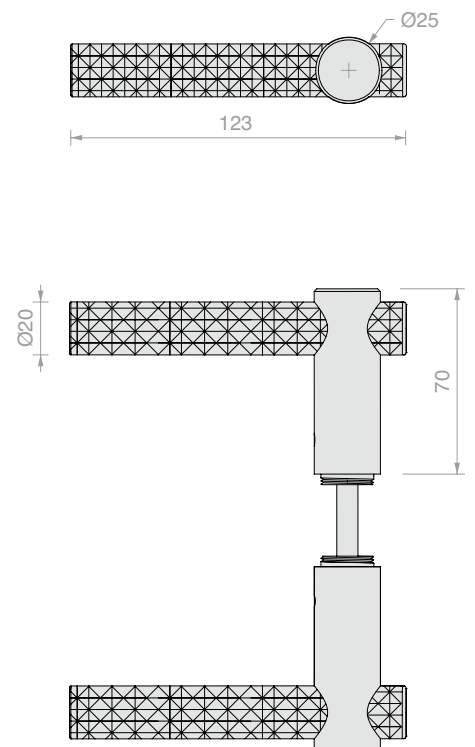
1 Pc



HANDLE FOR APRO SERIES 40 KNURLED

Material: Aluminium

Finish: /88 /97 /R2



Art.

APHANDGD

Q.ty

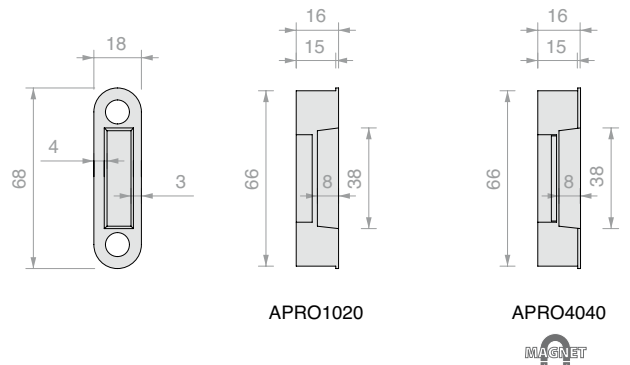
1 Pc



APRO STRIKING PLATE

Material: Aluminium

Finish: /7 /R2



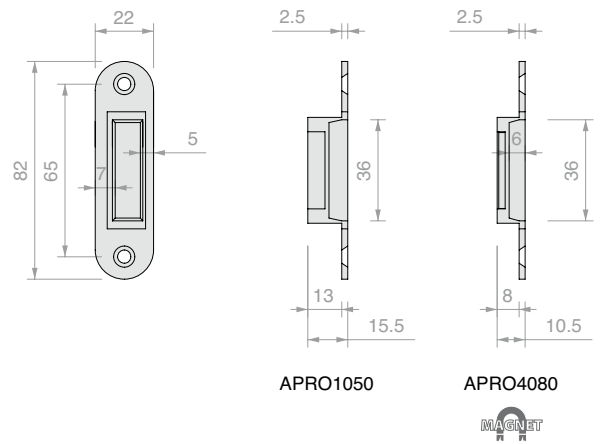
Art.	Striking plate	Qty
APRO1020	Mechanical	1 Pc
APRO4040	Magnetic	1 Pc



ADJUSTABLE APRO STRIKING PLATE

Material: Aluminium

Finish: /7



Art.	Striking plate	Qty
APRO1050	Mechanical	1 Pc
APRO4080	Magnetic	1 Pc

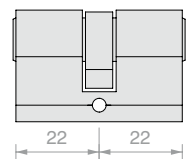


CYLINDER WITH EUROPEAN PROFILE KEY

Material: Brass

European cylinder with 3 keys

Finish: /1 /3

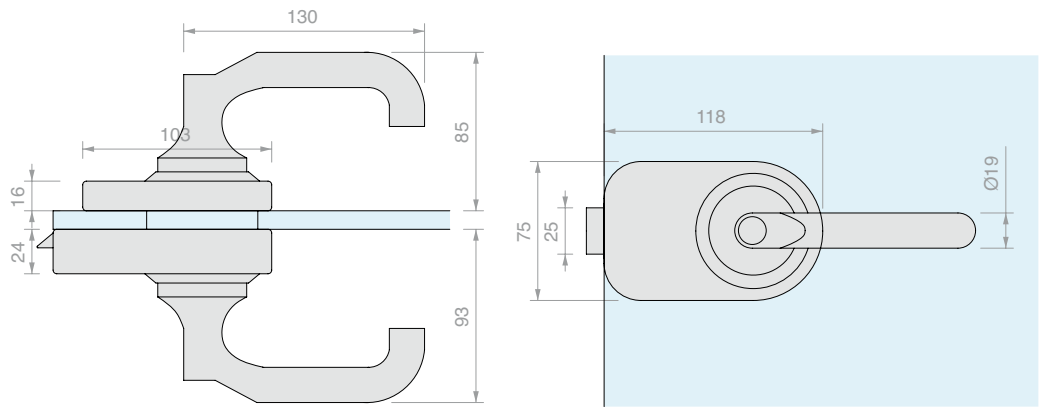


Art.	Key	Qty
LOGS10U	Single	1 Pc
LOGS10D	Different	1 Pc



HOPPE HCS LOCK

Material: Aluminium
Mechanical latch
Finish: /97

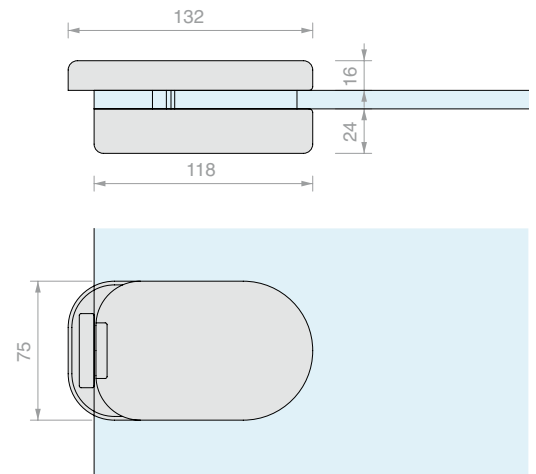


Art.	For glass	Lock	Key	Qty
SERH01	From 8 to 13.5 mm	Lock + lock	Different	1 Pc
SERH03	From 8 to 13.5 mm	Lock + Coin opening	Different	1 Pc
SERH05	From 8 to 13.5 mm	Lock + Free/Occupied indicator	Different	1 Pc
SERH07	From 8 to 13.5 mm	Lock + Door Knob	Different	1 Pc
SERH09	From 8 to 13.5 mm	Door knob + Coin opening	-	1 Pc
SERH11	From 8 to 13.5 mm	Door knob + Free/Occupied indicator	-	1 Pc



HOPPE HCS COUNTERLOCK

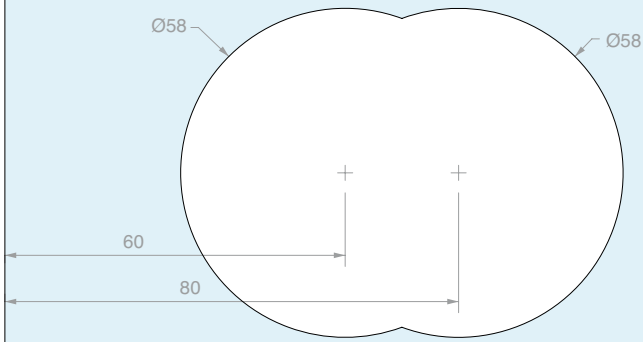
Material: Aluminium
Finish: /97















Art.	For glass	Qty
SERH13	From 8 to 13.5 mm	1 Pc



GLASS NOTCH FOR HCS LOCK AND COUNTERLOCK

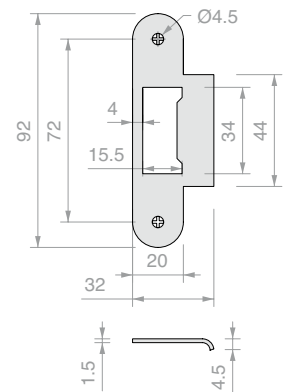


TYPES OF HOPPE HCS LOCK

SERH01	+	+
		
Lock		Lock
SERH03	+	+
		
Lock		Coin opening
SERH07	+	+
		
Lock		Door knob
SERH05	+	+
		
Lock		Free/Occupied indicator
SERH09	+	+
		
Door knob		Coin opening
SERH11	+	+
		
Door knob		Free/Occupied indicator

COUNTERPLATE

Material: Steel



Art.

SERH15

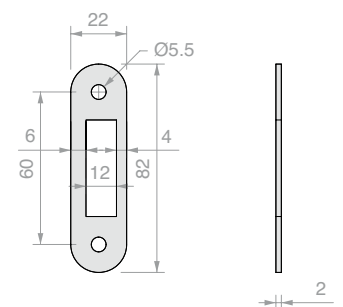
Q.ty

1 Pc



COUNTERPLATE FOR MECHANICAL LATCH

Material: Steel



Art.

SERH17

Q.ty

1 Pc

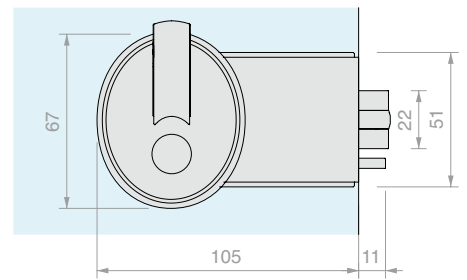
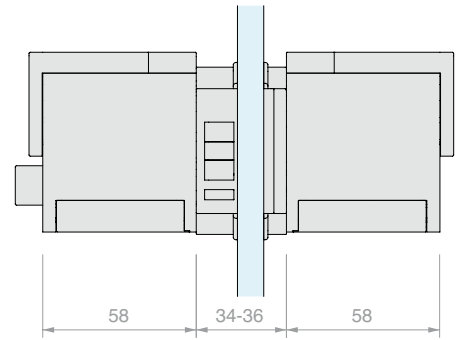


FORMA LOCKS

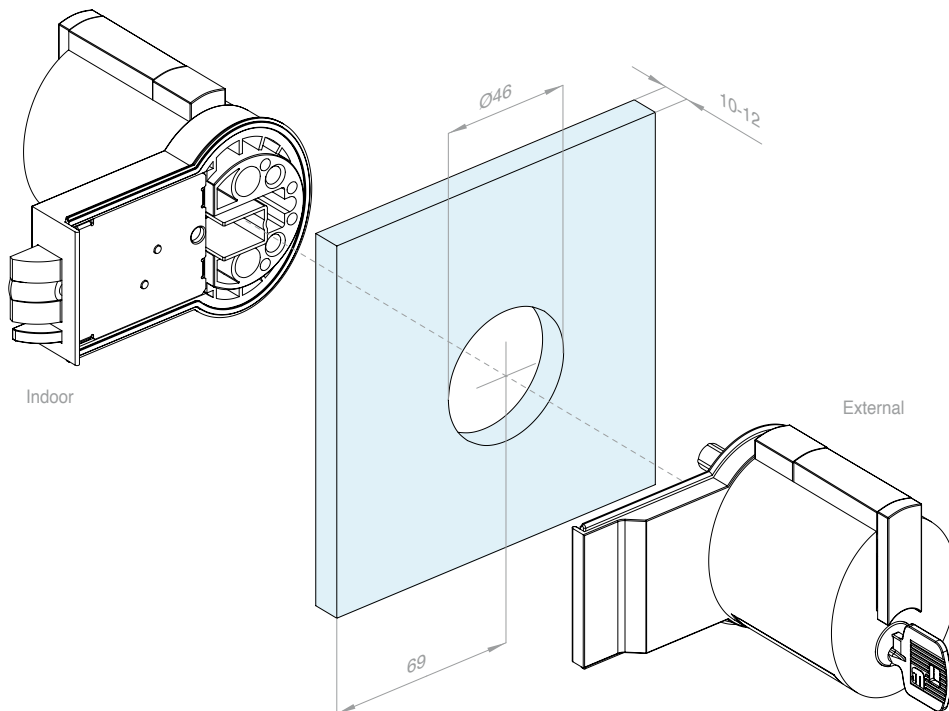
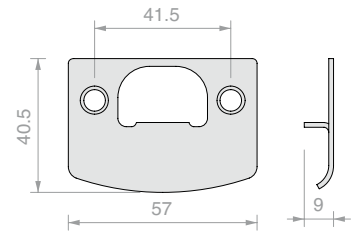
Material: Aluminium

Supplied with two keys

Finish: /91 /97



INCLUDES:



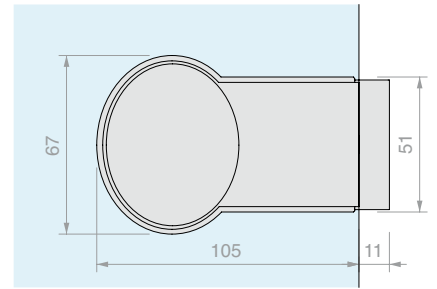
Art.	For glass	Lock	Key	Qty
SERMF15	From 10 to 12 mm	Lock + lock	Single	1 Pc
SERMF13	From 10 to 12 mm	Lock + Emergency device	Single	1 Pc



COUNTERLOCK

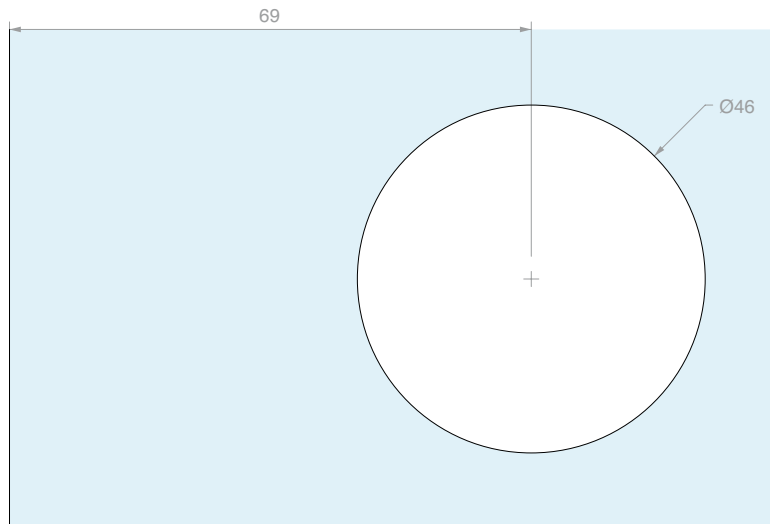
Material: Aluminium

Finish: /97



Art.	For glass	Qty
SERMFGL1	From 10 to 12 mm	1 Pc

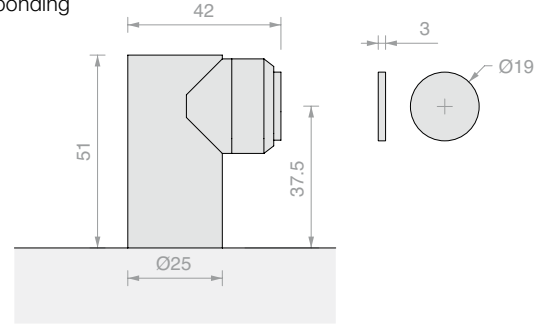
GLASS NOTCH FOR FORMA LOCK AND COUNTERLOCK





FLOOR-MOUNTED DOOR STOP WITH MAGNET

Material: AISI 304 stainless steel
With stainless steel disc to be fitted by UV bonding
Finish: /8

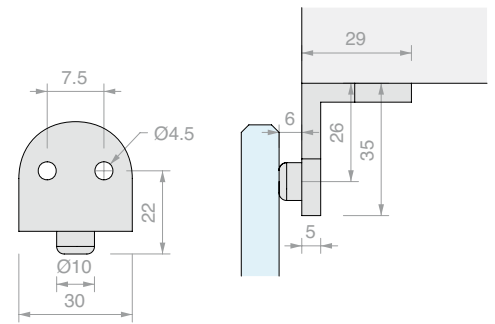


Art. **FPT01** Q.ty 1 Pc



SINGLE CEILING DOOR STOP

Material: AISI 304 stainless steel
Finish: /8

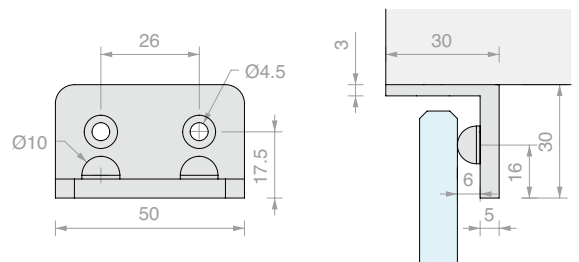


Art. **FPT03** Q.ty 1 Pc



DOUBLE CEILING DOOR STOP

Material: AISI 304 stainless steel
Finish: /8

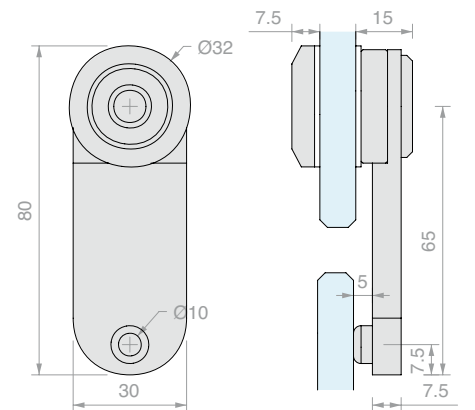


Art. **FPT21** Q.ty 1 Pc



DOOR STOP WITH GLASS FIXING

Material: AISI 304 stainless steel
Recommended glass hole size Ø22 mm
Finish: /8



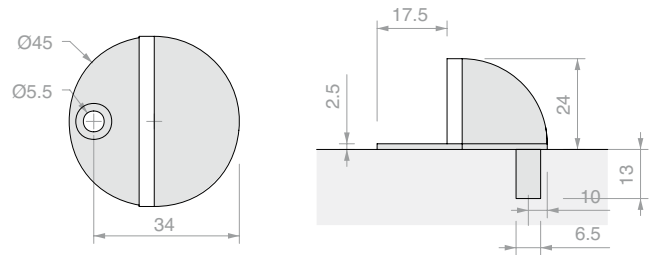
Art. **FPT07** For glass From 10 to 12 mm Q.ty 1 Pc



FLOOR DOOR STOP WITH RUBBER

Material: AISI 304 stainless steel

Finish: /8 /15



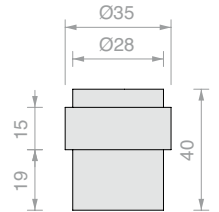
Art.	Q.ty
FPT09	1 Pc



FLOOR DOOR STOP WITH RUBBER RING

Material: AISI 304 stainless steel

Finish: /8 /15



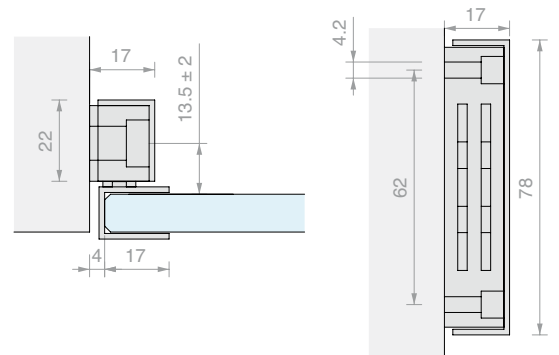
Art.	Q.ty
FPT11	1 Pc



DOOR STOP WITH MAGNET

Material: Iron

Finish: /1 /2 /3



Art.	Description	For glass	Qty
CAL005	Magnet with cover	-	1 Pc
CAL006	Counterplate	8 mm	1 Pc
CAL007	Counterplate	10 mm	1 Pc

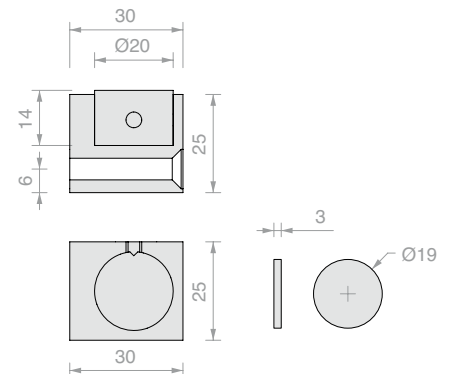


MAGNET WITH WALL FIXING

Material: AISI 304 stainless steel

With stainless steel disc to be fitted by UV bonding

Finish: /9



Art.	Q.ty
CALMU30	1 Pc



GLASS LIP ADHESIVE GASKET

APPLICATIONS: Closing gaps around the edge to ensure a seal that protects against water, wind, dust, insects, noise and changes in temperature.

Description: GLASS LIP is an adhesive edge gasket for glass doors and partition walls which is quick and easy to install, applied using the mounting template Art. GSL812 which helps to position the gasket in the centre of the glass along the whole length of the edge. It comprises a lip gasket which is quick to install with the incorporated transparent high adhesion two-sided tape. The special structure of the soft lips, with tear-off strips to shorten them, can be used to seal gaps from 2.5 to 7 mm.

Properties:

GLASS LIP can be used on glass thicknesses between 8 mm and 13.52 mm

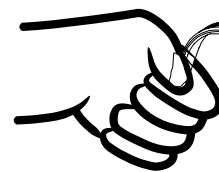
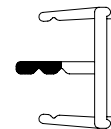
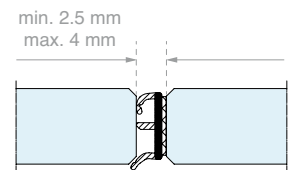
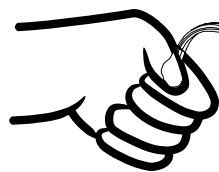
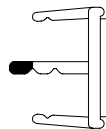
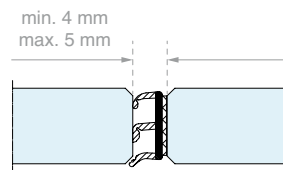
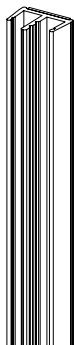
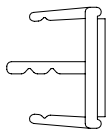
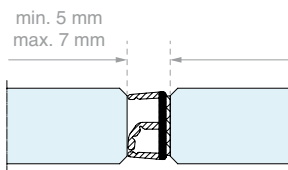
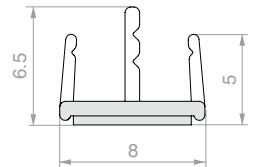
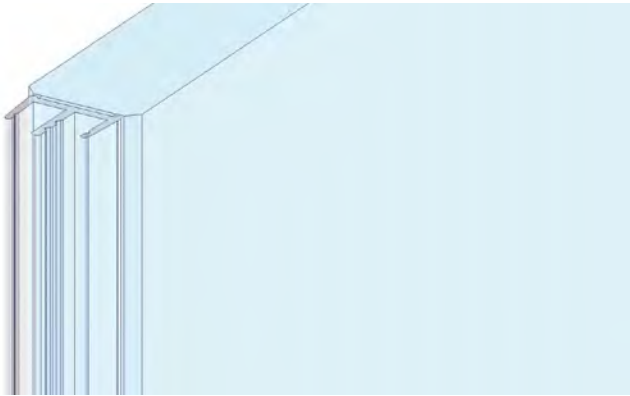
APPLICATION: All glass doors.

FIXING TYPE: With transparent high adhesion VHB two-sided tape for -40°C to +150°C

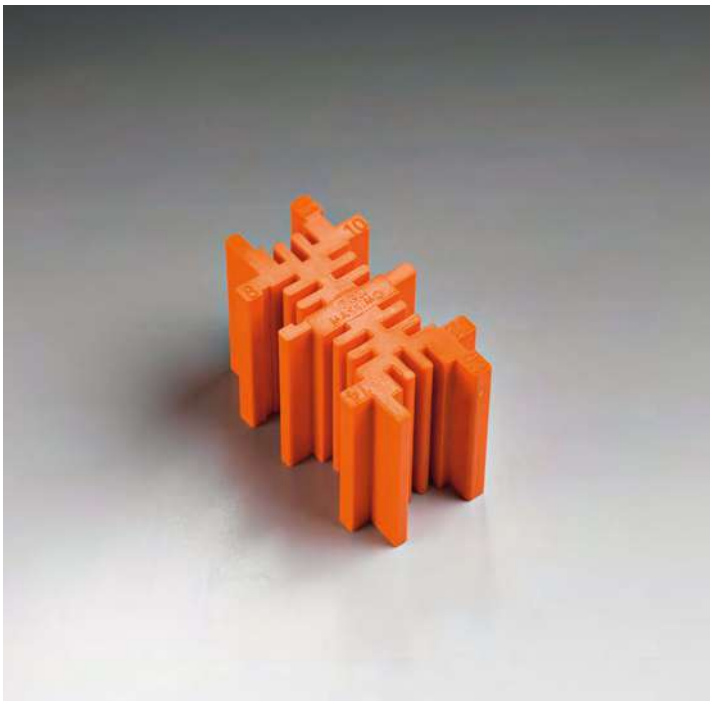
GASKETS: Lip gasket made from coextruded thermoplastic, adjustable (patented system).

FINISH: Embossed

PATENTED SYSTEM

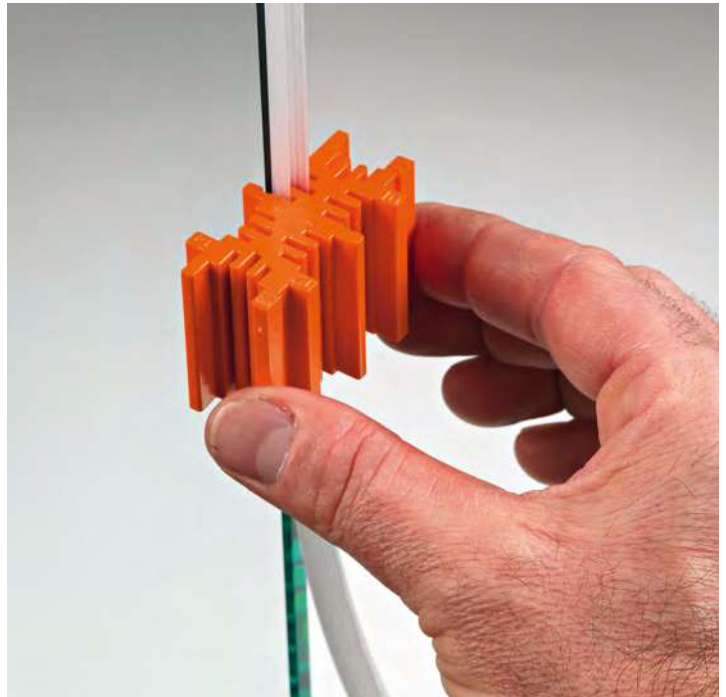
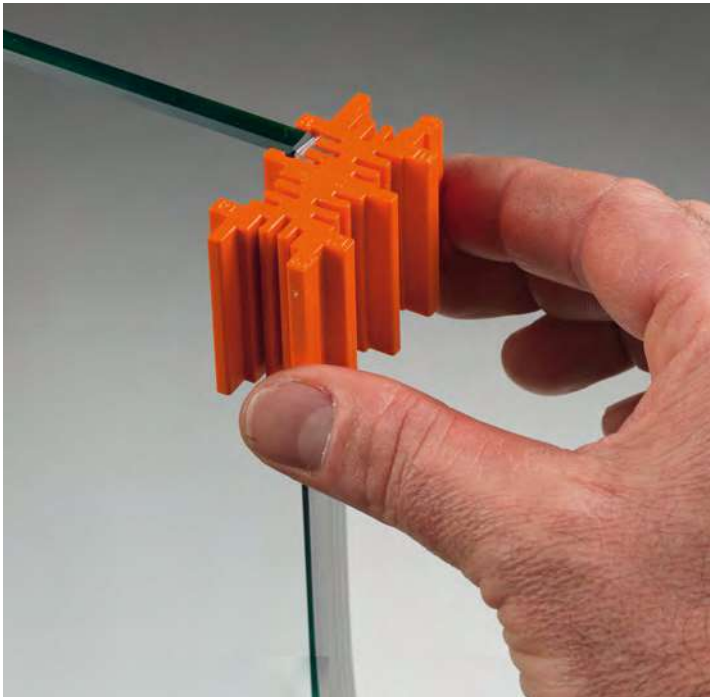
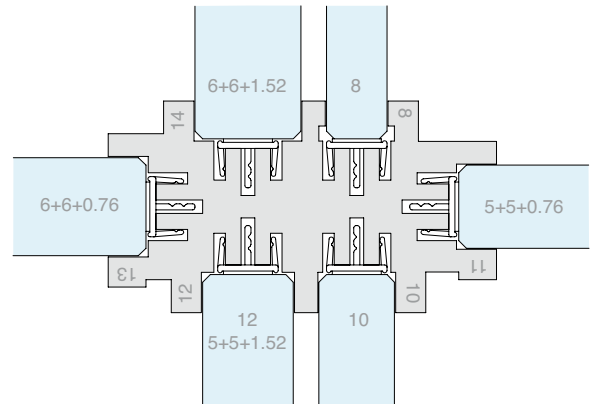


Art.	For glass	Length	Qty
GSL3000	From 8 to 13.5 mm	3000 mm	1 Pc



MOUNTING TEMPLATE GSL3000

Plastic mounting template for positioning the centre of the gasket in the centre of the glass along the whole length.
For use with Art. GSL3000



Art.	For glass	Qty
GSL812	From 8 to 13.5 mm	1 Pc



DEGREASING WIPE

Properties: Disposable wipe impregnated with isopropyl alcohol

Art.	Qty
GSLSVL	1 Pc



**LOWER PROFILE WITH GASKET
GLASS 100 AUTOMATIC**

Application: Closing gaps on the floor to ensure a seal that protects against water, wind, dust, insects, noise and changes in temperature.

Description: Automatic under door gasket with tilting friction movement (the gasket lowers first on the hinge side and then on the handle side).

Mechanism can be removed on the hinge side after fixing.
Travel 14 mm.

Galvanised steel spring and 20% fibreglass PA thrust bearing.
Aluminium alloy 6060 T6 profiles. Finishing cap included.

Properties: The mechanism can be removed from both the hinge and handle side, exclusive system (patented).

Option for replacement parts.

FIXING TYPE:

With transparent high adhesion VHB two-sided tape for -40°C to +150°C

Finish: /97 /R2

SYSTEM FOR INTERIORS
One kit allows for either closing direction

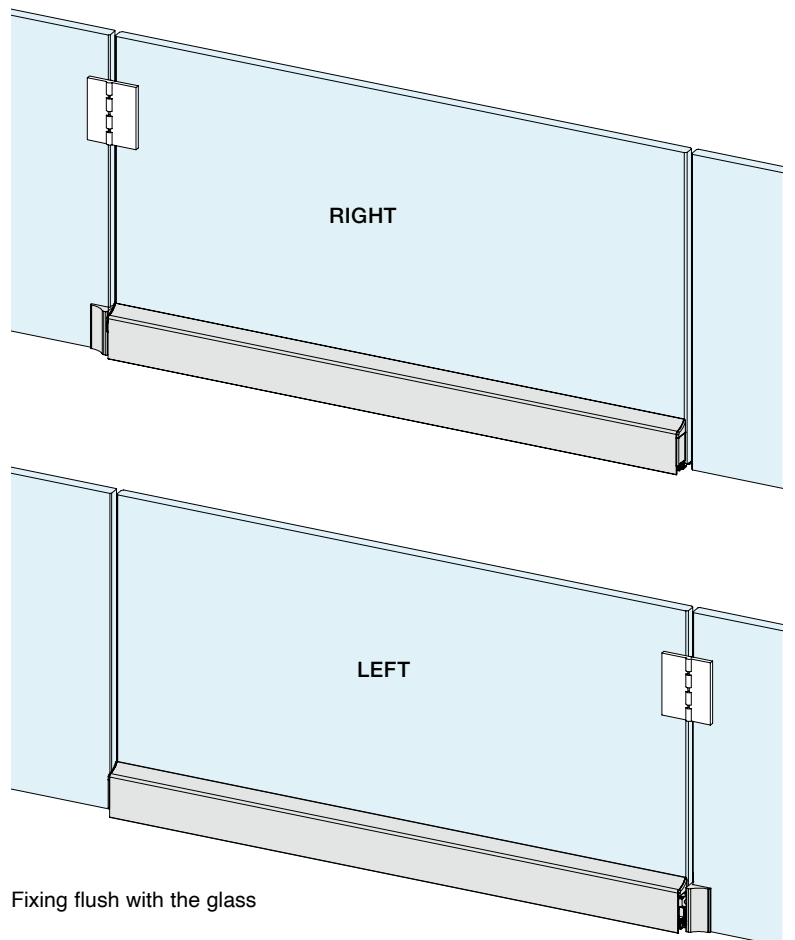
Tested for 200,000 closings.

ANODISED COATING 8/15 MICRON

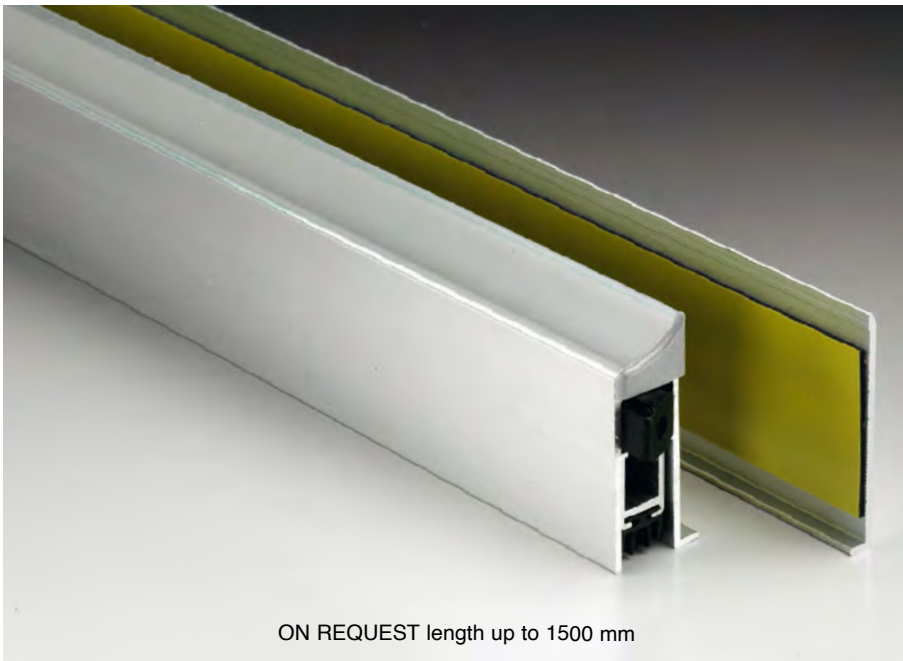
PATENTED SYSTEM

HANDLING AND CLEANING:

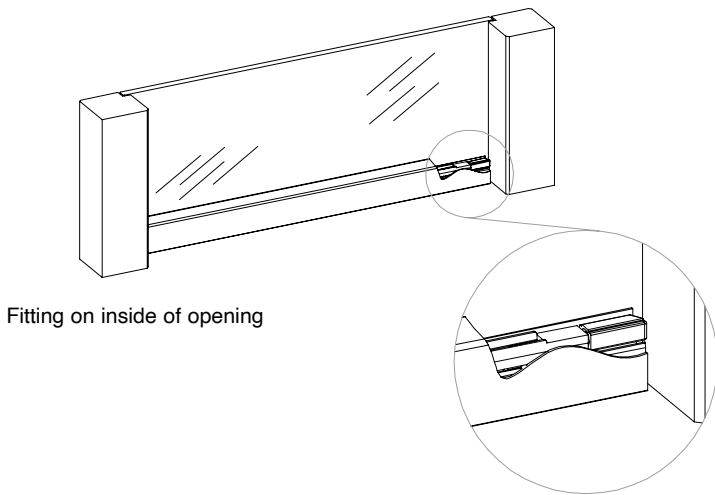
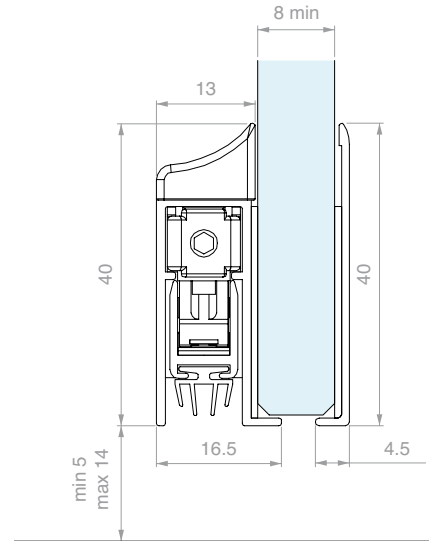
Wash with warm water and neutral detergent; use a soft cloth or a non-abrasive sponge.
Rinse thoroughly with clean water. Dry with a soft cloth.



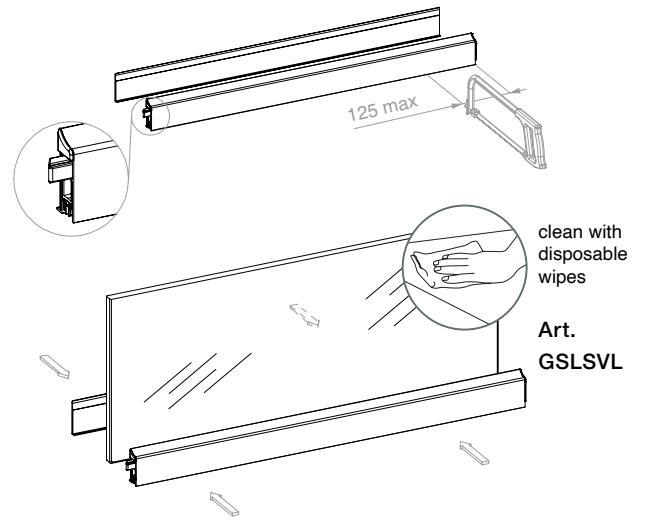
Fixing flush with the glass



ON REQUEST length up to 1500 mm



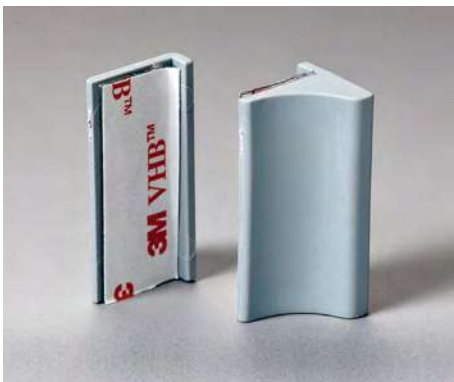
Fitting on inside of opening



clean with disposable wipes

Art. GSLSVL

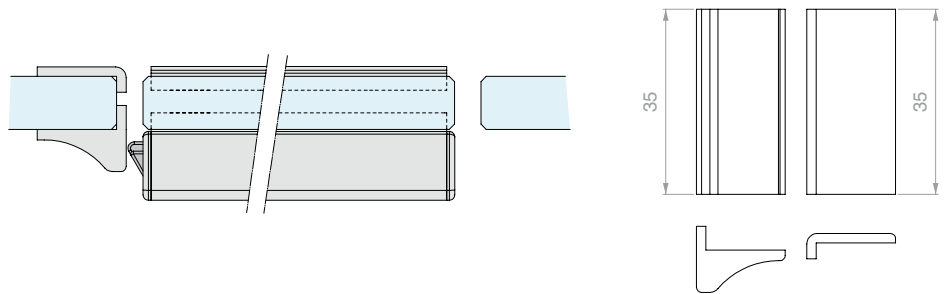
Fixed using high strength two-sided tape



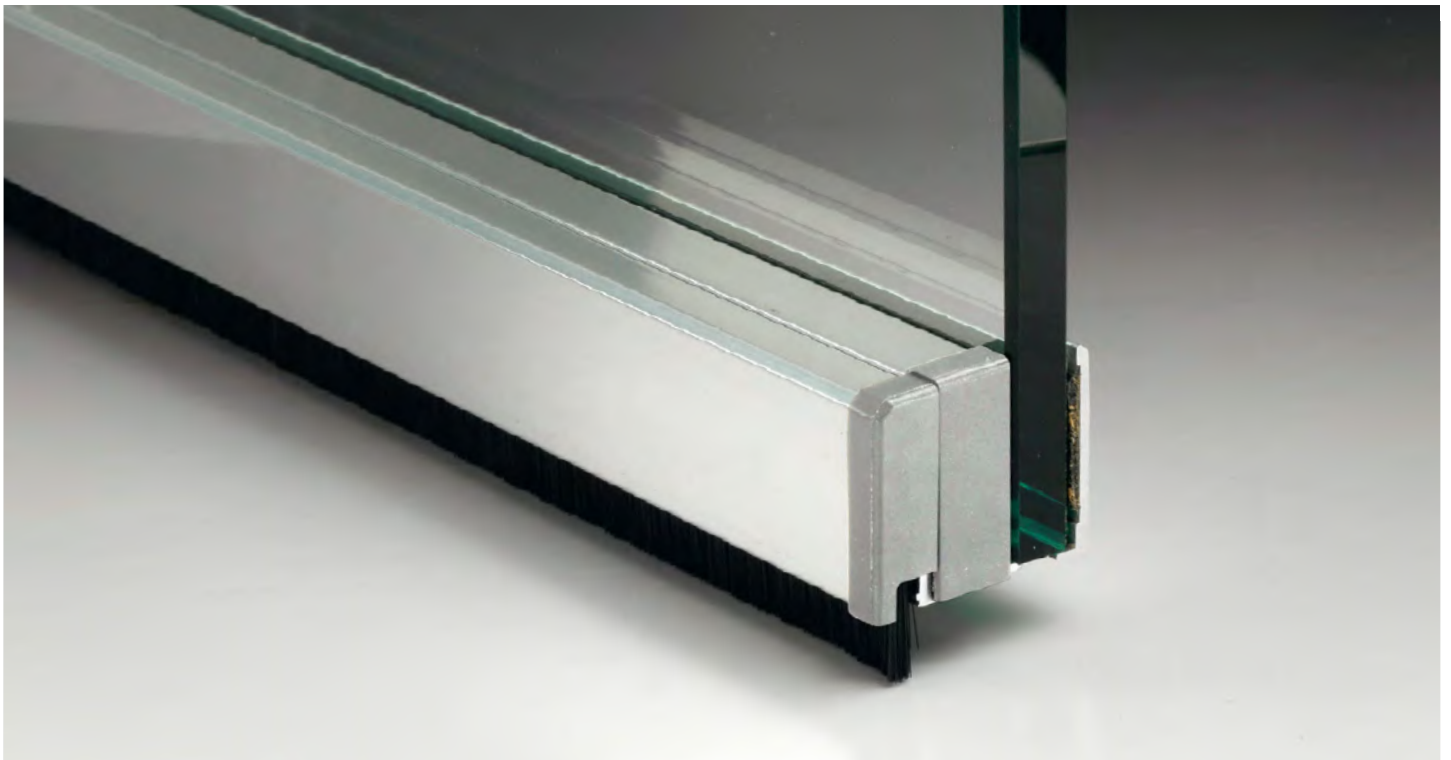
FLUSH FIT KIT - KIT INCLUDES

Material: plastic. Properties: Flush fit kit for doors fitted flush with fixed glass.

Application: on fixed glass with high strength two-sided tape.



Art.	Length	Glass width	Qty
GS01875	900 mm	min 775 - max 900 mm	1 Pc
GS01100	1025 mm	min 900 - max 1025 mm	1 Pc



LOWER PROFILE WITH BRUSH GLASS 300 PIVOT

Application: Closing gaps on the floor to ensure a seal that protects against wind, dust, insects, noise and changes in temperature. Not waterproof

Description: An under door gasket that seals gaps between the glass door and floor. Can be installed on all traditional hinged systems, and on pivoting systems with floor-mounted door closer (using a suitable compensator for the hinge plate), adapting to the difference in height with a self-levelling spring system. The very fine bristles on the brush create a barrier that prevents dust and insects from entering, without hindering the opening of the door, even on rough floors. The under floor gasket is finished with stylish anodisation, side end caps and a rear cover that conceals the adhesive tape applied on the opposite side.

Properties: Attached using high strength two-sided tape.

Self-levelling spring movement. Aluminium alloy 6060 T6 profile. PA6 20% end caps.

FIXING TYPE: With high adhesion VHB two-sided tape for -40°C to +150°C

Finish: /97

FOR PIVOTING AND SWING DOORS

ANODISED COATING 8/15 MICRON

PATENTED SYSTEM

CAN BE USED WITH GLASS FITTING SERIES

LOWER HINGE GF100



Art. GF100 _ Page 467

BOLT GL800

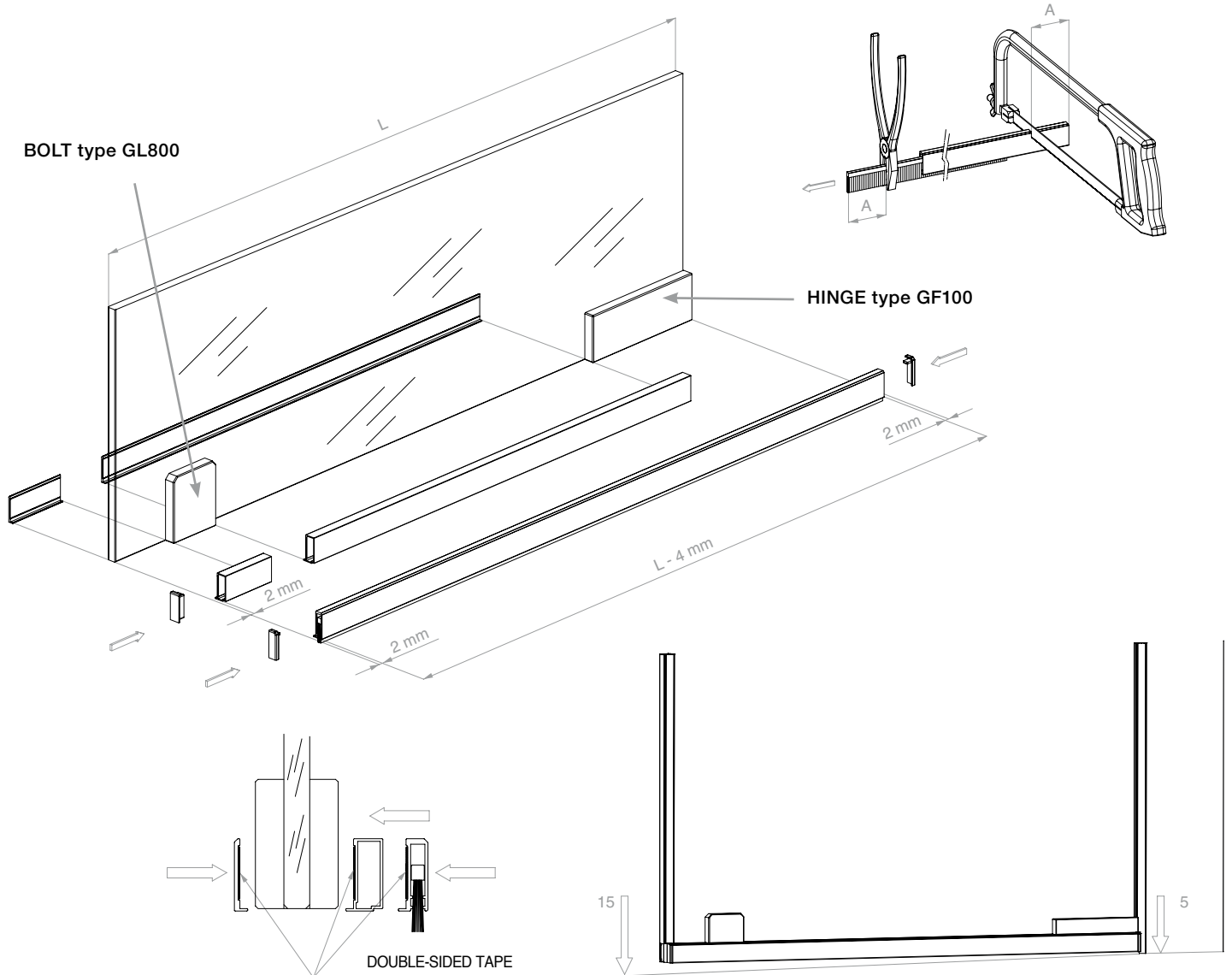
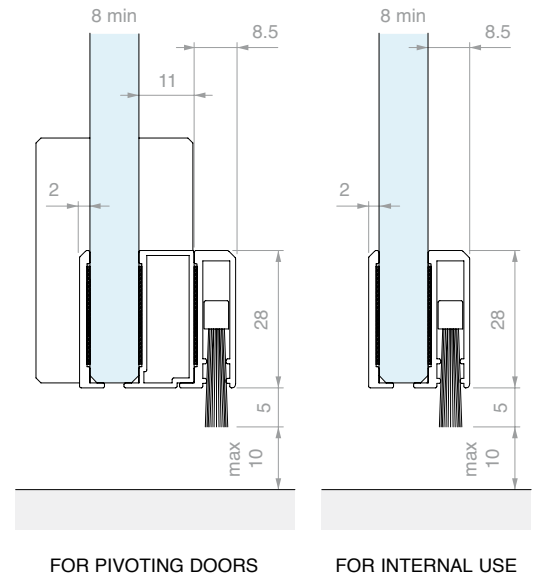
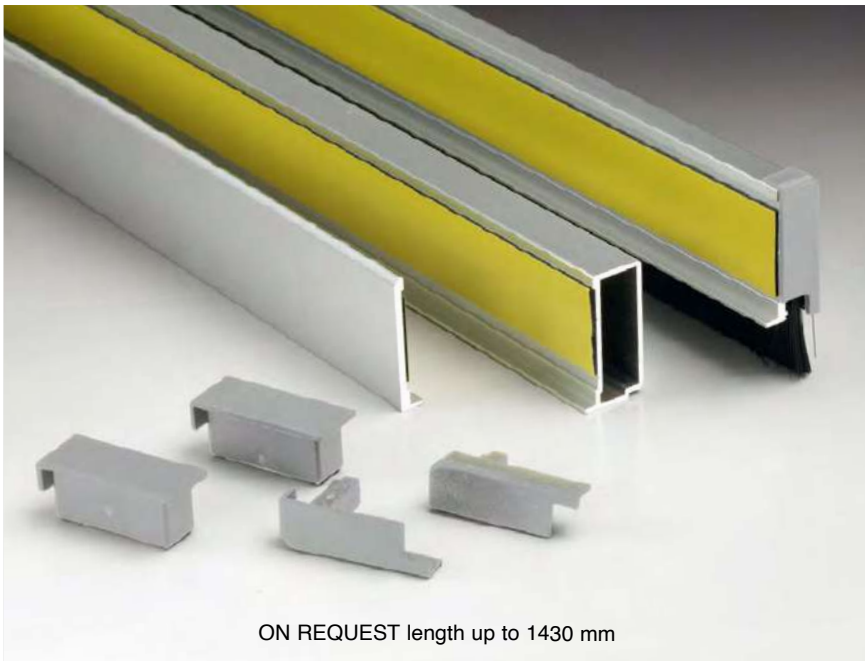


Art. GL800 _ Page 473

HANDLING AND CLEANING:

Wash with warm water and neutral detergent; use a soft cloth or a non-abrasive sponge.

Rinse thoroughly with clean water. Dry with a soft cloth.



Art.	Length	Glass width	Qty
GSP03100	1000 mm	max 1000 mm	1 Pc

FINISHES



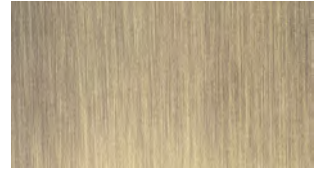
/1
Chrome



/2
Gold



/3
Brushed nickel



/4
Bronze



/5
White



/6
Matt black



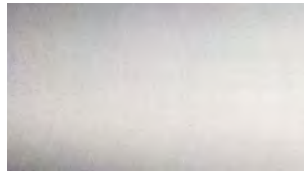
/7
Matt chrome



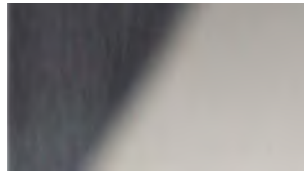
/8
Brushed steel



/9
Machining steel (CNC)



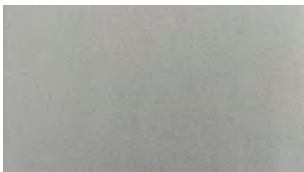
/10
Raw aluminium



/15
Polished steel



/24
Brushed steel effect



/45
Matt aluminium effect



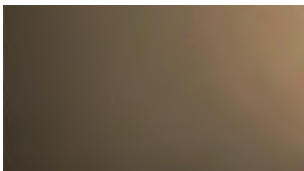
/56
Grey



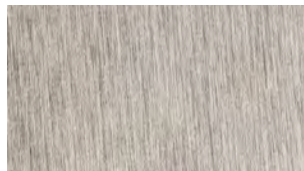
/65
Matt black



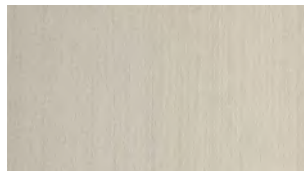
/66
Champagne aluminium



/67
Dark brushed bronze aluminium



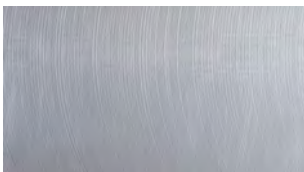
/83
PVD brushed steel



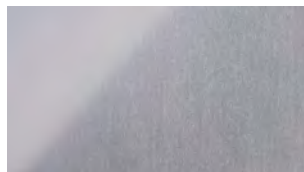
/88
Brushed steel effect aluminium



/89
Galvanised iron



/90
Machining aluminium



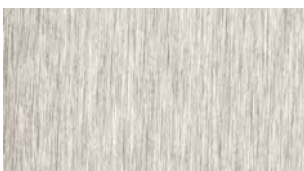
/91
Polished aluminium



/92
Matt nickel



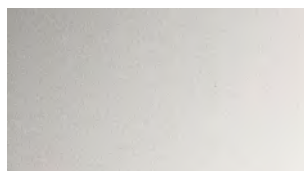
/93
Brass coated



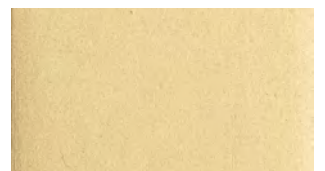
/94
Brushed chrome



/95
Nickel-coated



/97
Matt aluminium



/99
Brushed gold



/R2
RAL9005 matt black



/R6
RAL9016 matt traffic white



/R13
RAL7016 matt anthracite grey



/RAL
RAL9010 polished white