

HANDLES AND DOOR KNOBS





PANIC BAR
Page 565



PULL HANDLES WITH LOCK
Page 585



PULL HANDLES
Page 596



ADHESIVE HANDLES
Page 608



HANDLES
Page 615



DOOR KNOBS
Page 626




PHOTO SHOWS:
1 x MAPA 220 M/83
1 x MAPA 220/83

PANIC BAR

Only those systems which comply with standard EN 1125 may be installed for panic exits, which covers panic exit systems which are operated by horizontal bars (traditional PANIC BARS and touch bars). Devices which are mainly fitted in places open to the public or with personnel who are not trained in emergency procedures: cinemas, theatres, buildings used for sporting activities, etc.

Iseo Serrature has obtained certification of compliance with standard EN 1125 as per CPR 305/2011 from the Warrington Certification Limited (WCL) Institute.

CLASSIFICATION PRINTED ON THE PRODUCT TO IDENTIFY THE APPROPRIATE PROPERTIES FOR EACH APPLICATION

Not suitable for fire/smoke-proof doors	3	7	6	0	1	4	2	2	A
Suitable for fire/smoke-proof doors	3	7	6	1	1	4	2	2	A
	Category of use	Durability	Door mass	Resistance to fire	Safety for people	Corrosion resistance	Security for property	Projection of the bar	Type of device operation



Category of use. There is a single category which is identified for very frequent use of the bar by people who are not paying much attention and the possibility of incident or improper use may arise.

Durability. There are two categories:

- grade 6 = 100,000 cycles
- grade 7 = 200,000 cycles

Door mass. There are two categories:

- grade 5 = up to 100 kg,
- grade 6 = up to 200 kg.

Resistance to fire. There are two categories:

- grade 0 = not suitable for fire/smoke-proof doors
- grade 1 = suitable for fire/smoke-proof doors.

Safety for people. There is a single category which represents the highest achievable grade based on the fact that the panic devices must ensure the safety of people.

Corrosion resistance. There are two categories, in accordance with standard UNI EN1670: 2007
grade 3 = high resistance,
grade 4 = very high resistance.

Security for property. There is a single category which represents the lowest achievable grade based on the fact that the security of property must be considered to be secondary to the safety of people.

Projection of the bar. There are two categories:

- grade 1 = projection of the bar up to 150 mm (normal)
- grade 2 = projection of the bar up to 100 mm (low profile)

Type of device operation. There are 2 categories:

- A = panic bar operated by a push bar
- B = panic bar operated by a touch bar.

For more details, please refer to standard EN1125

The scope of application for PANIC BARS is defined by standard EN 1125, as set out below

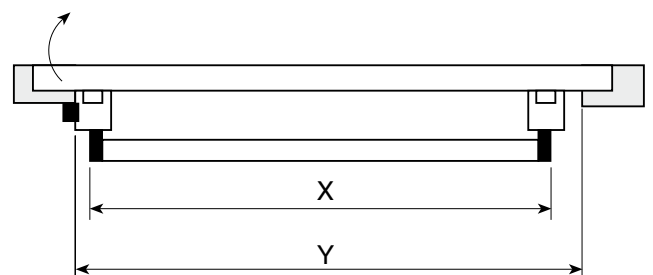
Maximum door width	1300 mm
Maximum door height	2500 mm
Maximum door mass	200 kg
Operating temperature limits	-20°C to + 100°C

If the dimensions of the door are greater than the values indicated above, standard EN 1125 no longer applies and therefore the product certification is no longer valid. For doors with a mass of up to 200 kg, maximum height up to 3200 mm, and width up to 1500 mm, ISEO declares that the performance of the push bars are equal to those required by the standard.

Note:

The effective length of the bar (dimension X) must be as close as possible to the actual width (dimension Y) of the door for which it is recommended. In any case, it must never be less than 60% (see figure).

For the mass of the door, the limits of application remain the same as those specified by the standard.





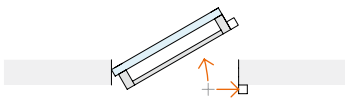
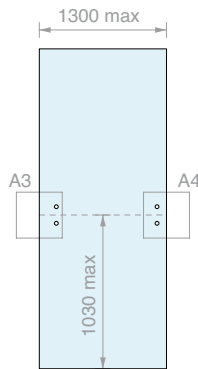
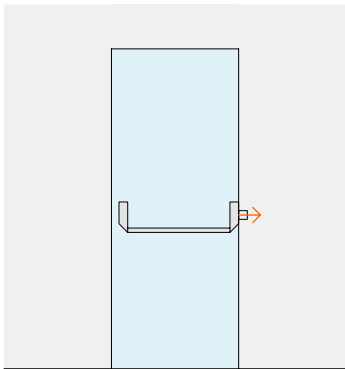
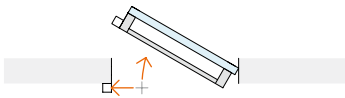
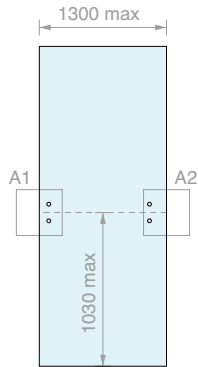
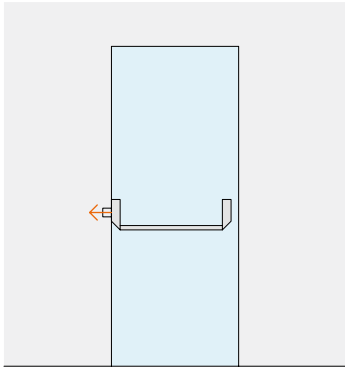
**SINGLE DOOR PANIC BAR KIT
WITHOUT EXTERNAL HANDLE**

Material: Aluminium, Steel, Zamak

Finish: /56 /83

10/15

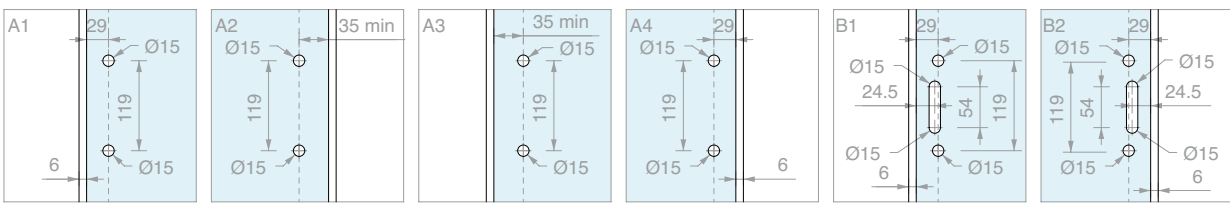
REVERSIBLE EXTERNAL OPENING



Art.	Q.ty
MAP-BASE	1 Pc

Kit comprising:

Art.	Description	Qty
MAP101	Latch/levers/cover	1 Pc
MAP103	Oval horizontal bar	1 Pc
MAP107	Pair of striker plates for push bars without control	1 Pc

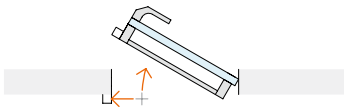
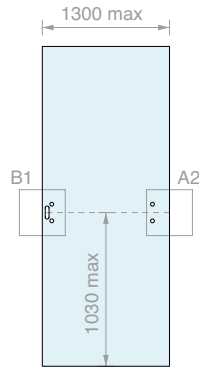
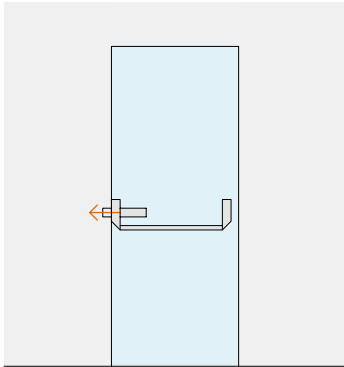


SINGLE DOOR PANIC BAR KIT WITH EXTERNAL HANDLE

Material: Aluminium, Steel, Zamak

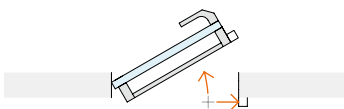
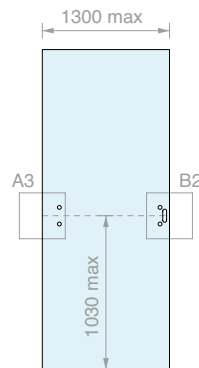
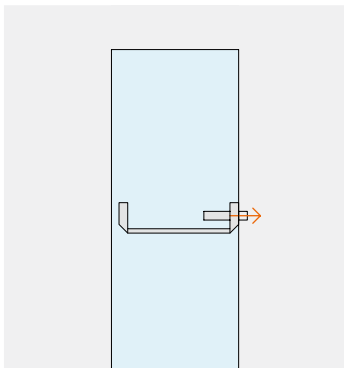
Finish: /56 /83

RIGHT EXTERNAL OPENING



Art.	Version	Qty
MAP-BASEMSX	Left	1 Pc

LEFT EXTERNAL OPENING



Art.	Version	Qty
MAP-BASEMDX	Right	1 Pc

Kit comprising:

Art.	Description	Qty
MAP101	Latch/levers/cover	1 Pc
MAP103	Oval horizontal bar	1 Pc
MAP105	External handle	1 Pc
MAP111	Left external control	1 Pc

Kit comprising:

Art.	Description	Qty
MAP101	Latch/levers/cover	1 Pc
MAP103	Oval horizontal bar	1 Pc
MAP105	External handle	1 Pc
MAP109	Right external control	1 Pc



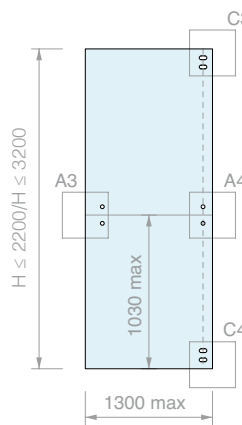
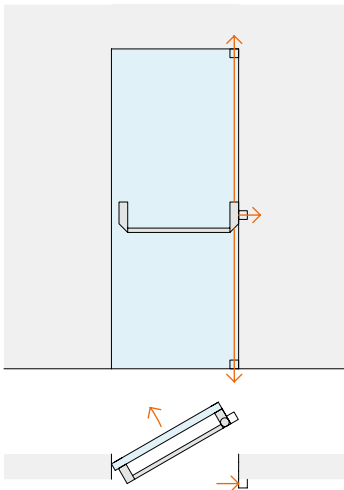
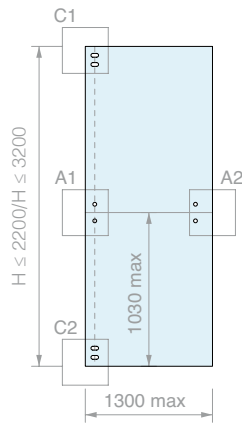
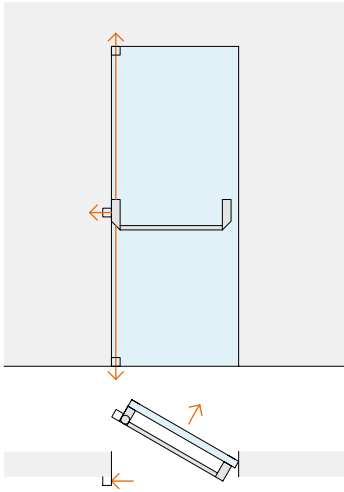
**SINGLE DOOR PANIC BAR KIT
WITHOUT EXTERNAL HANDLE WITH BOLT LATCHES**

Material: Aluminium, Steel, Zamak

Finish: /56 /83

10/15

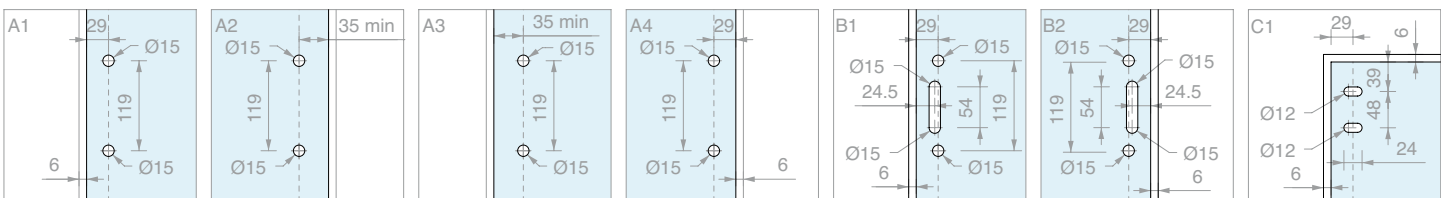
REVERSIBLE EXTERNAL OPENING



Art.	H max door	Qty
MAP-A220	2200 mm	1 Pc
MAP-A320	3200 mm	1 Pc

Kit comprising:

Art.	Description	Qty
MAP101-BOLT	Latch/levers/cover/latch bolt	1 Pc
MAP103	Oval horizontal bar	1 Pc
MAP107	Pair of striker plates for push bars without control	1 Pc
MAP113 / MAP114	Pair of Bolt latches - H 2200 mm Pair of Bolt latches - H 3200 mm	1 Pc
MAP115 / MAP116	Pair of Bolt strike plates - H 2200 mm Pair of Bolt strike plates - H 3200 mm	1 Pc





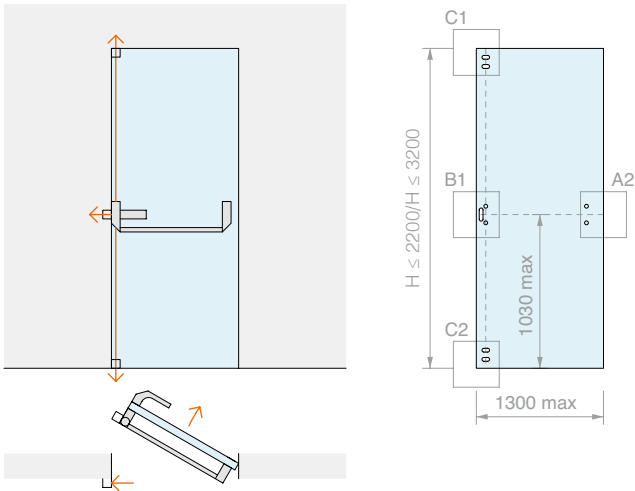
**SINGLE DOOR PANIC BAR KIT
WITH EXTERNAL HANDLE AND BOLT LATCHES**

Material: Aluminium, Steel, Zamak

Finish: /56 /83

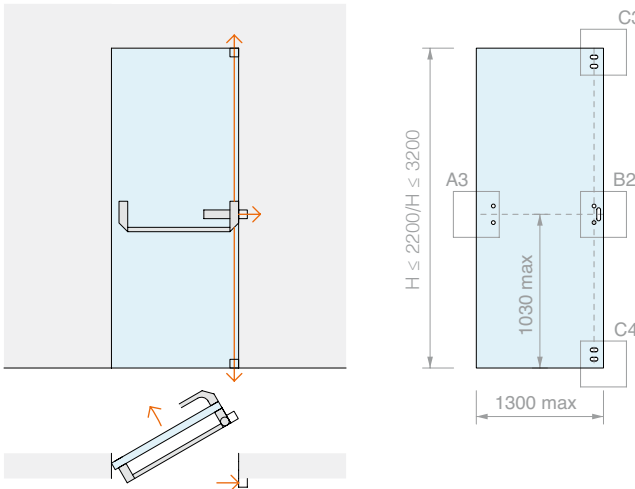
10/15

LEFT EXTERNAL OPENING

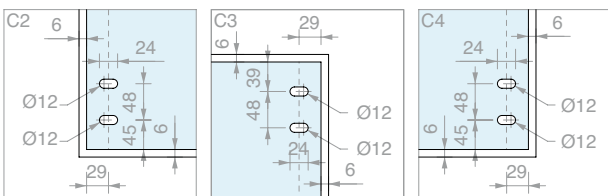


Art.	H max door	Version	Qty
MAP-A220MSX	2200 mm	Left	1 Pc
MAP-A320MSX	3200 mm	Left	1 Pc

RIGHT EXTERNAL OPENING



Art.	H max door	Version	Qty
MAP-A220MDX	2200 mm	Right	1 Pc
MAP-A320MDX	3200 mm	Right	1 Pc



Kit comprising:

Art.	Description	Qty
MAP101-BOLT	Latch/levers/cover/latch bolt	1 Pc
MAP103	Oval horizontal bar	1 Pc
MAP113 /	Pair of Bolt latches - H 2200 mm	1 Pc
MAP114	Pair of Bolt latches - H 3200 mm	
MAP115 /	Pair of Bolt strike plates - H 2200 mm	1 Pc
MAP116	Pair of Bolt strike plates - H 3200 mm	
MAP105	External handle	1 Pc
MAP111	Left external control	1 Pc

Kit comprising:

Art.	Description	Qty
MAP101-BOLT	Latch/levers/cover/latch bolt	1 Pc
MAP103	Oval horizontal bar	1 Pc
MAP113 /	Pair of Bolt latches - H 2200 mm	1 Pc
MAP114	Pair of Bolt latches - H 3200 mm	
MAP115 /	Pair of Bolt strike plates - H 2200 mm	1 Pc
MAP116	Pair of Bolt strike plates - H 3200 mm	
MAP105	External handle	1 Pc
MAP109	Right external control	1 Pc



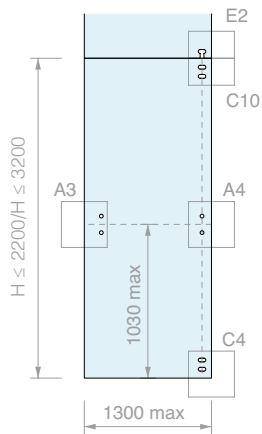
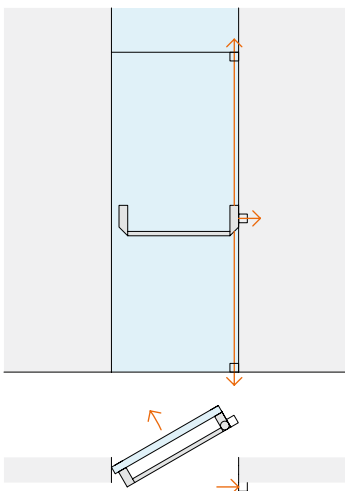
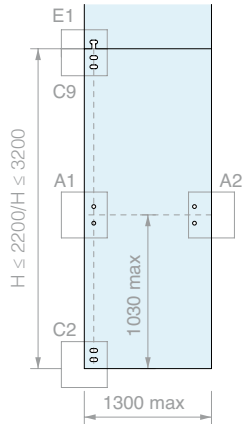
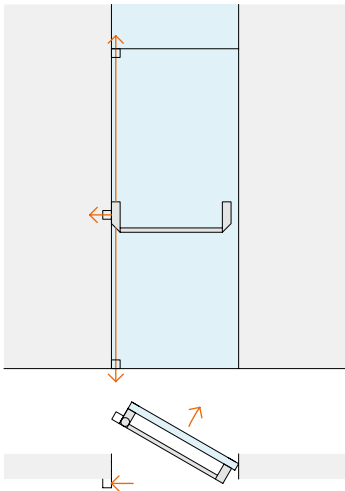
**SINGLE DOOR PANIC BAR KIT
WITHOUT EXTERNAL HANDLE WITH BOLT LATCHES AND TRANSOM**

10/15

Material: Aluminium, Steel, Zamak

Finish: /56 /83

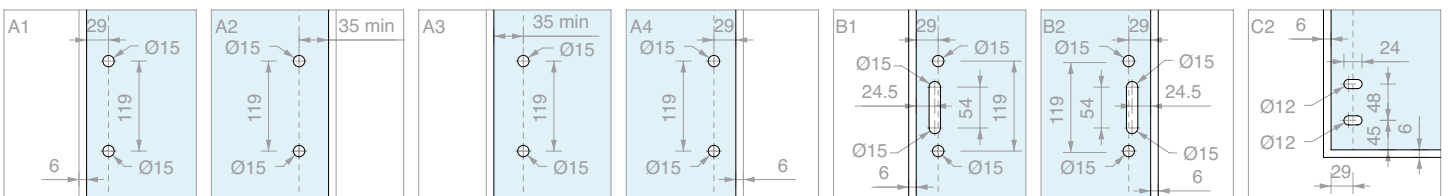
REVERSIBLE EXTERNAL OPENING



Kit comprising:

Art.	Description	Qty
MAP101-BOLT	Latch/levers/cover/latch bolt	1 Pc
MAP103	Oval horizontal bar	1 Pc
MAP107	Pair of striker plates for push bars without control	1 Pc
MAP113 / MAP114	Pair of Bolt latches - H 2200 mm Pair of Bolt latches - H 3200 mm	1 Pc
MAP115 / MAP116	Pair of Bolt strike plates - H 2200 mm Pair of Bolt strike plates - H 3200 mm	1 Pc
MAP119	Upper strike plate for Bolt latch	1 Pc

Art.	H max door	Qty
MAP-B220	2200 mm	1 Pc
MAP-B320	3200 mm	1 Pc





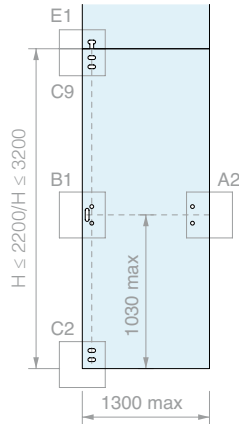
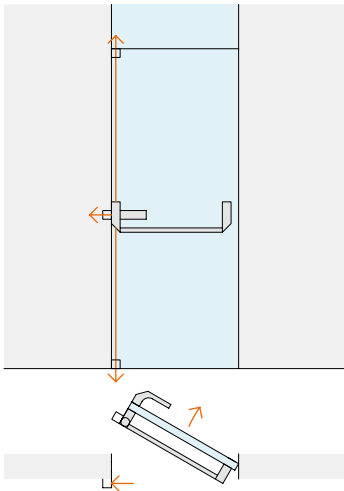
**SINGLE DOOR PANIC BAR KIT
WITH EXTERNAL HANDLE, BOLT LATCHES AND TRANSOM**

Material: Aluminium, Steel, Zamak

Finish: /56 /83

10/15

LEFT EXTERNAL OPENING

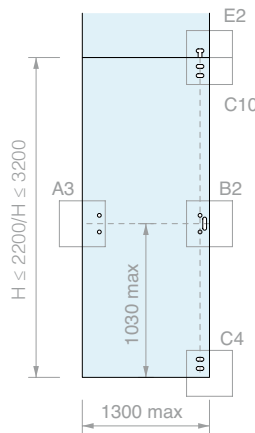
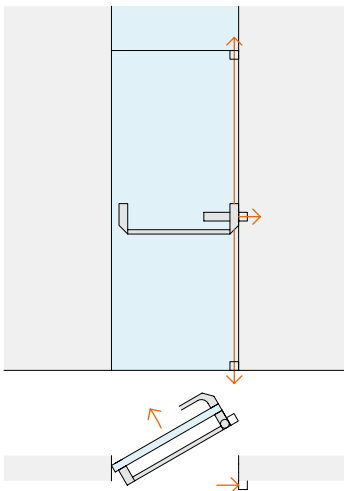


Kit comprising:

Art.	Description	Qty
MAP101-BOLT	Latch/levers/cover/latch bolt	1 Pc
MAP103	Oval horizontal bar	1 Pc
MAP113 /	Pair of Bolt latches - H 2200 mm	1 Pc
MAP114	Pair of Bolt latches - H 3200 mm	
MAP115 /	Pair of Bolt strike plates - H 2200 mm	1 Pc
MAP116	Pair of Bolt strike plates - H 3200 mm	
MAP119	Upper strike plate for Bolt latch	1 Pc
MAP105	External handle	1 Pc
MAP111	Left external control	1 Pc

Art.	H max door	Version	Qty
MAP-B220MSX	2200 mm	Left	1 Pc
MAP-B320MSX	3200 mm	Left	1 Pc

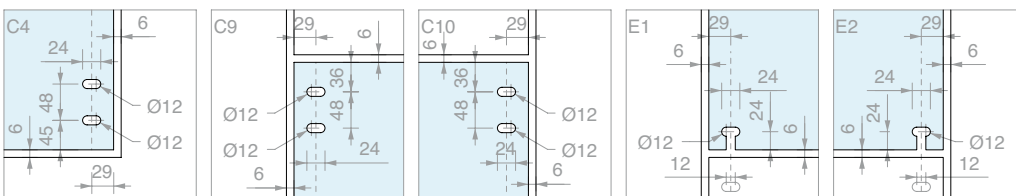
RIGHT EXTERNAL OPENING



Kit comprising:

Art.	Description	Qty
MAP101-BOLT	Latch/lever/cover/latch bolt	1 Pc
MAP103	Oval horizontal bar	1 Pc
MAP113 /	Pair of Bolt latches - H 2200 mm	1 Pc
MAP114	Pair of Bolt latches - H 3200 mm	
MAP115 /	Pair of Bolt strike plates - H 2200 mm	1 Pc
MAP116	Pair of Bolt strike plates - H 3200 mm	
MAP119	Upper strike plate for Bolt latch	1 Pc
MAP105	External handle	1 Pc
MAP109	Right external control	1 Pc

Art.	H max door	Version	Qty
MAP-B220MDX	2200 mm	Right	1 Pc
MAP-B320MDX	3200 mm	Right	1 Pc





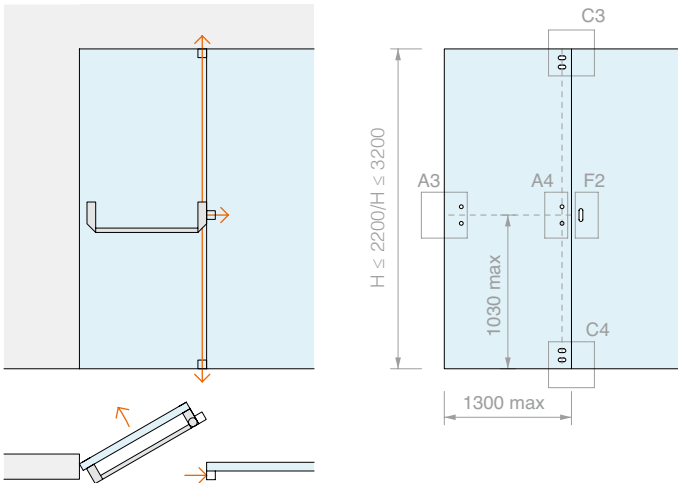
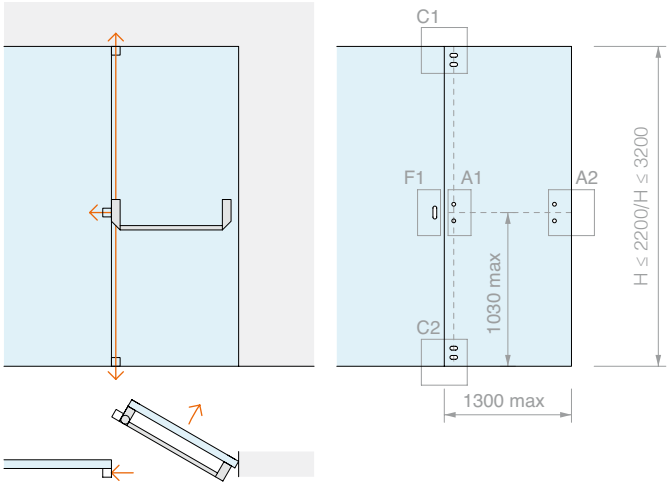
**SINGLE DOOR PANIC BAR KIT
WITHOUT EXTERNAL HANDLE WITH BOLT LATCHES AND FIXED GLASS**

10/15

Material: Aluminium, Steel, Zamak

Finish: /56 /83

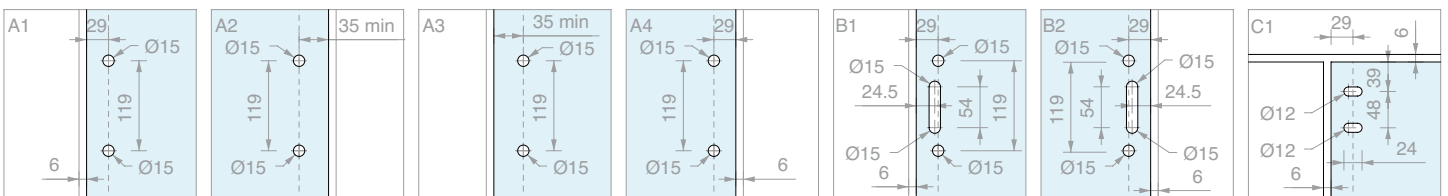
REVERSIBLE EXTERNAL OPENING



Kit comprising:

Art.	Description	Qty
MAP101-BOLT	Latch/levers/cover/latch bolt	1 Pc
MAP103	Oval horizontal bar	1 Pc
MAP107	Pair of striker plates for push bars without control	1 Pc
MAP113 /	Pair of Bolt latches - H 2200 mm	1 Pc
MAP114	Pair of Bolt latches - H 3200 mm	
MAP115 /	Pair of Bolt strike plates - H 2200 mm	1 Pc
MAP116	Pair of Bolt strike plates - H 3200 mm	
MAP117	Side strike plate for fixed glass	1 Pc

Art.	H max door	Qty
MAP-C220	2200 mm	1 Pc
MAP-C320	3200 mm	1 Pc





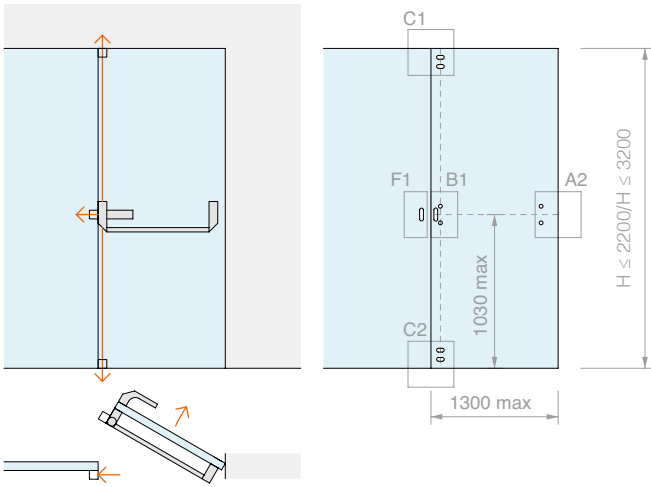
**SINGLE DOOR PANIC BAR KIT
WITH EXTERNAL HANDLE, BOLT LATCHES AND FIXED GLASS**

10/15

Material: Aluminium, Steel, Zamak

Finish: /56 /83

LEFT EXTERNAL OPENING

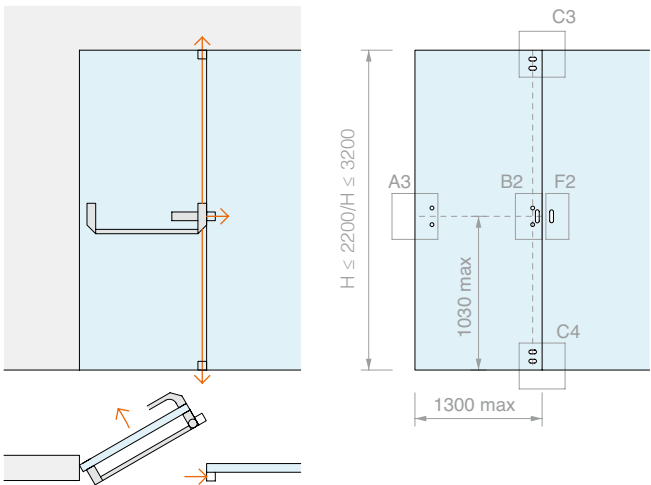


Art.	H max door	Version	Qty
MAP-C220MSX	2200 mm	Left	1 Pc
MAP-C320MSX	3200 mm	Left	1 Pc

Kit comprising:

Art.	Description	Qty
MAP101-BOLT	Latch/levers/cover/latch bolt	1 Pc
MAP103	Oval horizontal bar	1 Pc
MAP117	Side strike plate for fixed glass	1 Pc
MAP113 / MAP114	Pair of Bolt latches - H 2200 mm Pair of Bolt latches - H 3200 mm	1 Pc
MAP115 / MAP116	Pair of Bolt strike plates - H 2200 mm Pair of Bolt strike plates - H 3200 mm	1 Pc
MAP105	External handle	1 Pc
MAP111	Left external control	1 Pc

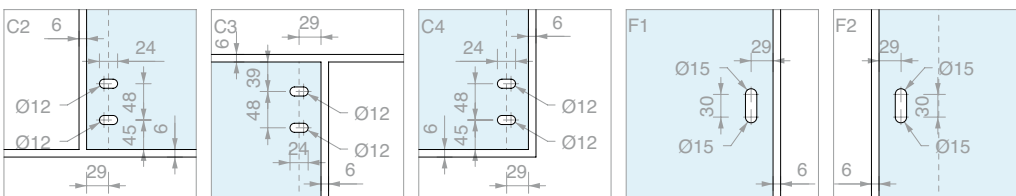
RIGHT EXTERNAL OPENING



Art.	H max door	Version	Qty
MAP-C220MDX	2200 mm	Right	1 Pc
MAP-C320MDX	3200 mm	Right	1 Pc

Kit comprising:

Art.	Description	Qty
MAP101-BOLT	Latch/levers/cover/latch bolt	1 Pc
MAP103	Oval horizontal bar	1 Pc
MAP117	Side strike plate for fixed glass	1 Pc
MAP113 / MAP114	Pair of Bolt latches - H 2200 mm Pair of Bolt latches - H 3200 mm	1 Pc
MAP115 / MAP116	Pair of Bolt strike plates - H 2200 mm Pair of Bolt strike plates - H 3200 mm	1 Pc
MAP105	External handle	1 Pc
MAP109	Right external control	1 Pc





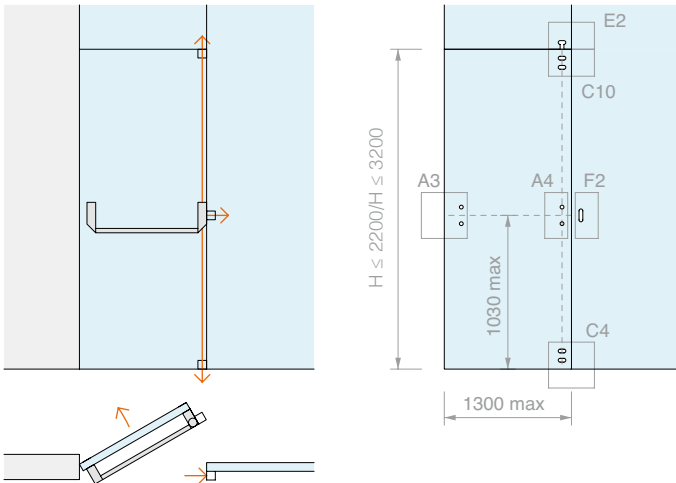
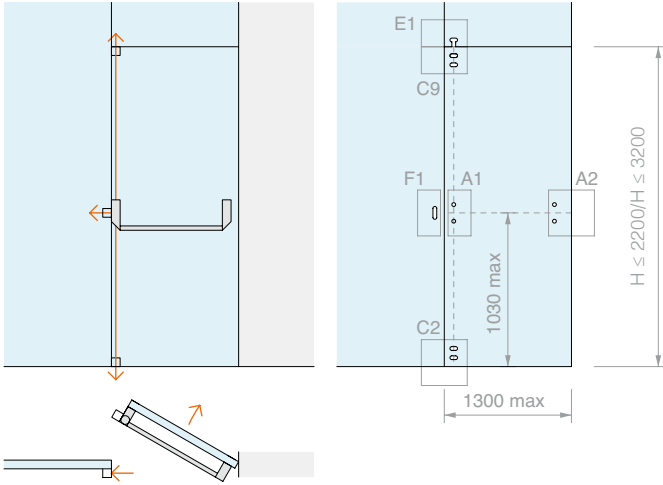
**SINGLE DOOR PANIC BAR KIT
WITHOUT EXTERNAL HANDLE, WITH BOLT LATCHES, TRANSOM AND FIXED GLASS**

10/15

Material: Aluminium, Steel, Zamak

Finish: /56 /83

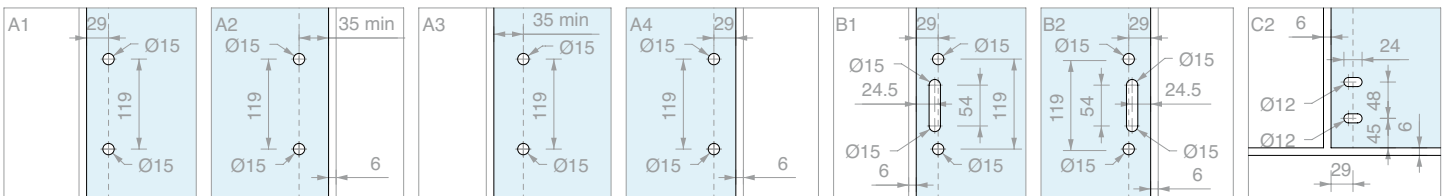
REVERSIBLE EXTERNAL OPENING



Kit comprising:

Art.	Description	Qty
MAP101-BOLT	Latch/levers/cover/latch bolt	1 Pc
MAP103	Oval horizontal bar	1 Pc
MAP107	Pair of striker plates for push bars without control	1 Pc
MAP113 /	Pair of Bolt latches - H 2200 mm	1 Pc
MAP114	Pair of Bolt latches - H 3200 mm	
MAP115 /	Pair of Bolt strike plates - H 2200 mm	1 Pc
MAP116	Pair of Bolt strike plates - H 3200 mm	
MAP117	Side strike plate for fixed glass	1 Pc
MAP119	Upper strike plate for Bolt latch	1 Pc

Art.	H max door	Qty
MAP-E220	2200 mm	1 Pc
MAP-E320	3200 mm	1 Pc





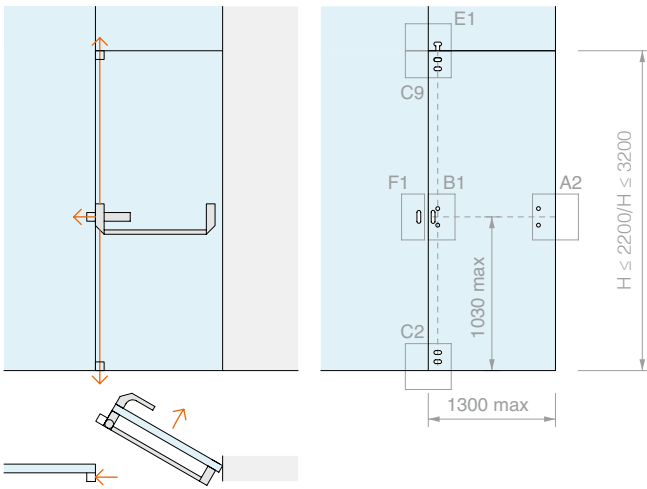
**SINGLE DOOR PANIC BAR KIT
WITH EXTERNAL HANDLE, BOLT LATCHES, TRANSOM AND FIXED GLASS**

10/15

Material: Aluminium, Steel, Zamak

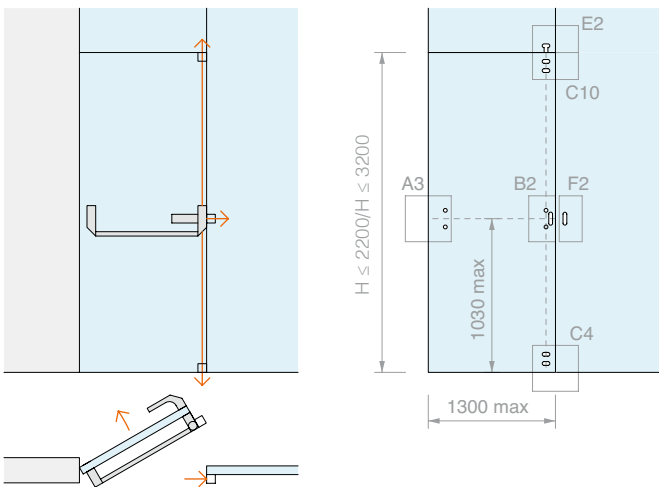
Finish: /56 /83

LEFT EXTERNAL OPENING



Art.	H max door	Version	Qty
MAP-E220MSX	2200 mm	Left	1 Pc
MAP-E320MSX	3200 mm	Left	1 Pc

RIGHT EXTERNAL OPENING



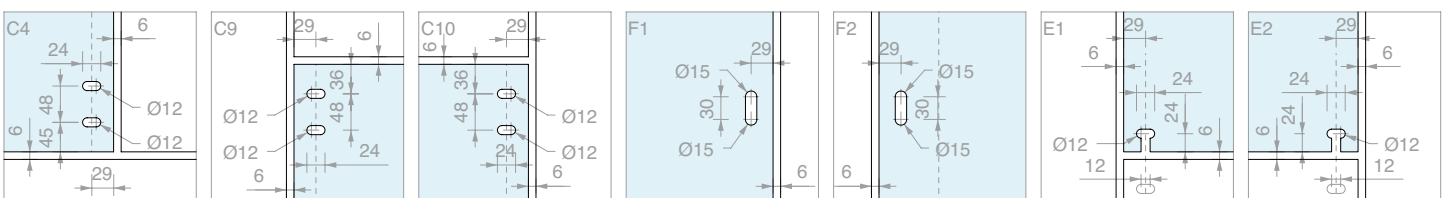
Art.	H max door	Version	Qty
MAP-E220MDX	2200 mm	Right	1 Pc
MAP-E320MDX	3200 mm	Right	1 Pc

Kit comprising:

Art.	Description	Qty
MAP101-BOLT	Latch/levers/cover/latch bolt	1 Pc
MAP103	Oval horizontal bar	1 Pc
MAP117	Side strike plate for fixed glass	1 Pc
MAP113 / MAP114	Pair of Bolt latches - H 2200 mm Pair of Bolt latches - H 3200 mm	1 Pc
MAP115 / MAP116	Pair of Bolt strike plates - H 2200 mm Pair of Bolt strike plates - H 3200 mm	1 Pc
MAP119	Upper strike plate for Bolt latch	1 Pc
MAP105	External handle	1 Pc
MAP111	Left external control	1 Pc

Kit comprising:

Art.	Description	Qty
MAP101-BOLT	Latch/levers/cover/latch bolt	1 Pc
MAP103	Oval horizontal bar	1 Pc
MAP117	Side strike plate for fixed glass	1 Pc
MAP113 / MAP114	Pair of Bolt latches - H 2200 mm Pair of Bolt latches - H 3200 mm	1 Pc
MAP115 / MAP116	Pair of Bolt strike plates - H 2200 mm Pair of Bolt strike plates - H 3200 mm	1 Pc
MAP119	Upper strike plate for Bolt latch	1 Pc
MAP105	External handle	1 Pc
MAP109	Right external control	1 Pc





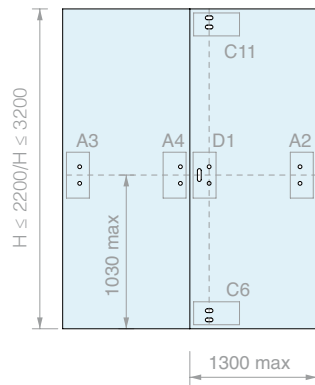
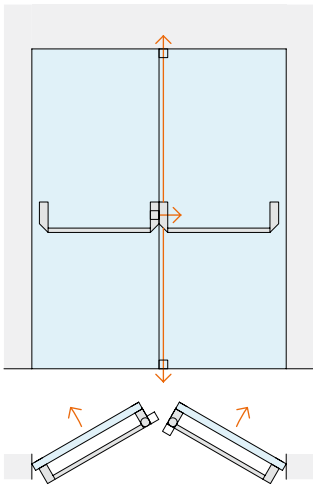
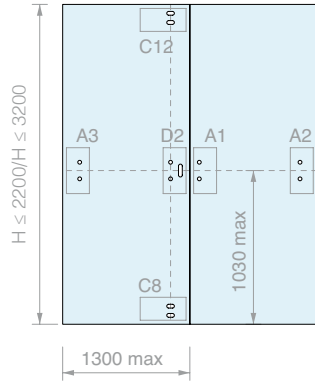
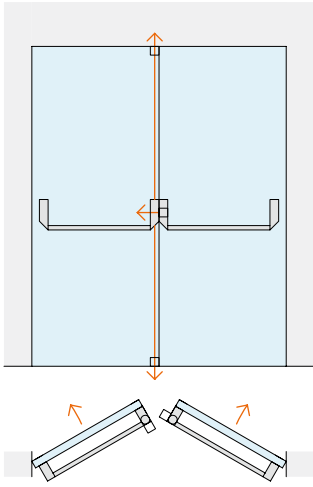
**DOUBLE DOOR PANIC BAR KIT
BOLT LATCHES ON ONE DOOR, WITHOUT EXTERNAL HANDLE**

10/15

Material: Aluminium, Steel, Zamak

Finish: /56 /83

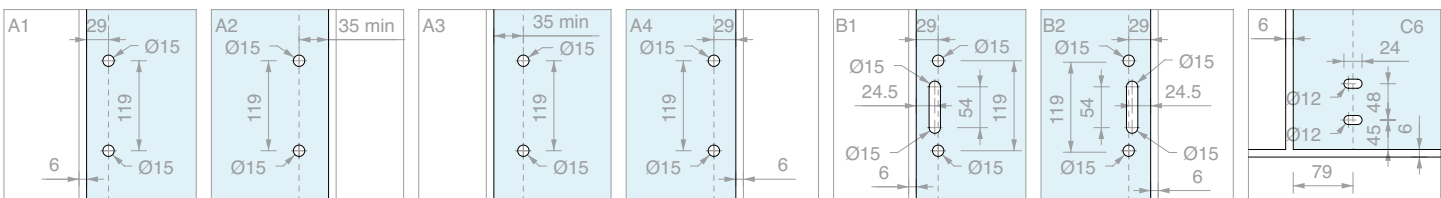
REVERSIBLE EXTERNAL OPENING



Art.	H max door	Qty
MAP-F220	2200 mm	1 Pc
MAP-F320	3200 mm	1 Pc

Kit comprising:

Art.	Description	Qty
MAP101-BOLT	Latch/levers/cover/latch bolt	1 Pc
MAP101	Latch/levers/cover	1 Pc
MAP103	Oval horizontal bar	2 Pcs
MAP107	Pair of striker plates for push bars without control	2 Pcs
MAP113 /	Pair of Bolt latches - H 2200 mm	1 Pc
MAP114	Pair of Bolt latches - H 3200 mm	1 Pc
MAP115 /	Pair of Bolt strike plates - H 2200 mm	1 Pc
MAP116	Pair of Bolt strike plates - H 3200 mm	1 Pc
MAP117	Side strike plate for fixed glass	1 Pc





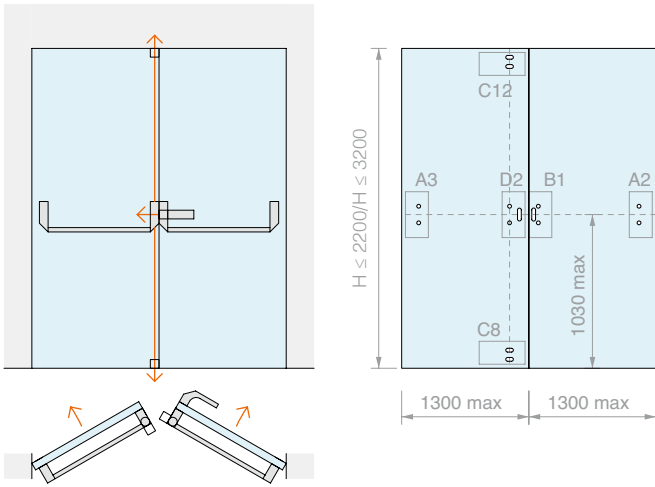
**DOUBLE DOOR PANIC BAR KIT
BOLT LATCHES ON ONE DOOR AND EXTERNAL HANDLE**

10/15

Material: Aluminium, Steel, Zamak

Finish: /56 /83

LEFT EXTERNAL OPENING

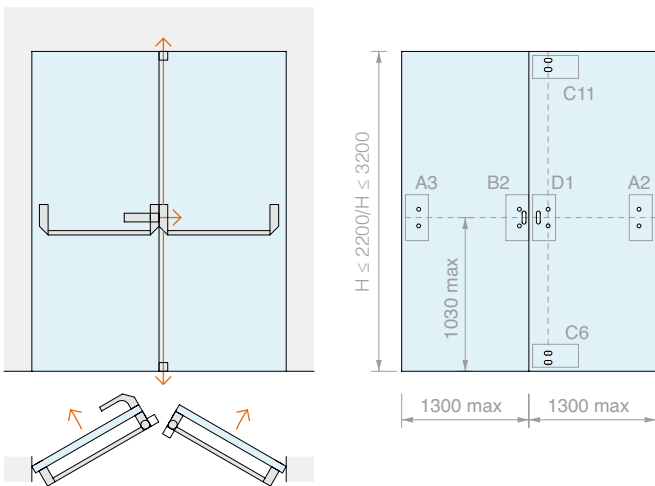


Art.	H max door	Version	Qty
MAP-F220MSX	2200 mm	Left	1 Pc
MAP-F320MSX	3200 mm	Left	1 Pc

Kit comprising:

Art.	Description	Qty
MAP101-BOLT	Latch/levers/cover/latch bolt	1 Pc
MAP101	Latch/levers/cover	1 Pc
MAP103	Oval horizontal bar	2 Pcs
MAP107	Pair of striker plates for push bars without control	1 Pc
MAP113 /	Pair of Bolt latches - H 2200 mm	1 Pc
MAP114	Pair of Bolt latches - H 3200 mm	1 Pc
MAP115 /	Pair of Bolt strike plates - H 2200 mm	1 Pc
MAP116	Pair of Bolt strike plates - H 3200 mm	1 Pc
MAP117	Side strike plate for fixed glass	1 Pc
MAP105	External handle	1 Pc
MAP111	Left external control	1 Pc

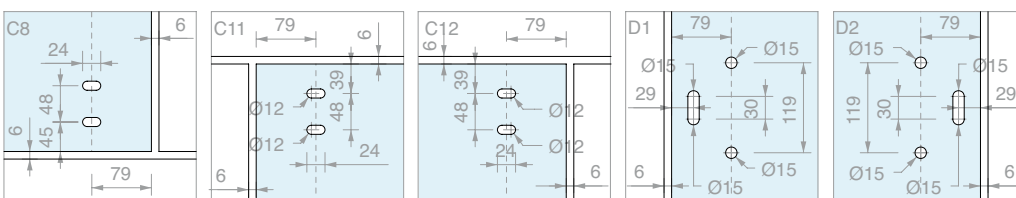
RIGHT EXTERNAL OPENING



Art.	H max door	Version	Qty
MAP-F220MDX	2200 mm	Right	1 Pc
MAP-F320MDX	3200 mm	Right	1 Pc

Kit comprising:

Art.	Description	Qty
MAP101-BOLT	Latch/levers/cover/latch bolt	1 Pc
MAP101	Latch/levers/cover	1 Pc
MAP103	Oval horizontal bar	2 Pcs
MAP107	Pair of striker plates for push bars without control	1 Pc
MAP113 /	Pair of Bolt latches - H 2200 mm	1 Pc
MAP114	Pair of Bolt latches - H 3200 mm	1 Pc
MAP115 /	Pair of Bolt strike plates - H 2200 mm	1 Pc
MAP116	Pair of Bolt strike plates - H 3200 mm	1 Pc
MAP117	Side strike plate for fixed glass	1 Pc
MAP105	External handle	1 Pc
MAP109	Right external control	1 Pc





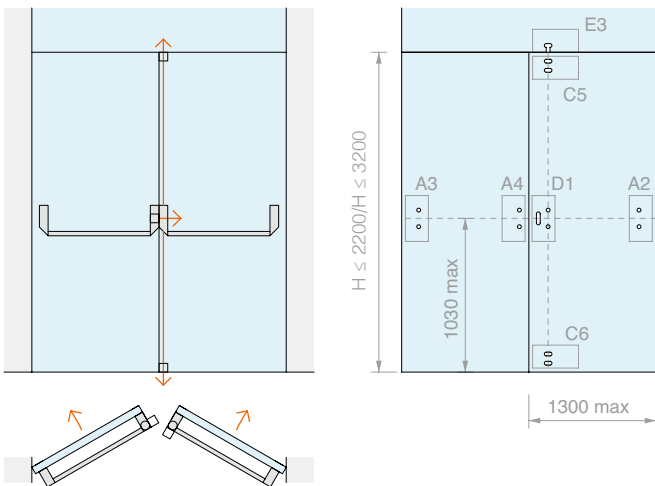
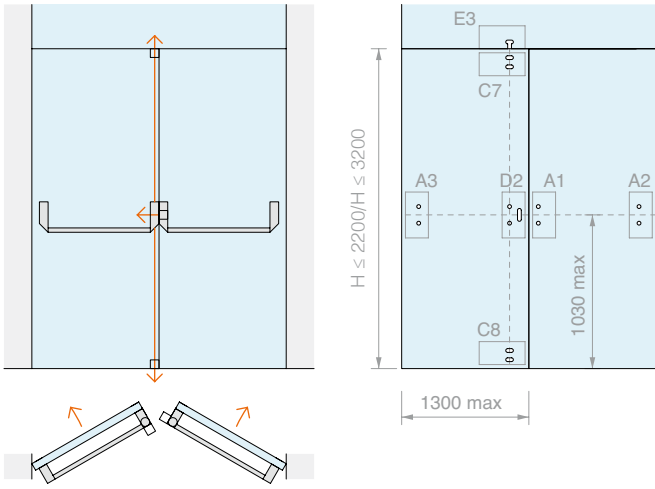
**DOUBLE DOOR PANIC BAR KIT
BOLT LATCHES ON ONE DOOR AND TRANSOM, WITHOUT EXTERNAL HANDLE**

10/15

Material: Aluminium, Steel, Zamak

Finish: /56 /83

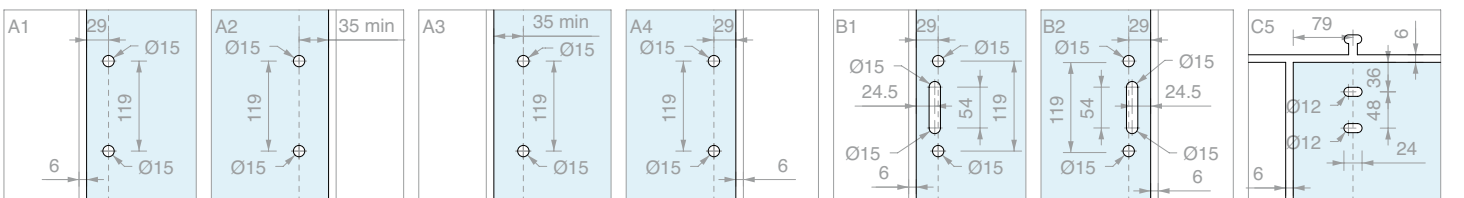
REVERSIBLE EXTERNAL OPENING



Kit comprising:

Art.	Description	Qty
MAP101-BOLT	Latch/levers/cover/latch bolt	1 Pc
MAP101	Latch/levers/cover	1 Pc
MAP103	Oval horizontal bar	2 Pcs
MAP107	Pair of striker plates for push bars without control	2 Pcs
MAP113 /	Pair of Bolt latches - H 2200 mm	1 Pc
MAP114	Pair of Bolt latches - H 3200 mm	1 Pc
MAP115 /	Pair of Bolt strike plates - H 2200 mm	1 Pc
MAP116	Pair of Bolt strike plates - H 3200 mm	1 Pc
MAP117	Side strike plate for fixed glass	1 Pc
MAP119	Upper strike plate for Bolt latch	1 Pc

Art.	H max door	Qty
MAP-G220	2200 mm	1 Pc
MAP-G320	3200 mm	1 Pc





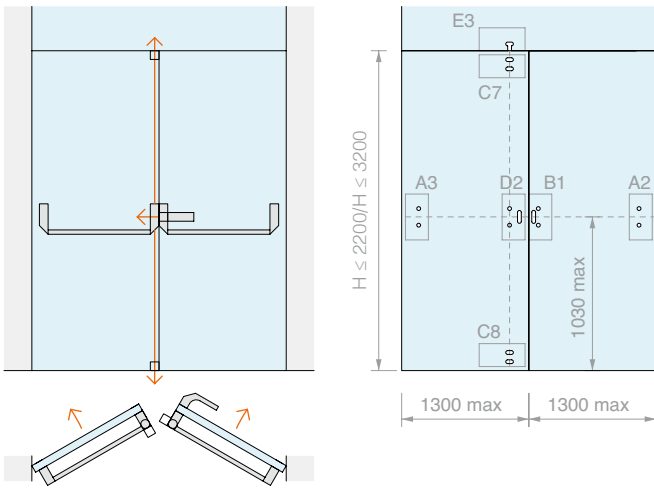
**DOUBLE DOOR PANIC BAR KIT
BOLT LATCHES ON ONE DOOR, TRANSOM AND EXTERNAL HANDLE**

10/15

Material: Aluminium, Steel, Zamak

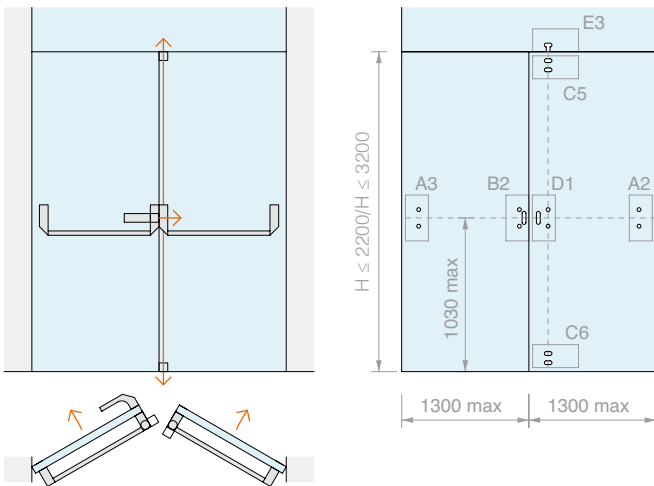
Finish: /56 /83

LEFT EXTERNAL OPENING

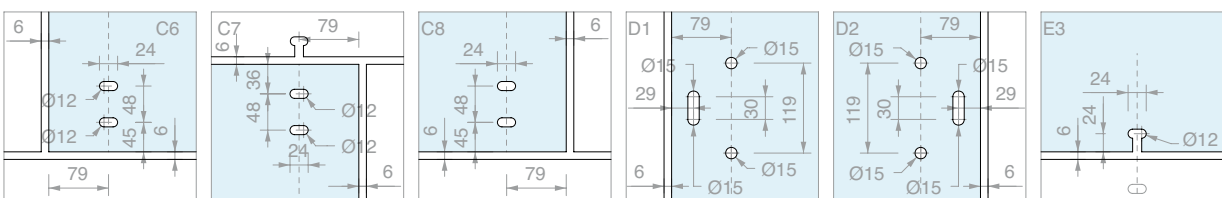


Art.	H max door	Version	Qty
MAP-G220MSX	2200 mm	Left	1 Pc
MAP-G320MSX	3200 mm	Left	1 Pc

RIGHT EXTERNAL OPENING



Art.	H max door	Version	Qty
MAP-G220MDX	2200 mm	Right	1 Pc
MAP-G320MDX	3200 mm	Right	1 Pc



Kit comprising:

Art.	Description	Qty
MAP101-BOLT	Latch/levers/cover/latch bolt	1 Pc
MAP101	Latch/levers/cover	1 Pc
MAP103	Oval horizontal bar	2 Pcs
MAP107	Pair of striker plates for push bars without control	1 Pc
MAP113 /	Pair of Bolt latches - H 2200 mm	1 Pc
MAP114	Pair of Bolt latches - H 3200 mm	1 Pc
MAP115 /	Pair of Bolt strike plates - H 2200 mm	1 Pc
MAP116	Pair of Bolt strike plates - H 3200 mm	1 Pc
MAP117	Side strike plate for fixed glass	1 Pc
MAP119	Upper strike plate for Bolt latch	1 Pc
MAP105	External handle	1 Pc
MAP111	Left external control	1 Pc

Kit comprising:

Art.	Description	Qty
MAP101-BOLT	Latch/levers/cover/latch bolt	1 Pc
MAP101	Latch/levers/cover	1 Pc
MAP103	Oval horizontal bar	2 Pcs
MAP107	Pair of striker plates for push bars without control	1 Pc
MAP113 /	Pair of Bolt latches - H 2200 mm	1 Pc
MAP114	Pair of Bolt latches - H 3200 mm	1 Pc
MAP115 /	Pair of Bolt strike plates - H 2200 mm	1 Pc
MAP116	Pair of Bolt strike plates - H 3200 mm	1 Pc
MAP117	Side strike plate for fixed glass	1 Pc
MAP119	Upper strike plate for Bolt latch	1 Pc
MAP105	External handle	1 Pc
MAP109	Right external control	1 Pc



**PANIC BAR
FOR FIXED GLASS FROM 8 TO 13.5 mm**

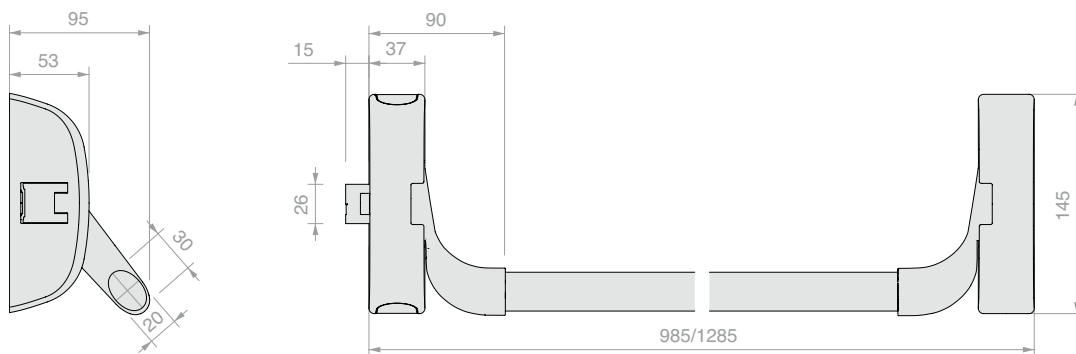
Material: AISI 304 stainless steel internal mechanism and cover in aluminium with PVD treatment - Finish: /83
Galvanised steel internal mechanism and painted aluminium cover - Finish: /56

Panic bar featuring materials and technical solutions that ensure compliance with the most severe requirements of standards, including CE marking as per CPR 305/2011; and voluntary product certification issued by third party ICIM specified by standard UNI EN 1125. Version supplied with self-locking side latch with exclusion option.

The bar can be combined with a pair of UP/DOWN latches with BOLT-type tips - Art. MAP113/MAP114

Stainless steel bar, can be shortened as shown in the instructions supplied with the Kit.

Thickness of the glass with screws included 10/15 mm.



Art.	Description	Dimensions	Qty
MAP101	Side latch + Levers + Cover	L max 1285 x H 145 x P 95 mm	1 Pc
MAP101-BOLT	Side latch + Levers + Cover + Accessories for latch	L max 1285 x H 145 x P 95 mm	1 Pc
MAP103	Oval horizontal bar	L max 1130 mm	1 Pc



EXTERNAL HANDLE

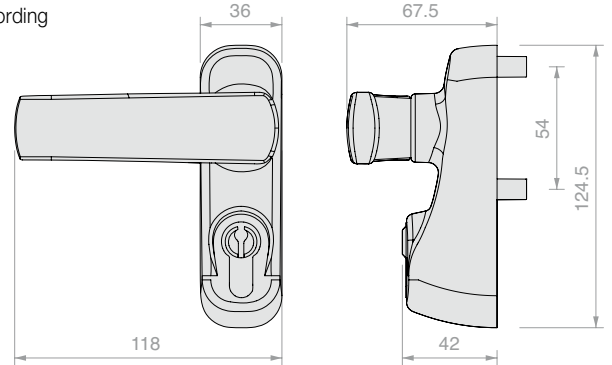
Material: Galvanised steel internal mechanism and cover in aluminium with PVD treatment

Finish: /83

Material: Galvanised steel internal mechanism and painted aluminium cover

Finish: /56

For use with Art. MAP109/MAP111 according to the direction of opening



Art.	Qty
MAP105	1 Pc

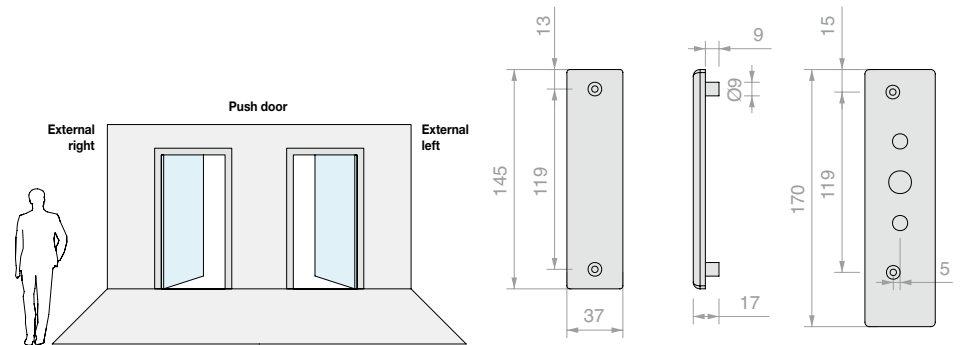


GLASS KIT FOR PANIC BARS WITH EXTERNAL CONTROL

Material: Zamak

Kit for fitting the panic bar (Art. MAP101 and MAP101-BOLT) on panes of glass with external control (handle) for right external opening (Art. MAP109) and left external opening (Art. MAP111).

Finish: /83



Art.	Opening	Qty
MAP109	External right	1 Pc
MAP111	External left	1 Pc

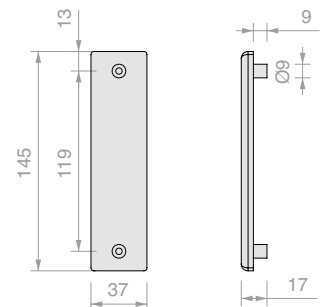


GLASS KIT FOR PANIC BARS WITHOUT EXTERNAL CONTROL

Material: Zamak

Installation kit for panic bar (Art. MAP101 and MAP101-BOLT) on panes of glass without external control (handle).

Finish: /83



Art.	Qty
MAP107	1 Pc



ELECTRICAL WALL STRIKE PLATE

Material: Galvanised steel internal mechanism and cover in aluminium with PVD treatment

Finish: /83

Material: Galvanised steel internal mechanism and painted aluminium cover

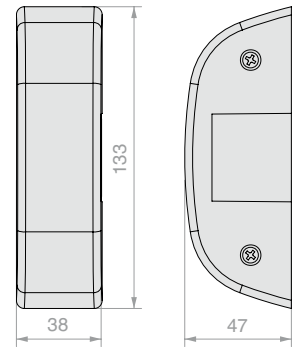
Finish: /56

Electric wall strike plate (not compatible with glass/glass systems)

Electric latch = 10 mm from wall

Art. MAP123 provides the electric strike plate in grey only;

for the PVD PAINTED STEEL finish, order separately Art. MAP125



Art.	Description	Qty
MAP123	Electric wall strike plate	1 Pc
MAP125	Brushed steel PVD finish cover for electric strike plate	1 Pc



PAIR OF LATCHES FOR BOLT LOCK

Material: aluminium cover

Latches for BOLT up/down lock, for use with panic bar (Art. MAP101-BOLT). The BOLT system (patented) is very highly resistant to external attacks: it is tamper-resistant (the rods are self-locking and the tips, 14 mm in diameter, rotate and are cut-resistant) and it is very highly resistant to being forced.

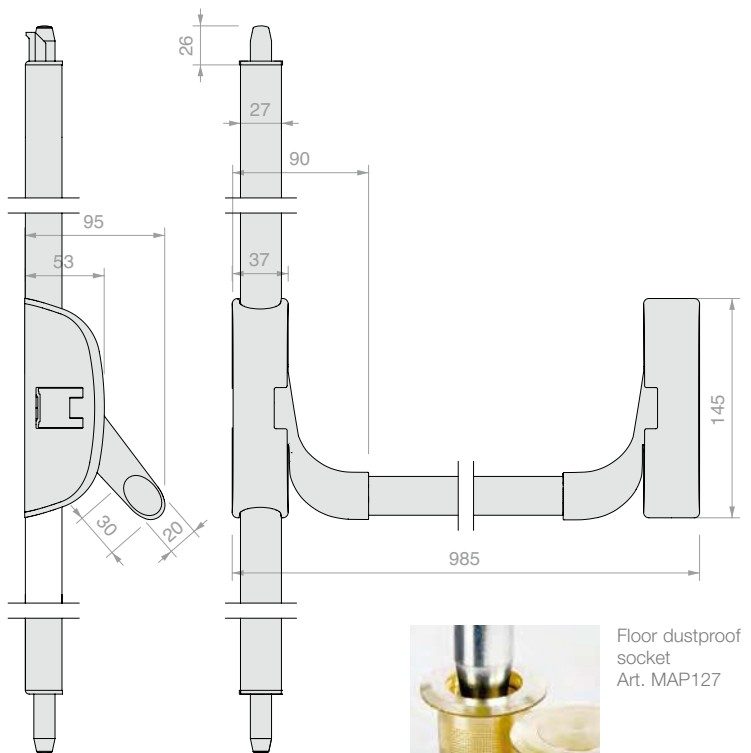
Finish: /56 /83



Security and ease to install. The pins are independent, self-locking, adjustable and resistant to being forced.



Self-closing system. When open, the rods are retracted. On closing, they lock on contact with the plate.



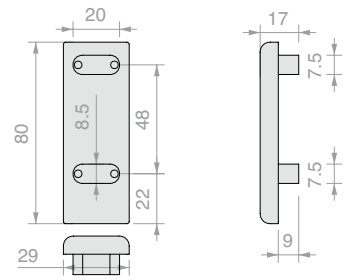
Floor dustproof socket Art. MAP127

Art.	Description	Dimensions	Qty
MAP113	Pair of latches	Up to H 2200 mm	1 Pc
MAP114	Pair of latches	From H 2200 to H 3200 mm	1 Pc
MAP127	Floor dustproof socket		1 Pc



GLASS KIT FOR ADDITIONAL "BOLT" LOCKS

Material: Zamak
 Kit for fitting the additional
 BOLT locks (Art. MAP113/MAP114)
 Finish: /83



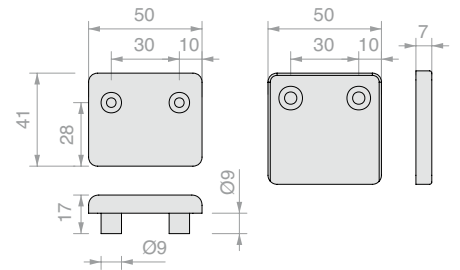
Art.	Dimensions	Qty
MAP115	H 2200 mm	1 Pc
MAP116	H 3200 mm	1 Pc



GLASS KIT FOR SIDE PLATE

Material: Zamak
 Kit for panic bar side lock strike plate

(Art. MAP101 and MAP101-BOLT)
 Finish: /83



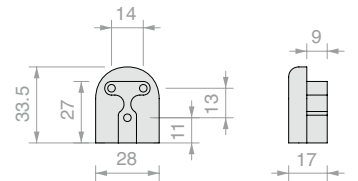
Art.	Qty
MAP117	1 Pc



GLASS KIT FOR UPPER ADJUSTABLE BOLT PLATE

Material: Zamak
 Accessory for transom, allows the self-closing system to lock on contact
 with the rods (Art. MAP113 and MAP114)

Finish: /83



Art.	Qty
MAP119	1 Pc



KIT FOR DOGGING DEVICE FUNCTION

To be inserted into the panic bar support (Art. MAP101 and MAP101-BOLT)
 to inhibit the latch and use the door freely.

Finish: /95

Art.	Qty
MAP121	1 Pc





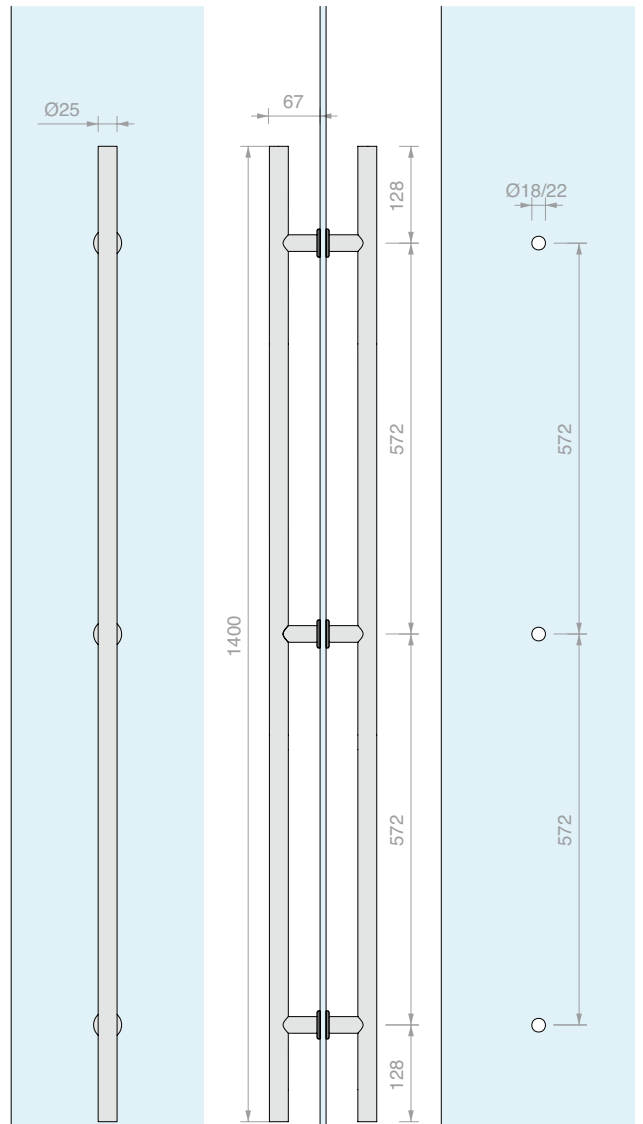
PULL HANDLES WITH CONCEALED LOCK

Material: AISI 304 stainless steel

Pull handle with a lock at the top of the bar which is locked by pressing the cylinder with the key inserted. Supplied with external lock. If an internal lock is required, specify at the time of ordering. Pin Ø8 x 15 mm.

Finish: /8 /15*

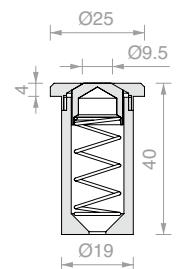
*on demand



Art.	Description	Key	For glass	Qty
ZSS1400	Pair of pull handles	Different	From 8 to 21.5 mm	1 Pc
ZMMS1400	Single pull handle	Different	From 8 to 21.5 mm	1 Pc
ZSS1400U	Pair of pull handles	Single	From 8 to 21.5 mm	1 Pc
ZMMS1400U	Single pull handle	Single	From 8 to 21.5 mm	1 Pc

DUSTPROOF SOCKET

Finish: /1 /3



Art.	Q.ty
GL7300	1 Pc



LOGLI is the official distributor of all PBA products. Certain solutions featuring the most commonly requested designs and functionalities are available for immediate delivery.

And any PBA product is available on demand.



SQUARE PULL HANDLES WITH CONCEALED LOCK

Material: AISI 316 L stainless steel

With 3 keys and floor dustproof socket.

Double fixing Art. PBAAD81 or single fixing Art. PBAAS11 on glass to be ordered separately

Different key.

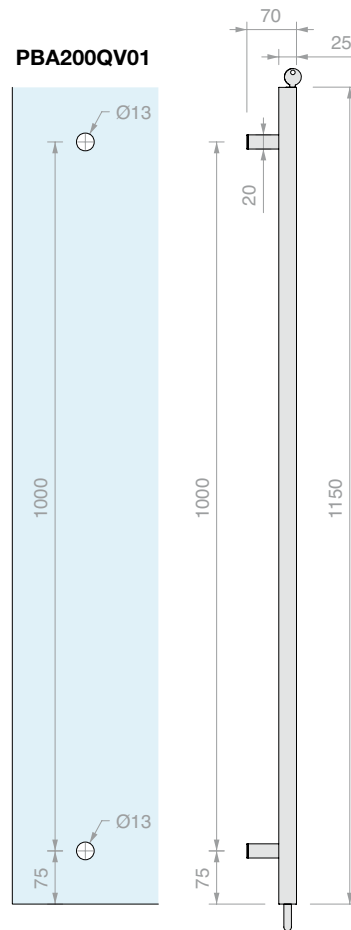
Pin Ø12 x 20 mm

Finish*: /8 /15

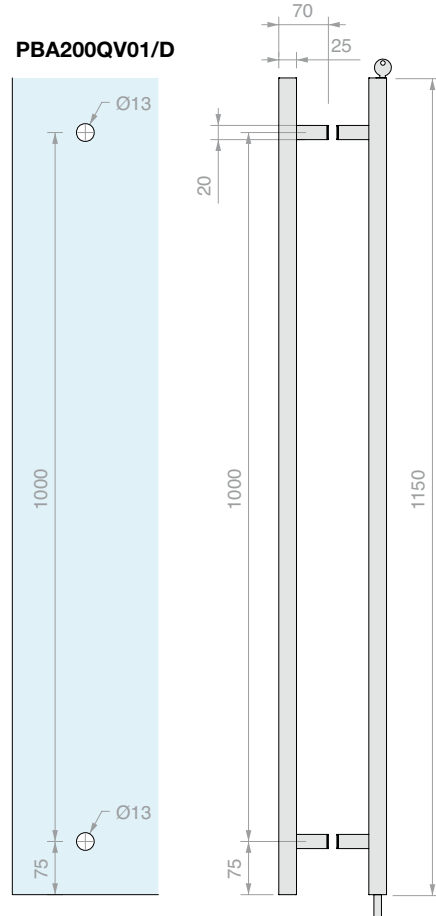
*/15 only on demand



PBA200QV01



PBA200QV01/D



Art.	Description	Locking	For glass	Qty
PBA200QV01	Single pull handle	Lower pin	From 8 to 17.5 mm	1 Pc
PBA200QV01/D	Pair of pull handles	Lower pin	From 8 to 17.5 mm	1 Pc

**PAIR OF SQUARE PULL HANDLES WITH FLUSH FRONT LOCK AND INTERNAL DOOR KNOB**

Material: AISI 316 L stainless steel

With 3 keys and floor dustproof socket.

Different key

Pin Ø12 x 20 mm

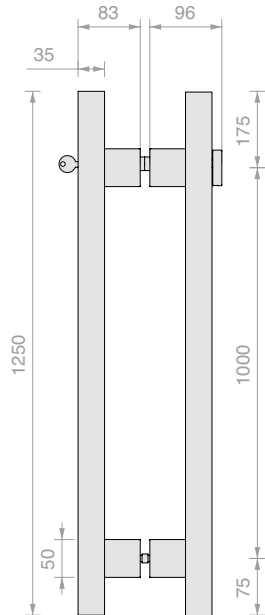
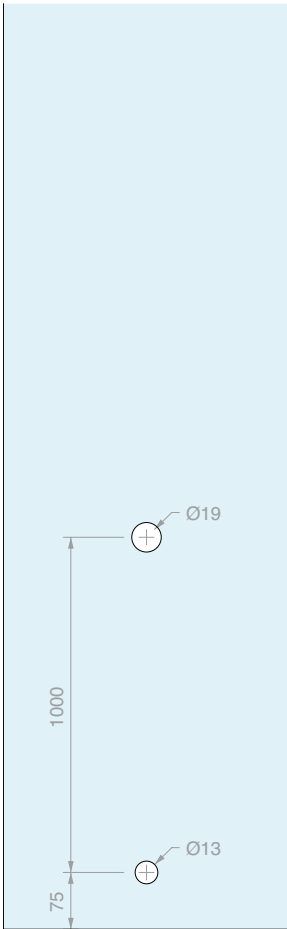
Finish*: /8 /15

*/15 only on demand

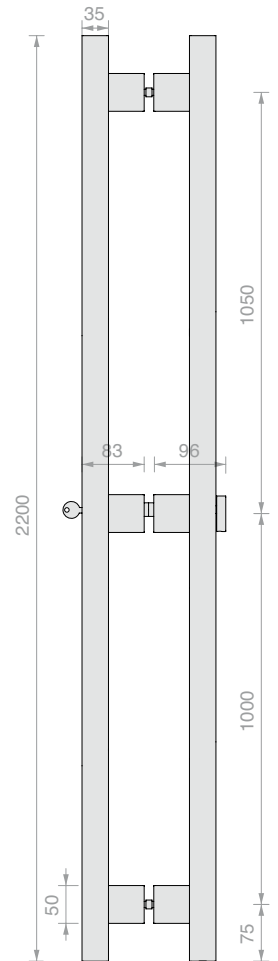
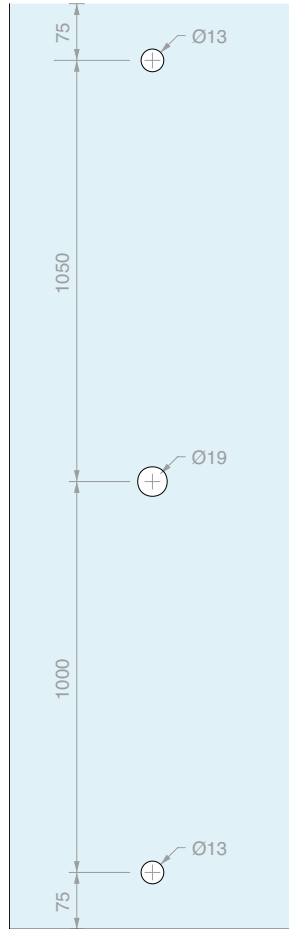
Art.	Length	Locking	For glass	Qty
PBA200QY02	1250 mm	Lower pin	From 8 to 17.5 mm	1 Pc
PBA200QY04	2200 mm	Lower pin	From 8 to 17.5 mm	1 Pc
PBA200QY04/A	customised	Lower pin	From 8 to 17.5 mm	1 Pc
PBA200QY06/A	customised	Upper and lower pin	From 8 to 17.5 mm	1 Pc



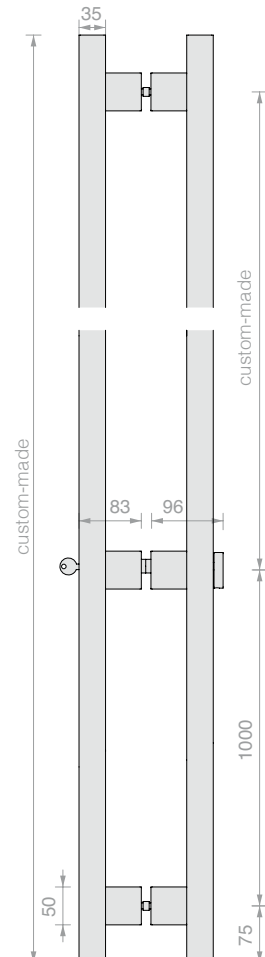
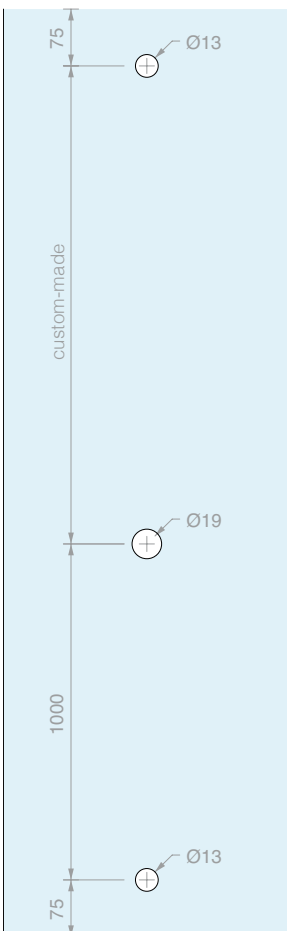
PBA200QY02



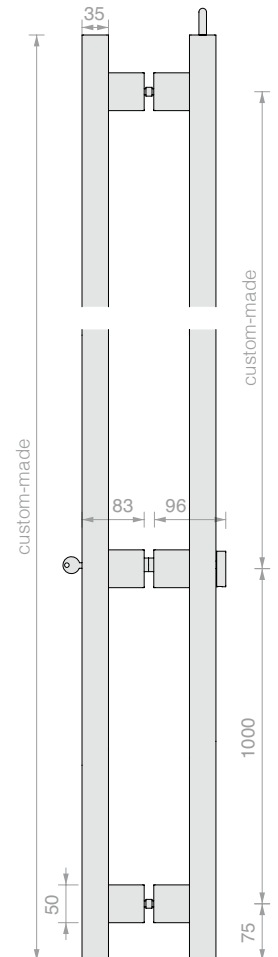
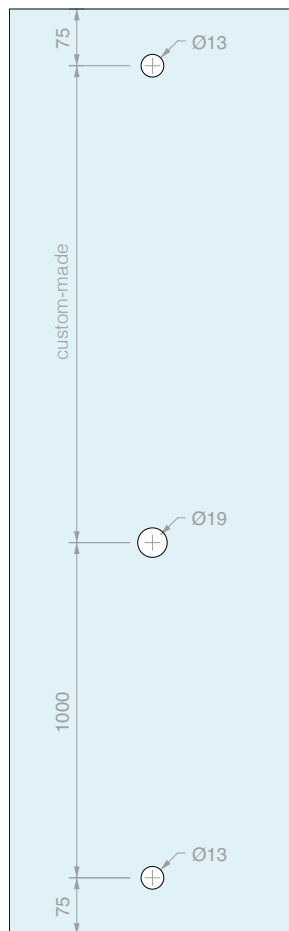
PBA200QY04



PBA200QY04/A



PBA200QY06/A



**PAIR OF ROUND PULL HANDLES WITH FLUSH FRONT LOCK AND INTERNAL DOOR KNOB**

Material: AISI 316 L stainless steel

With 3 keys and floor dustproof socket.

Different key

Pin Ø12 x 20 mm

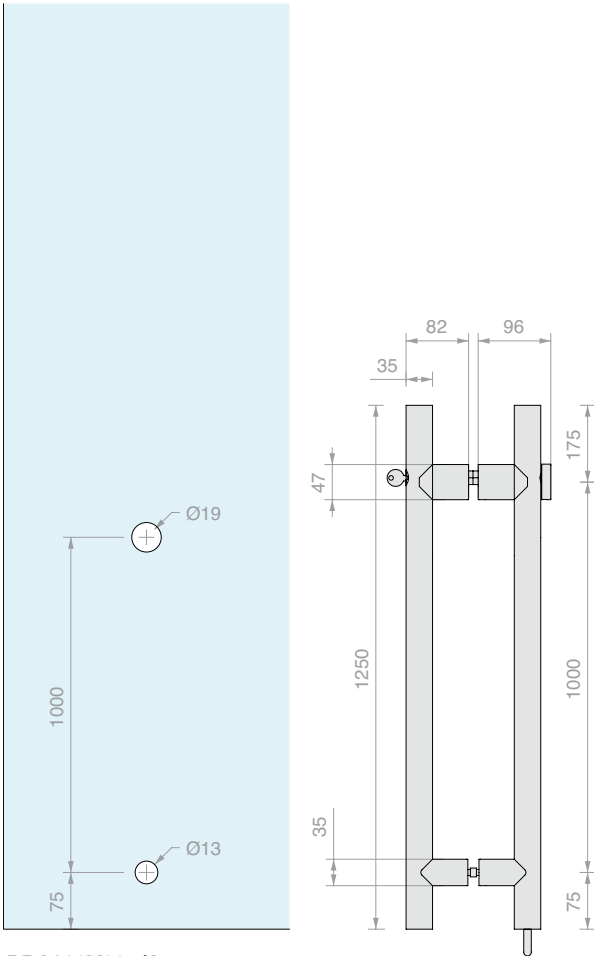
Finish*: /8 /15

*/15 only on demand

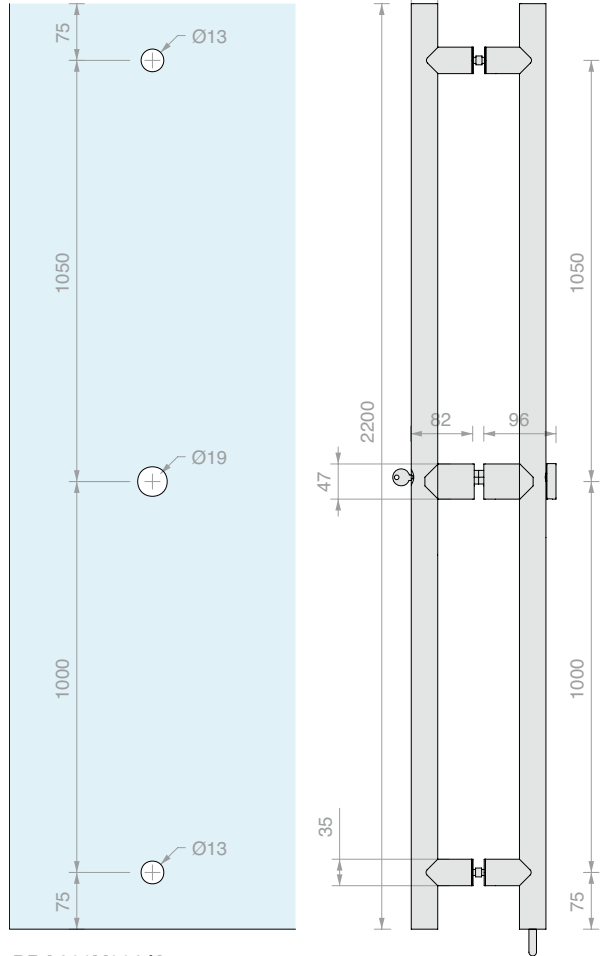
Art.	Length	Locking	For glass	Qty
PBA200Y002	1250 mm	Lower pin	From 8 to 17.5 mm	1 Pc
PBA200Y004	2200 mm	Lower pin	From 8 to 17.5 mm	1 Pc
PBA200Y004/A	customised	Lower pin	From 8 to 17.5 mm	1 Pc
PBA200Y006/A	customised	Upper and lower pin	From 8 to 17.5 mm	1 Pc



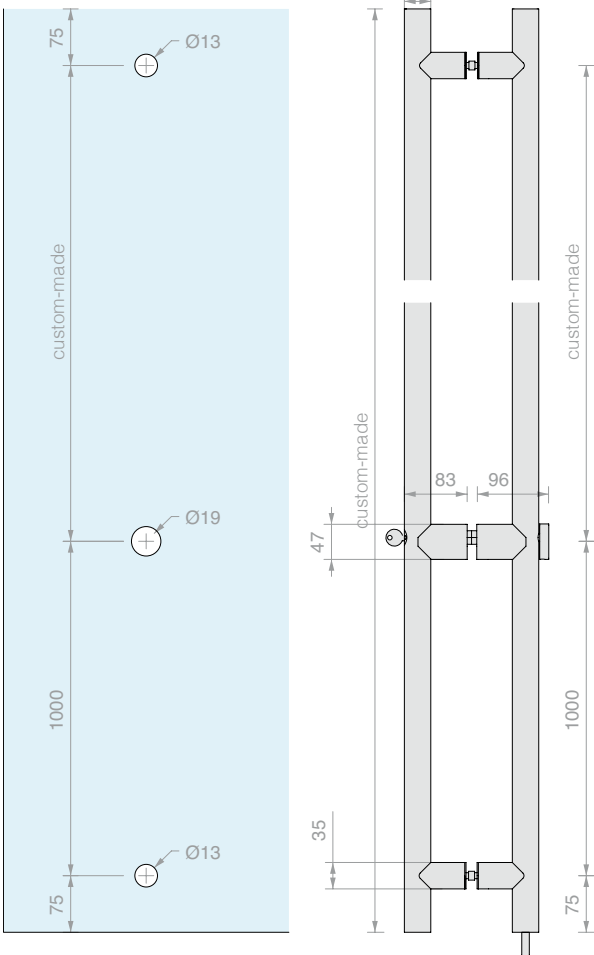
PBA200Y002



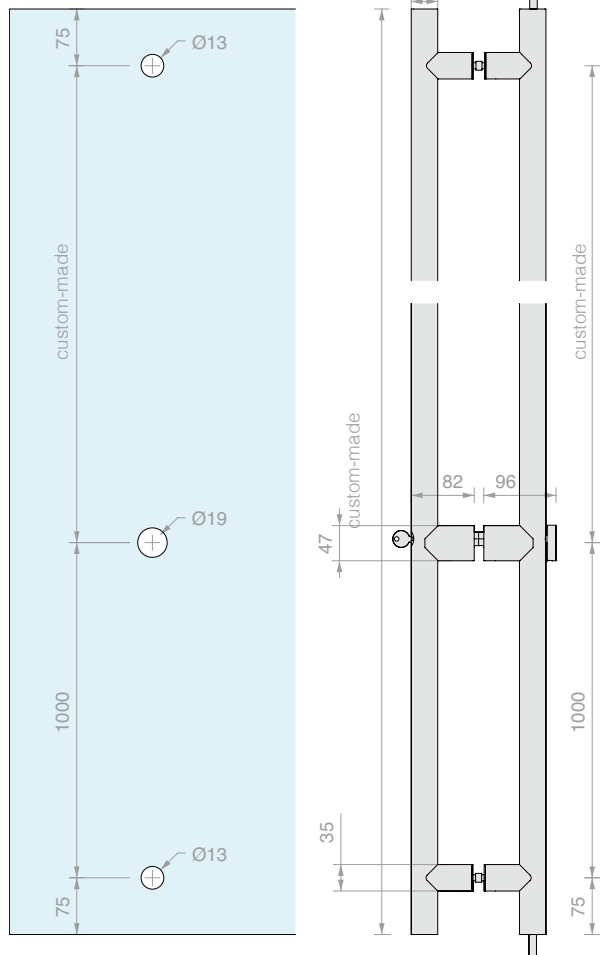
PBA200Y004



PBA200Y004/A



PBA200Y006/A



**PAIR OF ROUND PULL HANDLES WITH FLUSH FRONT LOCK AND INTERNAL DOOR KNOB**

Material: Aluminium

With 3 keys and floor dustproof socket.

Different key

Pin Ø12 x 20 mm

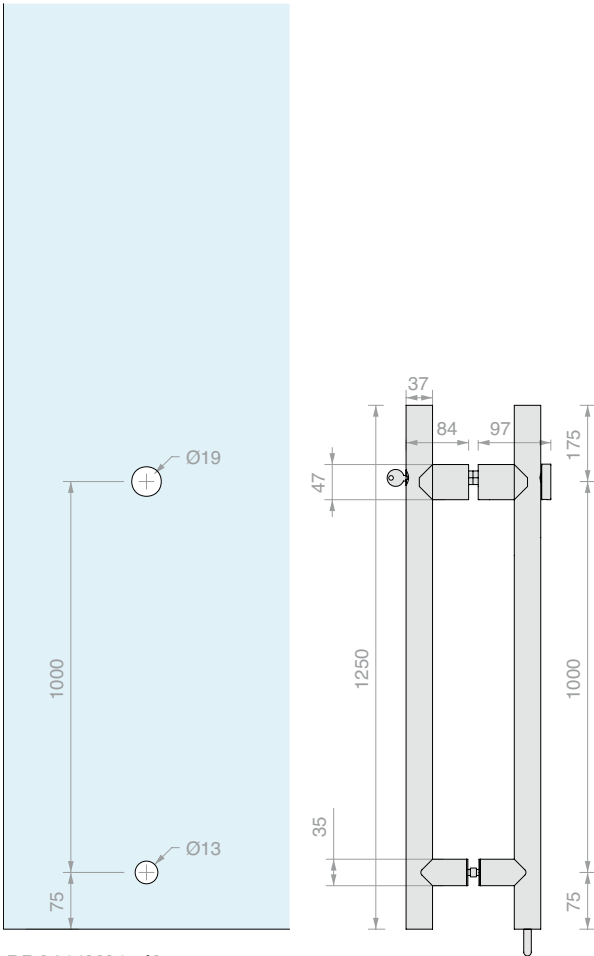
Finish*: /6 /66 /67 /97

*/66, /67 only on demand

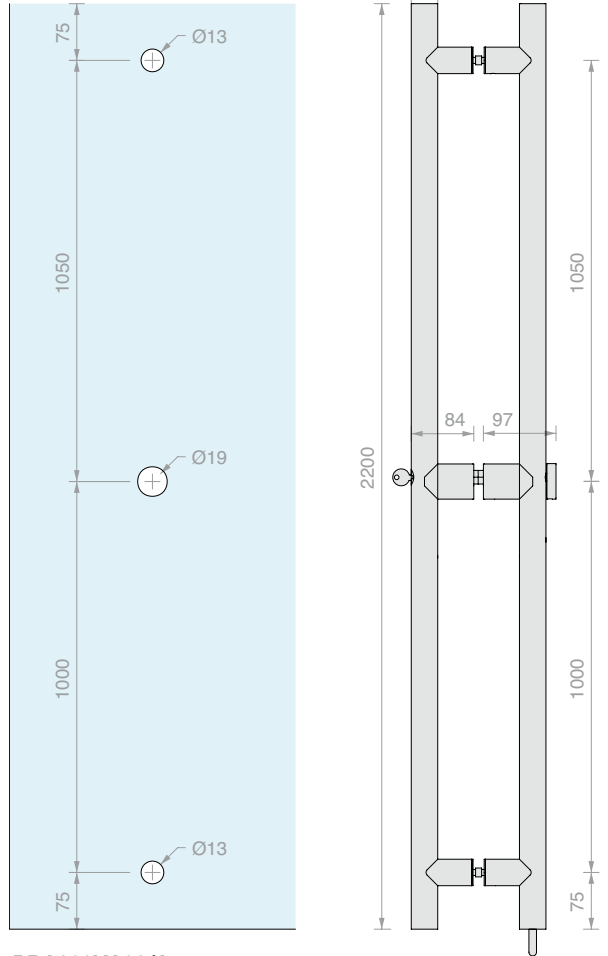
Art.	Length	Locking	For glass	Qty
PBA200YA02	1250 mm	Lower pin	From 8 to 17.5 mm	1 Pc
PBA200YA04	2200 mm	Lower pin	From 8 to 17.5 mm	1 Pc
PBA200YA04/A	customised	Lower pin	From 8 to 17.5 mm	1 Pc
PBA200YA06/A	customised	Upper and lower pin	From 8 to 17.5 mm	1 Pc



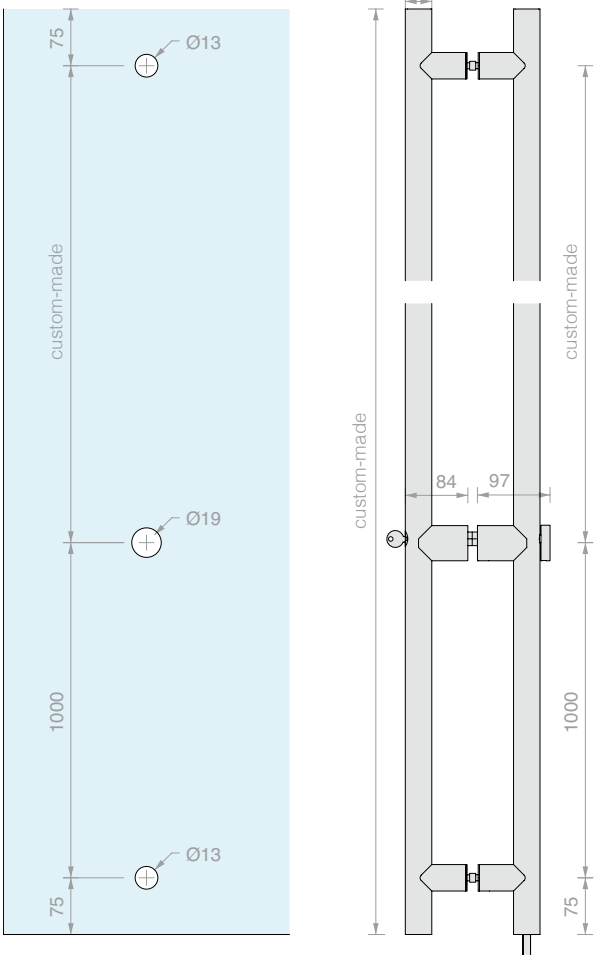
PBA200YA02



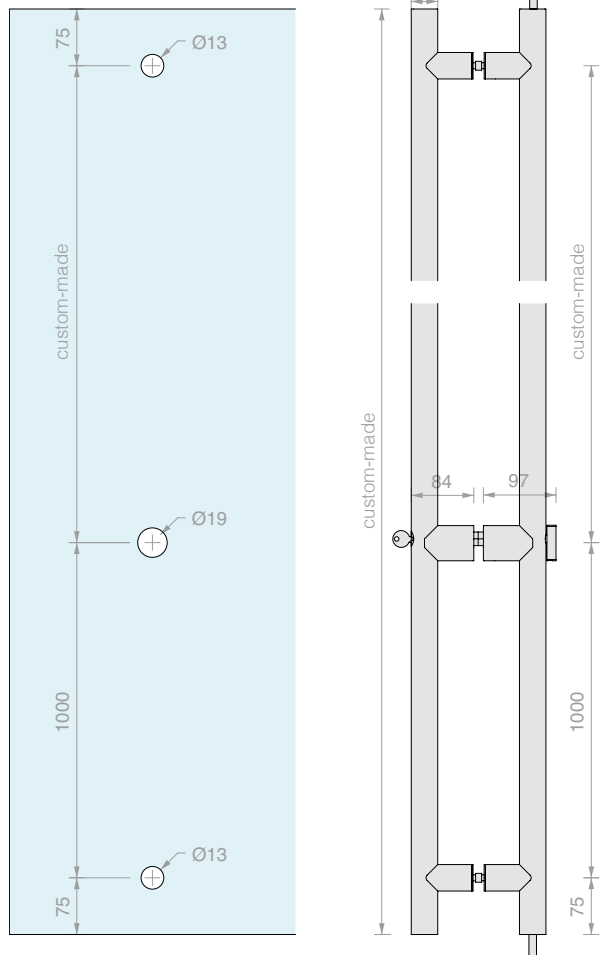
PBA200YA04



PBA200YA04/A



PBA200YA06/A





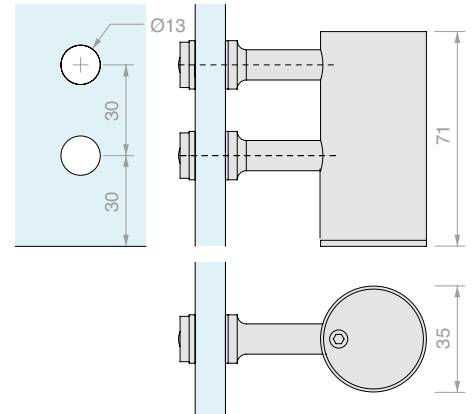
ROUND GLASS STRIKE PLATE

Material: AISI 316 L stainless steel

For PBA pull handles

Finish: /8 /15*

*on demand



Art.	For glass	Qty
PBA200CK	From 8 to 17.5 mm	1 Pc



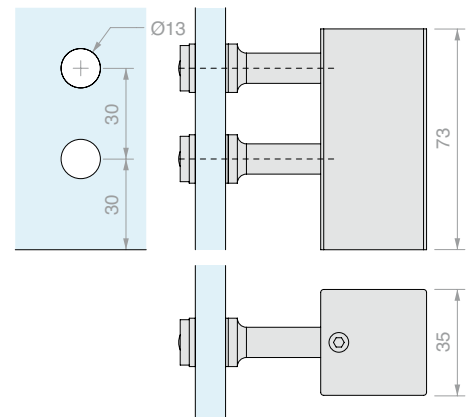
SQUARE UPPER GLASS STRIKE PLATE

Material: AISI 316 L stainless steel

For PBA pull handles

Finish: /8 /15*

*on demand



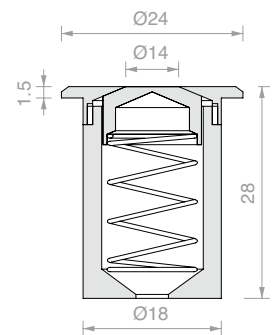
Art.	For glass	Qty
PBA200CKQ	From 8 to 17.5 mm	1 Pc



DUSTPROOF SOCKET

Material: Brass

Finish*: /95



Art.	Qty
PBA200CSK	1 Pc

**DOUBLE FIXING ON GLASS**

For pull handle PBA200QV01/D

Glass hole Ø13 mm

Art.

Qty

PBAAD81

1 Pc

**DOUBLE FIXING ON WOOD, ALUMINIUM AND PVC**

For pull handle PBA200QV01/D

Door hole Ø9 mm

Art.

Qty

PBA71

1 Pc

**SINGLE FIXING ON GLASS**

For pull handle PBA200QV01

Glass hole Ø13 mm

Finish*: /8 /15

*/15 only on demand

Art.

Qty

PBAAS11

1 Pc

**SINGLE BLIND FIXING ON WOOD, ALUMINIUM, PVC**

For pull handle PBA200QV01

Finish*: /8 /15

*/15 only on demand

Art.

Qty

PBA911

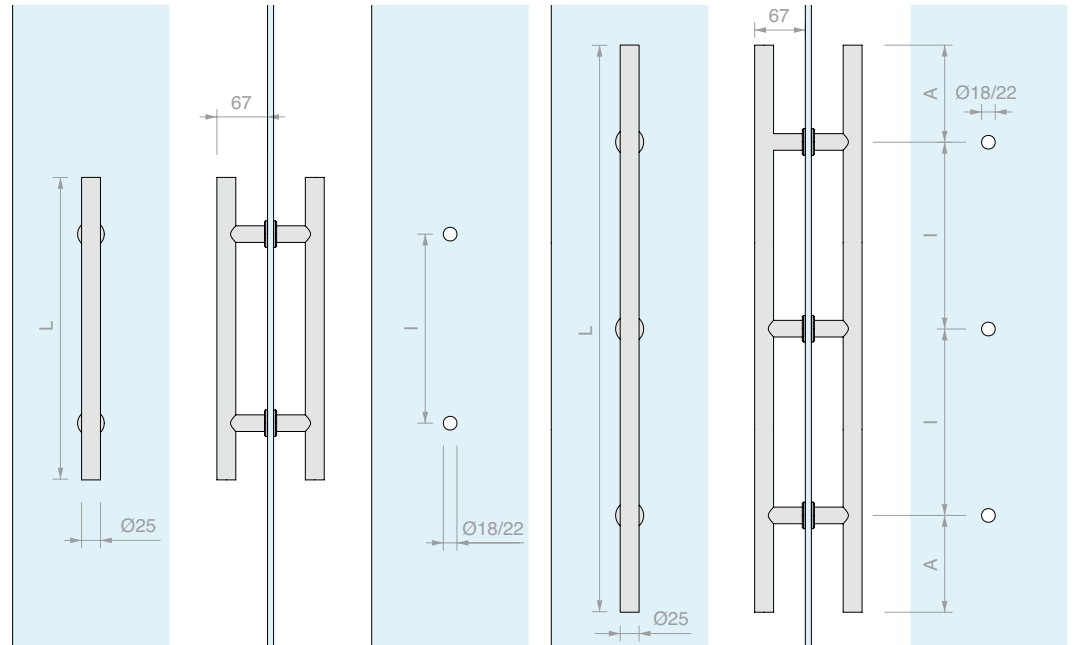
1 Pc



PAIR OF ROUND PULL HANDLES

Material: AISI 304 stainless steel

Finish: /8 - On demand: /15



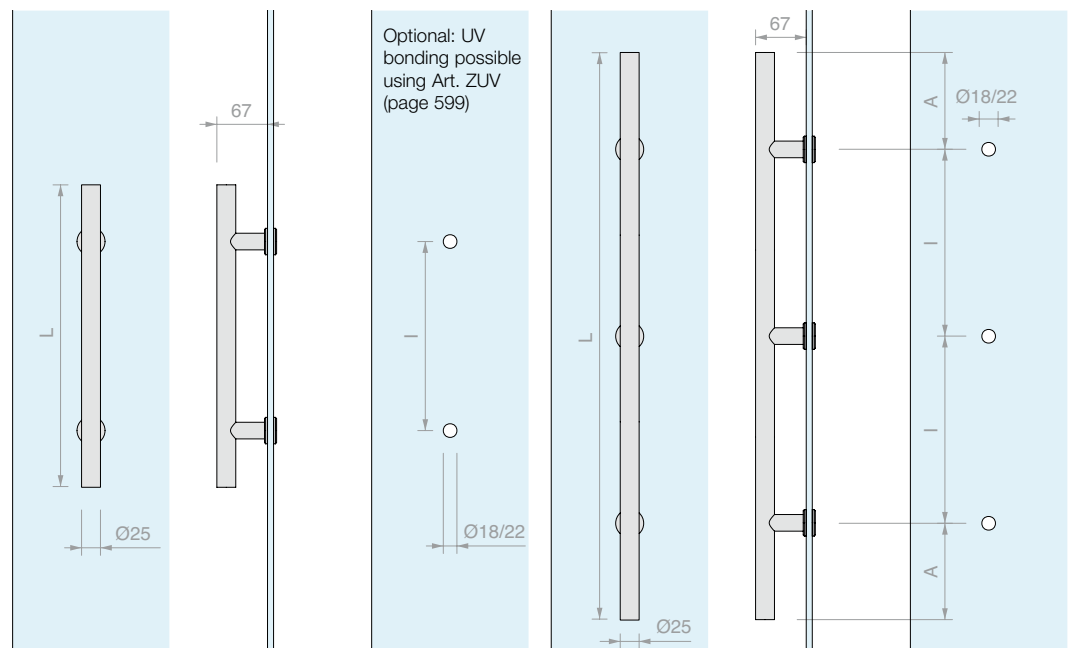
Art.	L	I	A	For glass	Qty
ZMT400	400 mm	250 mm		From 8 to 21.5 mm	1 Pc
ZMT500	500 mm	300 mm		From 8 to 21.5 mm	1 Pc
ZMT800	800 mm	400 mm		From 8 to 21.5 mm	1 Pc
ZMT1400	1400 mm	572 mm	128 mm	From 8 to 21.5 mm	1 Pc
ZMT2000	2000 mm	797 mm	203 mm	From 8 to 21.5 mm	1 Pc
ZMT/A	Customised				1 Pc

SINGLE ROUND PULL HANDLE

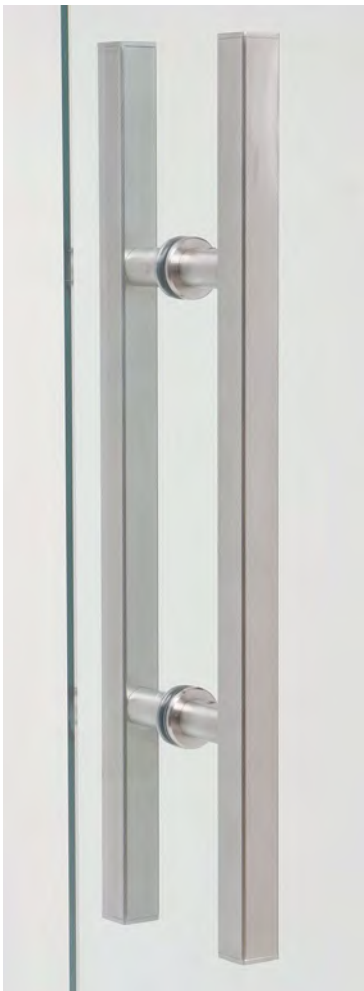
Material: AISI 304 stainless steel

Finish: /8 - On demand: /15

Recommended tool for tightening Art. UT250



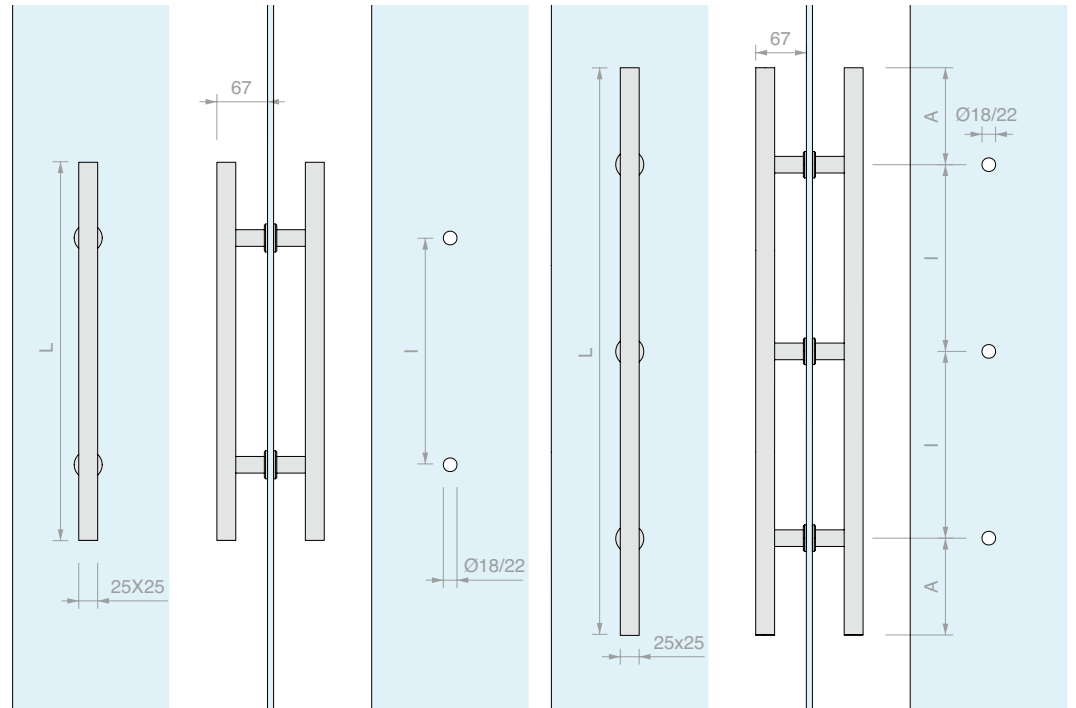
Art.	L	I	A	For glass	Qty
ZSIT400	400 mm	250 mm		From 8 to 21.5 mm	1 Pc
ZSIT500	500 mm	300 mm		From 8 to 21.5 mm	1 Pc
ZSIT800	800 mm	400 mm		From 8 to 21.5 mm	1 Pc
ZSIT1400	1400 mm	572 mm	128 mm	From 8 to 21.5 mm	1 Pc
ZSIT2000	2000 mm	797 mm	203 mm	From 8 to 21.5 mm	1 Pc
ZSIT	Customised				1 Pc



PAIR OF SQUARE PULL HANDLES

Material: AISI 304 stainless steel

Finish: /8 - On demand: /15



Art.	L	l	A	For glass	Qty
ZQUA500	500 mm	300 mm		From 8 to 21.5 mm	1 Pc
ZQUA800	800 mm	400 mm		From 8 to 21.5 mm	1 Pc
ZQUA1400	1400 mm	572 mm	128 mm	From 8 to 21.5 mm	1 Pc
ZQUA/A	Customised				1 Pc

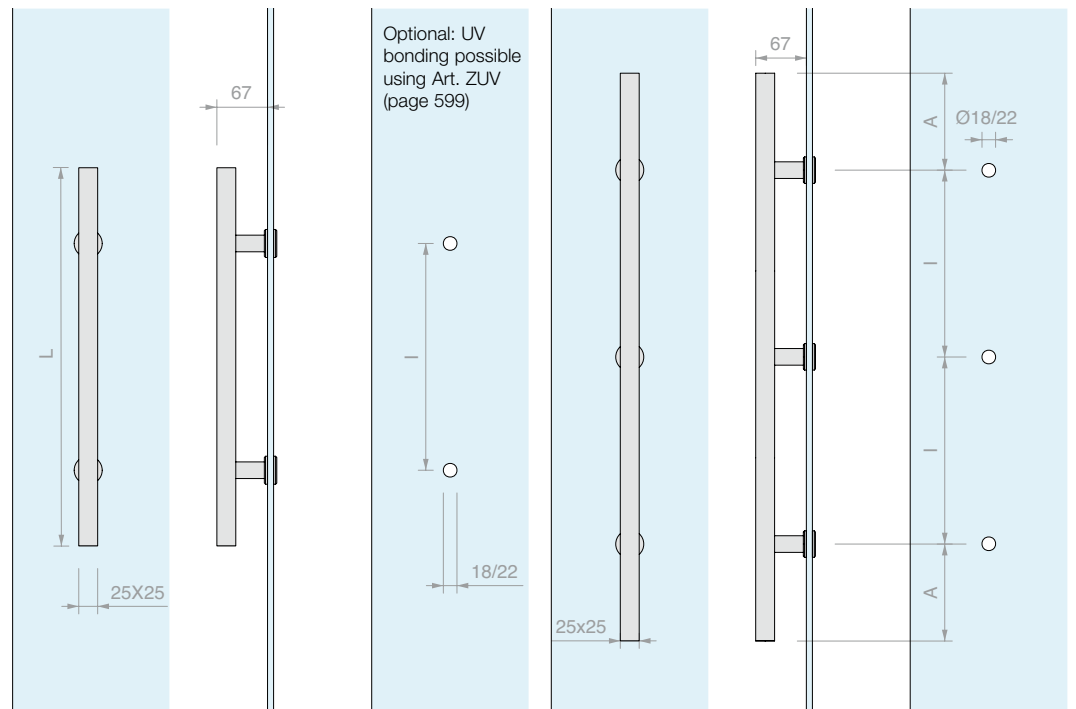


SINGLE SQUARE PULL HANDLE

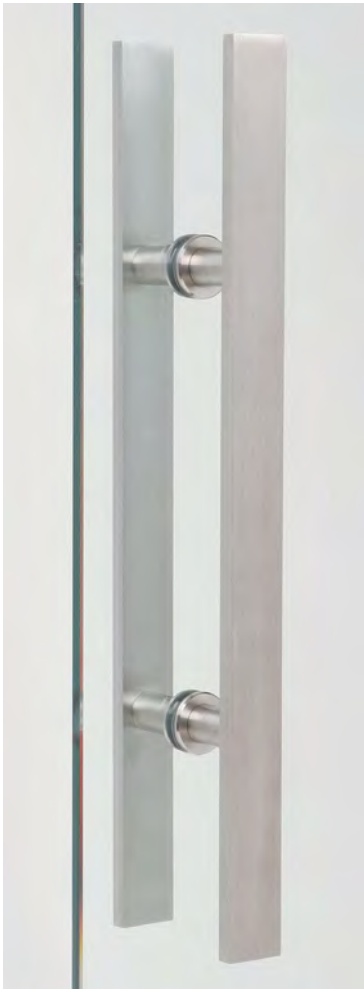
Material: AISI 304 stainless steel

Finish: /8 - On demand: /15

Recommended tool for tightening Art. UT250



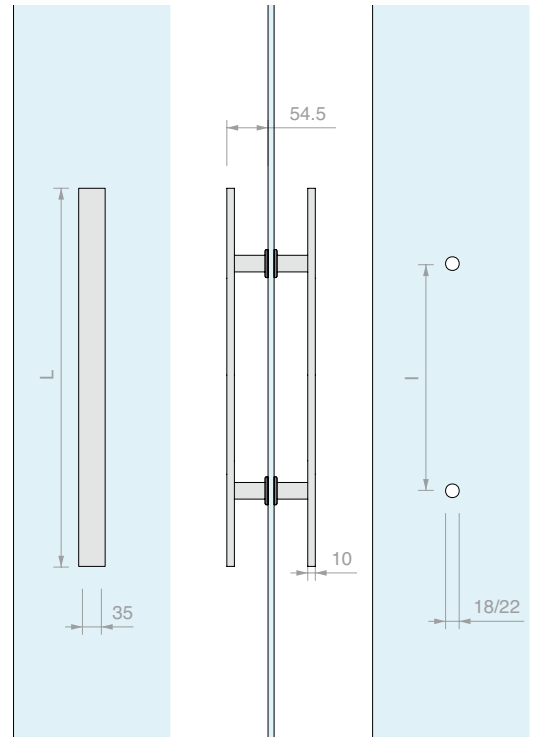
Art.	L	l	A	For glass	Qty
ZSIQ500	500 mm	300 mm		From 8 to 21.5 mm	1 Pc
ZSIQ800	800 mm	400 mm		From 8 to 21.5 mm	1 Pc
ZSIQ1400	1400 mm	572 mm	128 mm	From 8 to 21.5 mm	1 Pc
ZSIQ/A	Customised				1 Pc



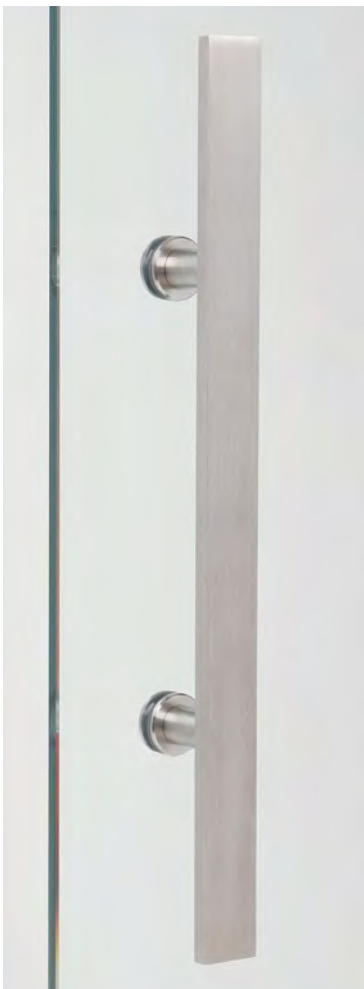
PAIR OF FLAT PULL HANDLES

Material: AISI 304 stainless steel

Finish: /8 - On demand: /15



Art.	L	I	For glass	Qty
ZPI500	500 mm	300 mm	From 8 to 21.5 mm	1 Pc
ZPI800	800 mm	400 mm	From 8 to 21.5 mm	1 Pc
ZPI/A	Customised			1 Pc

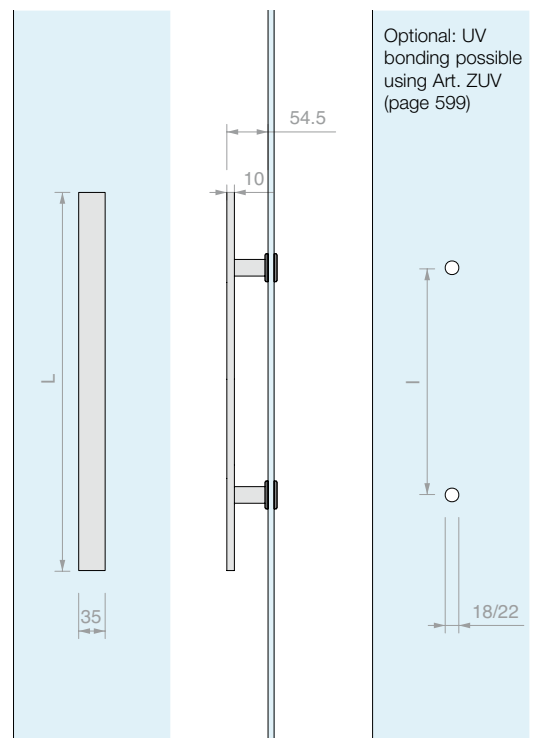


SINGLE FLAT PULL HANDLE

Material: AISI 304 stainless steel

Finish: /8 - On demand: /15

Recommended tool for tightening Art. UT250



Art.	L	I	For glass	Qty
ZSIP500	500 mm	300 mm	From 8 to 21.5 mm	1 Pc
ZSIP800	800 mm	400 mm	From 8 to 21.5 mm	1 Pc
ZSIP/A	Customised			1 Pc

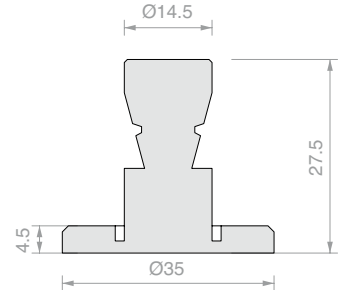


**UV BONDING FIXING
FOR Z SERIES SINGLE PULL HANDLES**

Material: AISI 304 steel

Finish: /9

It is recommended to fit the ZUV fixings on the pull handle before proceeding with the bonding



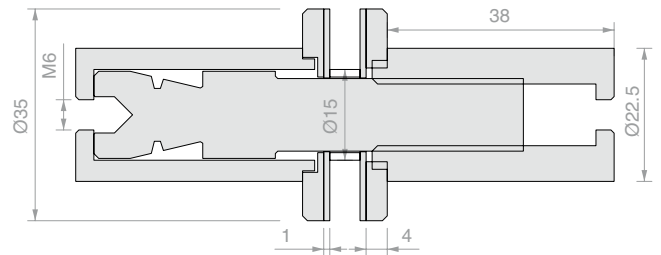
Art.	Qty
ZUV	1 Pc



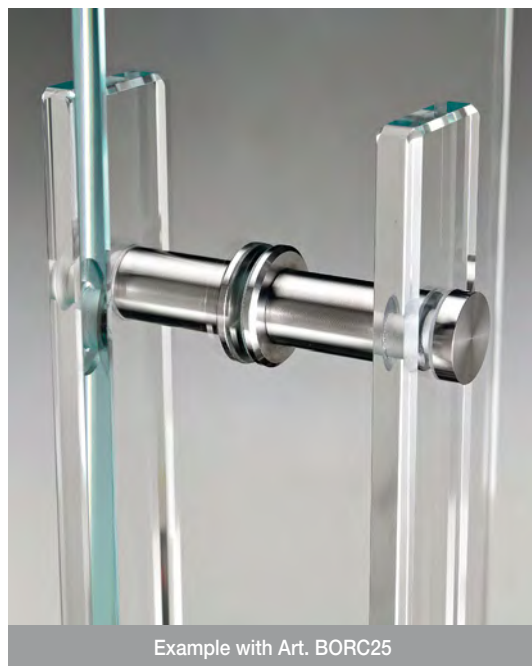
FLAT FIXING FOR PULL HANDLES

Material: AISI 304 steel

Finish: /8



Art.	For glass	Qty
ZATT	From 8 to 21.5 mm	1 Pc



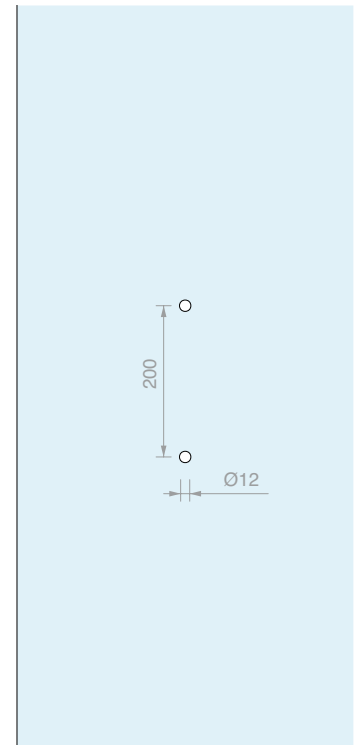
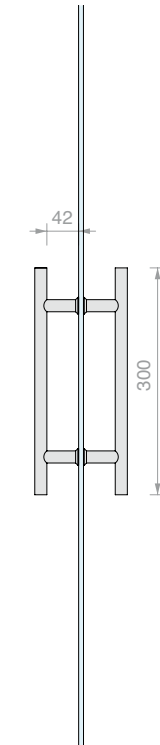
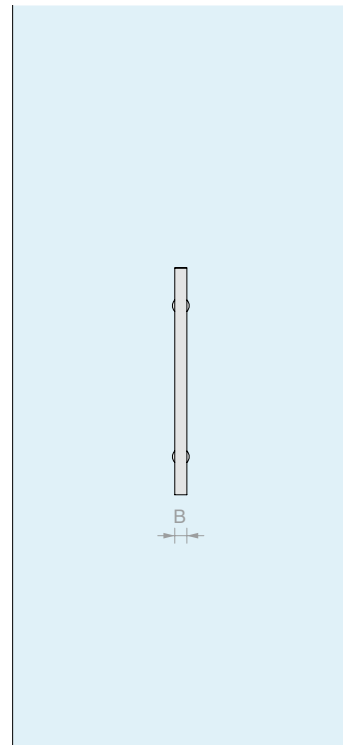


PAIR OF ROUND PULL HANDLES

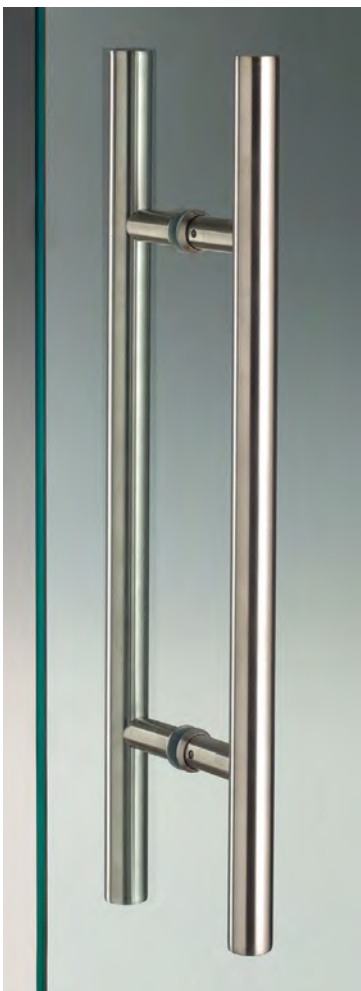
Material: AISI 304 stainless steel

Finish: /8 /15

For greater thicknesses, replace the internal countersunk screws.



Art.	B	For glass	Qty
MN1620	Ø16 mm	From 6 to 17.5 mm	1 Pc
MN2020	Ø20 mm	From 6 to 17.5 mm	1 Pc

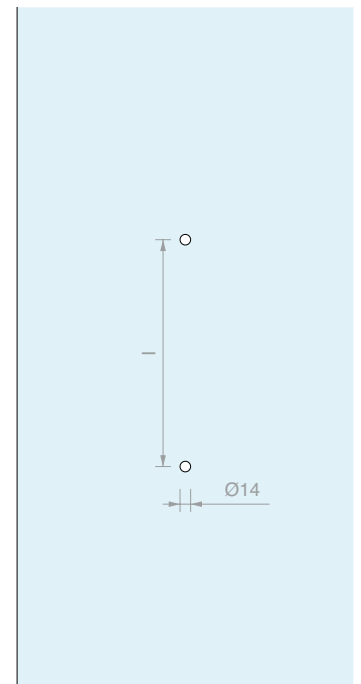
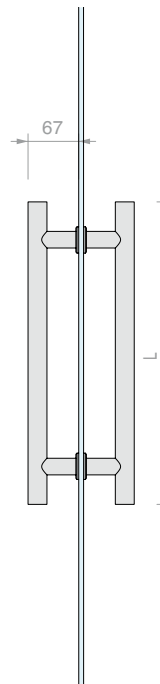
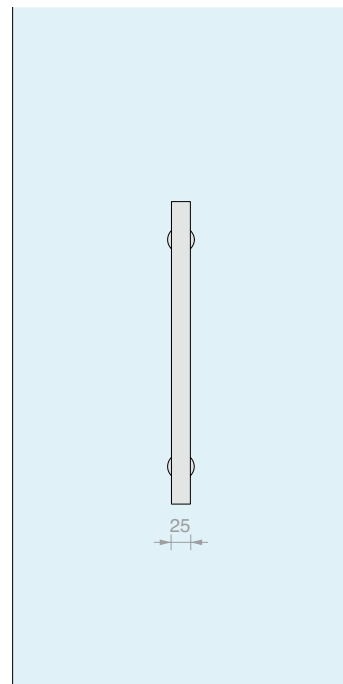


PAIR OF ROUND PULL HANDLES

Material: AISI 304 stainless steel

Finish: /8 /15 /R2

For greater thicknesses, replace the internal countersunk screws.



Art.	L	I	For glass	Qty
MN25300	300 mm	200 mm	From 6 to 21.5 mm	1 Pc
MN25400	400 mm	250 mm	From 6 to 21.5 mm	1 Pc
MN25500	500 mm	300 mm	From 6 to 21.5 mm	1 Pc
MN25800	400 mm	200 mm	From 6 to 21.5 mm	1 Pc

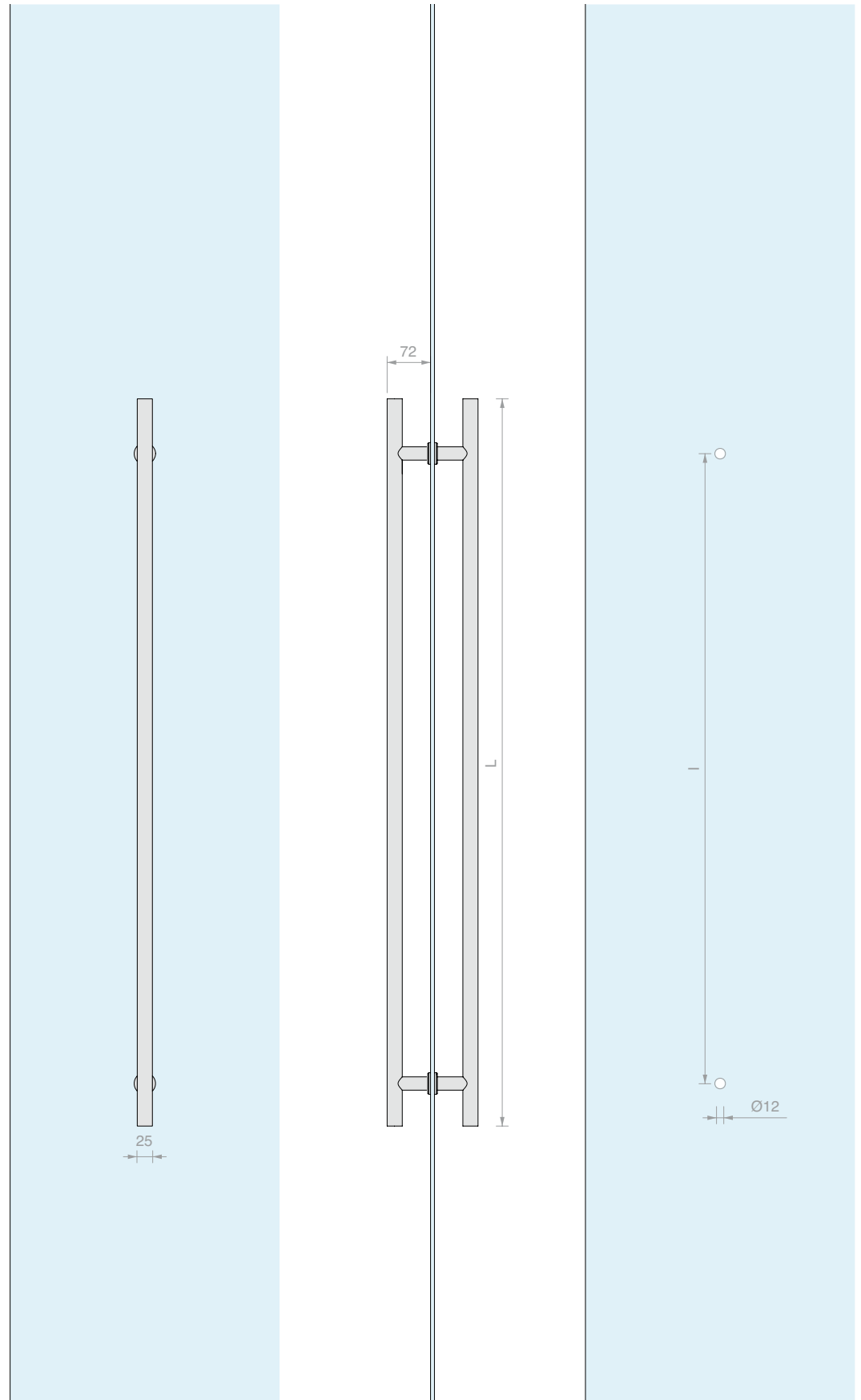


PAIR OF ROUND PULL HANDLES

Material: AISI 304 stainless steel

Finish: /8 /15 /R2

For greater thicknesses, replace the internal countersunk screws.



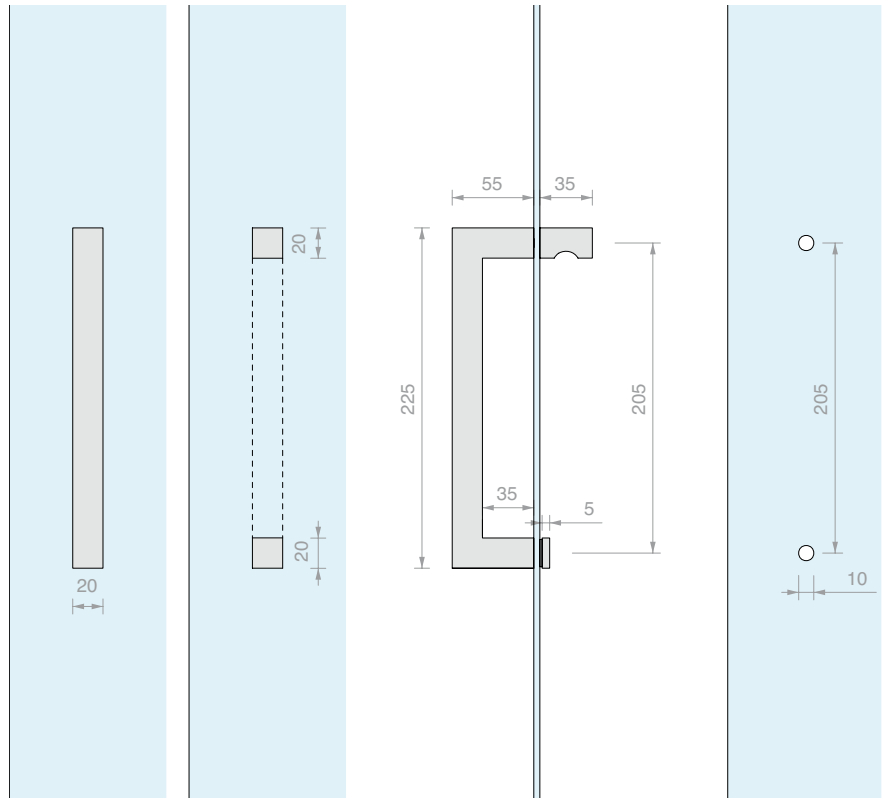
Art.	L	I	For glass	Qty
MN25850	850 mm	650 mm	From 6 to 17.5 mm	1 Pc
MN251200	1200 mm	1040 mm	From 6 to 17.5 mm	1 Pc



SINGLE SQUARE PULL HANDLE WITH DOOR KNOB

Material: AISI 304 stainless steel + zamak

Finish: /15 - Door knob and finishing screw: /1



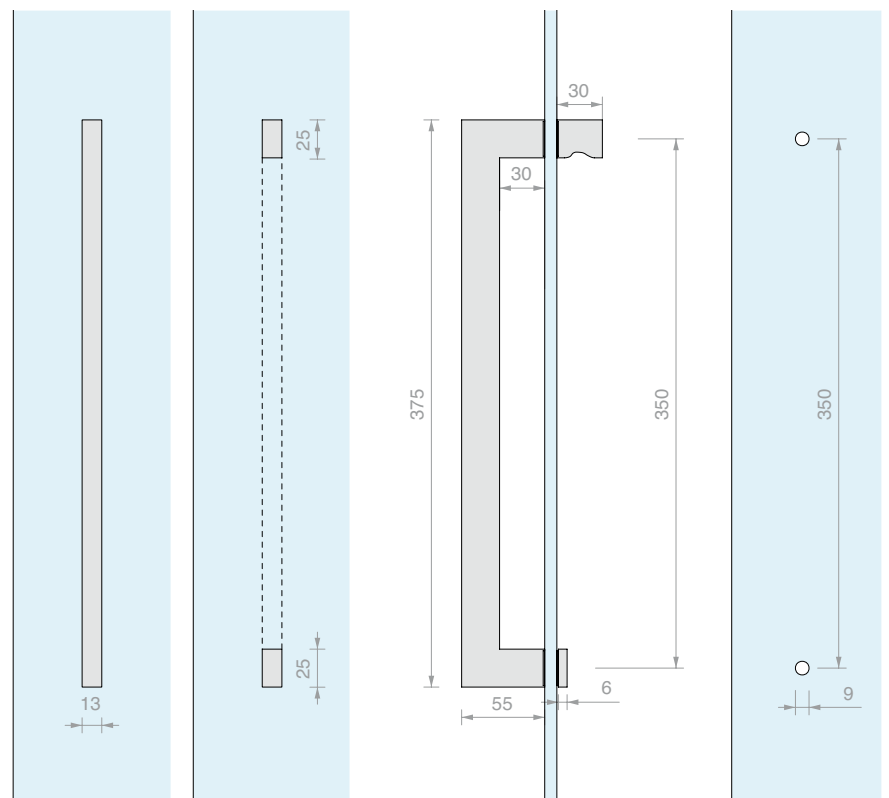
Art.	For glass	Qty
PMAN90	From 6 to 8 mm	1 Pc



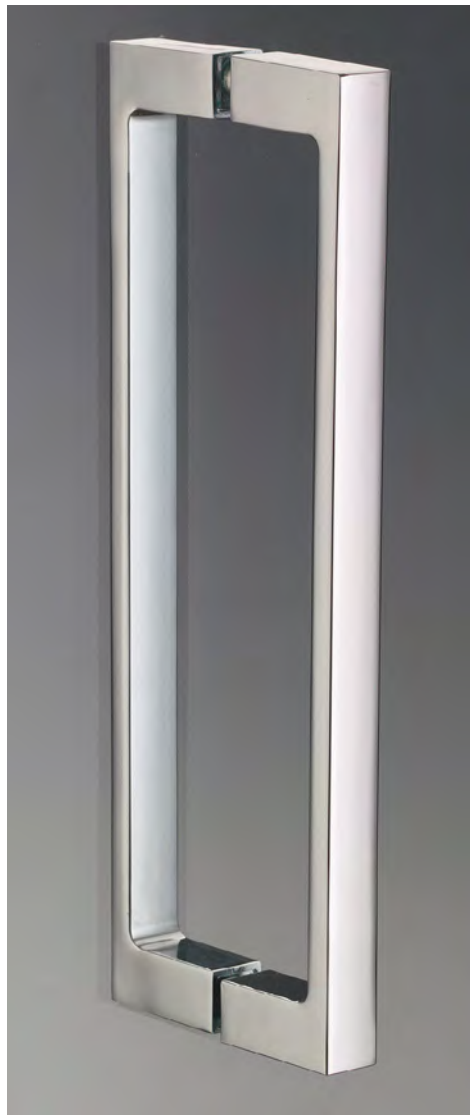
SINGLE FLAT PULL HANDLE WITH DOOR KNOB

Material: AISI 304 stainless steel + zamak

Finish: /15 - Door knob and finishing screw: /1



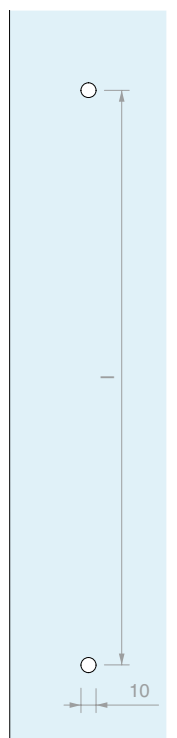
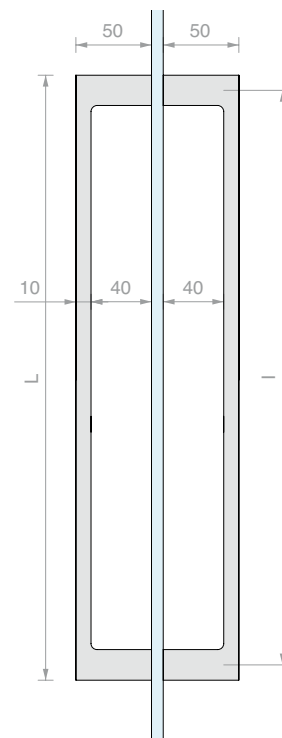
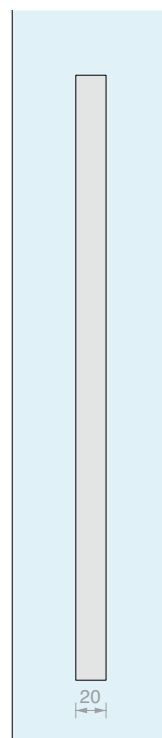
Art.	For glass	Qty
PMAN1131	From 6 to 8 mm	1 Pc



FLAT C-SHAPED PULL HANDLES

Material: Zamak

Finish: /1 /2 /4 /24 /R2



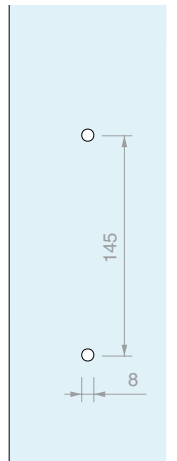
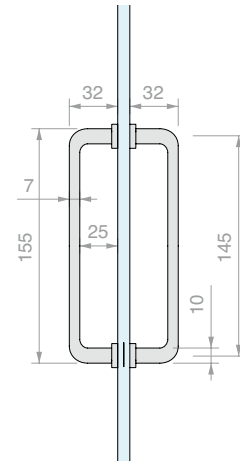
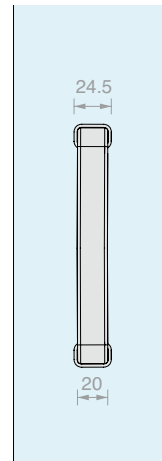
Art.	L	I	For glass	Qty
PMAN1340	400 mm	380 mm	From 6 to 10 mm	1 Pc
PMAN1332	300 mm	280 mm	From 6 to 10 mm	1 Pc
PMAN1322	200 mm	180 mm	From 6 to 10 mm	1 Pc



PAIR OF FLAT C-SHAPED PULL HANDLES

Material: Zamak

Finish: /1 /24



Art.

PMAN1530

For glass

From **6** to **8** mm

Qty

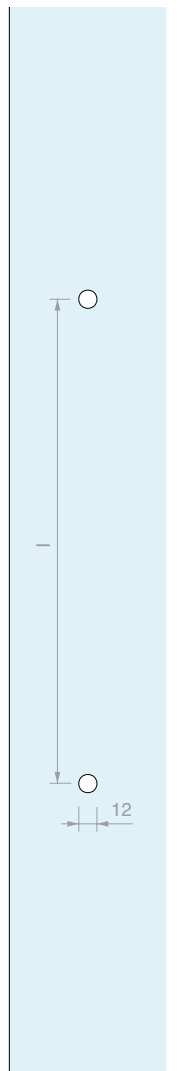
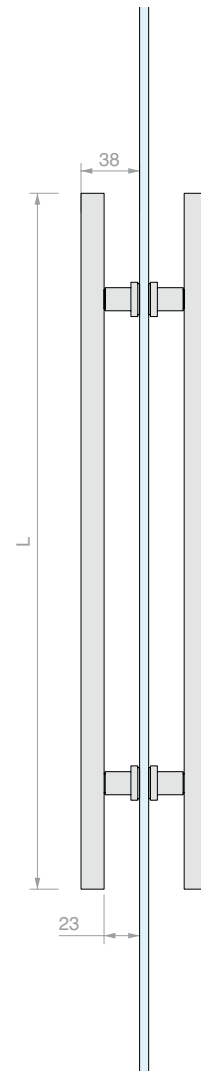
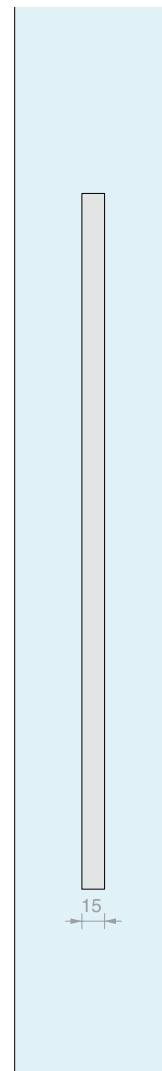
1 Pc



PAIR OF SQUARE PULL HANDLES

Material: Aluminium

Finish: /88 /91 /97



Art.

LM320

LM224

LM128

L

460 mm

310 mm

200 mm

l

320 mm

224 mm

128 mm

For glass

From **6** to **12** mm

From **6** to **12** mm

From **6** to **12** mm

Qty

1 Pc

1 Pc

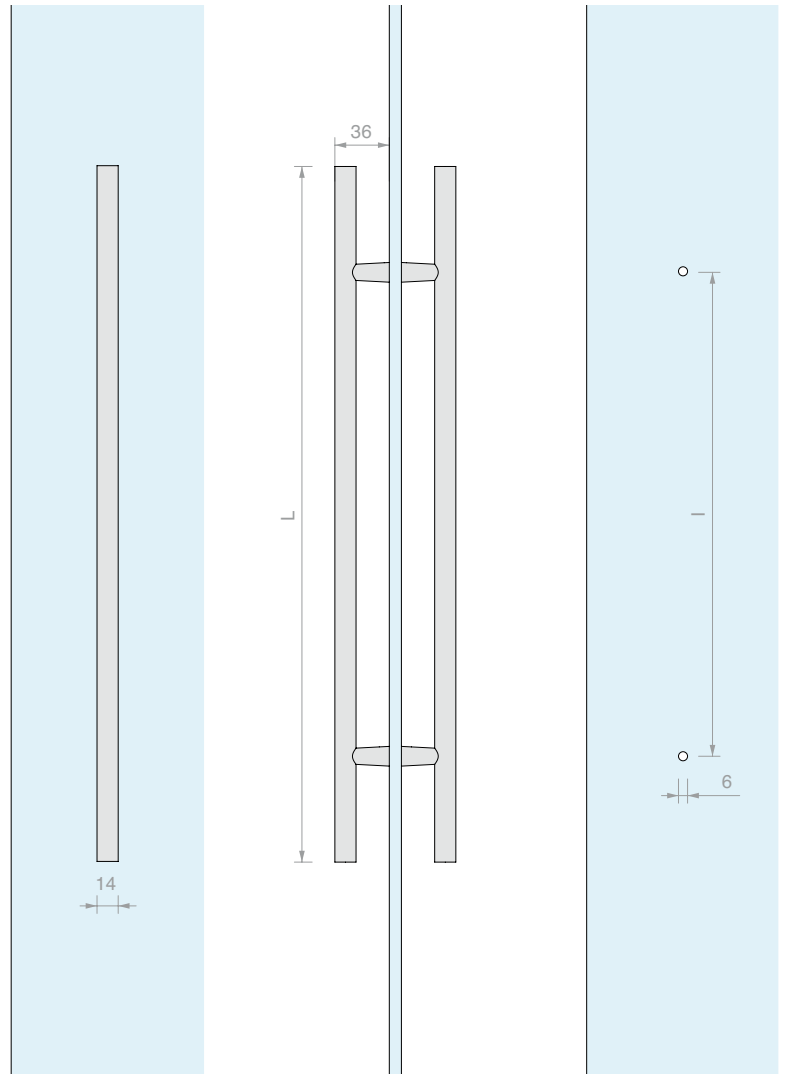
1 Pc



PAIR OF ROUND PULL HANDLES

Material: Aluminium or brass depending on the selected finish

Finish: /1 /3 /97



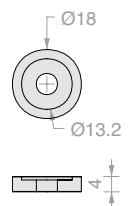
Art.	L	l	For glass	Qty
PM1	460 mm	320 mm	6/8 mm - 10/12 mm with the addition of Art. PM4	1 Pc
PM2	310 mm	224 mm	6/8 mm - 10/12 mm with the addition of Art. PM4	1 Pc
PM3	200 mm	128 mm	6/8 mm - 10/12 mm with the addition of Art. PM4	1 Pc



4 ADDITIONAL WASHERS FOR INCREASING BASE PLATE

Material: Zamak

Finish: /1 /3



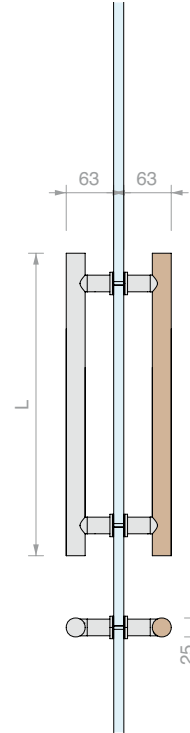
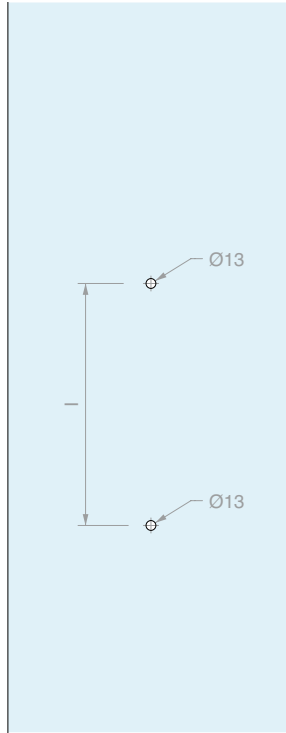
Art.	Q.ty
PM4	1 Pc



PAIR OF ROUND WOOD PULL HANDLES

Material: AISI 304 stainless steel, wood

Finish: /8 /15



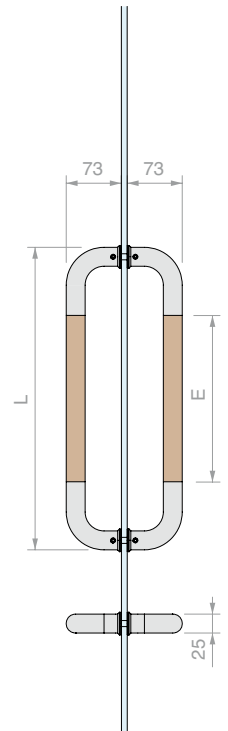
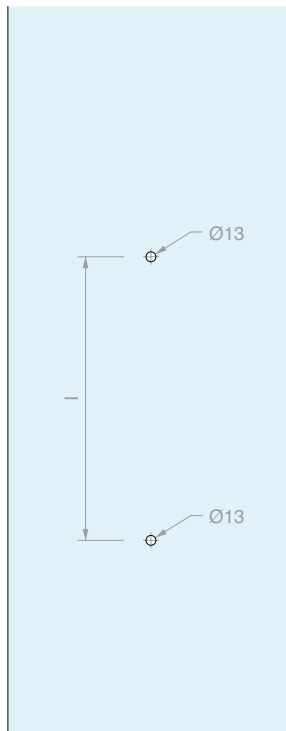
Art.	L	I	Type	For glass	Qty
MNTL25300	300 mm	220 mm	Beech	From 8 to 13.5 mm	1 Pc
MNTL25400	400 mm	320 mm	Beech	From 8 to 13.5 mm	1 Pc



PAIR OF ROUND WOOD C-SHAPED HANDLES

Material: AISI 304 stainless steel, wood

Finish: /8 /15



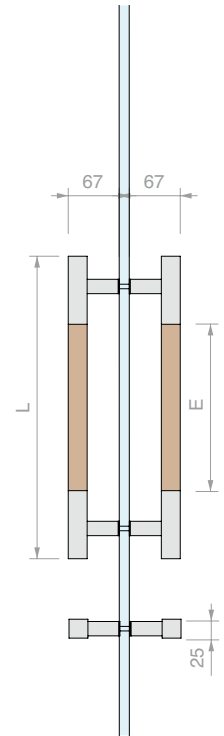
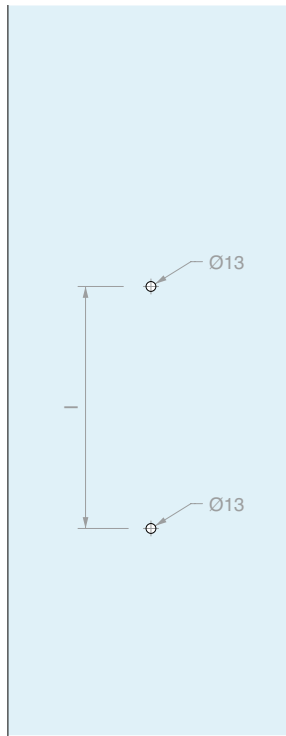
Art.	L	I	E	Type	For glass	Qty
MNTLAC25300	300 mm	275 mm	120 mm	Beech	From 8 to 13.5 mm	1 Pc
MNTLAC25400	400 mm	375 mm	220 mm	Beech	From 8 to 13.5 mm	1 Pc



PAIR OF SQUARE WOOD PULL HANDLES

Material: AISI 304 stainless steel, wood

Finish: /8 /15



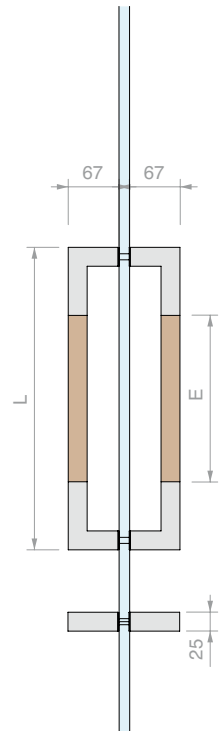
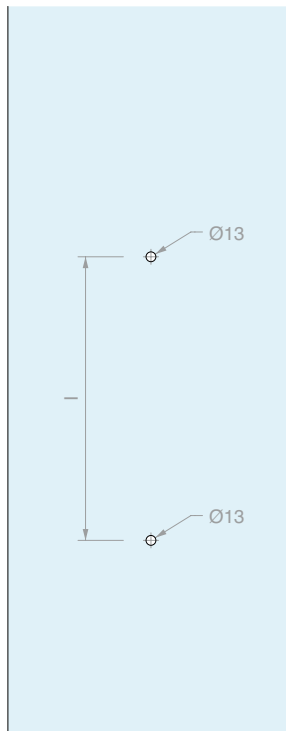
Art.	L	I	E	Type	For glass	Qty
MNQL25300	300 mm	220 mm	120 mm	Beech	From 8 to 13.5 mm	1 Pc
MNQL25400	400 mm	320 mm	220 mm	Beech	From 8 to 13.5 mm	1 Pc



PAIR OF SQUARE WOOD C-SHAPED PULL HANDLES

Material: AISI 304 stainless steel, wood

Finish: /8 /15



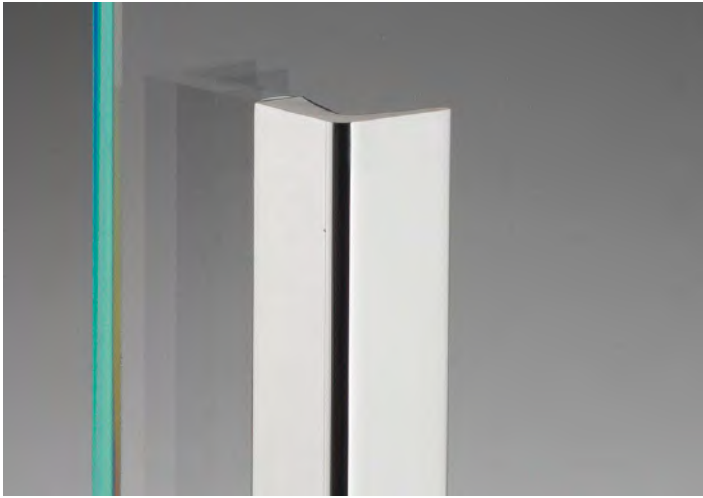
Art.	L	I	E	Type	For glass	Qty
MNQLAC25300	300 mm	275 mm	120 mm	Beech	From 8 to 13.5 mm	1 Pc
MNQLAC25400	400 mm	375 mm	220 mm	Beech	From 8 to 13.5 mm	1 Pc



HANDLES WITH VHB FIXING

SURFACE PREPARATION

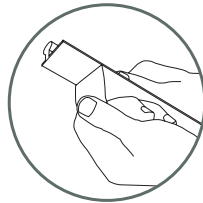
To ensure the best possible adhesion, the surface where the handle will be applied must be cleaned with the wipe provided (included in the kit), dry and at ambient temperature (minimum 21°C - maximum 38°C). Heptane or isopropyl alcohol and water can also be used as cleaning solvents. After having removed the protective tab from the two-sided tape strip, apply firm pressure between the handle and the support. The joint is 90% set after one day and will be fully set after 72 hours. To further increase the bond on surfaces in contact with water, heat the area to 70°C for around one hour.



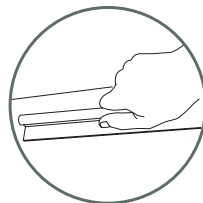
clean with solvent



dry with a wipe



Remove the protective film and apply, pressing firmly



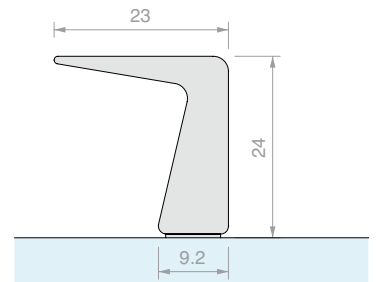
Press firmly



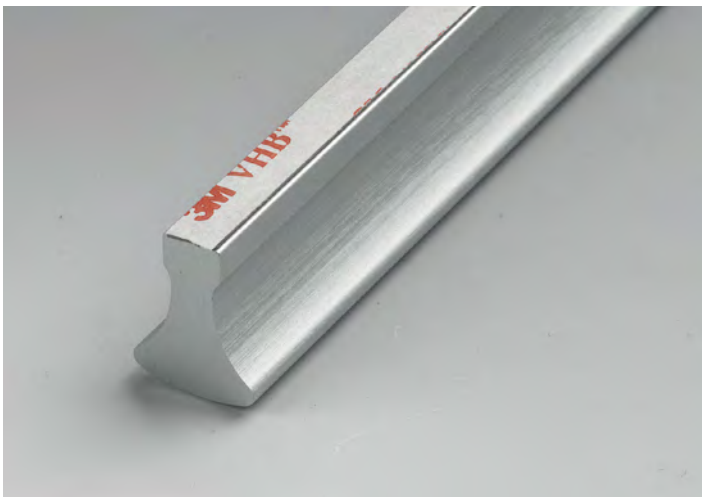
HANDLE FOR SLIDING DOORS WITH VHB FIXING 400

Material: Aluminium

Finish: /91 /97



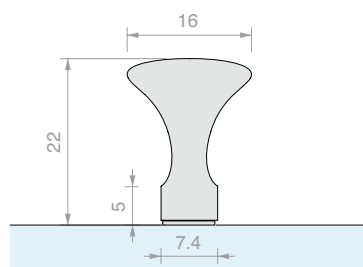
Art.	Length	Qty
MAN400V160	240 mm	1 Pc
MAN400V320	390 mm	1 Pc
MAN400V448	540 mm	1 Pc



HANDLE FOR SLIDING DOORS WITH VHB FIXING 401

Material: Aluminium

Finish: /91 /97



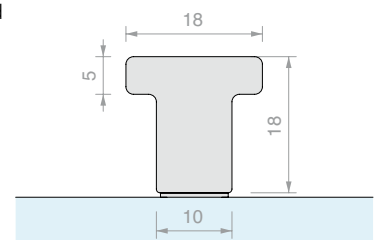
Art.	Length	Qty
MAN401V160	240 mm	1 Pc
MAN401V320	390 mm	1 Pc
MAN401V448	540 mm	1 Pc

HANDLE FOR SLIDING DOORS WITH VHB FIXING 412

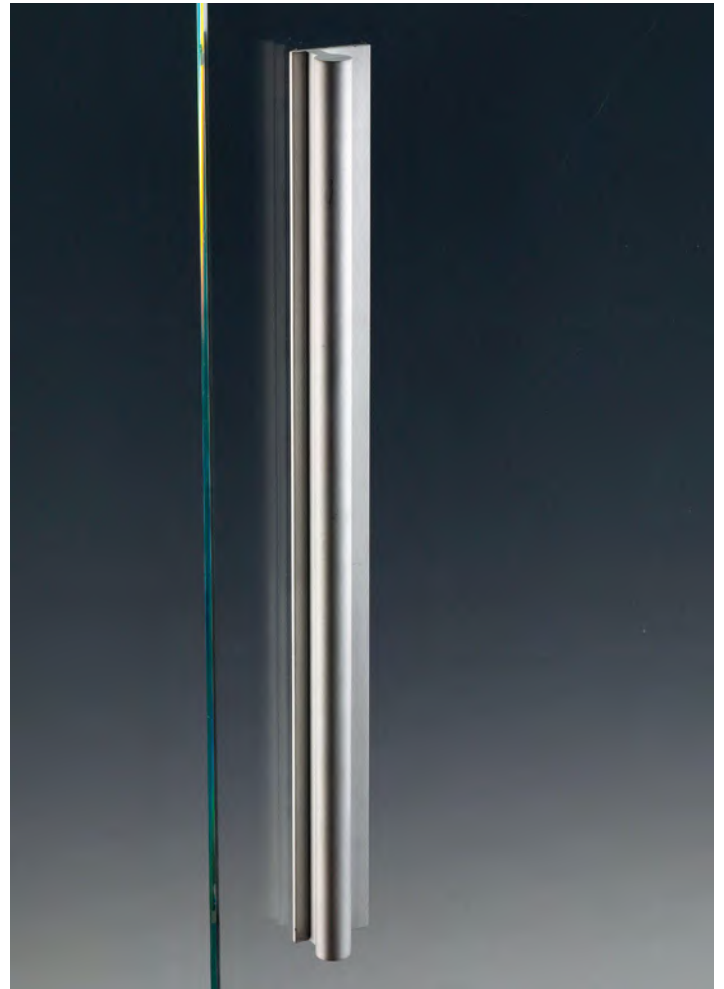
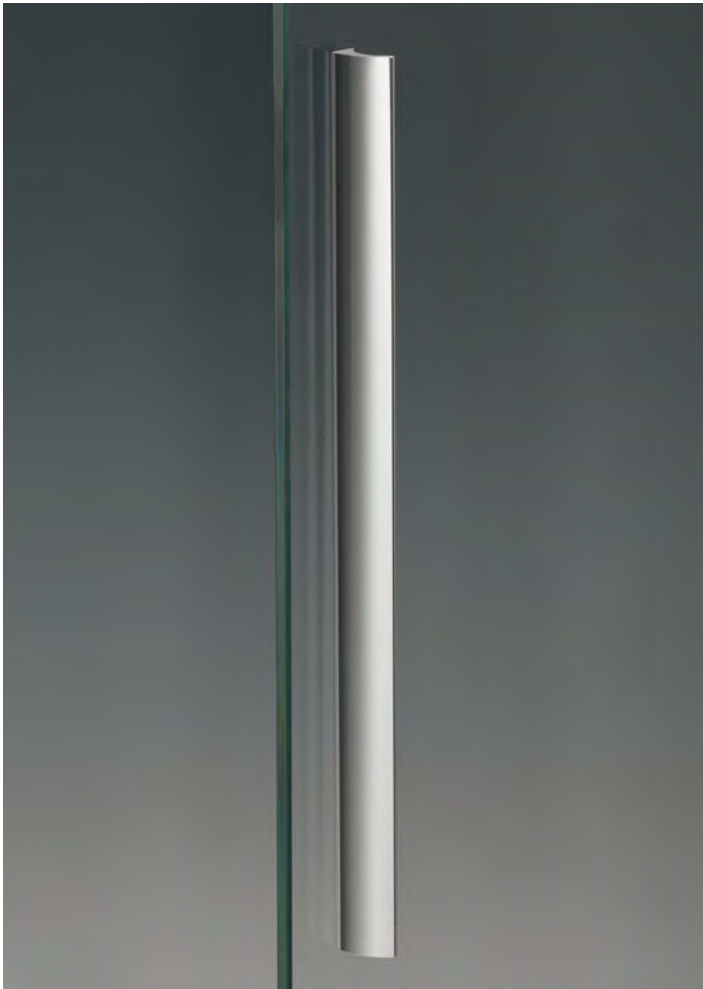
Material: Aluminium

Finish: /88 /91 /97

Other finishes available on demand



Art.	Length	Qty
MAN412V250	250 mm	1 Pc
MAN412V350	350 mm	1 Pc

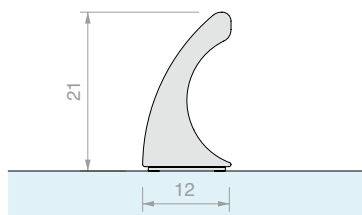


HANDLE FOR SLIDING DOORS WITH VHB FIXING 414

Material: Aluminium

Finish: /88 /91 /97

Other finishes available on demand

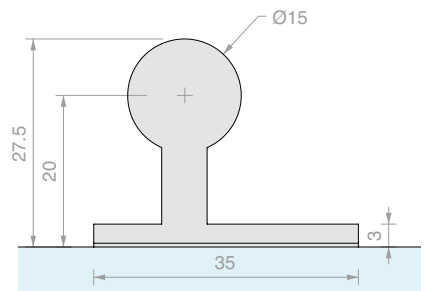


Art.	Length	Qty
MAN414V250	250 mm	1 Pc
MAN414V350	350 mm	1 Pc

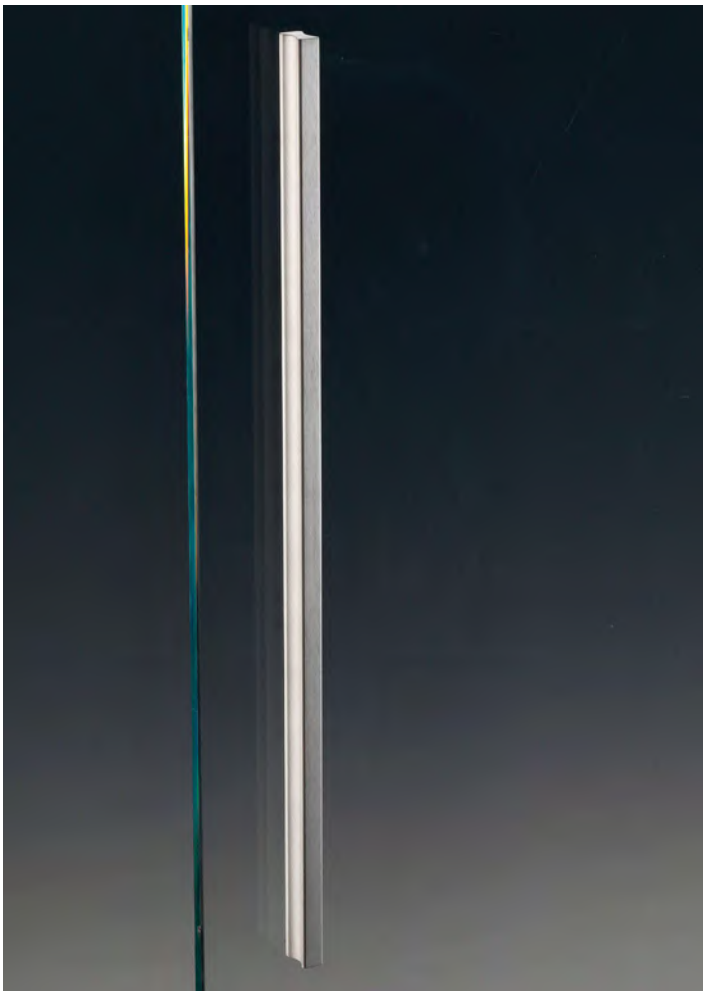
HANDLE FOR SLIDING DOORS WITH VHB FIXING 404

Material: Aluminium

Finish: /91 /97 /R2



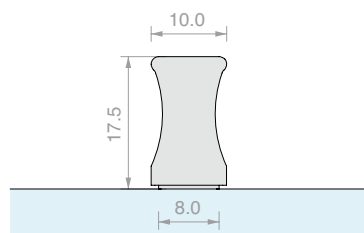
Art.	Length	Qty
MAN404V160	230 mm	1 Pc
MAN404V320	380 mm	1 Pc
MAN404V448	530 mm	1 Pc



HANDLE FOR SLIDING DOORS WITH VHB FIXING 408

Material: Aluminium

Finish: /91 /97 /R2

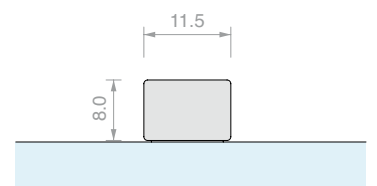


Art.	Length	Qty
MAN408V160	260 mm	1 Pc
MAN408V320	410 mm	1 Pc
MAN408V448	560 mm	1 Pc

HANDLE FOR SLIDING DOORS WITH VHB FIXING 500

Material: Aluminium

Finish: /88 /91 /97 /R2



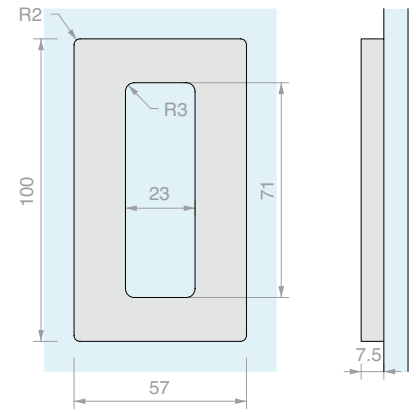
Art.	Length	Qty
MAN500V150	150 mm	1 Pc



**HANDLE FOR SLIDING DOORS
WITH VBH FIXING HAND10057**

Material: AISI 304 steel

Finish: /8 /15



Art.

HAND10057VHB

Qty

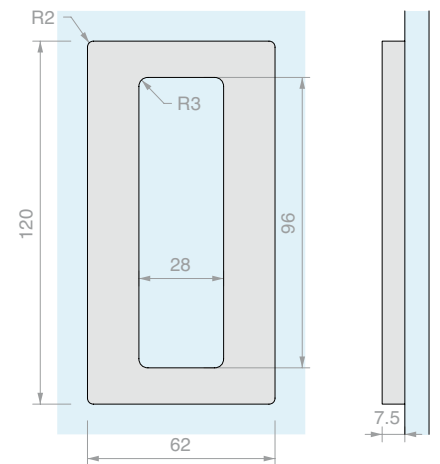
1 Pc



**HANDLE FOR SLIDING DOORS
WITH VBH FIXING HAND12062**

Material: AISI 304 steel

Finish: /8 /15



Art.

HAND12062VHB

Qty

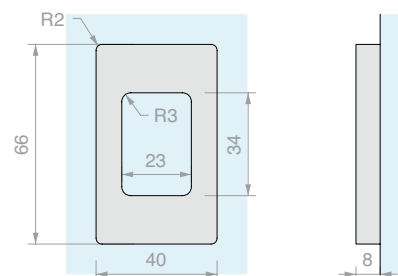
1 Pc



**HANDLE FOR SLIDING DOORS
WITH VBH FIXING HAND6640**

Material: Aluminium

Finish: /1 /6 /88 /91 /97



Art.

HAND6640VHB

Qty

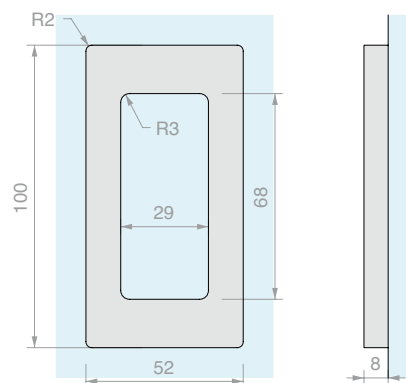
1 Pc



**HANDLE FOR SLIDING DOORS
WITH VBH FIXING HAND10052**

Material: Aluminium

Finish: /1 /6 /88 /91 /97



Art.

HAND10052VHB

Qty

1 Pc

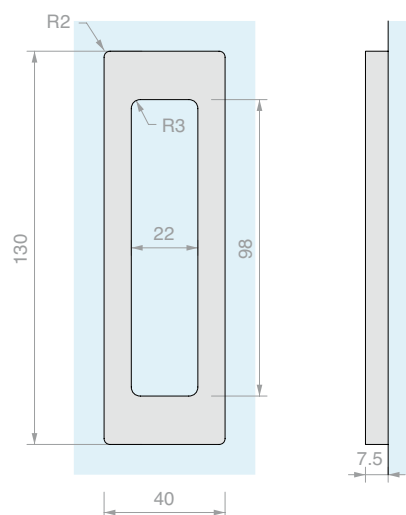


**HANDLE FOR SLIDING DOORS
WITH VBH FIXING HAND13040**

Material: Aluminium

Finish: /1 /6 /88 /91 /97

/R6 /R13



Art.

HAND13040VHB

Qty

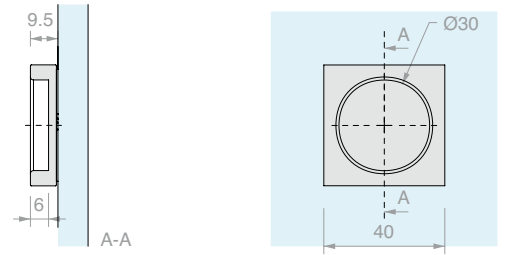
1 Pc



SQUARE HANDLE FOR SLIDING DOORS WITH VHB FIXING

Material: AISI 304 steel

Finish: /9



Art.

MABDQ40

Qty

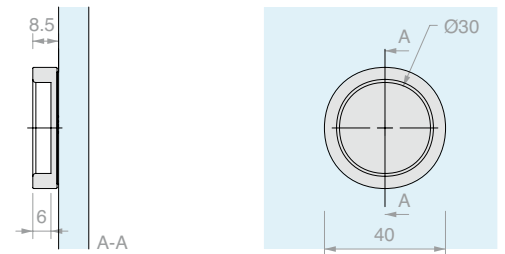
1 Pc



ROUND HANDLE FOR SLIDING DOORS WITH VHB FIXING

Material: AISI 304 steel

Finish: /9



Art.

MABDT40

Qty

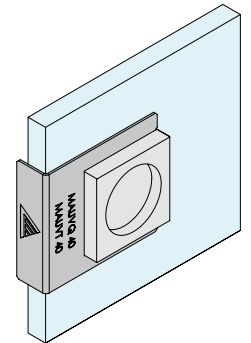
1 Pc



MOUNTING JIG

MABDQ40-MABDT40-MAUVQ40-MAUVT40

Material: AISI 304 steel

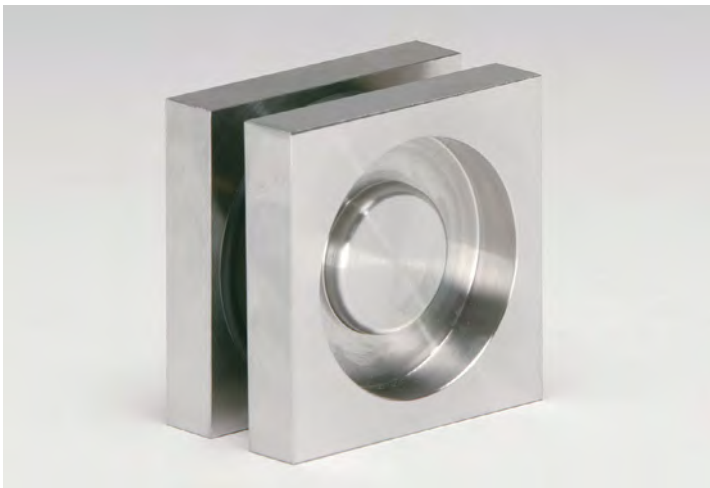


Art.

FXGAB10

Qty

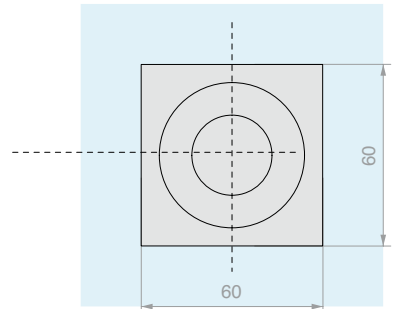
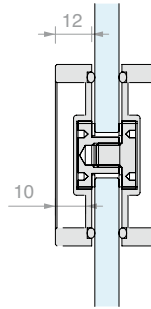
1 Pc



PAIR OF SQUARE HANDLES

Material: AISI 304 steel

Finish: /9



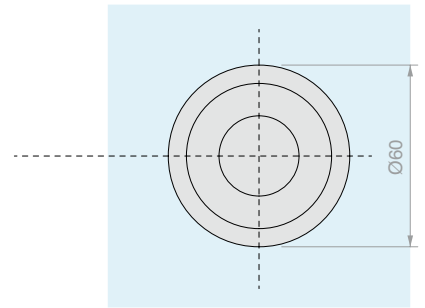
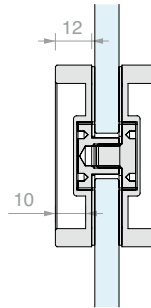
Art.	Hole	For glass	Qty
MAQ60	Ø14 mm	From 8 to 12 mm	1 Pc



PAIR OF ROUND HANDLES

Material: AISI 304 steel

Finish: /9



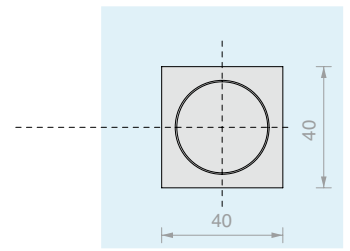
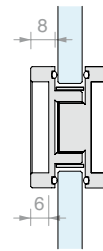
Art.	Hole	For glass	Qty
MAT60	Ø14 mm	From 8 to 12 mm	1 Pc



PAIR OF SQUARE HANDLES

Material: AISI 304 steel

Finish: /9



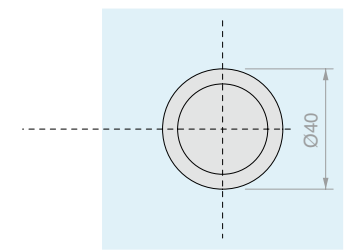
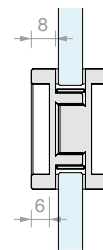
Art.	Hole	For glass	Qty
MAQ40	Ø30 mm	From 8 to 12 mm	1 Pc



PAIR OF ROUND HANDLES

Material: AISI 304 steel

Finish: /9



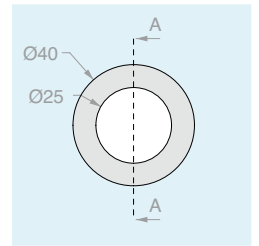
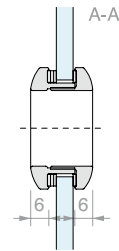
Art.	Hole	For glass	Qty
MAT40	Ø30 mm	From 8 to 12 mm	1 Pc



PAIR OF ROUND OPEN HANDLES 4314

Material: AISI 304 steel

Finish: /8 /15



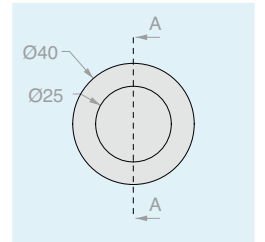
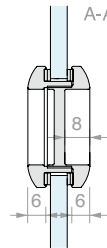
Art.	Hole	For glass	Qty
MAT4314	Ø32 mm	From 6 to 10 mm	1 Pc



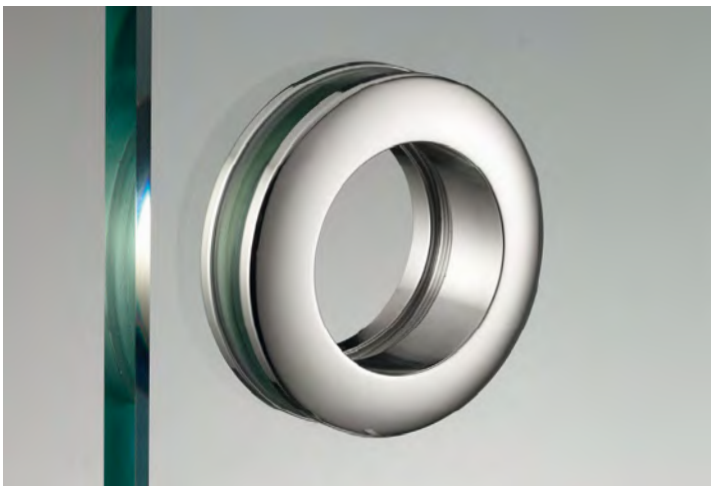
PAIR OF ROUND CLOSED HANDLES 4320

Material: AISI 304 steel

Finish: /8 /15



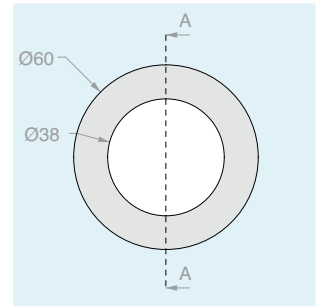
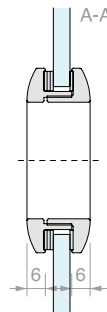
Art.	Hole	For glass	Qty
MAT4320	Ø32 mm	From 6 to 10 mm	1 Pc



PAIR OF ROUND OPEN HANDLES 6314

Material: AISI 304 steel

Finish: /8 /15



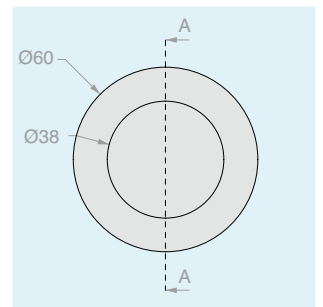
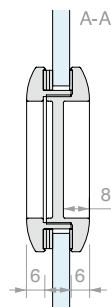
Art.	Hole	For glass	Qty
MAT6314	Ø48 mm	From 8 to 10 mm	1 Pc



PAIR OF ROUND CLOSED HANDLES 6320

Material: AISI 304 steel

Finish: /8 /15



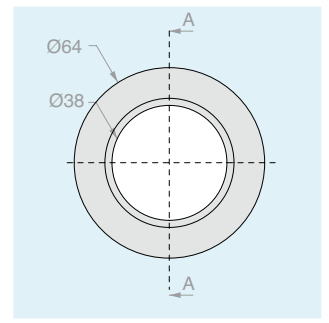
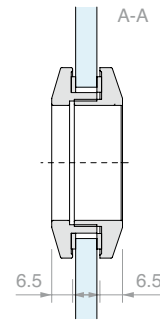
Art.	Hole	For glass	Qty
MAT6320	Ø48 mm	From 8 to 10 mm	1 Pc



PAIR OF ROUND OPEN HANDLES 8314

Material: AISI 304 steel

Finish: /8 /15



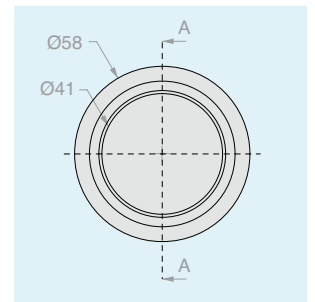
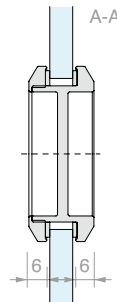
Art.	Hole	For glass	Qty
MAT8314	Ø50 mm	From 8 to 10 mm	1 Pc



PAIR OF ROUND CLOSED HANDLES 8320

Material: AISI 304 steel

Finish: /8 /15



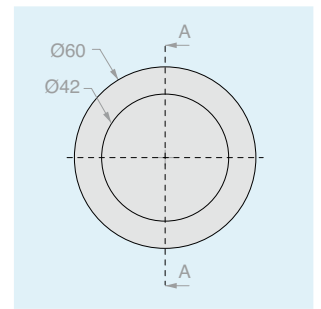
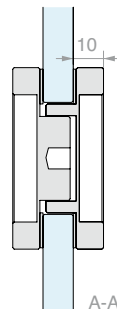
Art.	Hole	For glass	Qty
MAT8320	Ø50 mm	From 8 to 10 mm	1 Pc



PAIR OF ROUND CLOSED HANDLES 6036

Material: Aluminium

Finish: /88 /91 /97



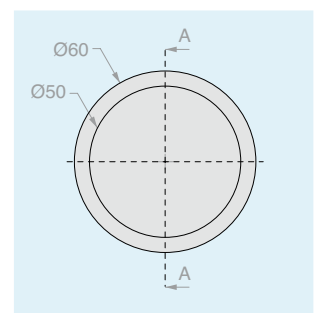
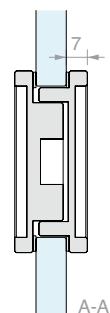
Art.	Hole	For glass	Qty
MAL6036	Ø38 mm	From 8 to 12 mm	1 Pc



PAIR OF ROUND CLOSED HANDLES 6050

Material: Aluminium

Finish: /88 /91 /97



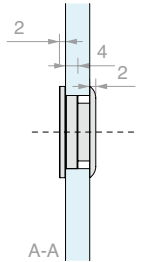
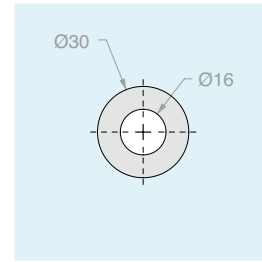
Art.	Hole	For glass	Qty
MAL6050	Ø51 mm	From 8 to 12 mm	1 Pc



PAIR OF ROUND OPEN HANDLES 30A

Material: Brass

Finish: /1 /2 /3



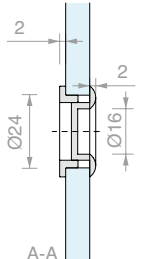
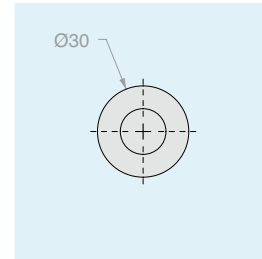
Art.	Hole	For glass	Qty
MAN30A	Ø26 mm	From 4 to 6 mm	1 Pc



PAIR OF ROUND CLOSED HANDLES 30C

Material: Brass

Finish: /1 /2 /3



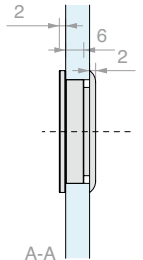
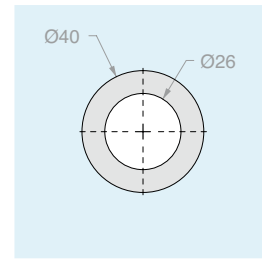
Art.	Hole	For glass	Qty
MAN30C	Ø26 mm	From 4 to 6 mm	1 Pc



PAIR OF ROUND OPEN HANDLES 40A

Material: Brass

Finish: /1 /2 /3



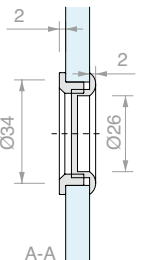
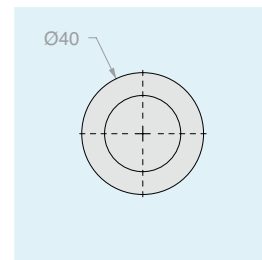
Art.	Hole	For glass	Qty
MAN40A	Ø36 mm	From 8 to 10 mm	1 Pc



PAIR OF ROUND CLOSED HANDLES 40C

Material: Brass

Finish: /1 /2 /3

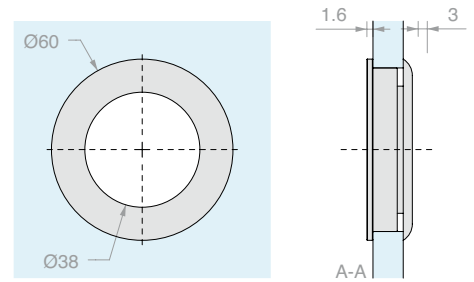


Art.	Hole	For glass	Qty
MAN40C	Ø36 mm	From 8 to 10 mm	1 Pc



PAIR OF ROUND OPEN HANDLES 60A

Material: Brass
 Finish: /1 /2 /92

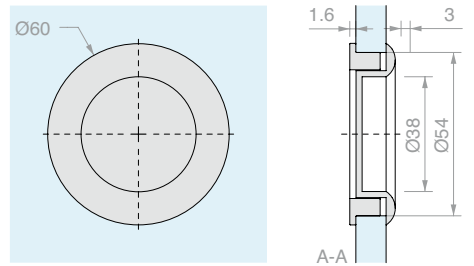


Art.	Hole	For glass	Qty
MAN60A	Ø55 mm	From 8 to 12 mm	1 Pc



PAIR OF ROUND CLOSED HANDLES 60C

Material: Brass
 Finish: /1 /2 /92

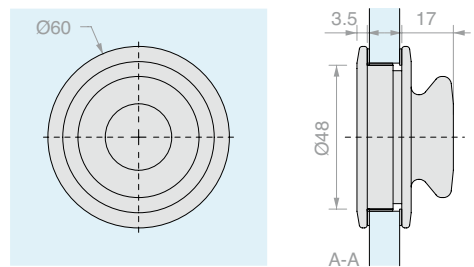


Art.	Hole	For glass	Qty
MAN60C	Ø55 mm	From 8 to 12 mm	1 Pc



PAIR OF ROUND HANDLES WITH DOOR KNOB

Material: Brass
 Finish: /1 /3



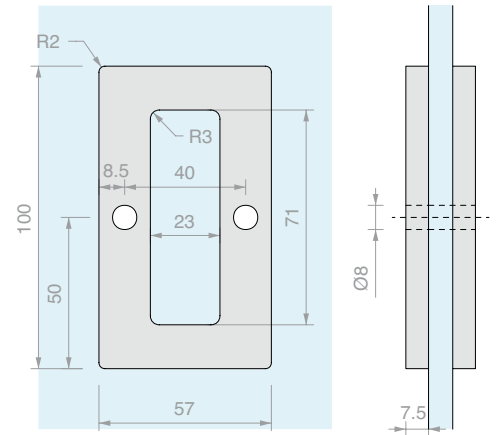
Art.	Hole	For glass	Qty
MSC9	Ø50 mm	From 8 to 12 mm	1 Pc



PAIR OF HANDLES FOR SLIDING DOORS HAND10057

Material: AISI 304 steel

Finish: /8 /15



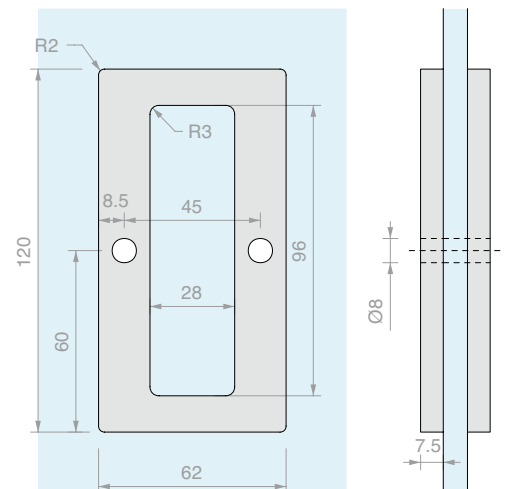
Art.	For glass	Qty
HAND10057	From 8 to 12 mm	1 Pc



PAIR OF HANDLES FOR SLIDING DOORS HAND12062

Material: AISI 304 steel

Finish: /8 /15



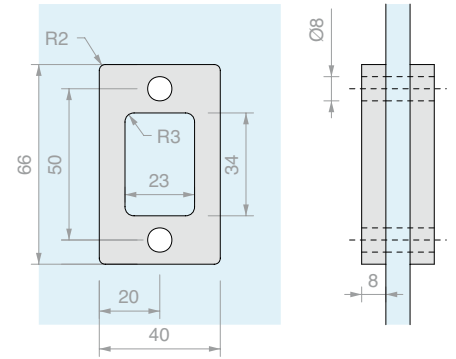
Art.	For glass	Qty
HAND12062	From 8 to 12 mm	1 Pc



PAIR OF HANDLES FOR SLIDING DOORS HAND6640

Material: Aluminium

Finish: /1 /6 /88 /91 /97



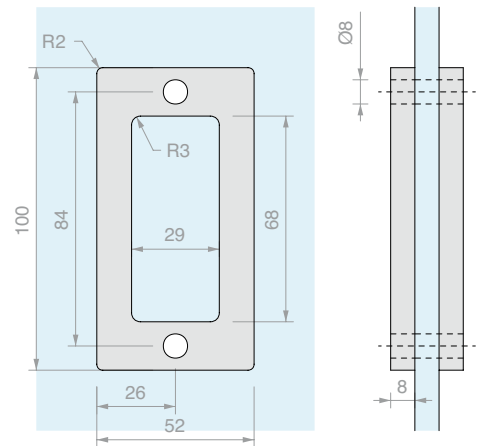
Art.	For glass	Qty
HAND6640	From 8 to 12 mm	1 Pc



PAIR OF HANDLES FOR SLIDING DOORS HAND10052

Material: Aluminium

Finish: /1 /6 /88 /91 /97



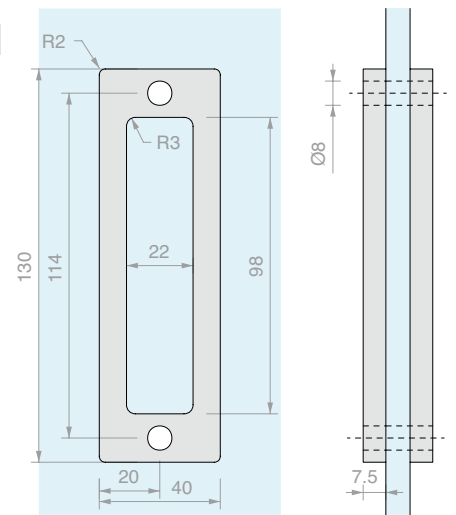
Art.	For glass	Qty
HAND10052	From 8 to 12 mm	1 Pc



PAIR OF HANDLES FOR SLIDING DOORS HAND13040

Material: Aluminium

Finish: /1 /6 /88 /91 /97



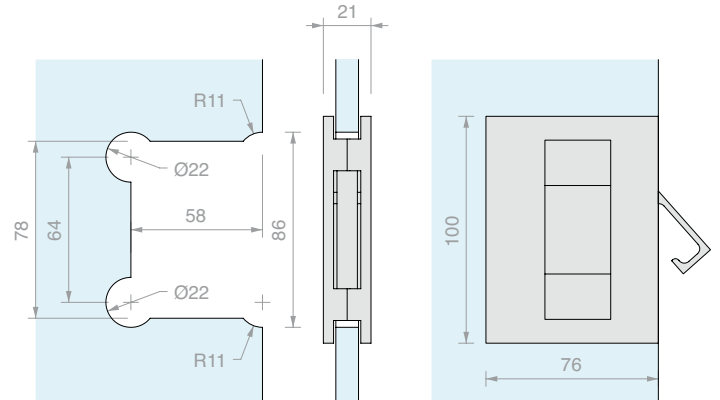
Art.	For glass	Qty
HAND13040	From 8 to 12 mm	1 Pc



PAIR OF HANDLES FOR POCKET SLIDING DOORS

Material: Brass

Finish: /1 /24 /45



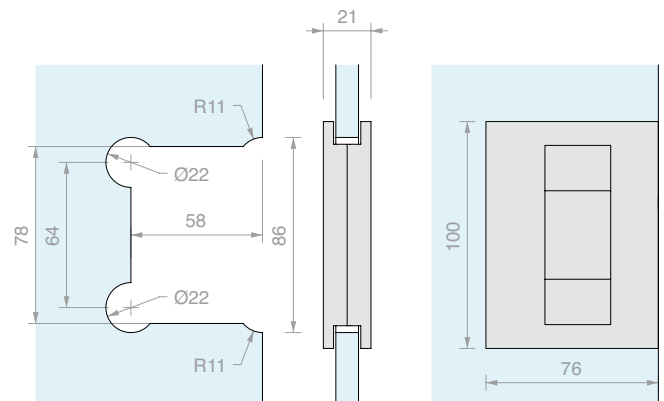
Art.	For glass	Qty
MSC7	From 8 to 10 mm	1 Pc



PAIR OF HANDLES FOR SLIDING DOORS

Material: Brass

Finish: /1 /24 /45

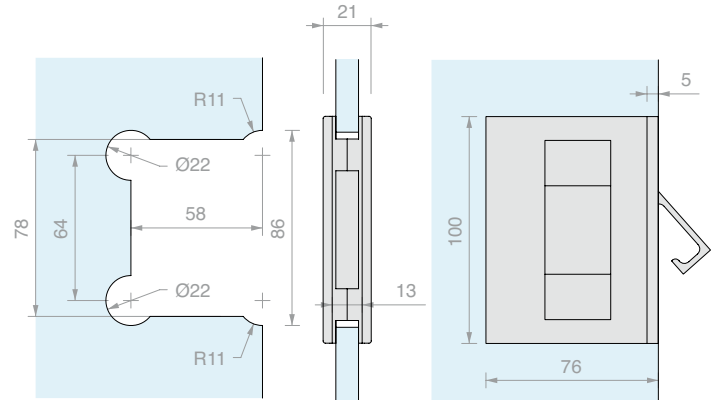


Art.	For glass	Qty
MSC5	From 8 to 10 mm	1 Pc



PAIR OF HANDLES FOR POCKET SLIDING DOORS WITH PROTRUSION FOR WALL CHANNEL

Material: Brass
Finish: /1 /24 /45

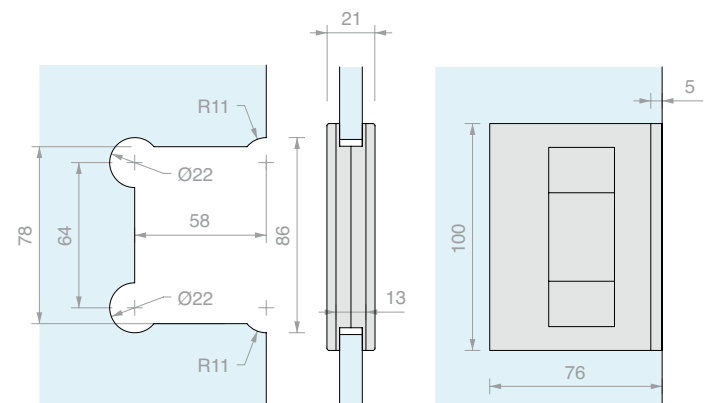


Art.	For glass	Qty
MSC8	From 8 to 10 mm	1 Pc



PAIR OF HANDLES FOR SLIDING DOORS WITH PROTRUSION FOR WALL CHANNEL

Material: Brass
Finish: /1 /24 /45



Art.	For glass	Qty
MSC6	From 8 to 10 mm	1 Pc

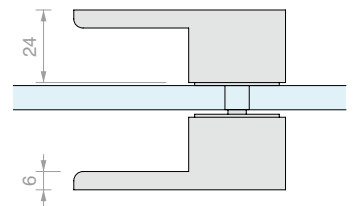
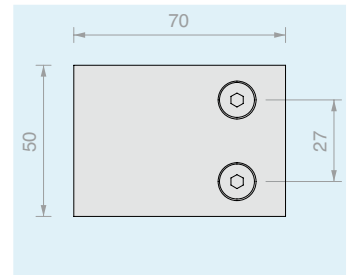


PAIR OF SQUARE HANDLES

Material: Brass

Recommended glass hole minimum size Ø8 mm

Finish: /1 /24



Art.	For glass	Qty
MNQ2470	From 8 to 12 mm	1 Pc

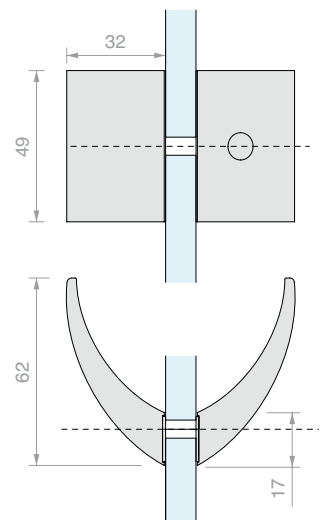


PAIR OF HANDLES 2030

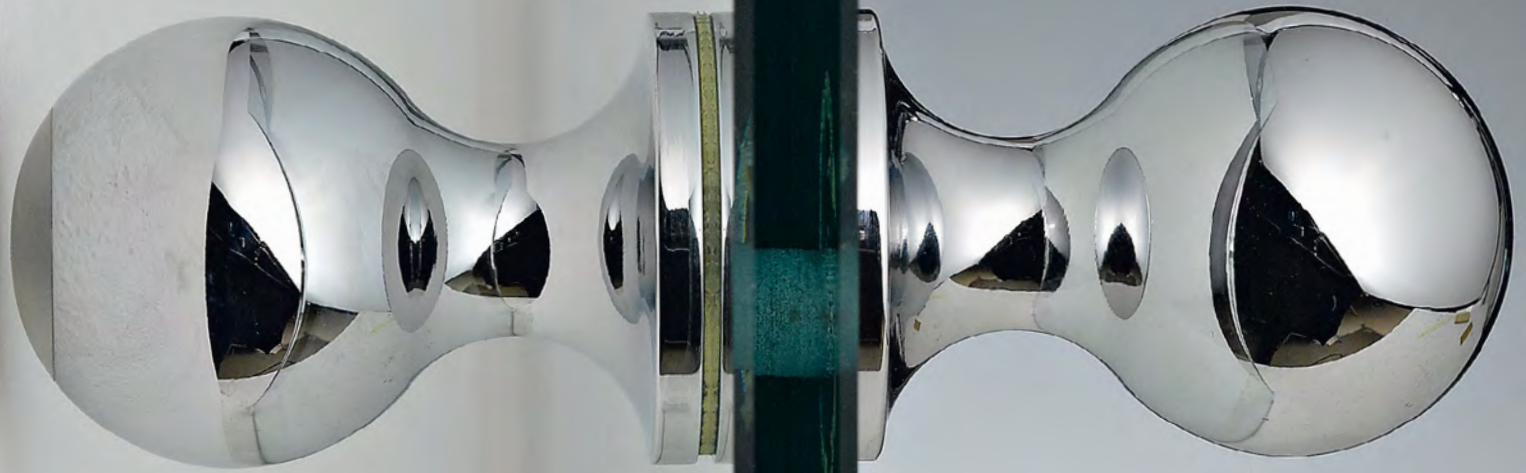
Material: Brass

Recommended glass hole minimum size Ø8 mm

Finish: /1 /24



Art.	For glass	Qty
MN2030	From 6 to 8 mm	1 Pc



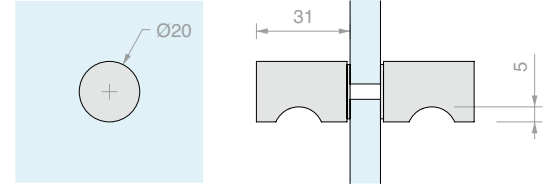


PAIR OF KNOBS WITH GRIP

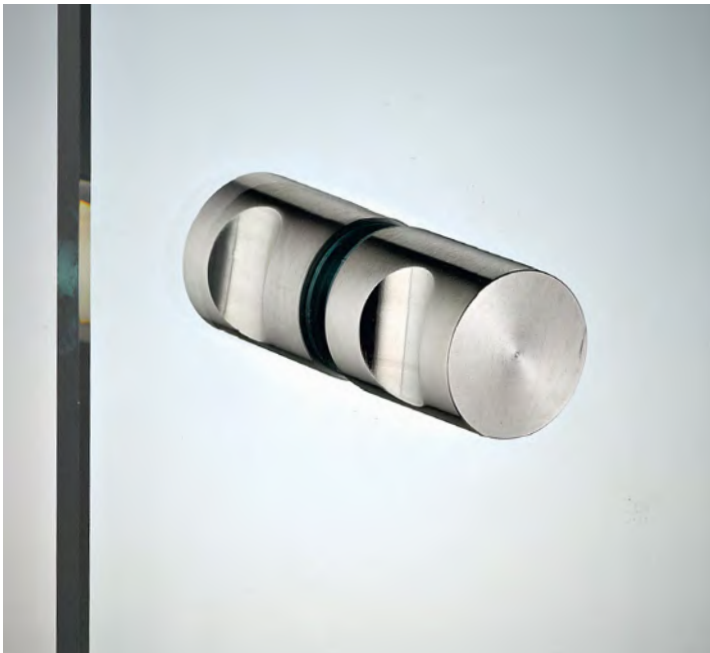
Material: AISI 304 steel

Recommended glass hole minimum size Ø6 mm

Finish: /9



Art.	For glass	Qty
POM1ACC20	From 5 to 15 mm	1 Pc

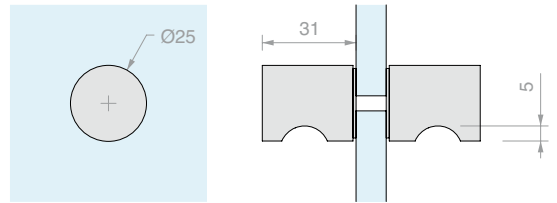


PAIR OF KNOBS WITH GRIP

Material: AISI 304 steel

Recommended glass hole minimum size Ø6 mm

Finish: /9



Art.	For glass	Qty
POM1ACC25	From 5 to 15 mm	1 Pc

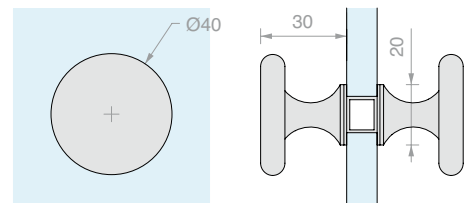


PAIR OF DOOR KNOBS WITH GRIP SOLEIL ROYAL SERIES

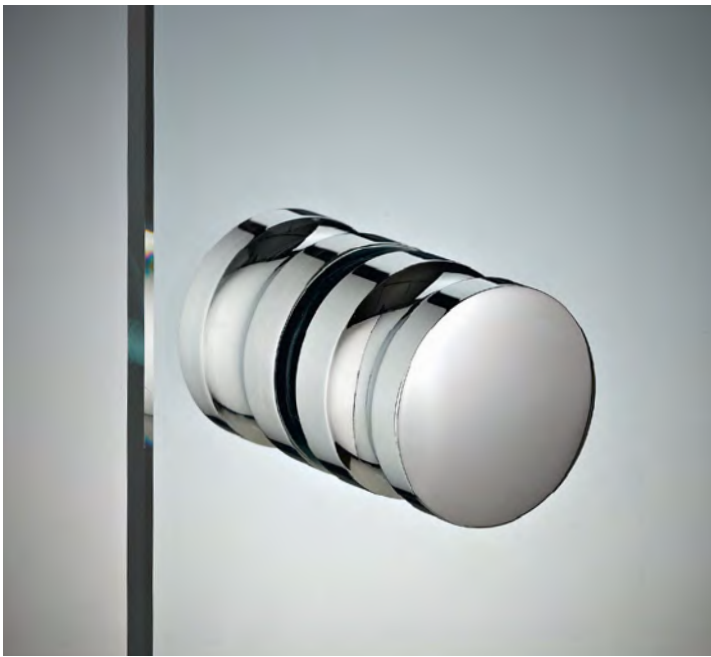
Material: AISI 304 steel

Recommended glass hole minimum size Ø12 mm

Finish: /9



Art.	For glass	Qty
POM8	From 6 to 10 mm	1 Pc

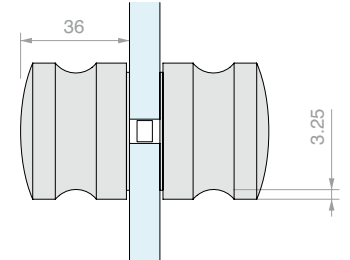
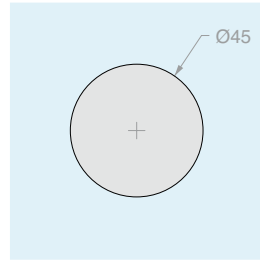


PAIR OF KNOBS WITH GRIP

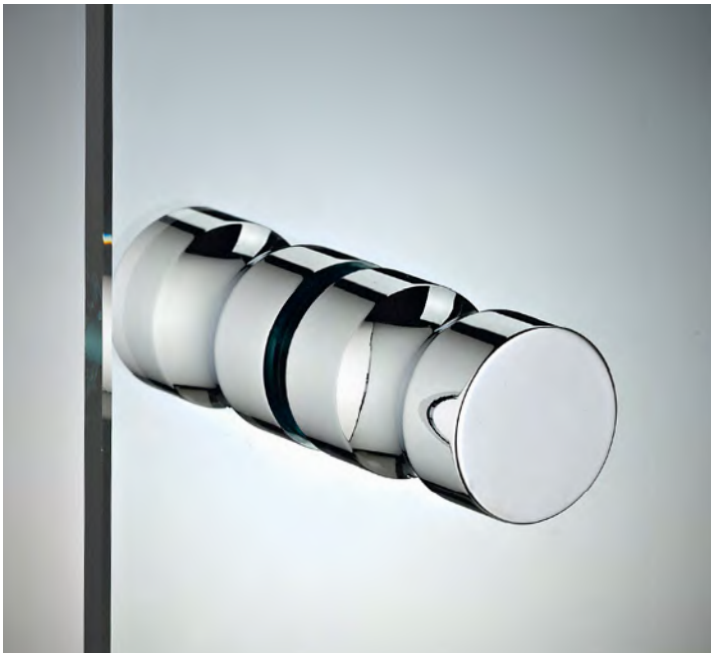
Material: Brass

Recommended glass hole minimum size Ø8 mm

Finish: /1 /3



Art.	For glass	Qty
POM4535	From 8 to 13.5mm	1 Pc

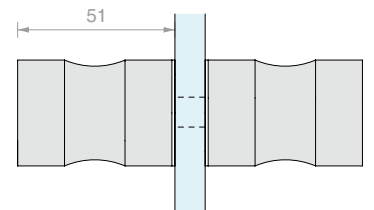
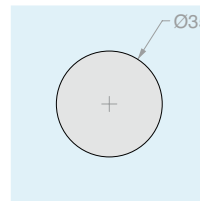


PAIR OF KNOBS WITH GRIP VETCIL35

Material: brass

Recommended glass hole minimum size Ø10 mm

Finish: /1 /2 /3



Art.	For glass	Qty
VETCIL35	From 8 to 12 mm	1 Pc

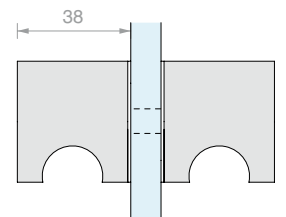
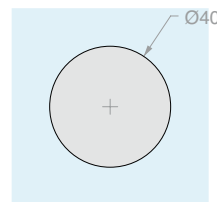


PAIR OF KNOBS WITH GRIP SP255

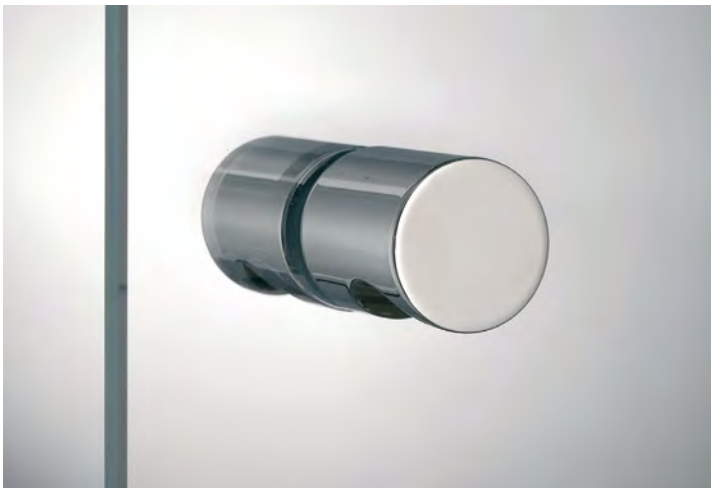
Material: brass

Recommended glass hole minimum size Ø8 mm

Finish: /1 /2 /4 /24 /R2



Art.	For glass	Qty
SP255	From 8 to 14 mm	1 Pc

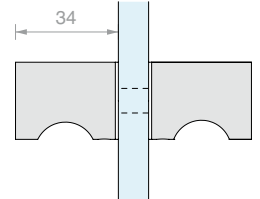
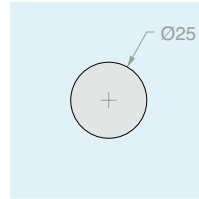


PAIR OF KNOBS WITH GRIP SP2255

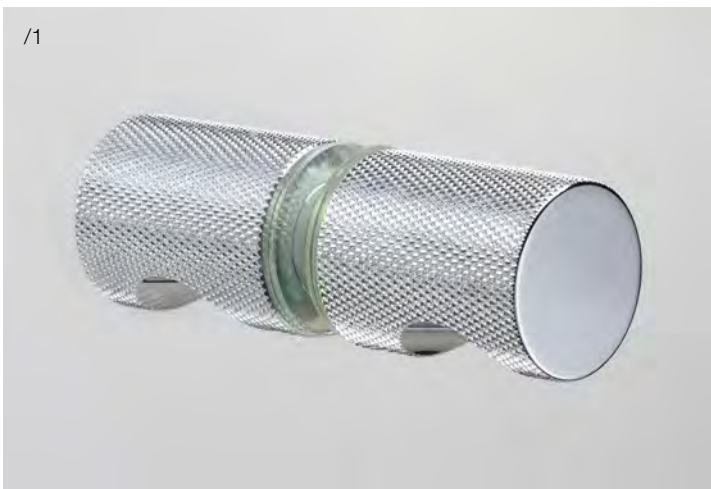
Material: brass

Recommended glass hole minimum size Ø8 mm

Finish: /1 /2 /4 /24 /R2



Art.	For glass	Qty
SP2255	From 6 to 12 mm	1 Pc

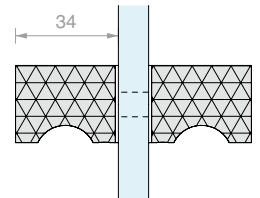
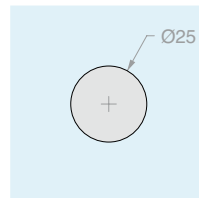


PAIR OF KNURLED KNOBS WITH GRIP SP2255GD

Material: brass

Recommended glass hole minimum size Ø8 mm

Finish: /1 /2 /4 /24 /R2



Art.	For glass	Qty
SP2255GD	From 6 to 12 mm	1 Pc

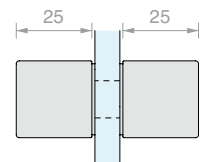
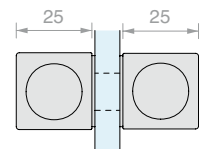
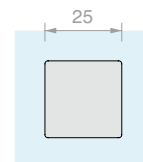


PAIR OF SQUARE KNOBS WITH GRIP

Material: brass

Recommended glass hole minimum size Ø12 mm

Finish: /1 /2 /4 /24 /R2



Art.	For glass	Qty
DQTS2525	From 8 to 12 mm	1 Pc

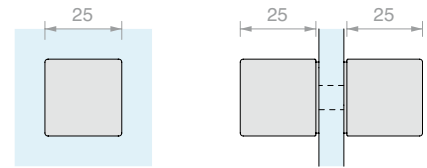


PAIR OF SQUARE KNOBS

Material: brass

Recommended glass hole minimum size Ø8 mm

Finish: /1 /2 /3 /4 /R2



Art.	For glass	Qty
DQP2525	From 8 to 15 mm	1 Pc

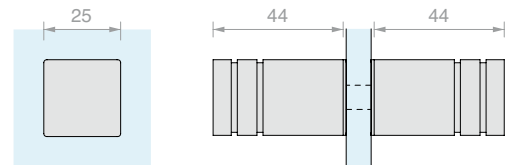


PAIR OF LONG KNOBS

Material: brass

Recommended glass hole minimum size Ø8 mm

Finish: /1 /2 /3 /4 /R2



Art.	For glass	Qty
POM2525	From 8 to 15 mm	1 Pc

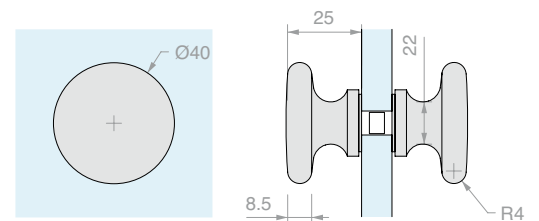


PAIR OF DOOR KNOBS

Material: Brass

Recommended glass hole minimum size Ø8 mm

Finish: /1 /3



Art.	For glass thickness	Qty
POM45PT	From 8 to 15 mm	1 Pc

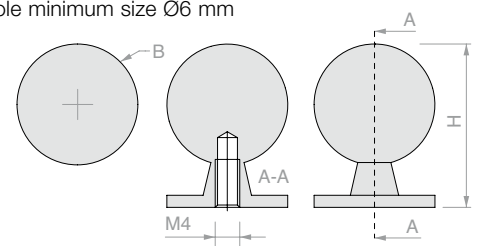


BALL DOOR KNOBS

Material: Brass

Recommended glass hole minimum size Ø6 mm

Finish: /1 /2 /3



Art.	B	H	For glass	Qty
POM01	Ø20 mm	27 mm	From 6 to 15 mm	1 Pc
POM02	Ø25 mm	33 mm	From 6 to 15 mm	1 Pc
POM03	Ø30 mm	39 mm	From 6 to 19 mm	1 Pc
POM04	Ø35 mm	45 mm	From 6 to 19 mm	1 Pc

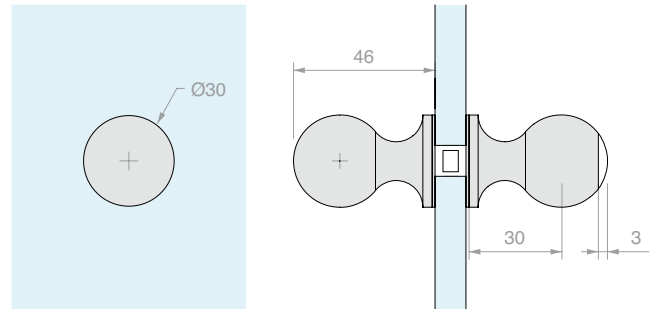


PAIR OF DOOR KNOBS WITH PVC HEAD

Material: Brass and PVC

Recommended glass hole minimum size Ø10 mm

Finish: /1 /3



Art.	For glass	Qty
POMPVC	From 6 to 15 mm	1 Pc



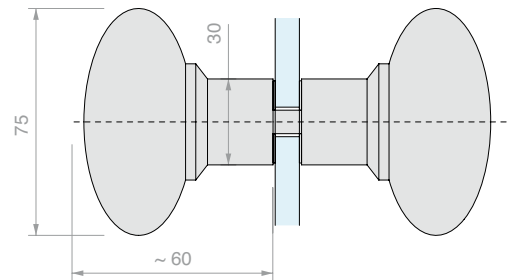
PAIR OF COMPRESSED GLASS DOOR KNOBS

Material: Glass stuck on brass base

Recommended glass hole minimum size Ø10 mm

Glass colour: brushed

Base finish: /1 /2 /3



Art.	For glass	Qty
POM75	From 8 to 12 mm	1 Pc



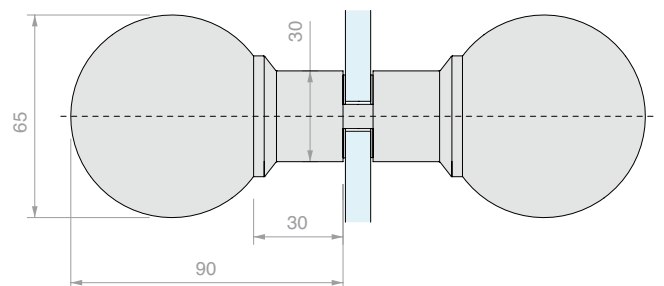
PAIR OF COMPRESSED GLASS BALL DOOR KNOBS

Material: Glass stuck on brass base

Recommended glass hole minimum size Ø10 mm

Glass colour: transparent, brushed

Base finish: /1 /2 /3

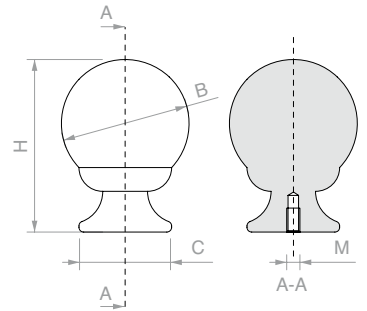


Art.	For glass	Glass	Qty
POM65T	From 8 to 12 mm	Transparent	1 Pc
POM65S	From 8 to 12 mm	Brushed	1 Pc



GLASS BALL DOOR KNOBS ARIUS SERIES

Material: Glass stuck on brass base
 Recommended glass hole minimum size Ø8 mm
 Glass colour: transparent
 Base finish: /1 /2

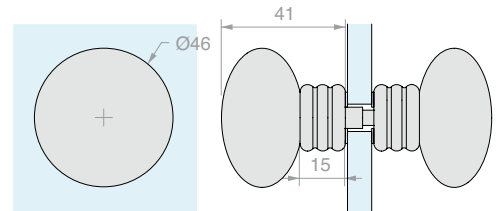


Art.	B	C	H	M	Qty
POM90540T	Ø40 mm	29 mm	57 mm	M4	1 Pc
POM90555T	Ø55 mm	41 mm	78 mm	M6	1 Pc



PAIR OF COMPRESSED GLASS DOOR KNOBS

Material: Glass stuck on brass base
 Recommended glass hole minimum size Ø10 mm
 Glass colour: transparent, brushed
 Base finish: /1 /2 /3

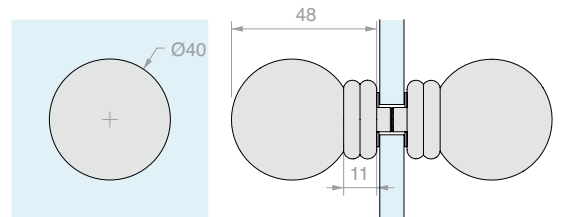


Art.	For glass	Glass	Qty
POM45T	From 5 to 8 mm	Transparent	1 Pc
POM45S	From 5 to 8 mm	Brushed	1 Pc



PAIR OF COMPRESSED GLASS BALL DOOR KNOBS

Material: Glass stuck on brass base
 Recommended glass hole minimum size Ø10 mm
 Glass colour: transparent, brushed
 Base finish: /1 /2 /3

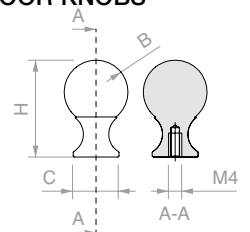


Art.	For glass	Glass	Qty
POMBD40T	From 8 to 10 mm	Transparent	1 Pc
POMBD40S	From 8 to 10 mm	Brushed	1 Pc



PAIR OF COMPRESSED GLASS BALL DOOR KNOBS

Material: Glass stuck on brass base
 Recommended glass hole minimum size Ø6 mm
 Glass colour: transparent
 Base finish: /1 /2 /3



Art.	B	C	H	Glass	Qty
POMVE20T	Ø20 mm	Ø16 mm	32 mm	Transparent	1 Pc
POMVE20S	Ø20 mm	Ø16 mm	32 mm	Brushed	1 Pc
POMVE25T	Ø25 mm	Ø18 mm	38 mm	Transparent	1 Pc
POMVE25S	Ø25 mm	Ø18 mm	38 mm	Brushed	1 Pc
POMVE30T	Ø30 mm	Ø18 mm	42 mm	Transparent	1 Pc
POMVE30S	Ø30 mm	Ø18 mm	42 mm	Brushed	1 Pc

FINISHES



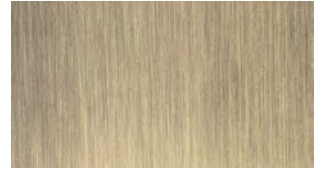
/1
Chrome



/2
Gold



/3
Brushed nickel



/4
Bronze



/5
White



/6
Matt black



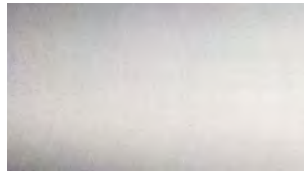
/7
Matt chrome



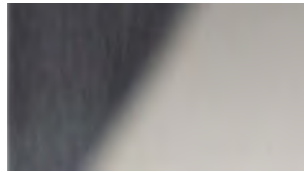
/8
Brushed steel



/9
Machining steel (CNC)



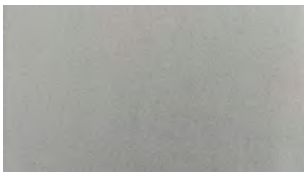
/10
Raw aluminium



/15
Polished steel



/24
Brushed steel effect



/45
Matt aluminium effect



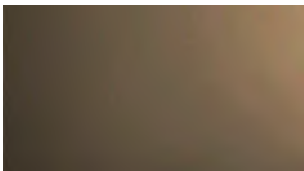
/56
Grey



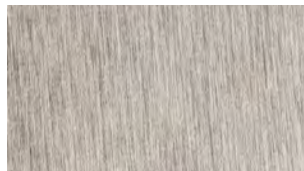
/65
Matt black



/66
Champagne aluminium



/67
Dark brushed bronze aluminium



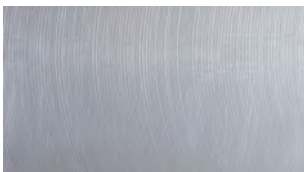
/83
PVD brushed steel



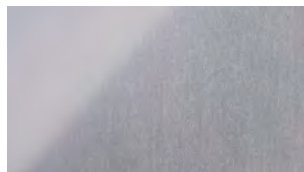
/88
Brushed steel effect aluminium



/89
Galvanised iron



/90
Machining aluminium



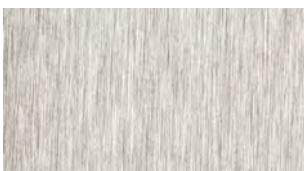
/91
Polished aluminium



/92
Matt nickel



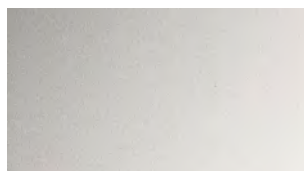
/93
Brass coated



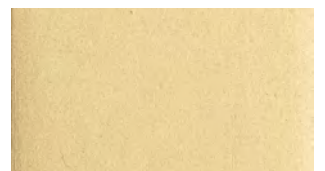
/94
Brushed chrome



/95
Nickel-coated



/97
Matt aluminium



/99
Brushed gold



/R2
RAL9005 matt black



/R6
RAL9016 matt traffic white



/R13
RAL7016 matt anthracite grey



/RAL
RAL9010 polished white