

CATALOGUE **ARRANGEMENT**

ARRANGEMENT	Page 18
SHELVES	Page 110
CLAMPS	Page 138
POINT FIXINGS	Page 166

ARRANGEMENT



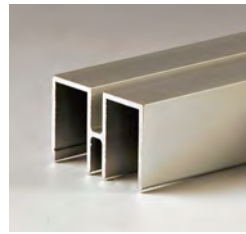
SLIDING SHOWCASES



SUPRA AND ROBUSTUS
Page 20



CLIPO
Page 32



PV PROFILES
Page 42



LOCKS FOR SLIDING SHOWCASES
Page 46

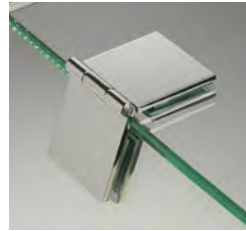
HINGED SHOWCASES



PIVOT HINGES
Page 49



SIDE SNAP HINGES
Page 58



PROJECTION SIDE HINGES
Page 68



LOCKS FOR HINGED SHOWCASES
Page 70

GLASS HOLDERS AND SHELF SUPPORTS

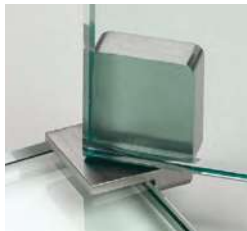


GLASS HOLDERS
Page 76



SHELF SUPPORT
Page 78

HINGED SHOWCASES FOR UV BONDING



PIVOT HINGES
Page 82



SIDE SNAP HINGES
Page 86



PROJECTION SIDE HINGES
Page 92



LOCKS
Page 96

ACCESSORIES FOR UV BONDING



KNOBS AND HANDLES
Page 99



MAGNETS
Page 101



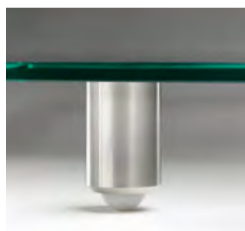
SHELF SUPPORTS
Page 103



STEEL DISCS
Page 106



WHEELS
Page 107



FEET
Page 108

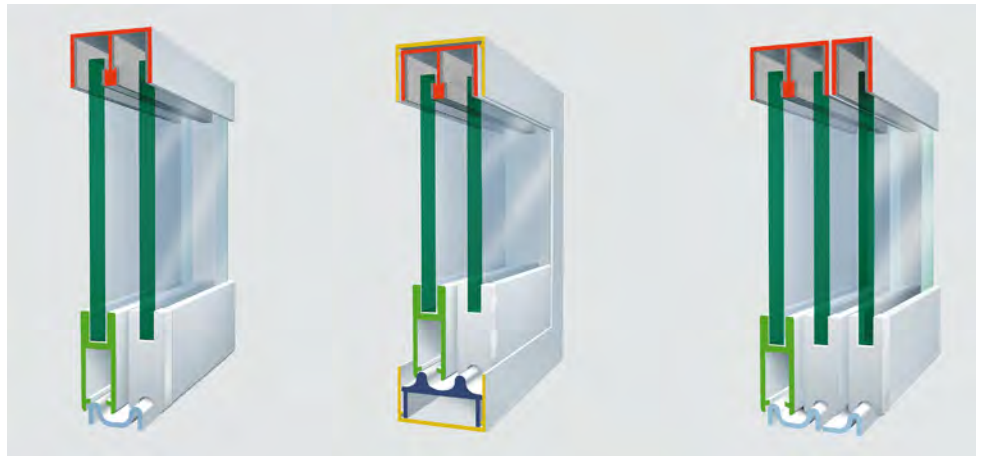
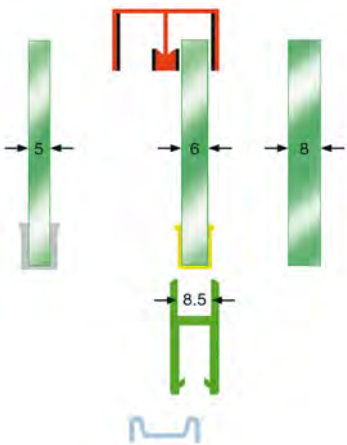
SUPRA AND ROBUSTUS

Closure systems for showcases with Willach sliding profiles

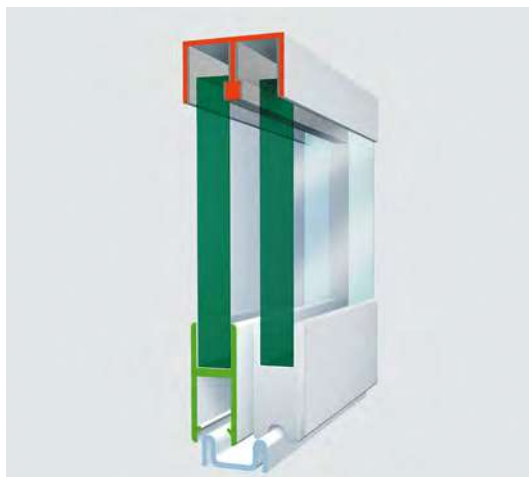
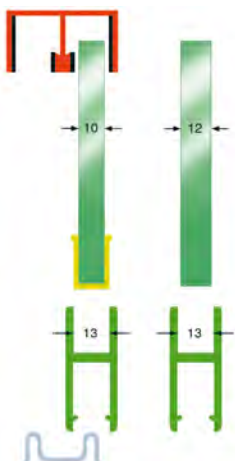
The Willach range includes two lines of products — SUPRA and ROBUSTUS — in lengths of 2497 mm or 5000 mm.



The SUPRA system can be used for glass from 5 to 8 mm thick with a weight of 25 kg (using two carriers) or 50 kg (using 4 carriers). It can be installed with 1, 2, or more sliding showcases using a single upper and lower guide. The two-door system can be completed with a frame profile.



The SUPRA system can be used for glass from 10 to 12 mm thick with a weight of 70 kg (using two carriers) or 140 kg (using 4 carriers). This line can be used only with a double track. Tracks, single guides, or frame profiles cannot be used.



Features of the Willach system for showcases:

- Solid doors
- Carrier durability
- Silent movement
- Simple installation
- Burglary resistant
- Modular tracks
- Minimalist design



The POM-coated steel ball bearings are very resistant, preventing deformations due to use and weight, guaranteeing durability over time, solidity, and reduced noise during movement.

The bearing, mounted on a metal spring body, is inserted in the glass-holder profile with the use of a specific installation tool (available in stock), avoiding the use of screws and speeding up assembly.

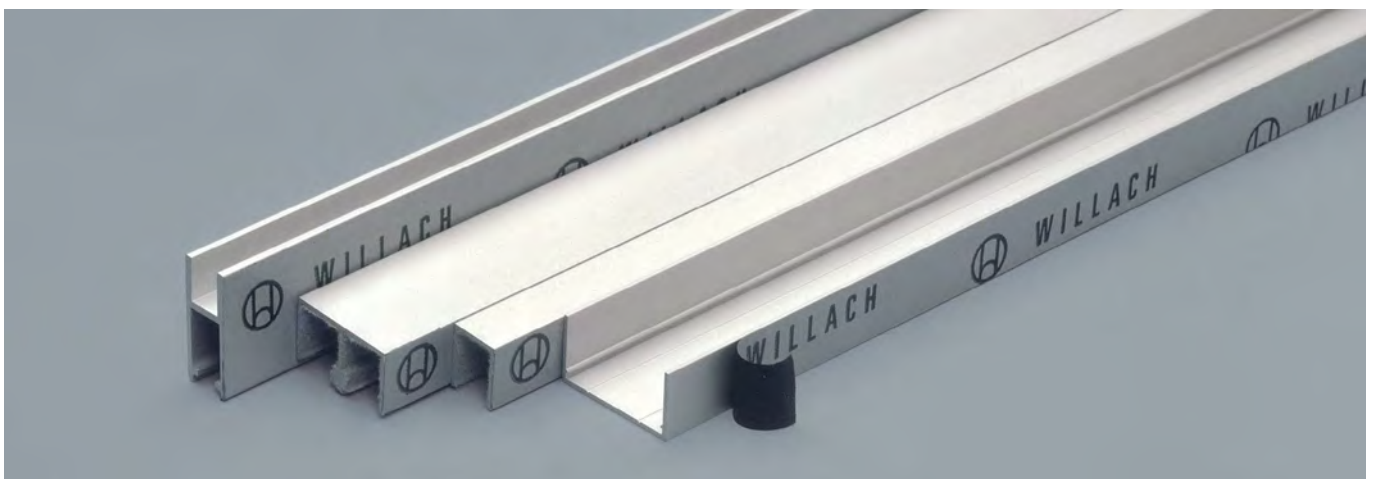


Thanks to the inner lining of the upper guide with soundproofing flocked fabric, any noise during movement is further attenuated.

In the SUPRA series, the guides are provided with a double-sided adhesive to facilitate installation even without screws.



All the profiles of the Willach series, except for the bottom guides, are protected during transport by a special adhesive film.





The glass holder of the SUPRA series has an 8.5-mm interior and 2 types of transparent rubber gaskets are available for inserting two window shims: 5 or 6 mm.

The ROBUSTUS glass holder has a 13-mm interior. For this series, a gasket for inserting 10-mm glass is available.

Both systems have vertical brush holder profiles for 6-mm, 8-mm or 10-mm glass.



With the SUPRA series, a single bottom guide and top guide can be applied to allow the insertion of additional doors.

If three or more doors are used, the SECURA lock cannot be applied.

The systems come with end caps made of a matt chrome-coloured plastic as well as a handle.



For the SUPRA series only, a U-shaped frame profile is available to frame the entire window structure.

In addition, a rubber profile can be added for dust protection and to mitigate side impacts.



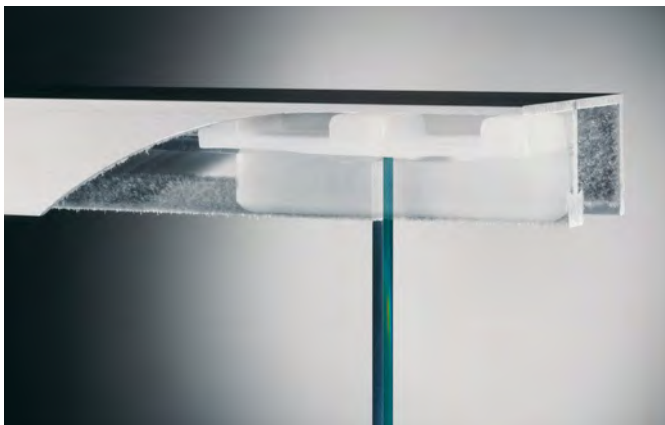
These Willach systems equipped with a special patented locking system called SECURA.

The SECURA system consists of a glass-supporting end with a drilled seat and cylindrical body with an eccentric rod that guarantees a secure hold when the cylinder is inserted. The window is guaranteed not to open thanks to an adaptor that is inserted in the glass holder in the second leaf.

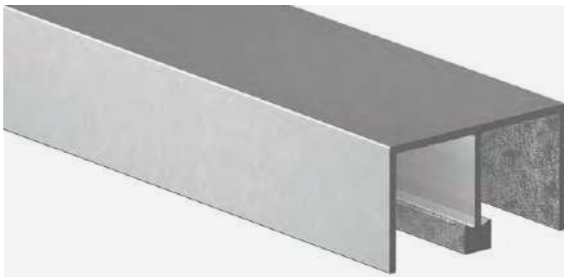
Another advantage of this system is the reversible adapter, which can be either right or left handed.

The SECURA lock can be supplied with both single and different keys. The different key allows for 40 encryptions (dependent on availability when the order is placed).

In addition, thanks to a master key, the cylinder can be removed from any lock body (only if the sliding system is open). The cylinder is the same for both the SUPRA and ROBUSTUS series.

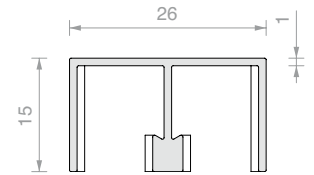


Another burglary deterrent is a plastic detail situated on the top guide, which prevents the showcases from being lifted and possibly removed when they are closed.

**SUPRA DOUBLE UPPER GUIDE**

Material: Aluminium

Finish: /97

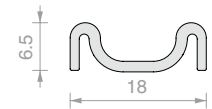


Art.	Length	Qty
W.605.020.250	2497 mm	1 Pc
W.605.020.500	5000 mm	1 Pc

**SUPRA DOUBLE LOWER TRACK**

Material: Aluminium

Finish: /97

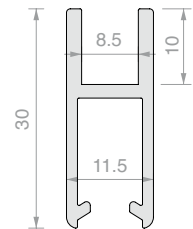


Art.	Length	Qty
W.605.090.250	2497 mm	1 Pc
W.605.090.500	5000 mm	1 Pc

**SUPRA GLASS-HOLDER PROFILE**

Material: Aluminium

Finish: /97



Art.	Length	Qty
W.605.040.250	2497 mm	1 Pc
W.605.040.500	5000 mm	1 Pc

**SUPRA CARRIER**

Material: Steel body, plastic roller

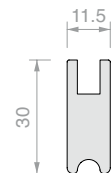
Recommended installation tool Art. W.606.400

Art.	Load	Qty
W.605.050	25 kg per pair	1 Pc

**SUPRA GLASS HOLDER END CAP**

Material: Zamak

Finish: /97



Art.	Qty
W.605.071	1 Pc

**TOOL FOR MOUNTING SUPRA CARRIERS**

Art.	Qty
W.606.400	1 Pc

**SUPRA HANDLE FOR SLIDING DOOR**

Material: Aluminium

Finish: /97

Art.	Qty
W.606.450	1 Pc

**GLASS FITTING GASKET**

Material: Plastic

For use with profile Art. W.605.040.

Colour: Transparent

Art.	For glass	Qty
W.606.320	5 mm	1 m
W.606.310	6 mm	1 m

**SECURA LOCK FOR SUPRA SERIES**

Material: Aluminium

Requires adaptor W.606.600

Finish: /97

Art.	Wrench	Qty
W.606.620U	Single	1 Pc
W.606.620D	Different	1 Pc
W.606.640	Wrench for removing cylinder	1 Pc

**ADAPTOR FOR SECURA LOCK FOR SUPRA SERIES**

Material: Aluminium

Finish: /97

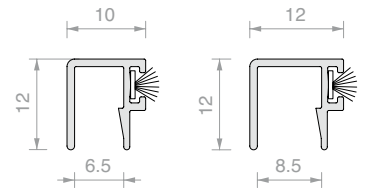
Art.	Qty
W.606.600	1 Pc



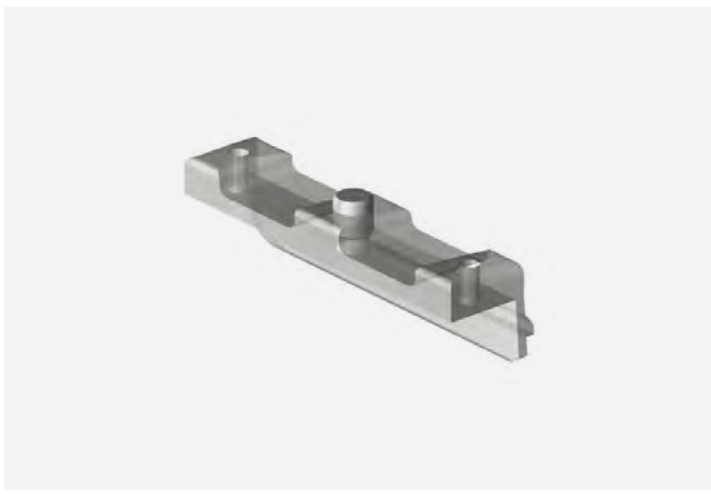
VERTICAL DUST-PROOF PROFILE WITH BRUSH

Material: Aluminium

Finish: /97



Art.	Length	For glass	Qty
W.606.350.250	2497 mm	6 mm	1 Pc
W.606.350.500	5000 mm	6 mm	1 Pc
W.606.360.250	2497 mm	8 mm	1 Pc
W.606.360.500	5000 mm	8 mm	1 Pc



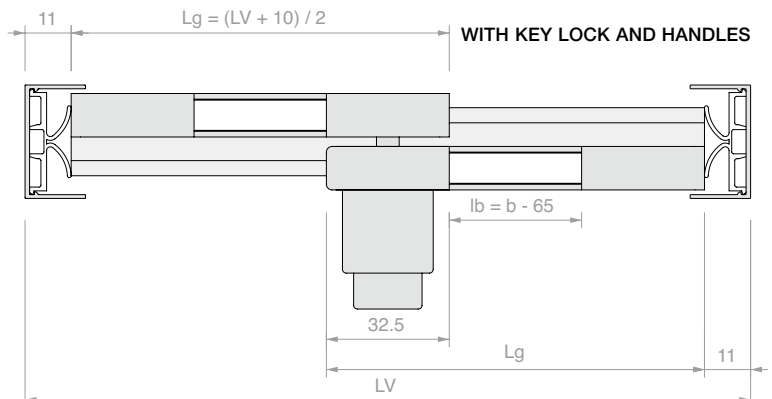
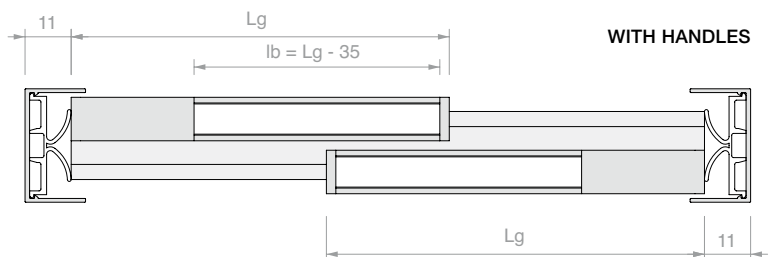
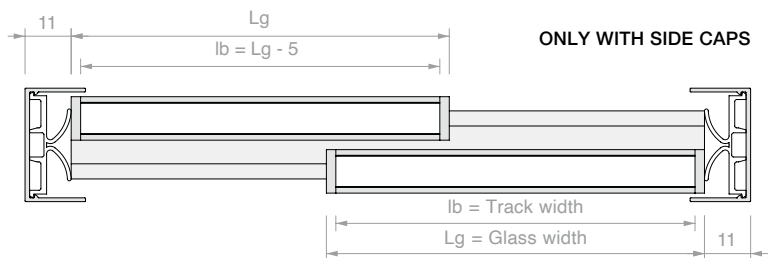
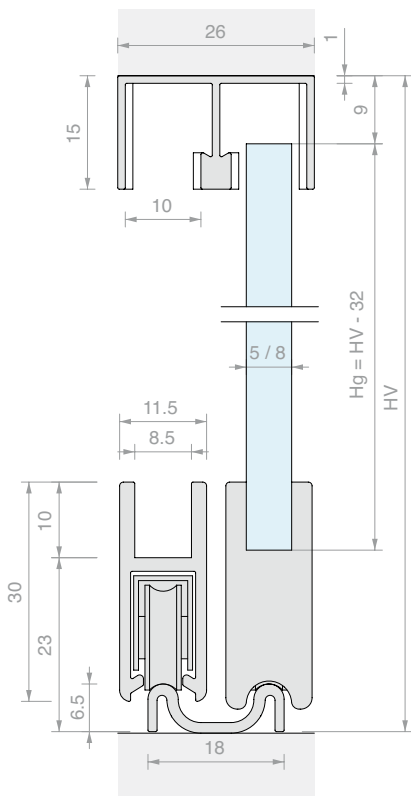
SUPRA BURGLAR-RESISTANT ACCESSORY

Material: Plastic

Colour: Transparent

Art.	Qty
W.606.420	1 Pc

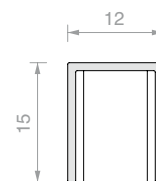
MOUNTING DIAGRAM



**SUPRA SINGLE UPPER GUIDE**

Material: Aluminium

Finish: /97

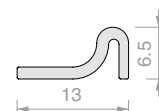


Art.	Length	Qty
W.606.220.250	2497 mm	1 Pc
W.606.220.500	5000 mm	1 Pc

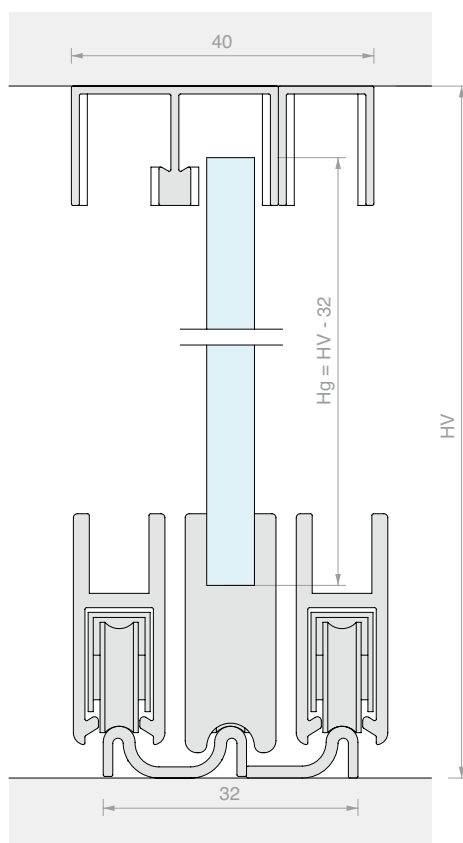
**SUPRA SINGLE LOWER TRACK**

Material: Aluminium

Finish: /97



Art.	Length	Qty
W.606.290.250	2497 mm	1 Pc
W.606.290.500	5000 mm	1 Pc

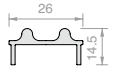
THREE-WAY MOUNTING DIAGRAM



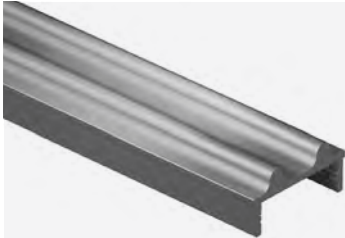
SUPRA FRAME PROFILE

Material: Aluminium

Finish: /97



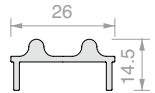
Art.	Length	Qty
W.606.110.250	2497 mm	1 Pc
W.606.110.500	5000 mm	1 Pc



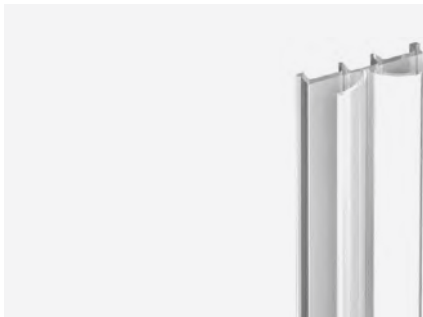
LOWER DOUBLE TRACK FOR INSERTING INTO SUPRA FRAME PROFILE

Material: Aluminium

Finish: /97



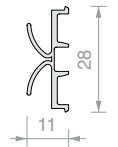
Art.	Length	Qty
W.606.100.250	2497 mm	1 Pc
W.606.100.500	5000 mm	1 Pc



SUPRA DUST-PROTECTION PROFILE

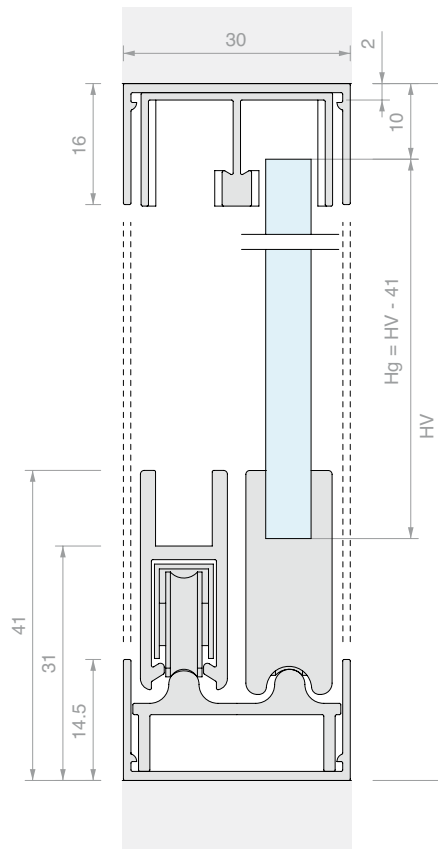
Material: Plastic

Colour: Transparent



Art.	Length	Qty
W.606.120.250	2497 mm	1 Pc
W.606.120.500	5000 mm	1 Pc

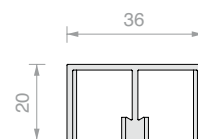
MOUNTING DIAGRAM WITH UPPER AND LOWER FRAME PROFILE



**ROBUSTUS DOUBLE UPPER GUIDE**

Material: Aluminium

Finish: /97

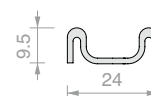


Art.	Length	Qty
W.610.020.250	2497 mm	1 Pc
W.610.020.500	5000 mm	1 Pc

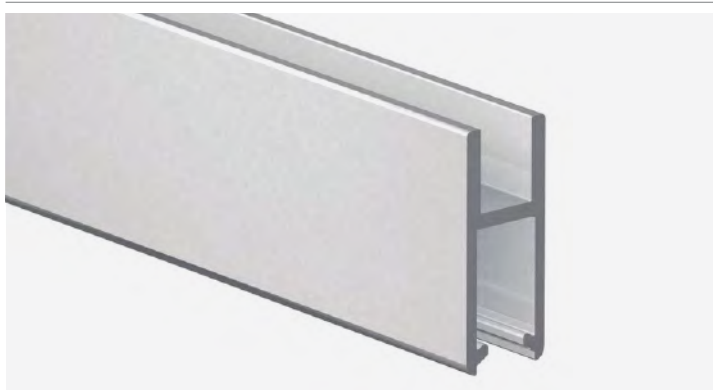
**ROBUSTUS DOUBLE LOWER TRACK**

Material: Aluminium

Finish: /97

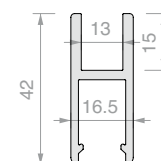


Art.	Length	Qty
W.610.090.250	2497 mm	1 Pc
W.610.090.500	5000 mm	1 Pc

**ROBUSTUS GLASS-HOLDER PROFILE**

Material: Aluminium

Finish: /97



Art.	Length	Qty
W.610.040.250	2497 mm	1 Pc
W.610.040.500	5000 mm	1 Pc

**ROBUSTUS CARRIER**

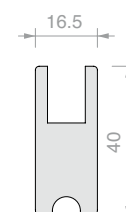
Material: Steel body, plastic roller

Art.	Load	Qty
W.610.050	70 kg per pair	1 Pc

**ROBUSTUS GLASS HOLDER END CAP**

Material: Zamak

Finish: /97



Art.	Qty
W.610.070	1 Pc

**TOOL FOR MOUNTING ROBUSTUS CARRIERS**

Art.	Qty
W.610.400	1 Pc

**ROBUSTUS HANDLE FOR SLIDING DOOR**

Material: Aluminium

Finish: /97

Art.	Qty
W.610.450	1 Pc

**GLASS FITTING GASKET**

Material: Plastic

For use with profile Art. W.610.040.

Colour: Transparent

Art.	For glass	Qty
W.610.320	10 mm	1 m

**SECURA LOCK FOR ROBUSTUS SERIES**

Material: Aluminium

Requires adaptor W.610.600

Finish: /97

Art.	Wrench	Qty
W.610.620U	Single	1 Pc
W.610.620D	Different	1 Pc
W.606.640	Wrench for removing cylinder	1 Pc

**ADAPTOR FOR SECURA LOCK FOR ROBUSTUS SERIES**

Material: Aluminium

Finish: /97

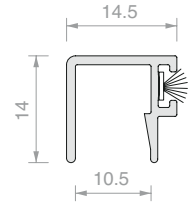
Art.	Qty
W.610.600	1 Pc



VERTICAL DUST-PROOF PROFILE WITH BRUSH

Material: Aluminium

Finish: /97



Art.	Length	For glass	Qty
W.610.370.250	2497 mm	10 mm	1 Pc
W.610.370.500	5000 mm	10 mm	1 Pc



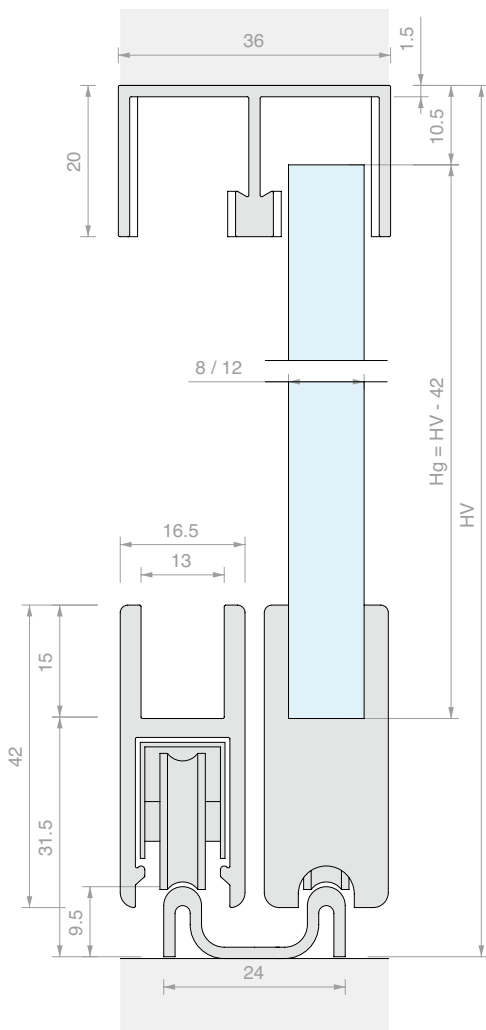
ROBUSTUS BURGLAR-RESISTANT ACCESSORY

Material: Plastic

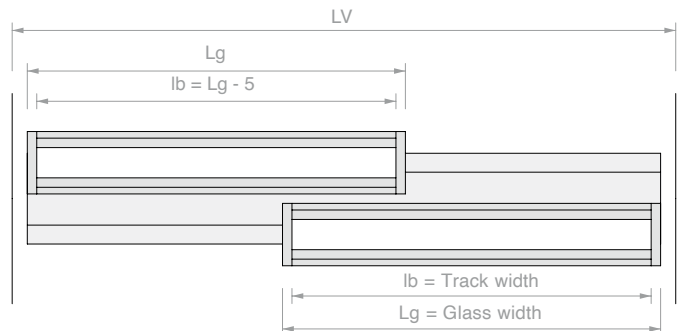
Colour: Transparent

Art.	Qty
W.610.420	1 Pc

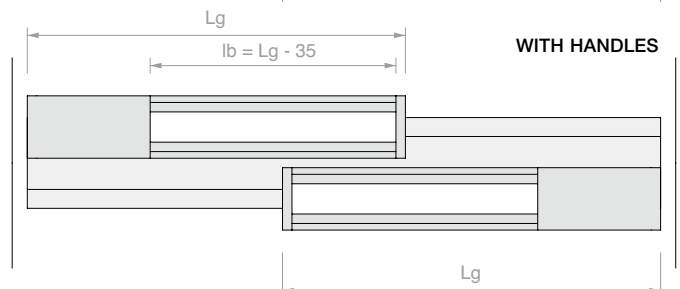
MOUNTING DIAGRAM



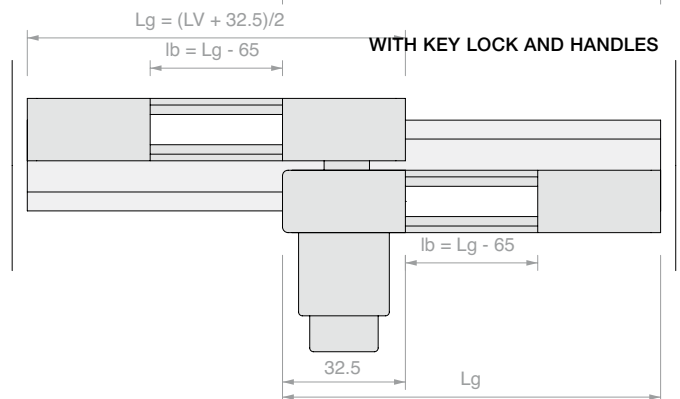
ONLY WITH SIDE CAPS



WITH HANDLES



WITH KEY LOCK AND HANDLES



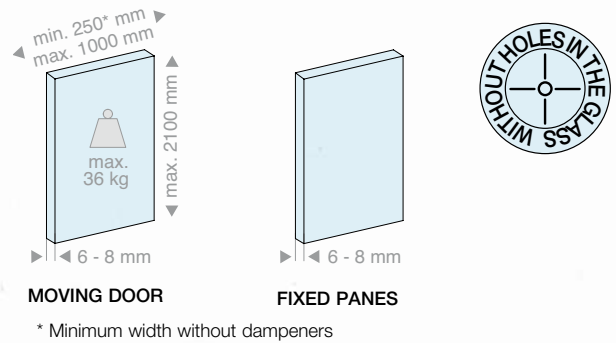
CLIPO 36

Closure systems for showcases with sliding profiles

The CLIPO 36 system allows small showcases to be created for every installation: inset, ceiling, or wall tracks.

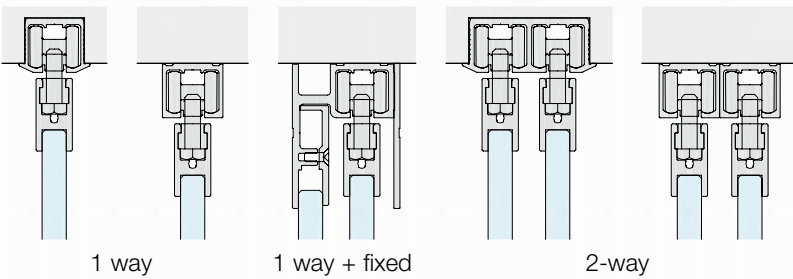
The system is designed for sashes max L 1000 mm x H 2100 mm and a thickness from 6 to 8 mm in two different configurations: with upper and lower glass-holder profile, model GPPK, or with upper glass-holder profile and U-shaped lower guide, model GPK.

The CLIPO 36 model also allows for panes up to 36 kg with the dampened closure system. Available finishes: matt aluminium, satin-finish stainless steel, and matt black.

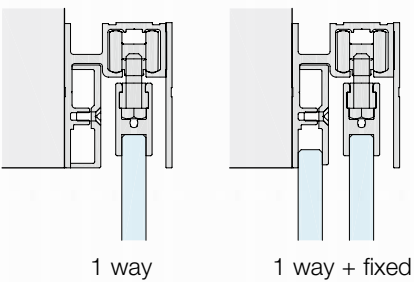


2 types of installation

Ceiling



Wall



2 types of door installation

GPPK - with upper and lower glass-holder profile



GPK - with upper glass-holder profile and lower U-shaped guide

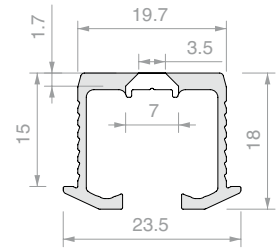






CLIPO 36 SINGLE TRACK FOR FLUSH MOUNTING

Material: Aluminium
 Pre-drilled profile with 150-mm hole-pitch
 Finish: **/6** /88 /97

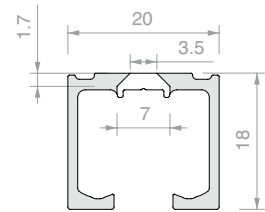


Art.	Length	Qty
053.3324.200	1997 mm	1 Pc
053.3324.300	2998 mm	1 Pc
053.3324.600	6000 mm	1 Pc



CLIPO 36 SINGLE TRACK FOR CEILING MOUNTING

Material: Aluminium
 Pre-drilled profile with 150-mm hole pitch
 Finish: **/6** /88 /97

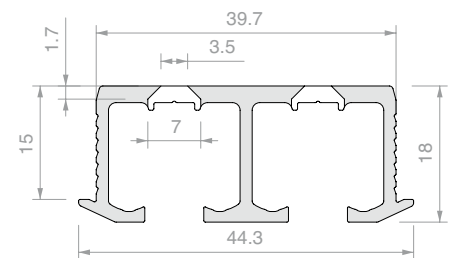


Art.	Length	Qty
053.3326.200	1997 mm	1 Pc
053.3326.300	2998 mm	1 Pc
053.3326.400	3998 mm	1 Pc
053.3326.600	6000 mm	1 Pc



CLIPO 36 DOUBLE TRACK FOR FLUSH MOUNTING

Material: Aluminium
 Pre-drilled profile with 150-mm hole pitch
 Finish: **/6** /88 /97



Art.	Length	Qty
053.3342.200	1997 mm	1 Pc
053.3342.300	2998 mm	1 Pc
053.3342.600	6000 mm	1 Pc



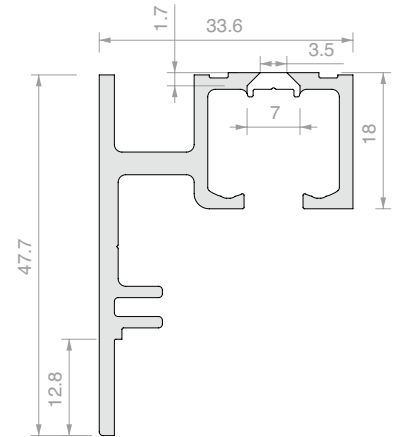
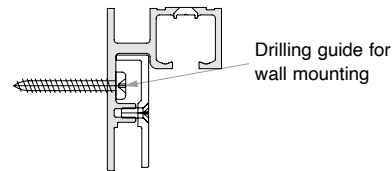
SINGLE TRACK FOR MOUNTING ON THE WALL OR CEILING WITH OR WITHOUT FIXED GLASS CLIPO 36

Material: Aluminium

Pre-drilled ceiling profile with 150-mm hole pitch.

For wall mounting, drill following the guide provided

Finish: /6 /88 /97



Art.	Length	For glass	Qty
053.3338.200	1997 mm	From 6 to 8 mm	1 Pc
053.3338.300	2998 mm	From 6 to 8 mm	1 Pc
053.3338.400	3998 mm	From 6 to 8 mm	1 Pc
053.3338.600	6000 mm	From 6 to 8 mm	1 Pc

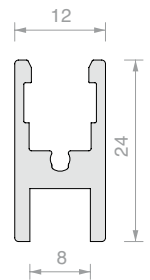


CLIPO 36 GLASS-HOLDER PROFILE

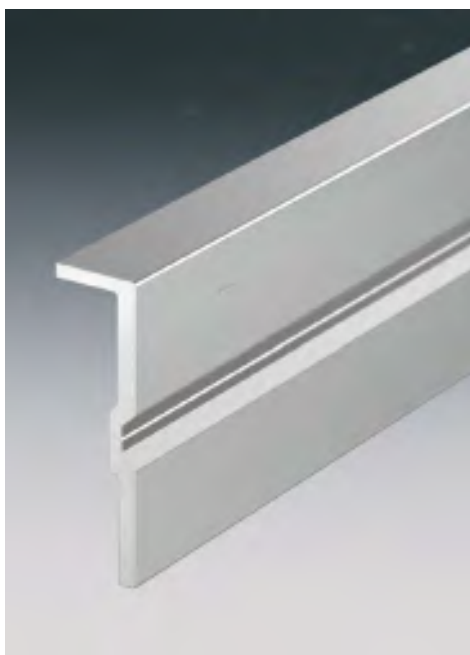
Material: Aluminium

Finish: /6 /88 /97

Note: Apply silicone along the entire length of the profile.



Art.	Length	For glass	Qty
053.3072.100	996 mm	From 6 to 8 mm	1 Pc
053.3072.200	1997 mm	From 6 to 8 mm	1 Pc
053.3072.300	2998 mm	From 6 to 8 mm	1 Pc
053.3072.600	6000 mm	From 6 to 8 mm	1 Pc

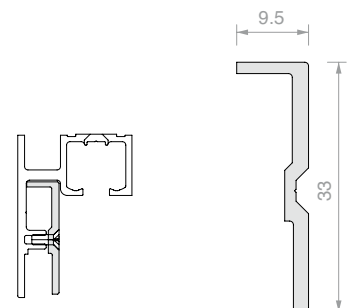


CLIPO 36 SUPPORT PROFILE FOR FIXED GLASS

Material: Aluminium

Finish: /6 /88 /97

Note: To fix the profile to the track, use M3 x 8 mm screws Art. **VIT965-3x8-ZN**



Art.	Length	Qty
053.3071.300	3000 mm	1 Pc

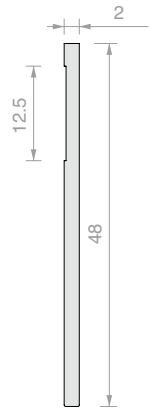
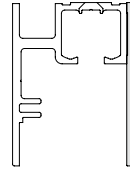


CLIPO 36 COVER FOR TRACK 053.3338

Materiale: Aluminium

Finish: /6 /88 /97

Note: Apply using double-sided adhesive along the entire length.



Art.	Length	Qty
053.3075.300	3000 mm	1 Pc



CLIPO 36 GPPK LEAF SLIDING KIT

The kit requires glass-holder profile 053.3372 both above and below.

Side caps included only in black finish.

Art.	For glass	Qty
053.3361.072	From 6 to 8 mm	1 Pc



CLIPO 36 GPK LEAF SLIDING KIT

The kit requires glass-holder profile 053.3372 only above.

Side caps included only in black finish.

Finish: /3 /97 /R2

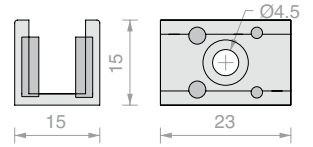
Art.	For glass	Qty
053.3361.071	From 6 to 8 mm	1 Pc



LOWER GUIDE FOR CLIPO 36 GPK

Material: Brass

Finish: /3 /97 /R2



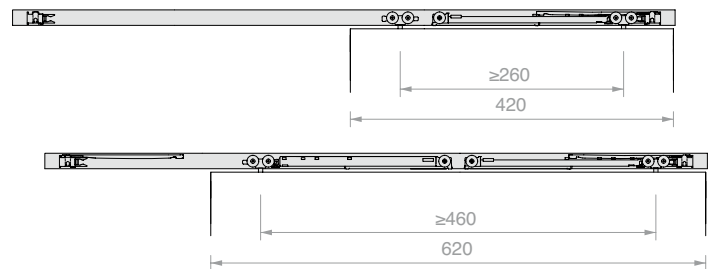
Art.	For glass	Qty
LMGF15	From 6 to 8 mm	1 Pc



2 CLIPO 36 DAMPENERS

Minimum leaf width to install 1 dampener 420 mm

Minimum leaf width to install 2 dampeners 620 mm



Art.	Load	Qty
057.3159.071	Up to 15 kg	1 Pc
057.3159.072	Up to 26 kg	1 Pc
057.3159.073	Up to 36 kg	1 Pc

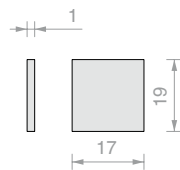


**CAP FOR TRACK 053.3326
CLIPO 36**

Material: Aluminium

Finish: /6 /88 /97

Note: Install by applying silicone to the entire surface of the cap.



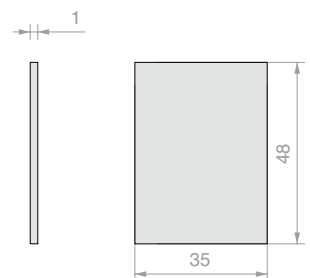
Art.	Qty
LM17019TP10	1 Pc

**CAP FOR TRACK 053.3338
CLIPO 36**

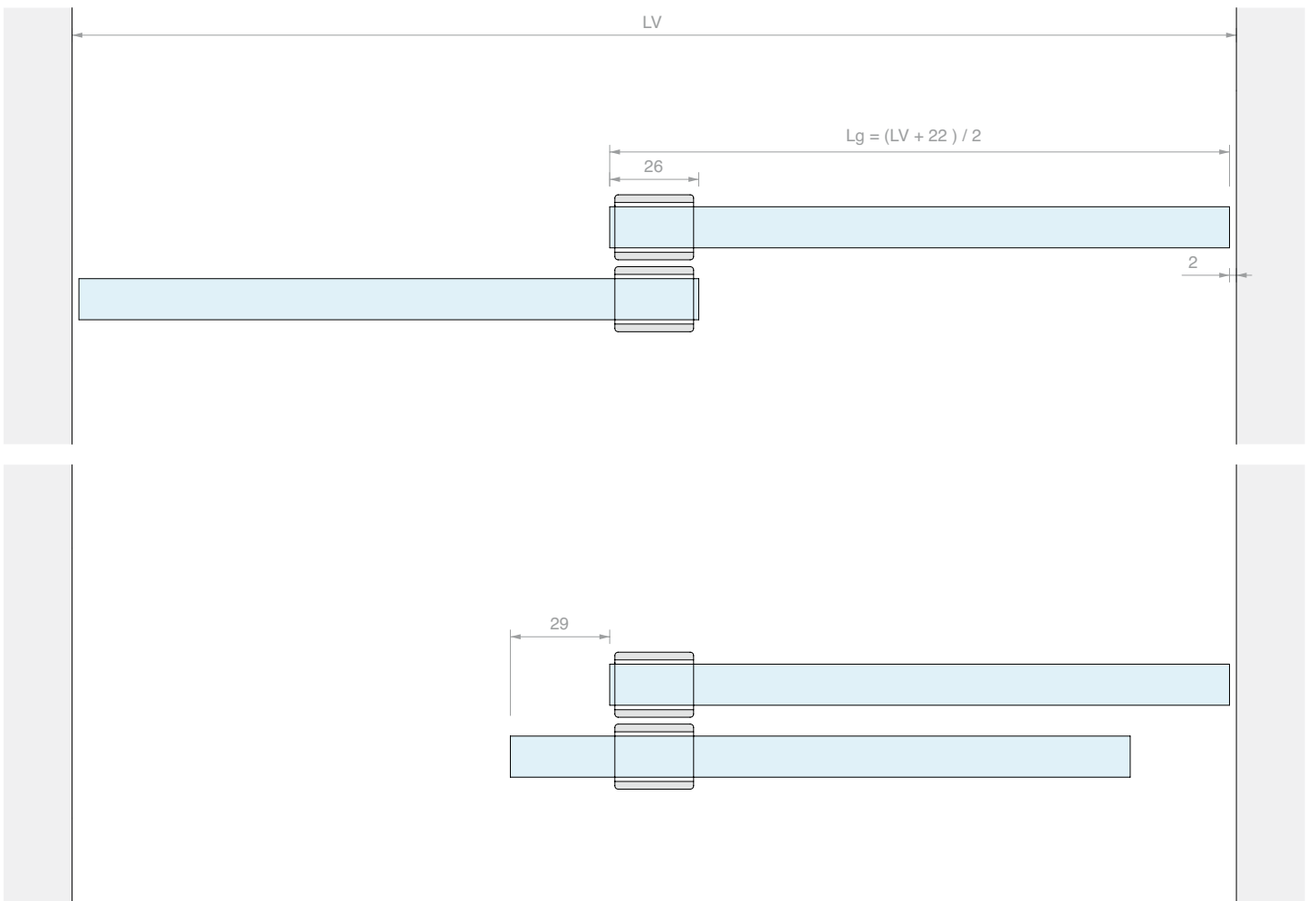
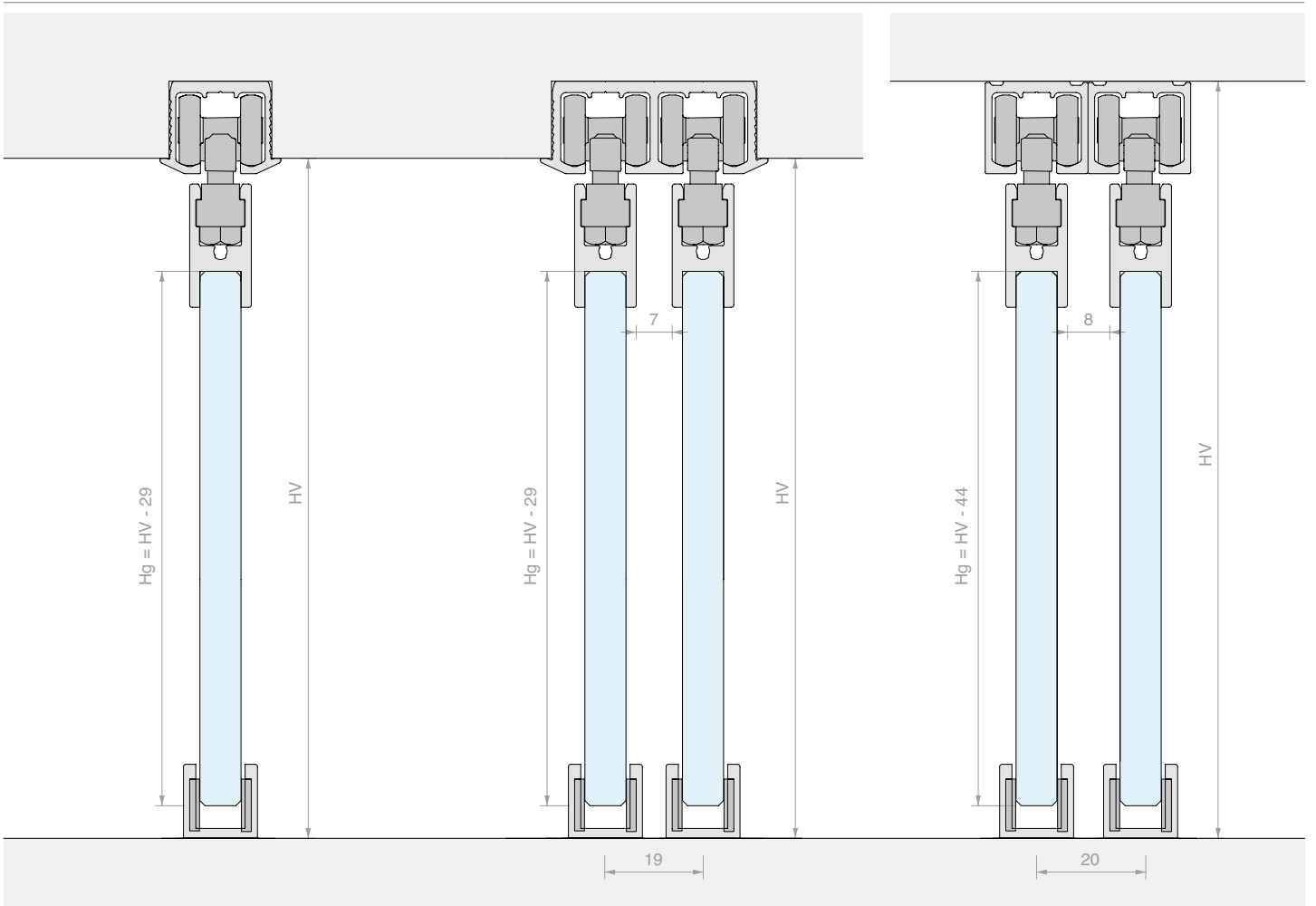
Material: Aluminium

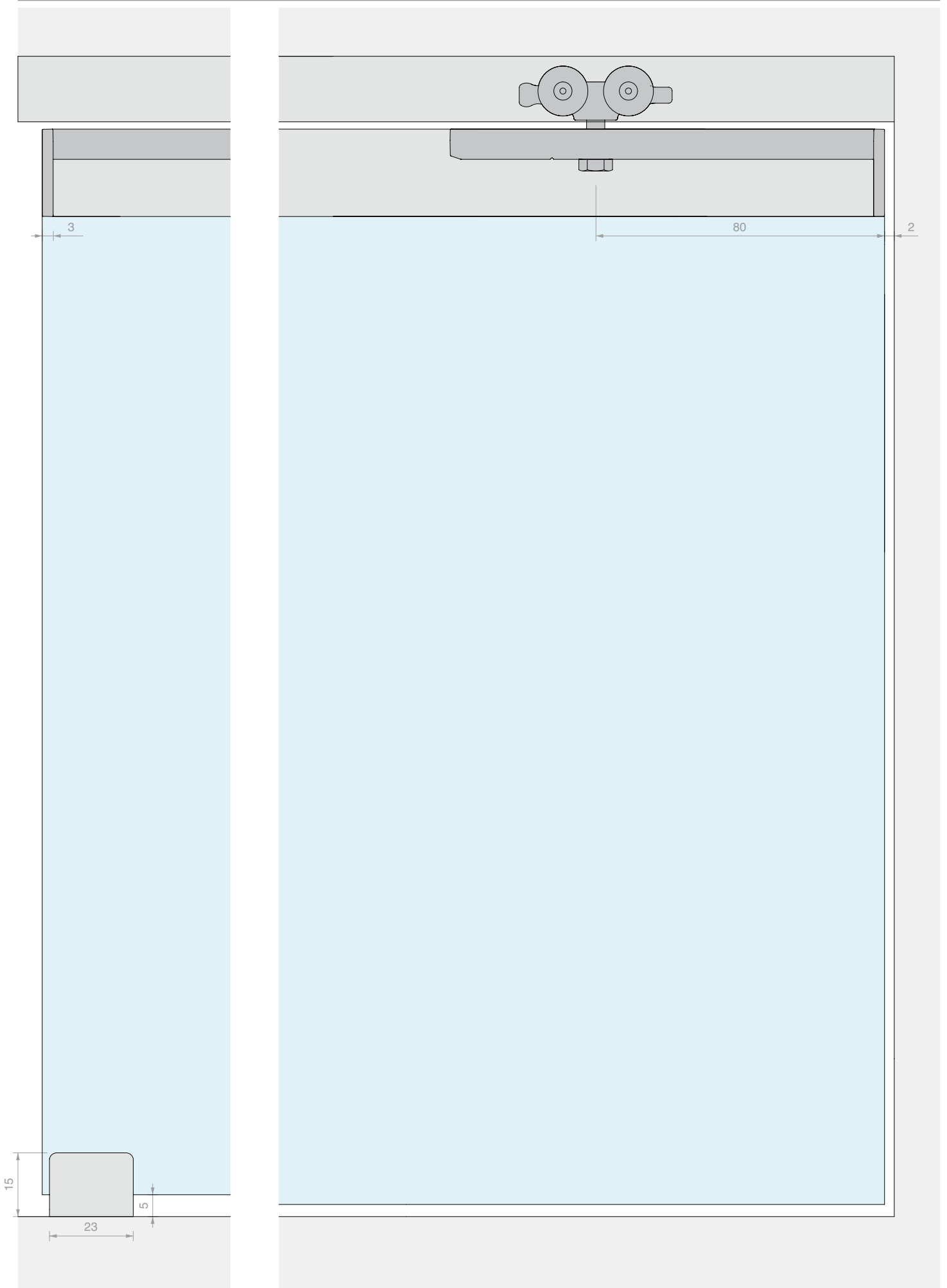
Finish: /6 /88 /97

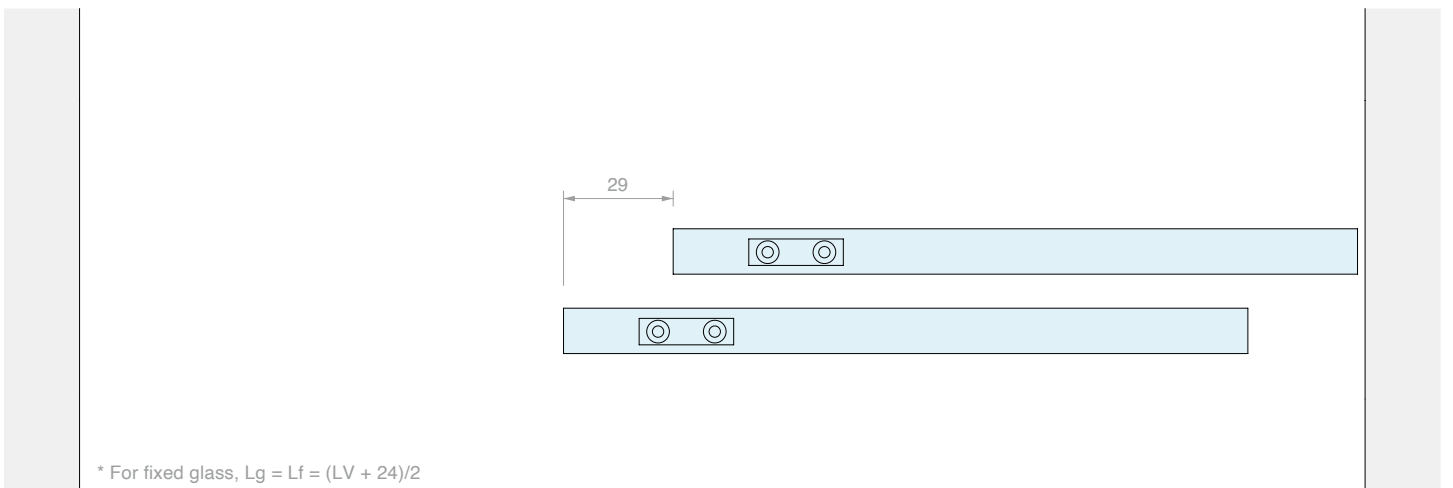
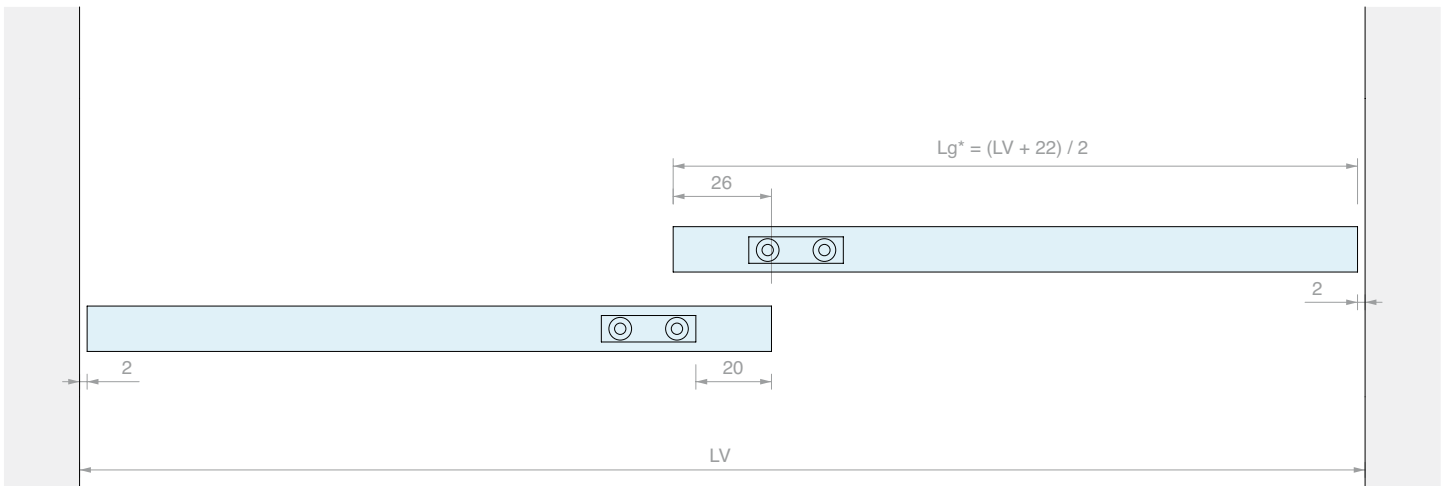
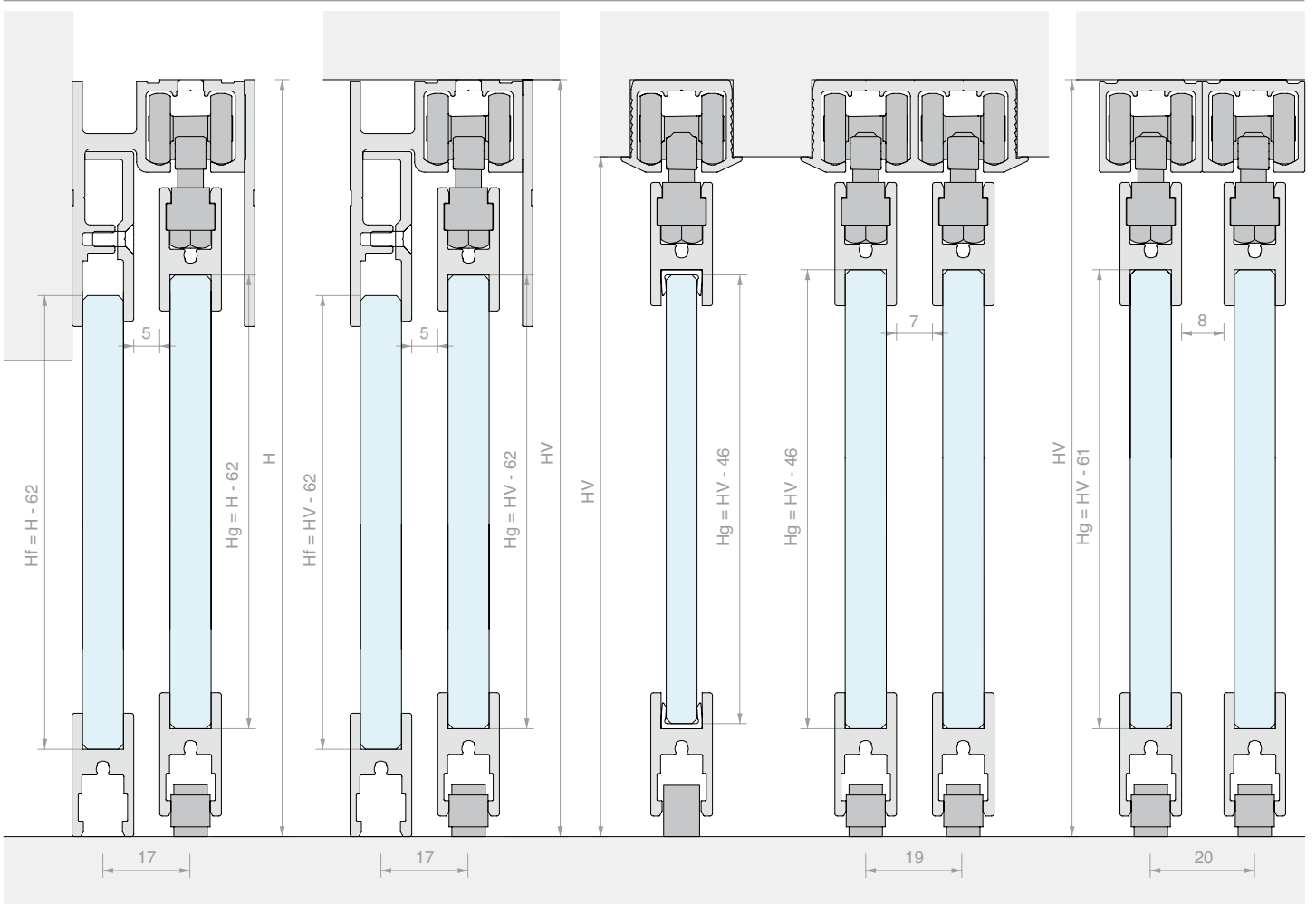
Note: Install by applying silicone to the entire surface of the cap.



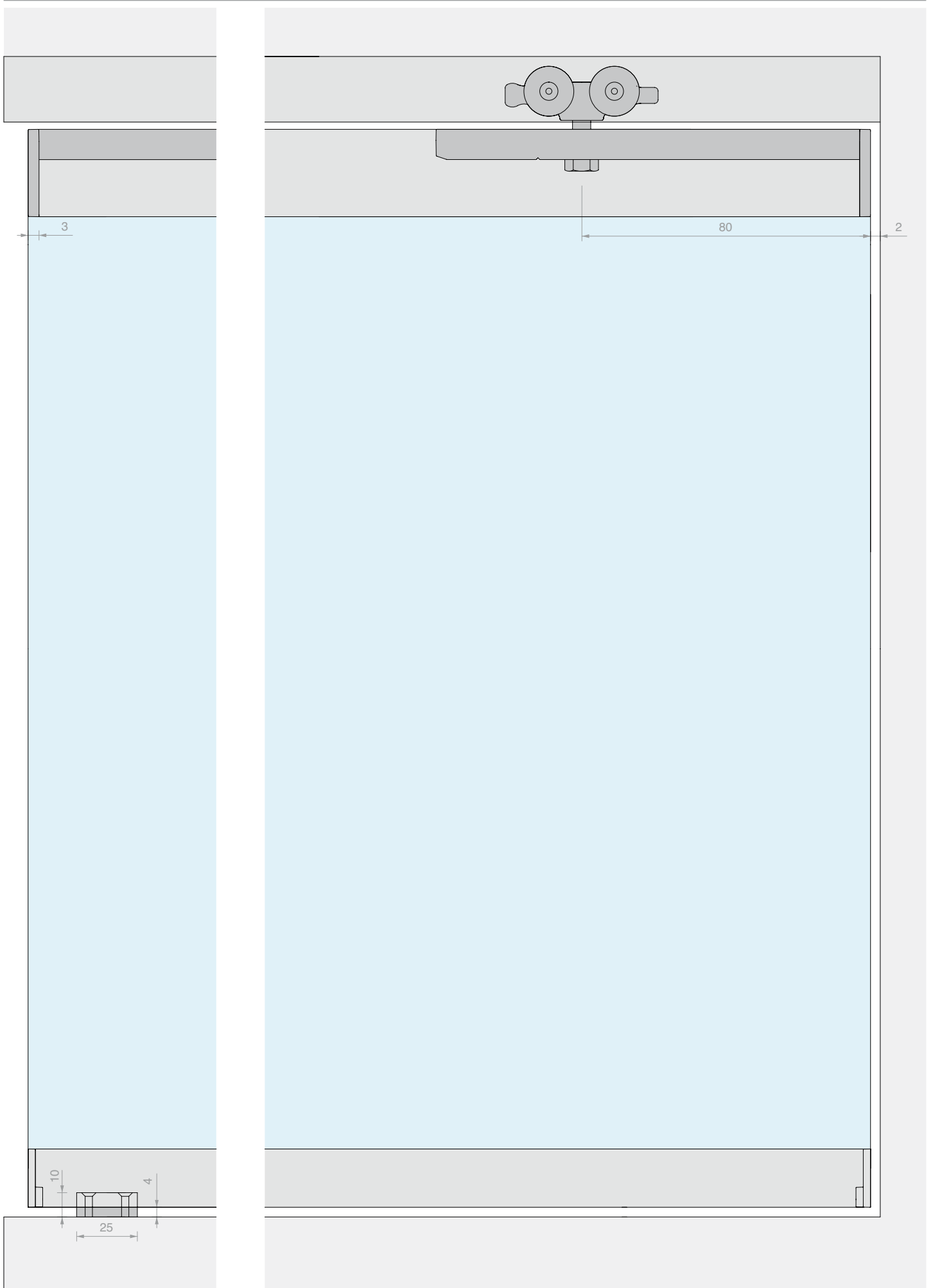
Art.	Qty
LM48035TP10	1 Pc







* For fixed glass, $L_g = L_f = (LV + 24) / 2$



PV SERIES

Closure systems for showcases with sliding profiles

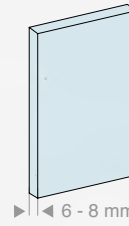
Choose Logli's PV series of systems for small windows. The light weight of the glass combines with the strength of aluminium.

With POM rollers in the carriers, the system is even quieter, guaranteeing fluid movement and enviable durability.

Profiles available in 3 finishes: matt aluminium, satin-finish stainless steel, and matt black.



MOVING DOOR

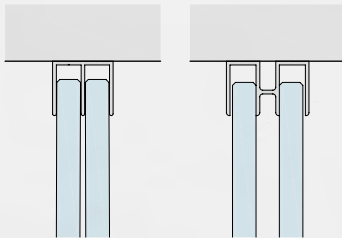


FIXED PANES



2 types of installation

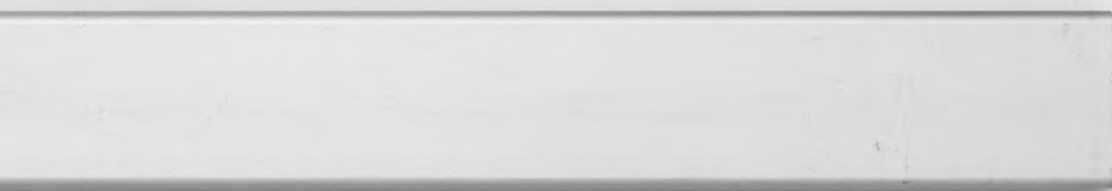
Ceiling

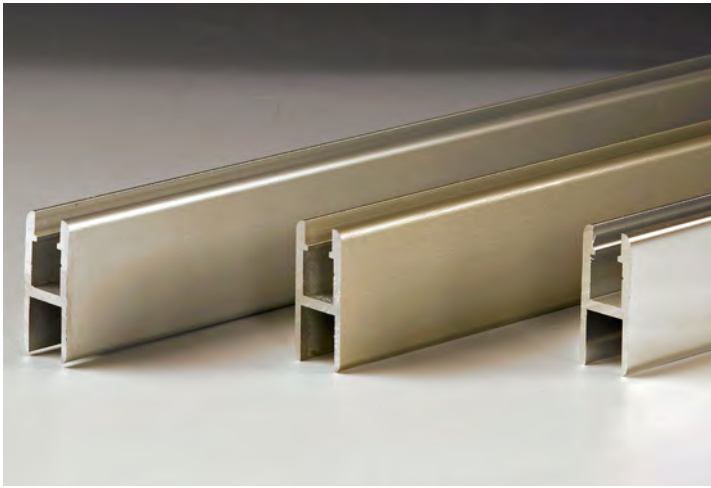


2-way

Door type





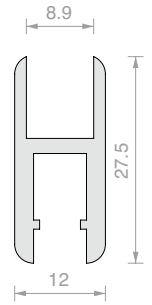


GLASS HOLDER PROFILE

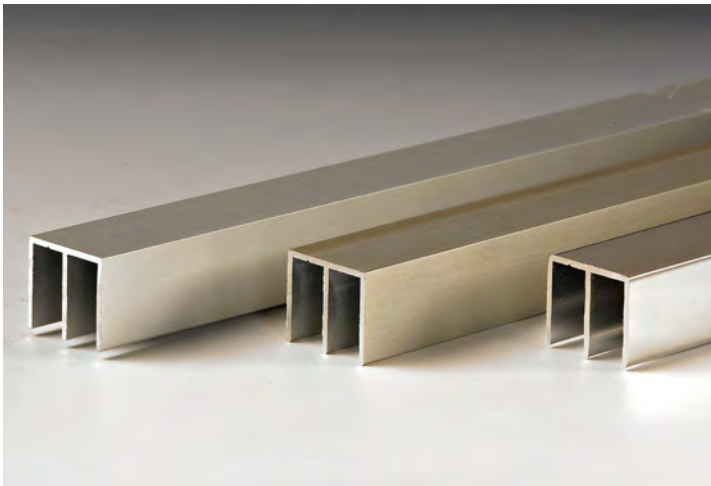
Material: Aluminium

Finish: /6 /88 /97

Note: Install the glass using silicone



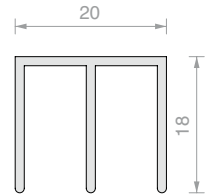
Art.	Length	For glass	Qty
PV053000	3000 mm	From 6 to 8 mm	1 Pc



NARROW UPPER GUIDE

Material: Aluminium

Finish: /6 /88 /97



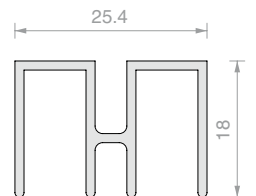
Art.	Length	Qty
G953000	3000 mm	1 Pc



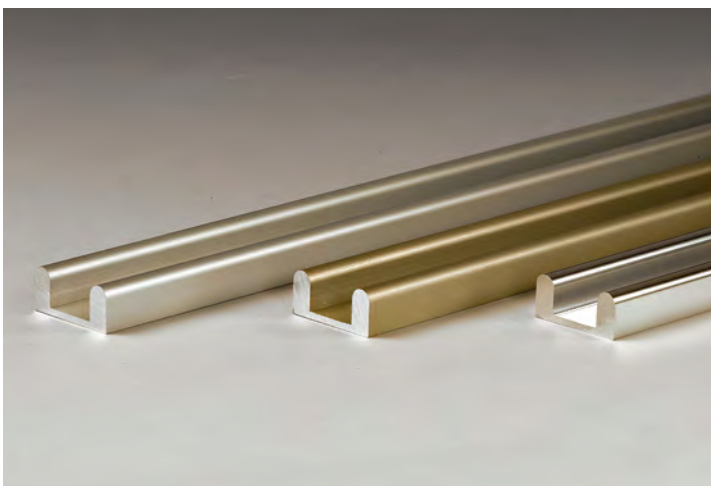
UPPER GUIDE

Material: Aluminium

Finish: /6 /88 /97



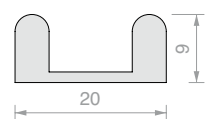
Art.	Length	Qty
G933000	3000 mm	1 Pc



LOWER TRACK

Material: Aluminium

Finish: /6 /88 /97



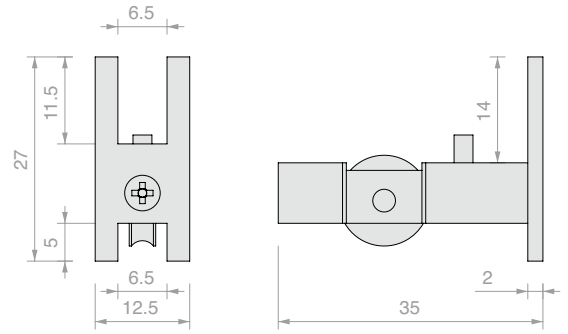
Art.	Length	Qty
B273000	3000 mm	1 Pc



OPEN CARRIER

Material: Aluminium body, plastic roller

Finish: /97



Art.

CUSC006

Qty

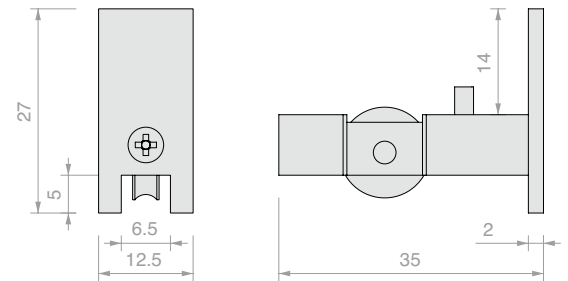
1 Pc



CLOSED CARRIER

Material: Aluminium body, plastic roller

Finish: /97

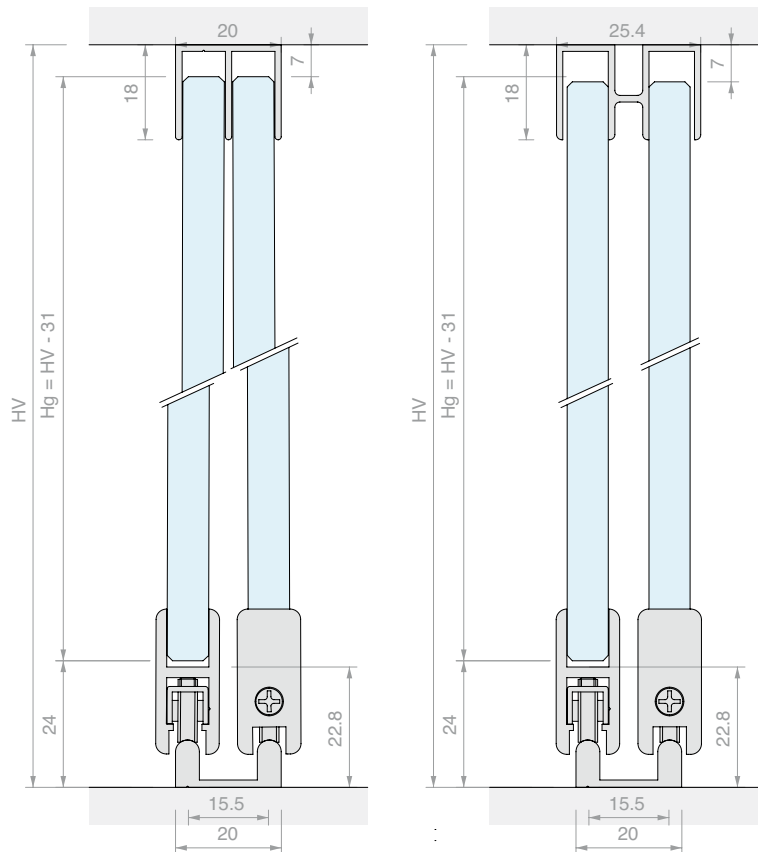


Art.

CUSC007

Qty

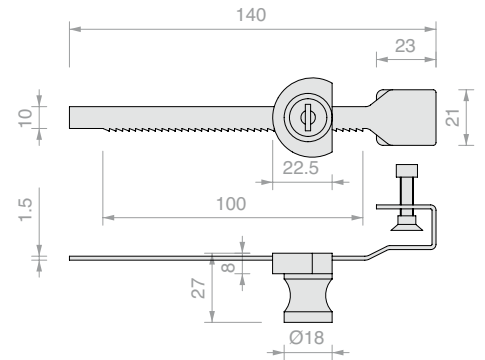
1 Pc





RACK LOCK

Material: Brass
 Provided with two keys
 Finish: /1

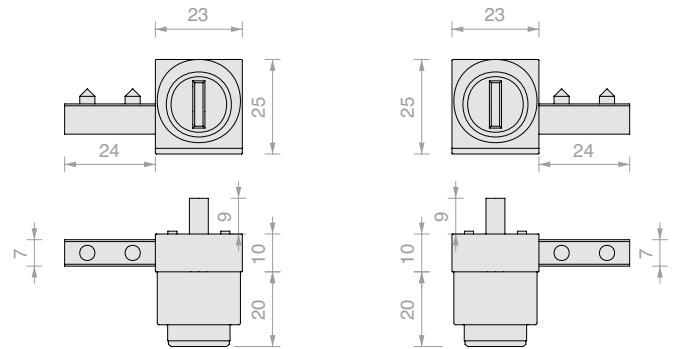


Art.	Key	For glass	Qty
SER004U	Single	From 4 to 8 mm	1 Pc



LOCK FOR SLIDING PV PROFILE

Material: Zamak
 Finish: /6 /95 /97

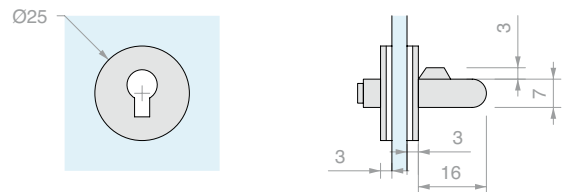


Art.	Key	Qty
SER23SX	Single	1 Pc
SER23DX	Single	1 Pc



LOCK FOR SLIDING SHOWCASES KYR31

Material: Brass
 Recommended glass hole size: Ø16 mm
 Provided with two keys
 Finish: /1

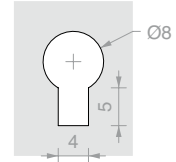


Art.	Key	Pin	For glass	Qty
SERKYR31	Single	Ø7 x 16 mm	From 5 to 6 mm	1 Pc

**LOCK FOR SLIDING SHOWCASES KYR30**

Material: Brass
 Provided with two keys
 Finish: /1

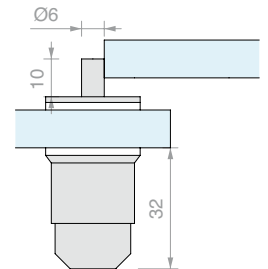
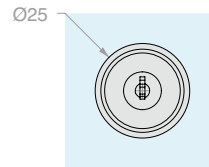
Drilling template



Art.	Key	Qty
SERKYR30	Single	1 Pc

**LOCK FOR SLIDING SHOWCASES 007**

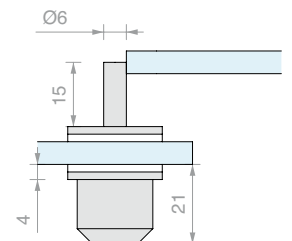
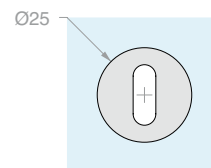
Material: Brass
 Recommended glass hole size: Ø17 mm
 Provided with two keys
 Finish: /1



Art.	Key	Pin	For glass	Qty
SER007	Single	Ø6 x 10 mm	From 4 to 10 mm	1 Pc

**LOCK FOR SLIDING SHOWCASES 006**

Material: Brass
 Recommended glass hole size: Ø17 mm
 Provided with two keys
 Finish: /95



Art.	Key	Pin	For glass	Qty
SER006	Single	Ø6 x 15 mm	From 5 to 6 mm	1 Pc

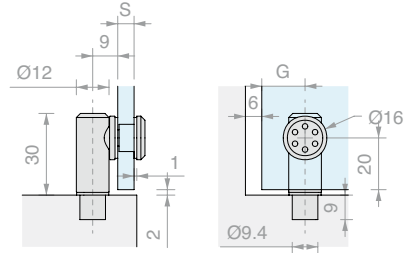




WOOD/GLASS HINGE SVL2

Material: AISI 304 stainless steel
 Recommended glass hole size: Ø12 mm
 Finish: /9

S	G
6	30
8	36
10	42



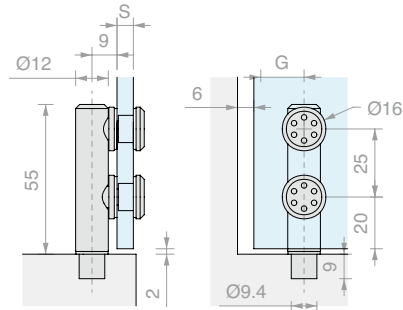
Art.	For glass - S	Qty
SVL2	From 6 to 10 mm	1 Pc



WOOD/GLASS HINGE SVL14

Material: AISI 304 stainless steel
 Recommended glass hole size: Ø12 mm
 Finish: /9

S	G
6	30
8	36
10	42



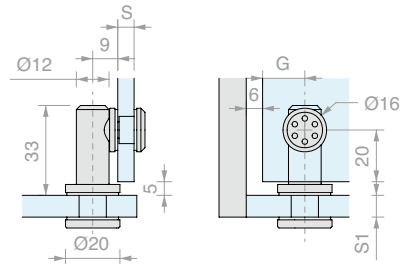
Art.	For glass - S	Qty
SVL14	From 6 to 10 mm	1 Pc



GLASS/GLASS HINGE SVV1

Material: AISI 304 stainless steel
 Recommended window glass hole size: Ø12 mm
 Recommended base glass hole size: Ø14 mm
 Finish: /9

S	G
6	30
8	36
10	42



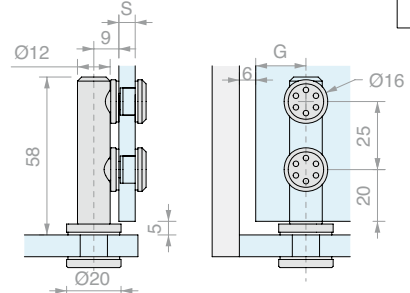
Art.	Base glass	Window glass - S	Qty
SVV1	From 8 to 10 mm	From 6 to 10 mm	1 Pc



GLASS/GLASS HINGE SVV16

Material: AISI 304 stainless steel
 Recommended window glass hole size: Ø12 mm
 Recommended base glass hole size: Ø14 mm
 Finish: /9

S	G
6	30
8	36
10	42



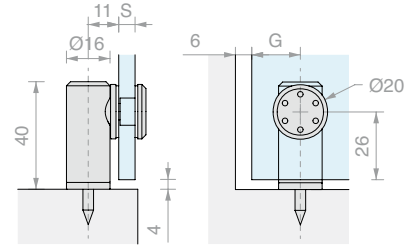
Art.	Base glass	Window glass - S	Qty
SVV16	From 8 to 10 mm	From 6 to 10 mm	1 Pc



WOOD/GLASS HINGE SVL7

Material: AISI 304 stainless steel
 Recommended glass hole size: Ø14 mm
 Finish: /9

S	G
6	30
8	36
10	42



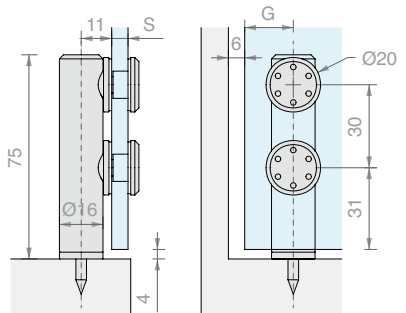
Art.	For glass - S	Qty
SVL7	From 6 to 10 mm	1 Pc



WOOD/GLASS HINGE SVL70

Material: AISI 304 stainless steel
 Recommended glass hole size: Ø14 mm
 Finish: /9

S	G
6	30
8	36
10	42



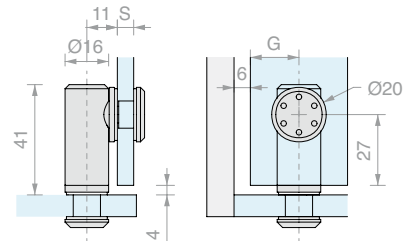
Art.	For glass - S	Qty
SVL70	From 6 to 10 mm	1 Pc



GLASS/GLASS HINGE SVV5

Material: AISI 304 stainless steel
 Recommended window glass hole size: Ø14 mm
 Recommended base glass hole size: Ø10 mm
 Finish: /9

S	G
6	30
8	36
10	42



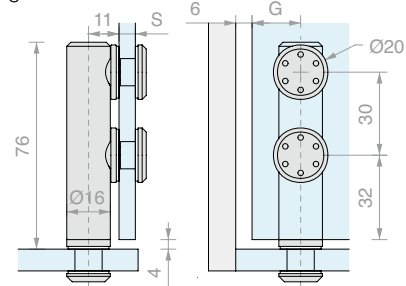
Art.	Base glass	Window glass - S	Qty
SVV5	From 8 to 10 mm	From 6 to 10 mm	1 Pc



GLASS/GLASS HINGE SVV72

Material: AISI 304 stainless steel
 Recommended window glass hole size: Ø14 mm
 Recommended base glass hole size: Ø10 mm
 Finish: /9

S	G
6	30
8	36
10	42



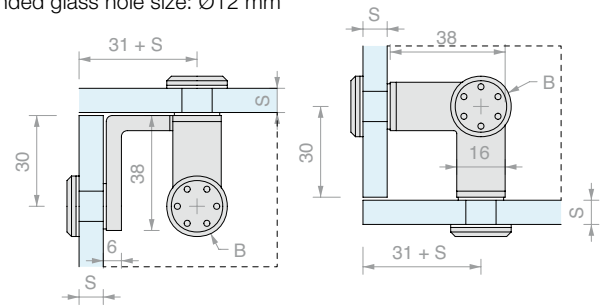
Art.	Base glass	Window glass - S	Qty
SVV72	From 8 to 10 mm	From 6 to 10 mm	1 Pc

**3-WAY ANGULAR FIXING**

Material: AISI 304 stainless steel

Recommended glass hole size: Ø12 mm

Finish: /8



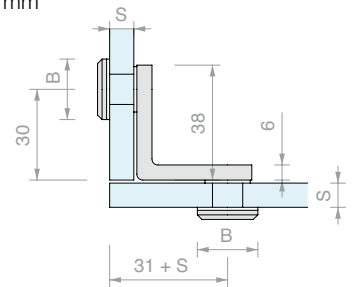
Art.	For glass - S	B	Qty
ANG316	From 6 to 10 mm	Ø16 mm	1 Pc
ANG320	From 6 to 10 mm	Ø20 mm	1 Pc

**90° ANGULAR FIXING**

Material: AISI 304 stainless steel

Recommended glass hole size: Ø12 mm

Finish: /8



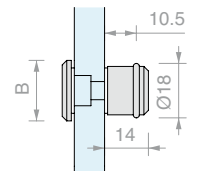
Art.	For glass - S	B	Qty
ANG216	From 6 to 10 mm	Ø16 mm	1 Pc
ANG220	From 6 to 10 mm	Ø20 mm	1 Pc

**SINGLE GLASS FIXING SUPPORT**

Material: AISI 304 stainless steel

Recommended glass hole size: Ø12 mm

Finish: /9



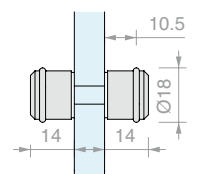
Art.	For glass	B	Qty
REG116	From 6 to 10 mm	Ø16 mm	1 Pc
REG120	From 6 to 10 mm	Ø20 mm	1 Pc

**DOUBLE GLASS FIXING SUPPORT**

Material: AISI 304 stainless steel

Recommended glass hole size: Ø12 mm

Finish: /9



Art.	For glass	Qty
REG150	From 6 to 10 mm	1 Pc

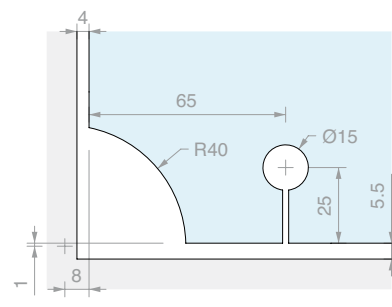
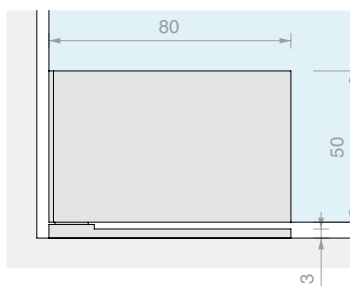
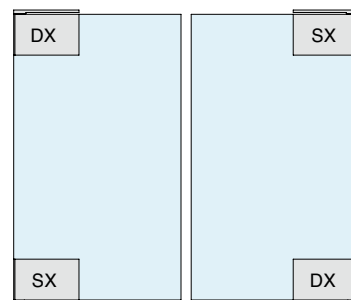
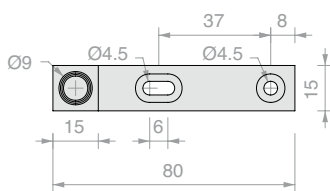




WOOD/GLASS PIVOT HINGE 80

Material: Brass

Finish: /1 /3



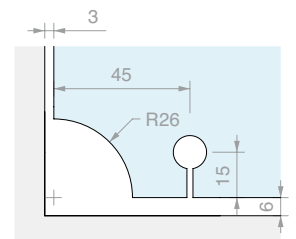
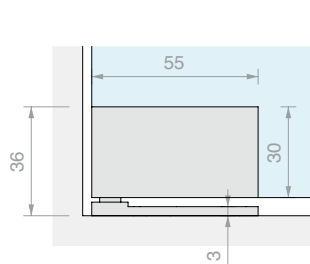
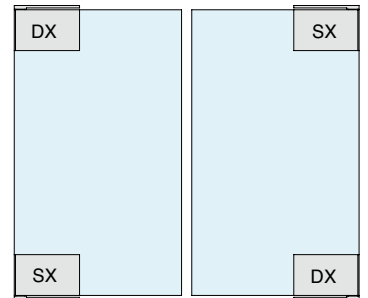
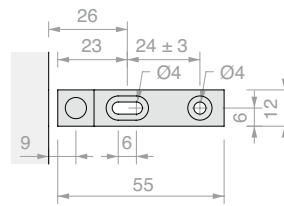
Art.	Position	Max. length	Max. load	For glass	Qty
CERBIL80SX	Left	650 mm	30 kg	From 8 to 10 mm	1 Pc
CERBIL80DX	Right	650 mm	30 kg	From 8 to 10 mm	1 Pc



WOOD/GLASS PIVOT HINGE 55

Material: Brass

Finish: /1 /2 /3



Art.	Position	Max. length	Max. load	For glass	Qty
CERBIL55SX	Left	450 mm	20 kg	From 6 to 8 mm	1 Pc
CERBIL55DX	Right	450 mm	20 kg	From 6 to 8 mm	1 Pc



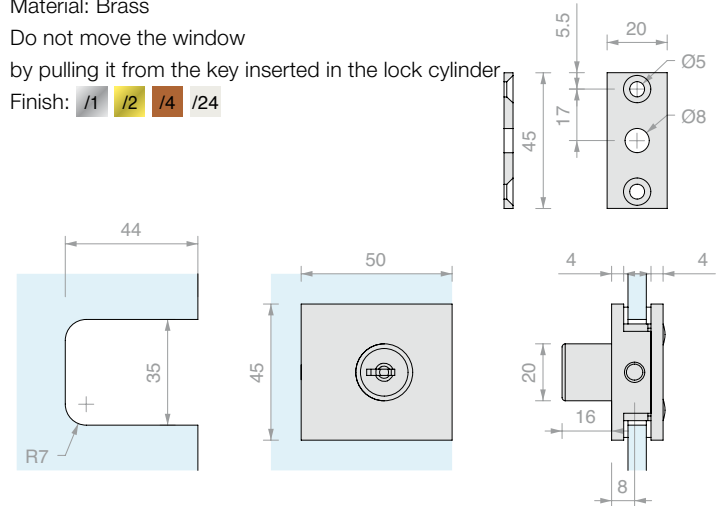
SERMAX SQUARE LOCK

Material: Brass

Do not move the window

by pulling it from the key inserted in the lock cylinder

Finish: /1 /2 /4 /24



Art.	Key	Pin	For glass	Qty
SERMAXU	Single	Ø6 x 11 mm	From 6 to 10 mm	1 Pc
SERMAXD	Different	Ø6 x 11 mm	From 6 to 10 mm	1 Pc

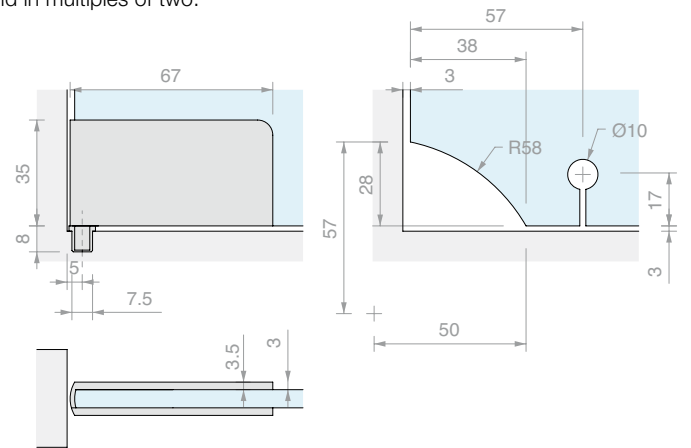


WOOD/GLASS PIVOT HINGE 305PA6

Material: Aluminium

Finish: /1 /94

Sold in multiples of two.



Art.	For glass	Qty
CER305PA6	6 mm	1 Pc

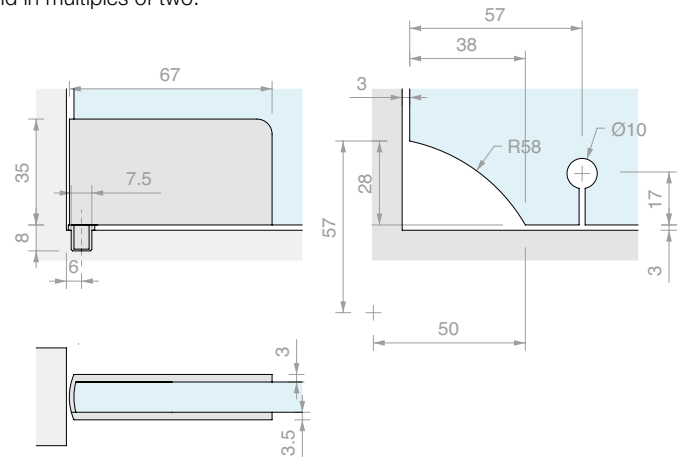


WOOD/GLASS PIVOT HINGE 305PG10

Material: Aluminium

Finish: /1 /94

Sold in multiples of two.



Art.	For glass	Qty
CE305PG10	10 mm	1 Pc

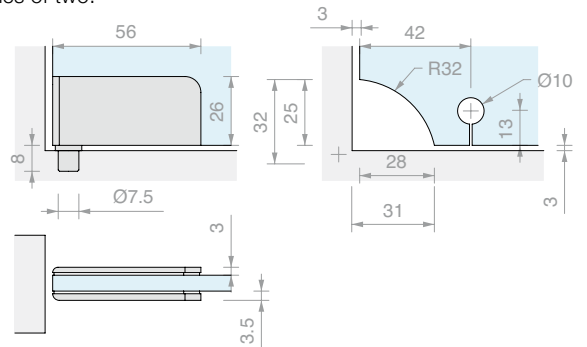


WOOD/GLASS PIVOT HINGE 305PB

Material: Aluminium

Finish: /1 /94

Sold in multiples of two.



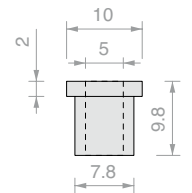
Art.	For glass	Qty
CER305PB	6 mm	1 Pc



STEEL BUSHING FOR CER305

Material: AISI 303 stainless steel

Finish: /9



Art.	Qty
CERBUS	1 Pc

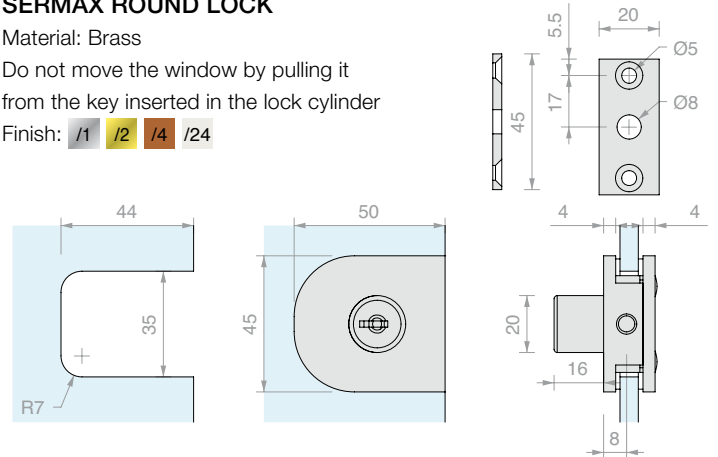


SERMAX ROUND LOCK

Material: Brass

Do not move the window by pulling it from the key inserted in the lock cylinder

Finish: /1 /2 /4 /24



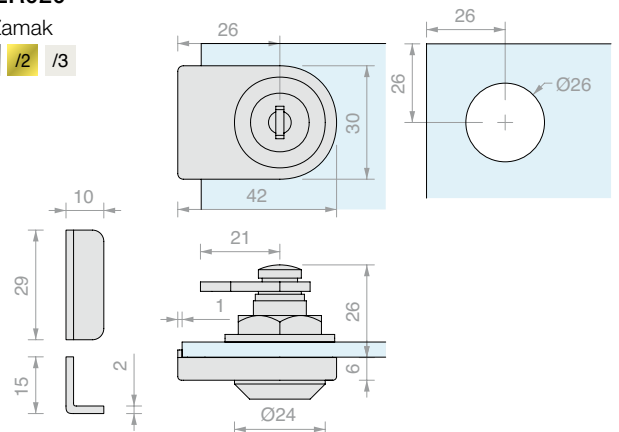
Art.	Key	Pin	For glass	Qty
SERMAX20U	Single	Ø6 x 11 mm	From 6 to 10 mm	1 Pc
SERMAX20D	Different	Ø6 x 11 mm	From 6 to 10 mm	1 Pc



LOCK SER020

Material: Zamak

Finish: /1 /2 /3



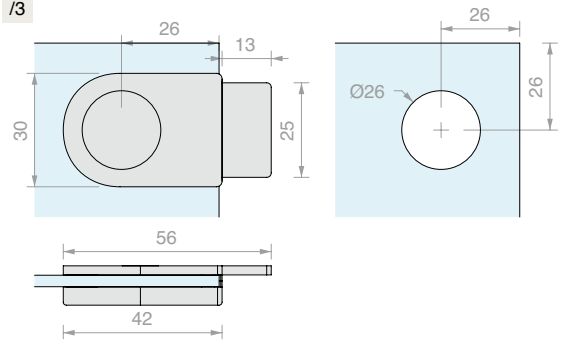
Art.	Key	For glass	Qty
SER020U	Single	From 4 to 10 mm	1 Pc
SER020D	Different	From 4 to 10 mm	1 Pc



COUNTERLOCK FOR SER020

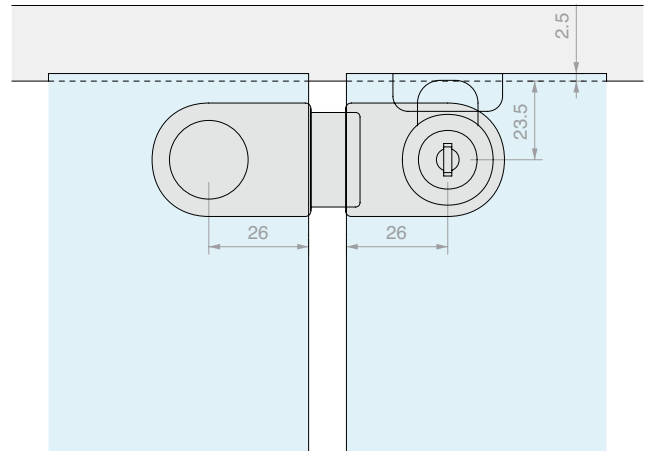
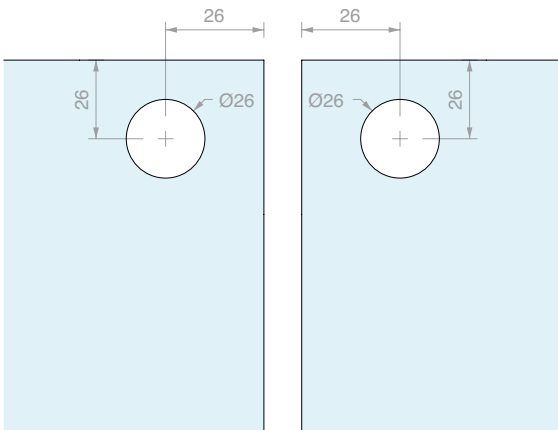
Material: Zamak

Finish: /1 /2 /3



Art.	For glass	Qty
SER021	From 4 to 10 mm	1 Pc

MOUNTING DIAGRAM SER020 AND SER021

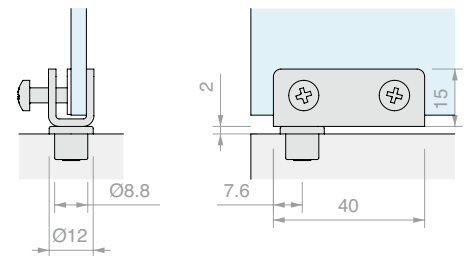


WOOD/GLASS PIVOT HINGE 560

Material: Aluminium

Finish: /1 /6

Sold in multiples of two.



Art.	For glass	Qty
CER560	6 mm	1 Pc

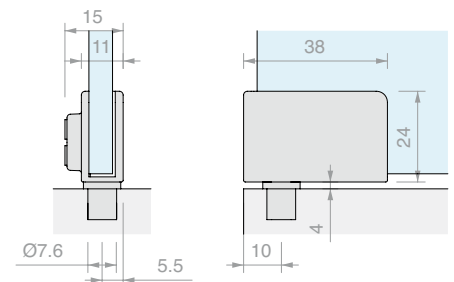


WOOD/GLASS PIVOT HINGE 560

Material: Aluminium

Finish: /1 /3

Sold in multiples of two.



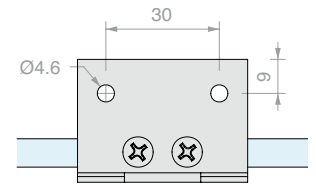
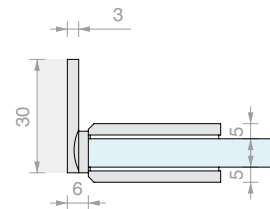
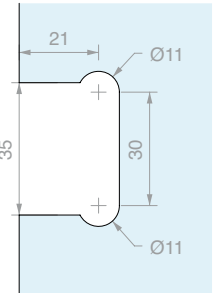
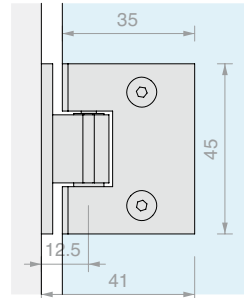
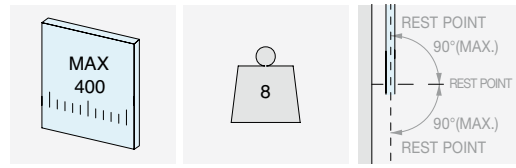
Art.	For glass	Qty
CER1173	6 mm	1 Pc



WALL/GLASS SQUARE SIDE SNAP HINGE

Material: Brass

Finish: /1 /2 /24



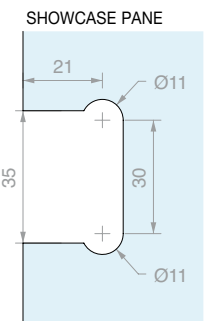
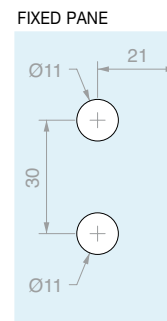
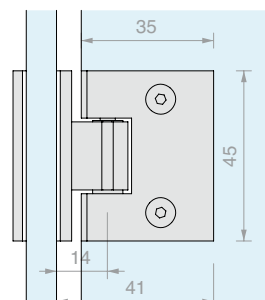
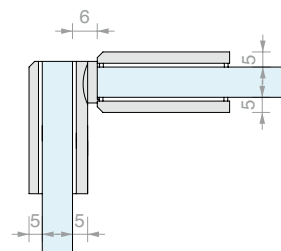
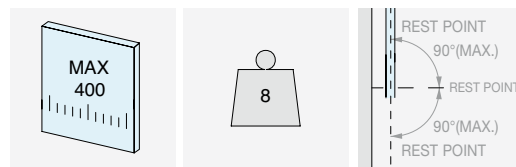
Art.	For glass	Qty
MINIHINGE10	From 6 to 8 mm	1 Pc



GLASS/GLASS 90° SQUARE SNAP HINGE

Material: Brass

Finish: /1 /2 /24



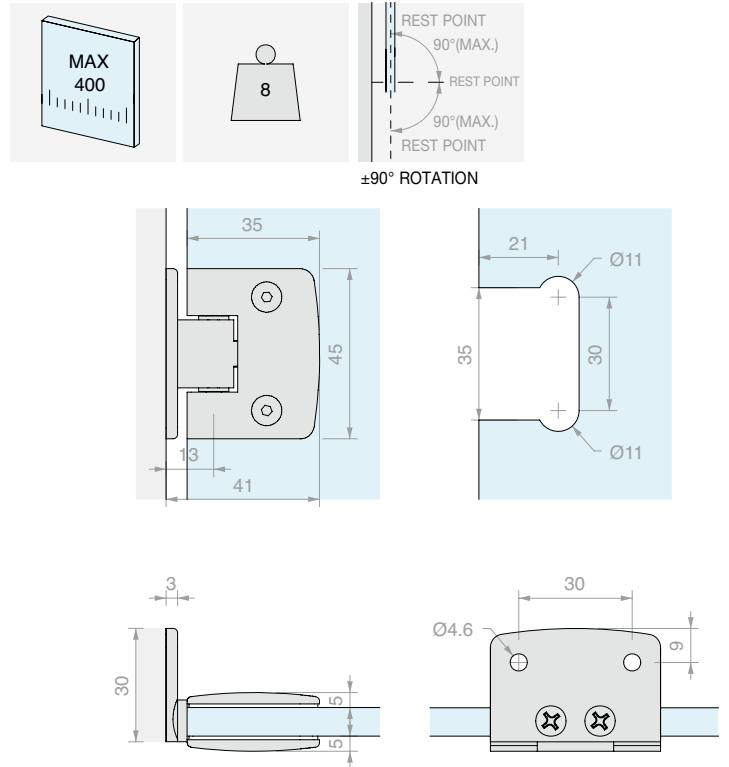
Art.	For glass	Qty
MINIHINGE90	From 6 to 8 mm	1 Pc



WALL/GLASS ROUNDED SIDE SNAP HINGE

Material: Brass

Finish: /1 /2 /24



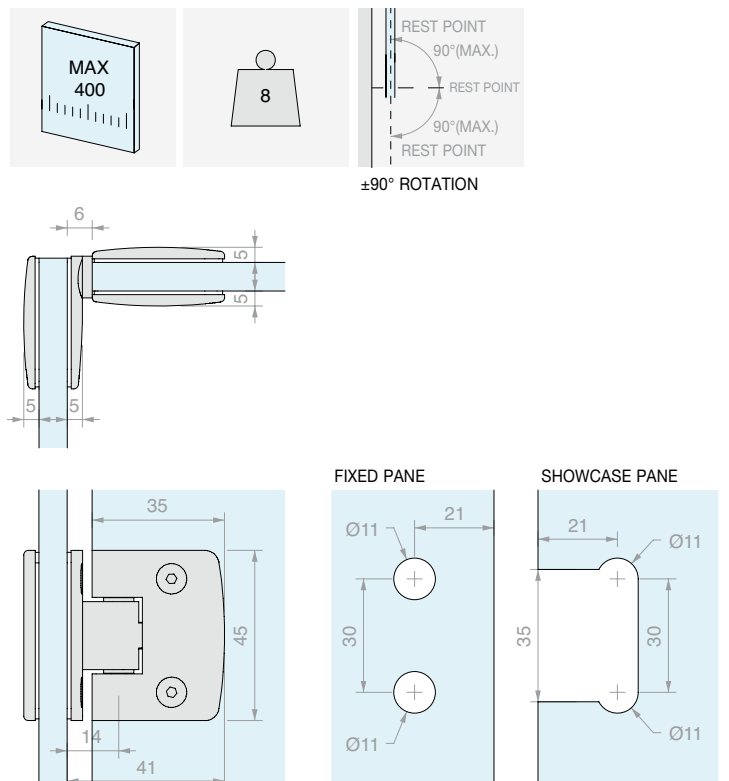
Art.	For glass	Qty
MINIHINGE20	From 6 to 8 mm	1 Pc



GLASS/GLASS 90° ROUNDED SNAP HINGE

Material: Brass

Finish: /1 /2 /24



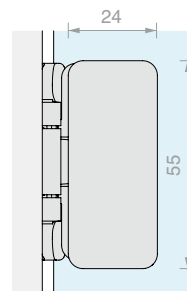
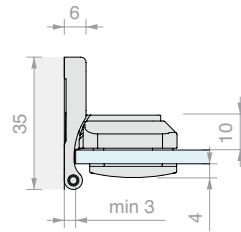
Art.	For glass	Qty
MINIHINGE100	From 6 to 8 mm	1 Pc



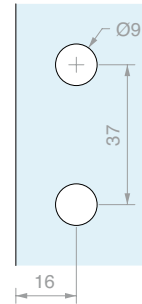
SNAP WOOD/GLASS HINGE 336L

Material: Zamak
 Rotation angle +190°
 Finish: /3 /6

S	A
5	1 mm x 45°
6	2 mm x 45°
7	3 mm x 45°
8	4 mm x 45°



SHOWCASE PANE



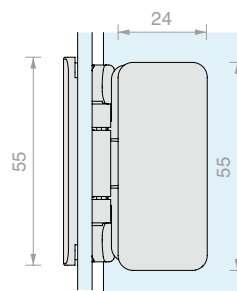
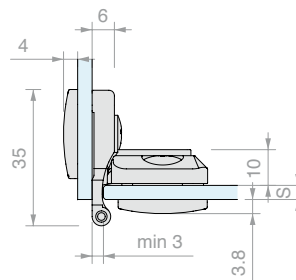
Art.	For glass	Qty
CER336L	From 5 to 8 mm	1 Pc



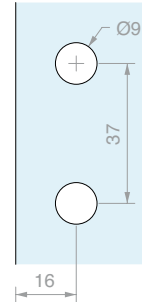
GLASS/GLASS 336 SNAP HINGE

Material: Zamak
 Rotation angle +190°
 Finish: /3 /6

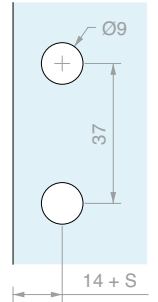
S	B
5	1 mm x 45°
6	2 mm x 45°
7	3 mm x 45°
8	4 mm x 45°



SHOWCASE PANE



FIXED PANE



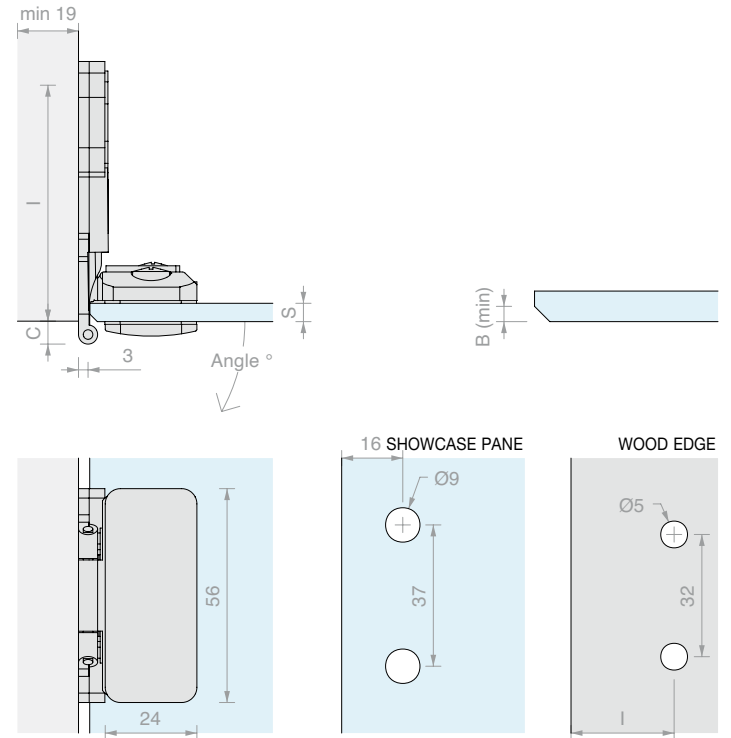
Art.	For glass	Qty
CER336	From 5 to 8 mm	1 Pc



SNAP WOOD/GLASS HINGE 2260

Material: Zamak

Finish: /3 /6



Glass thickness S	Minimum bevelling B	Measurement C	Measurement I	Opening angle
4	0.5 mm x 45°	6.9	54	210°
5	1 mm x 45°	5.9	55	200°
6	2 mm x 45°	4.9	56	190°
7	3 mm x 45°	3.9	57	180°
8	4 mm x 45°	2.9	58	170°

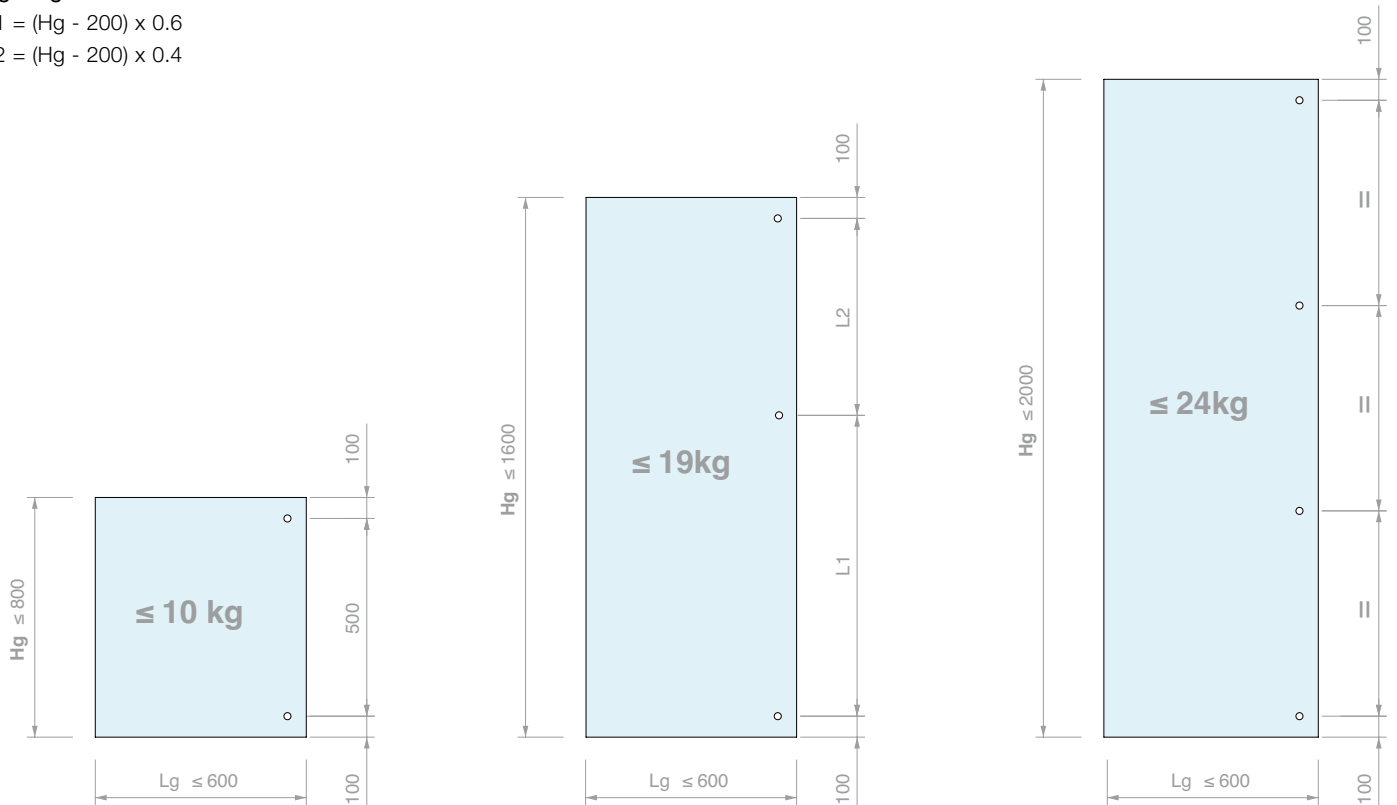
Art.	For glass	Qty
CER2660	From 4 to 8 mm	1 Pc

DIAGRAM FOR CHOOSING THE CORRECT NUMBER OF HINGES FOR ART. CER334, CER336, CER2660

Hg > Lg

$L1 = (Hg - 200) \times 0.6$

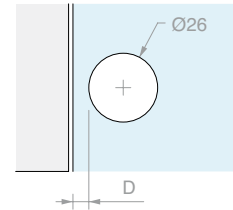
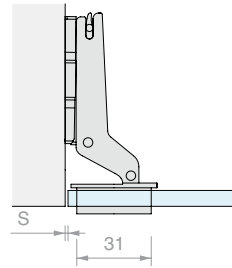
$L2 = (Hg - 200) \times 0.4$





SNAP WALL/GLASS HINGE 336

Material: Zamak
 Rotation angle 94°
 Finish: /1 /92



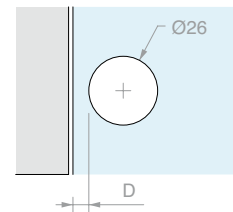
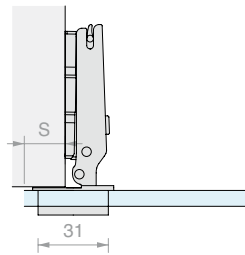
D	5.5	6.5
S	1	2

Art. For glass Qty
CER217 From 4 to 6 mm 1 Pc



SNAP WALL/GLASS OVERLAPPING HINGE 200

Material: Zamak
 Rotation angle 94°
 Finish: /1 /92



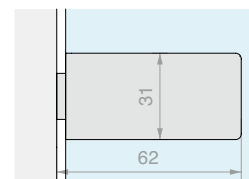
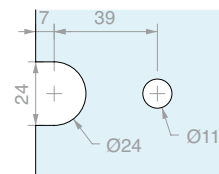
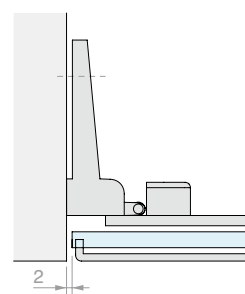
D	5.5	6.5
S	18	19

Art. For glass Qty
CER200 From 4 to 6 mm 1 Pc



SNAP WALL/GLASS HINGE 1024

Material: Zamak
 Rotation angle 100°
 Finish: /1 /2 /3 /99

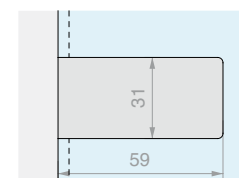
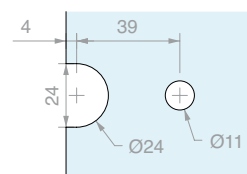
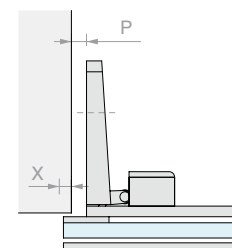


Art. For glass Qty
CER1024 From 4 to 5 mm 1 Pc



SNAP WALL/GLASS OVERLAPPING HINGE 1025

Material: Zamak
 Rotation angle 100°
 Finish: /1 /2 /3 /99



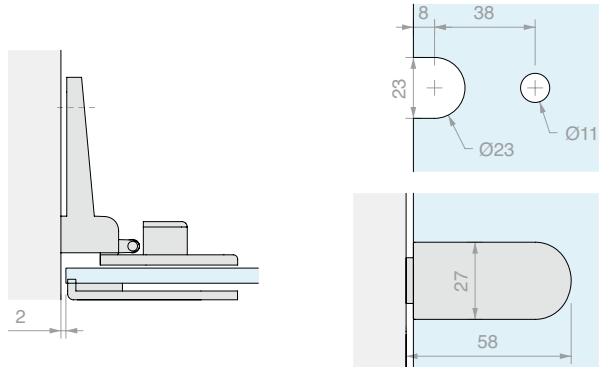
- P 0 - X 8
- P 1 - X 7
- P 2 - X 6
- P 3 - X 5
- P 4 - X 4
- P 5 - X 3
- P 8 - X 0

Art. For glass Qty
CER1025 From 4 to 5 mm 1 Pc



SNAP WALL/GLASS HINGE 1027

Material: Zamak
 Rotation angle 100°
 Finish: /1 /3

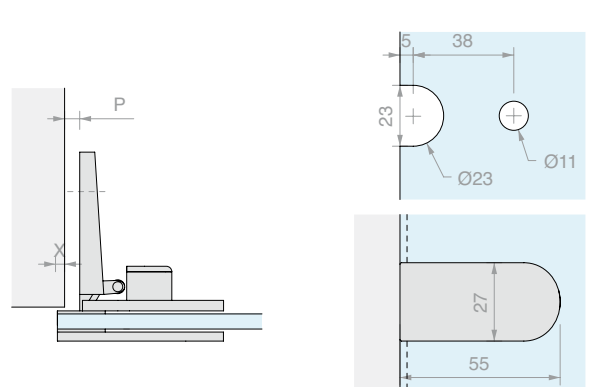


Art.	For glass	Qty
CER1027	From 4 to 5 mm	1 Pc



SNAP WALL/GLASS OVERLAPPING HINGE 1028

Material: Zamak
 Rotation angle 100°
 Finish: /1 /3



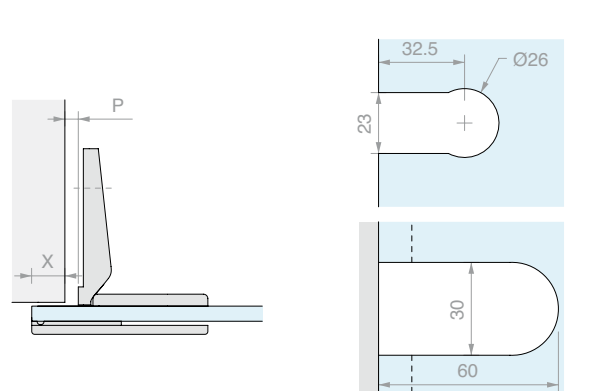
- P 0 - X 8
- P 1 - X 7
- P 2 - X 6
- P 3 - X 5
- P 4 - X 4
- P 5 - X 3
- P 8 - X 0

Art.	For glass	Qty
CER1028	From 4 to 5 mm	1 Pc



SNAP WALL/GLASS OVERLAPPING HINGE 1092

Material: Zamak
 Rotation angle 175°
 Finish: /1 /3



- P 2 - X 16
- P 3 - X 15
- P 4 - X 14
- P 5 - X 13
- P 8 - X 10
- P 10 - X 8

Art.	For glass	Qty
CER1092	4 mm	1 Pc



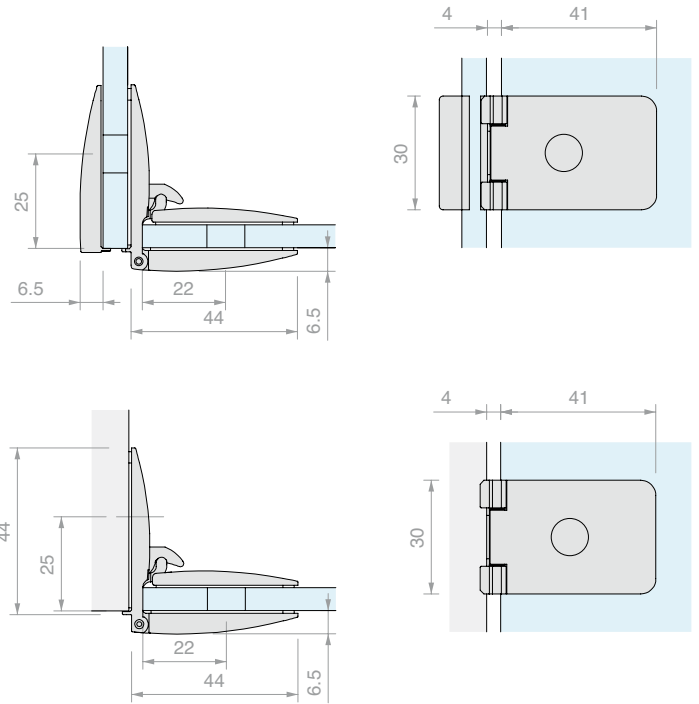
PAIR OF SNAP WOOD/GLASS AND GLASS/GLASS HINGES S401

Material: Zamak

Rotation angle 180°

Recommended glass hole size Ø12 mm

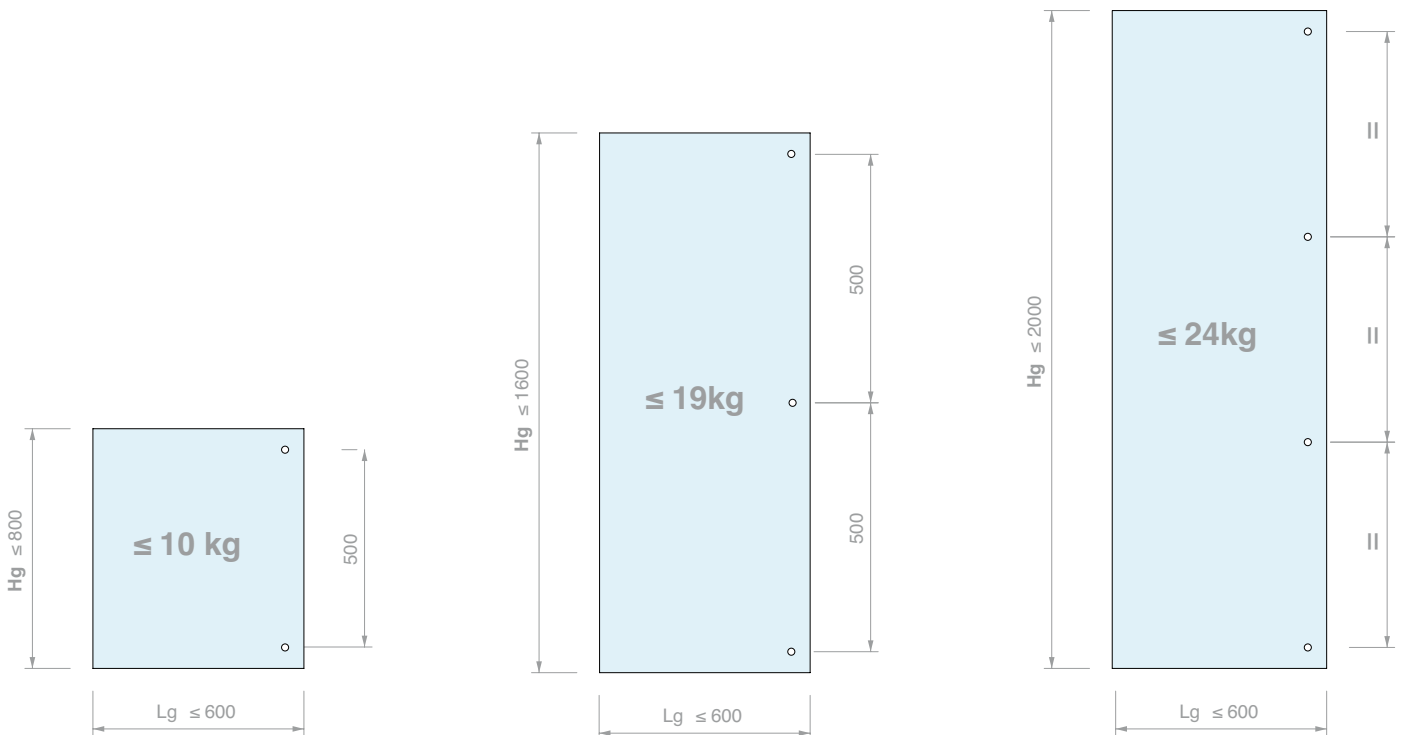
Finish: /1 /65 /97



Art.	For glass	Qty
CERS401	From 4 to 6.7 mm	1 Pc

DIAGRAM FOR CHOOSING THE CORRECT NUMBER OF HINGES FOR ART. CERS401

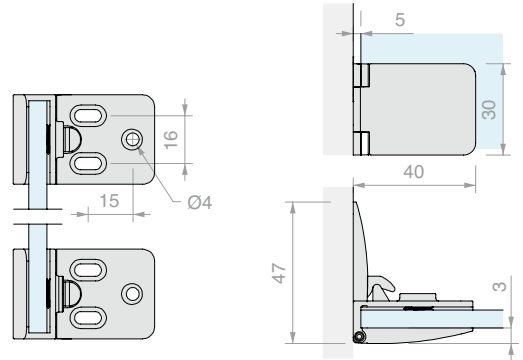
Hg > Lg





PAIR OF SNAP WOOD/GLASS HINGES S403

Material: Zamak
 Rotation angle 180°
 Finish: /1 /65 /97

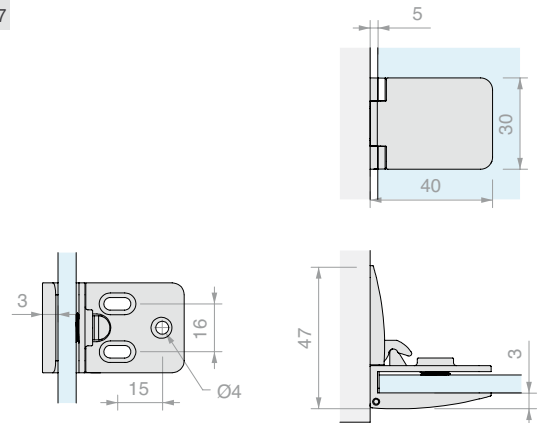


Art.	For glass	Leaf max	Qty
CERS403	From 4 to 6 mm	400 mm x 1000 mm	1 Pc



SNAP WOOD/GLASS REINFORCEMENT HINGE FOR CERS403

Material: Zamak
 Rotation angle 180°
 Finish: /1 /65 /97

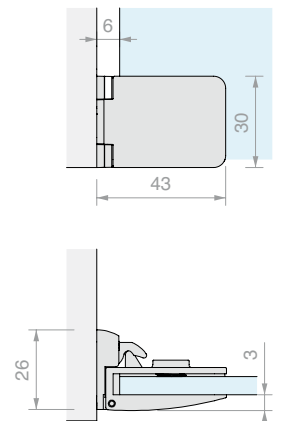


Art.	For glass	Qty
CERS405	From 4 to 6 mm	1 Pc



PAIR OF WOOD/GLASS SNAP HINGES FOR NARROW JAMBS S407

Material: Zamak
 Rotation angle 180°
 Finish: /1 /65 /97



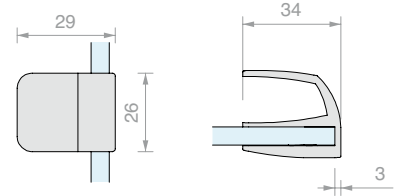
Art.	For glass	Qty
CERS407	From 4 to 6 mm	1 Pc



HANDLE S501

Material: Zamak

Finish: /1 /65 /97



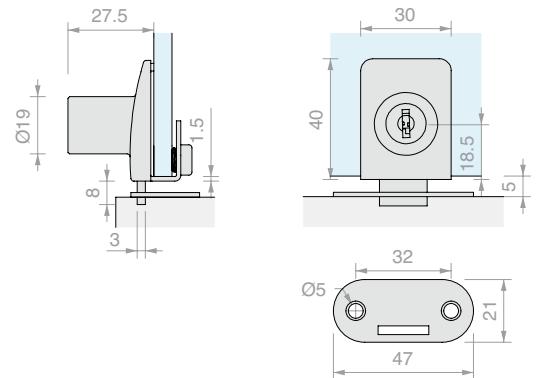
Art.	For glass	Qty
MANS501	From 4 to 6 mm	1 Pc



LOCK FOR SINGLE LEAF S401

Material: Zamak

Finish: /1 /65 /97



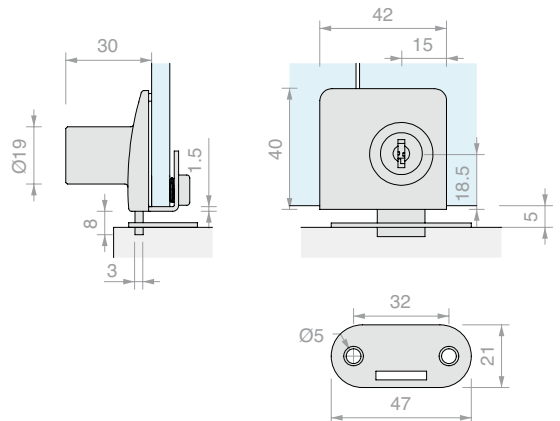
Art.	For glass	Key	Qty
SERS401	From 4 to 6 mm	Different	1 Pc



LOCK FOR DOUBLE LEAF S403

Material: Zamak

Finish: /1 /65 /97

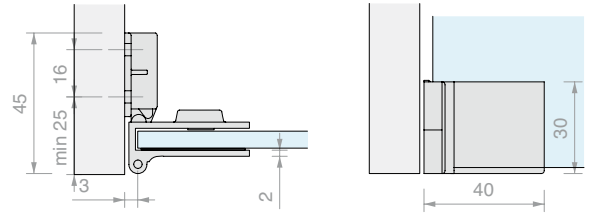


Art.	For glass	Key	Qty
SERS403	From 4 to 6 mm	Different	1 Pc



SNAP WALL/GLASS HINGE 630

Material: Aluminium
 Rotation angle 170°
 Finish: /1
 Sold in multiples of two.

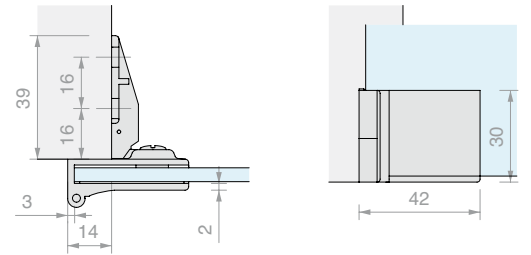


Art.	Max. length	Max. height	For glass	Qty
CER630	450 mm	600 mm	6 mm	1 Pc



SNAP WALL/GLASS OVERLAPPING HINGE 650

Material: Aluminium
 Finish: /1

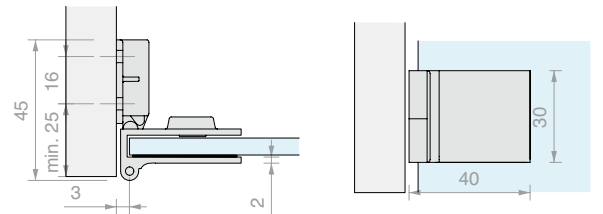


Art.	Max. length	Max. height	For glass	Qty
CER650	450 mm	600 mm	6 mm	1 Pc



SNAP WALL/GLASS REINFORCEMENT HINGE FOR CER630

Material: Aluminium
 Rotation angle 170°
 Finish: /1
 Sold in multiples of two.

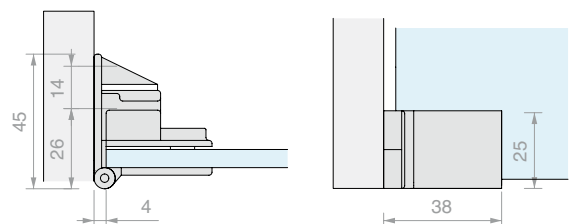


Art.	For glass	Qty
CER670	6 mm	1 Pc

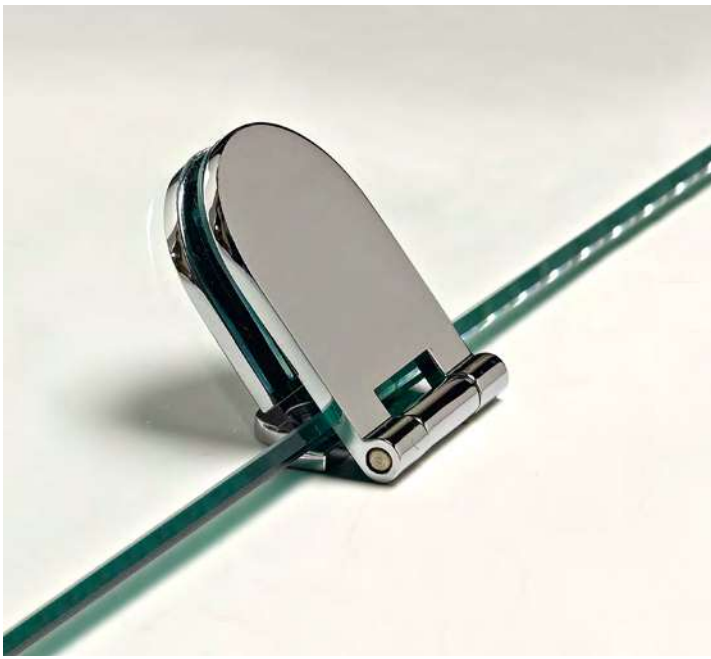


SNAP WALL/GLASS HINGE 1174

Material: Aluminium
 Rotation angle 180°
 Finish: /1 /3
 Sold in multiples of two.

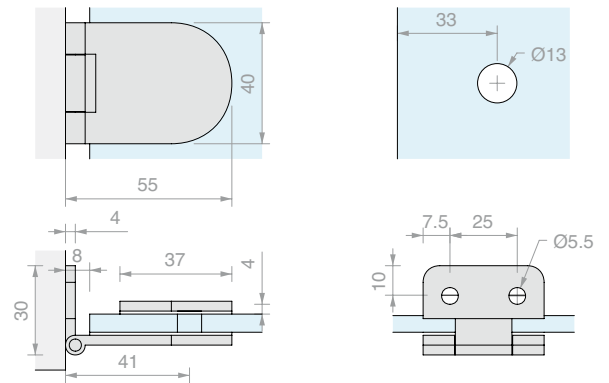


Art.	For glass	Qty
CER1174	6 mm	1 Pc



ROUNDED WOOD/GLASS HINGE 50

Material: Brass
 Recommended glass hole size Ø13 mm.
 Rotation angle 290°
 Finish: /1 /3

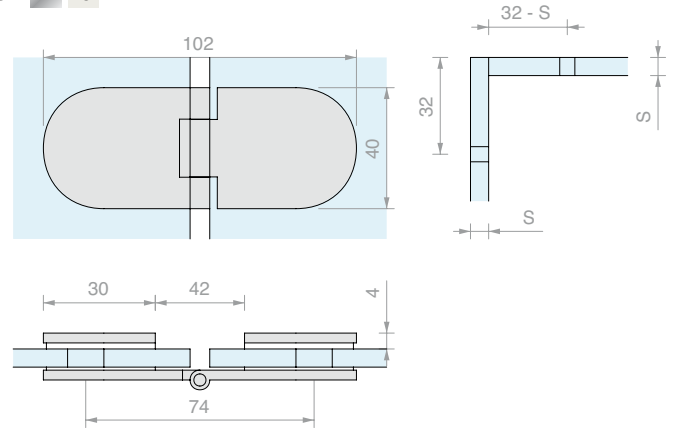


Art.	For glass	Qty
CER50	From 6 to 10 mm	1 Pc



GLASS/GLASS 100 ROUNDED HINGE

Material: Brass
 Recommended glass hole size Ø13 mm.
 Rotation angle 270°
 Finish: /1 /3

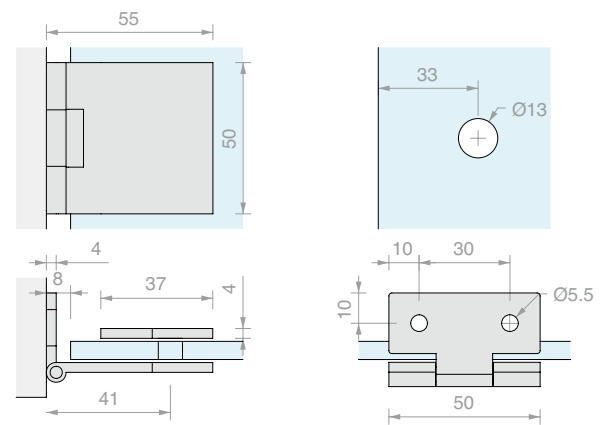


Art.	For glass	Qty
CER100	From 6 to 10 mm	1 Pc

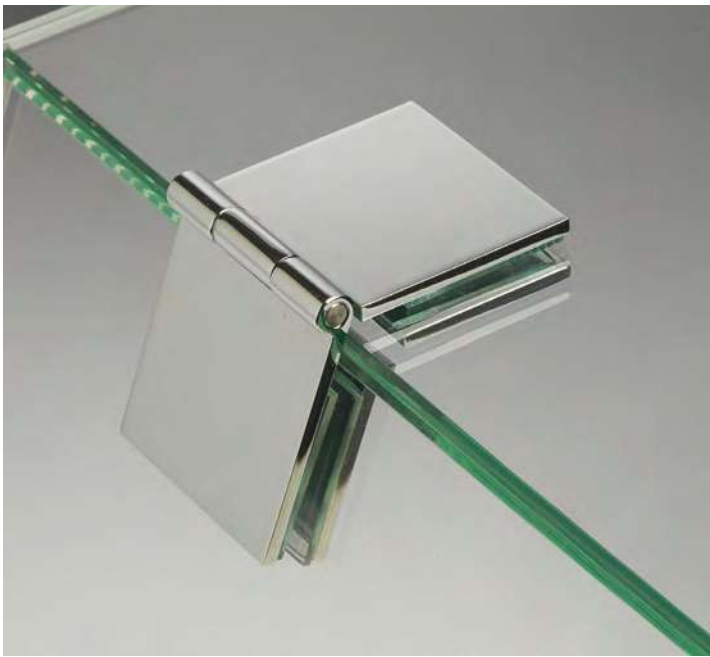


SQUARE WOOD/GLASS HINGE 50

Material: Brass
 Recommended glass hole size Ø13 mm.
 Rotation angle 290°
 Finish: /1 /3



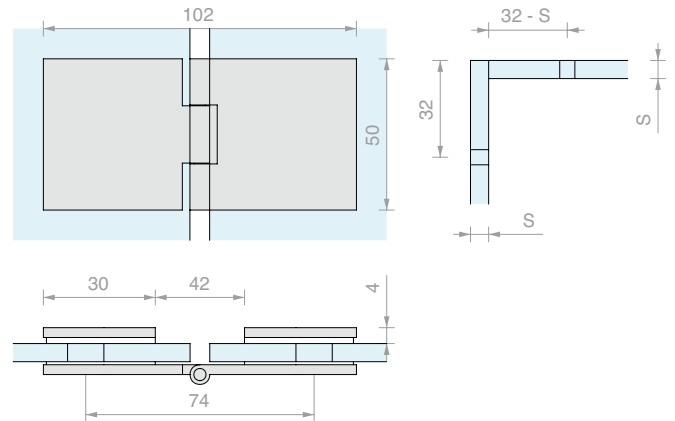
Art.	For glass	Qty
CER50SQ	From 6 to 10 mm	1 Pc

**GLASS/GLASS 100 SQUARE HINGE**

Material: Brass

Recommended glass hole size $\text{\O}13$ mm.Rotation angle 270°

Finish: /1 /3



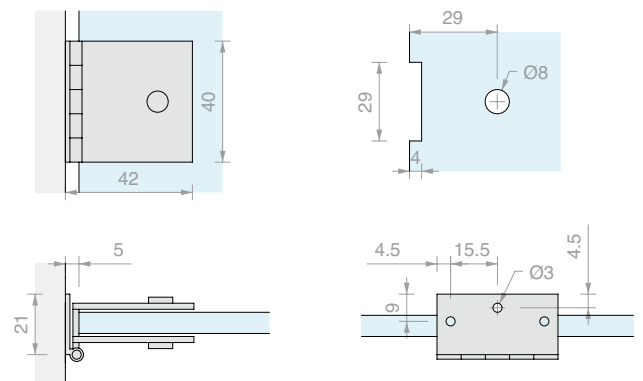
Art.	For glass	Qty
CER100SQ	From 6 to 10 mm	1 Pc

**WOOD/GLASS HINGE 305B**

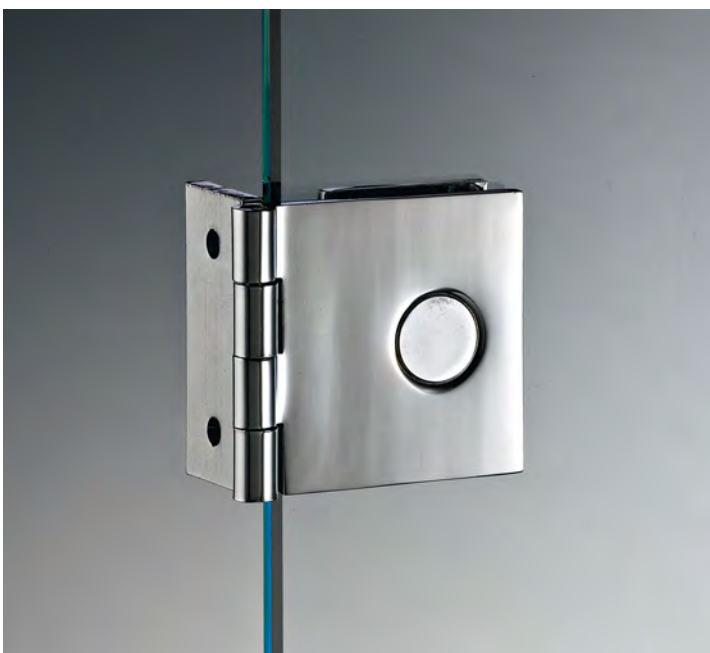
Material: Brass

Recommended glass hole size $\text{\O}8$ mm.Rotation angle 180°

Finish: /3



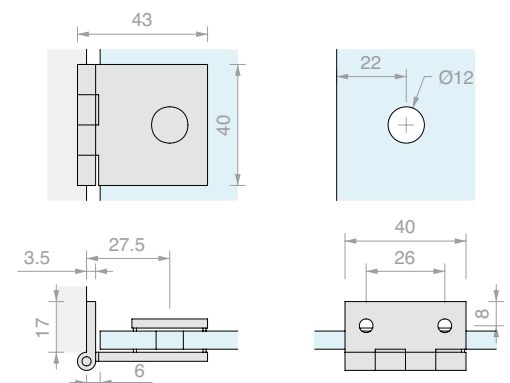
Art.	For glass	Qty
CER305B	6 mm	1 Pc

**WOOD/GLASS HINGE 755**

Material: Brass

Recommended glass hole size $\text{\O}12$ mm.Rotation angle 290°

Finish: /1 /3

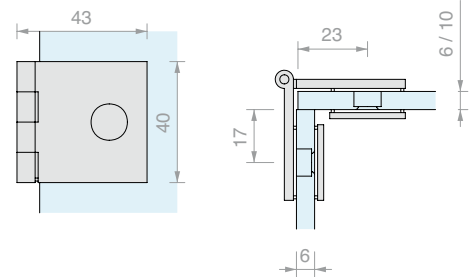


Art.	For glass	Qty
CER755	From 6 to 10 mm	1 Pc



GLASS/GLASS HINGE 751

Material: Brass
 Recommended glass hole size $\text{Ø}12$ mm.
 Rotation angle 290°
 Finish: /1 /3

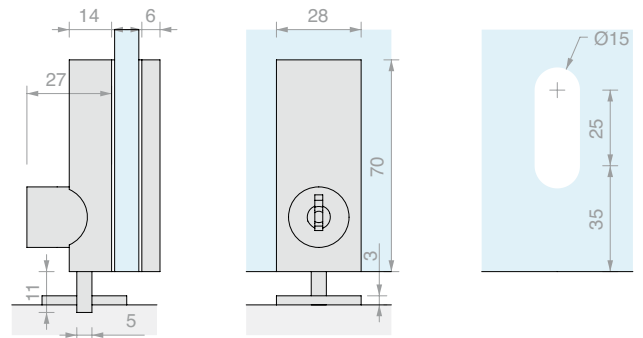


Art.	For fixed glass	For door glass	Qty
CER751	From 6 to 10 mm	6 mm	1 Pc



CYLINDER LOCK LT12

Material: AISI 304 stainless steel
 Finish: /8

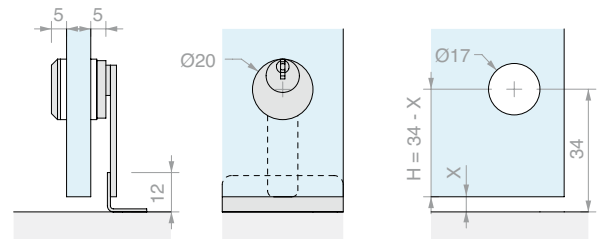


Art.	Key	For glass	Qty
SERLT12	Single	From 6 to 12 mm	1 Pc



LOCK 001

Material: Brass
 Requires stop Art. SERF3.
 Available only with opening to the right.
 Finish: /95

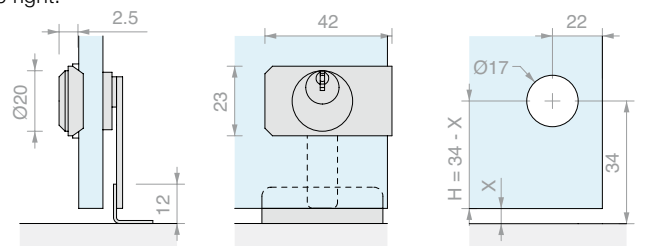


Art.	Key	For glass	Qty
SER001U	Single	8 mm	1 Pc
SER001D	Different	8 mm	1 Pc



LOCK WITH PLATE 011

Material: Brass
 Requires stop Art. SERF3.
 Available only with opening to the right.
 Finish: /95

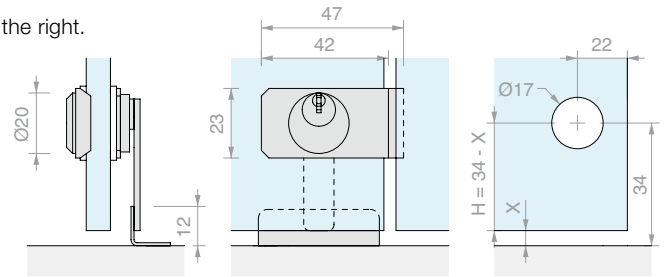


Art.	Key	For glass	Qty
SER011U	Single	8 mm	1 Pc
SER011D	Different	8 mm	1 Pc



DOUBLE LEAF LOCK WITH PLATE 013

Material: Brass
 Requires stop Art. SERF3.
 Available only with opening to the right.
 Finish: /95

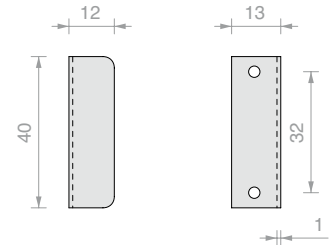


Art.	Key	For glass	Qty
SER013U	Single	8 mm	1 Pc
SER013D	Different	8 mm	1 Pc



LATCH FOR LOCKS SER001, SER011 AND SER013

Material: Steel
 Finish: /95

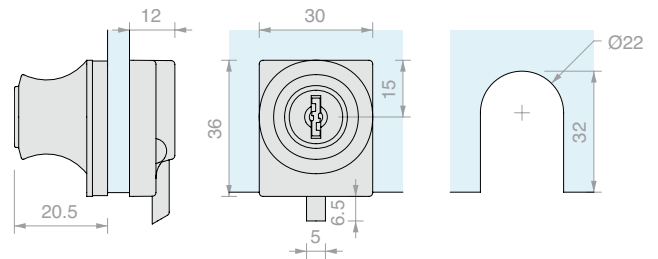


Art.	Qty
SERF3	1 Pc



LOCK 690

Material: Zamak
 Requires stop Art. SERF2.
 Finish: /7

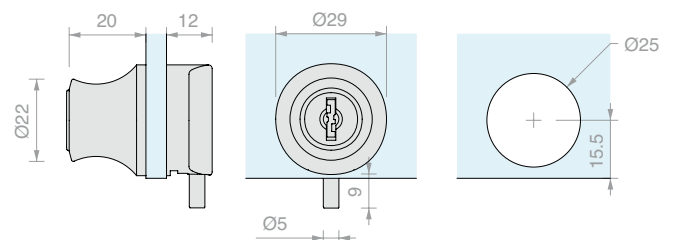


Art.	Key	For glass	Qty
SER690U	Single	From 6 to 10 mm	1 Pc
SER690D	Different	From 6 to 10 mm	1 Pc



LOCK 022

Material: Zamak
 Requires stop Art. SERF2.
 Finish: /1 /3



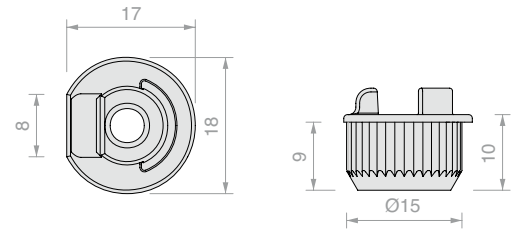
Art.	Key	For glass	Qty
SER022U	Single	From 4 to 6 mm	1 Pc



LATCH FOR LOCKS SER690 AND SER022U

Material: Die Cast

Finish: /95



Art.

SERF2

Qty

1 Pc

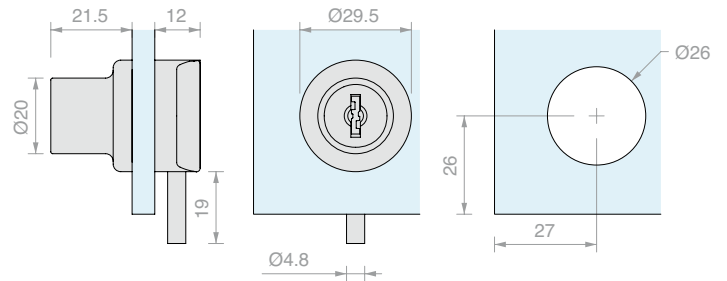


LOCK 012

Material: Zamak

Requires stop Art. SERF1.

Finish: /95



Art.

SER012U

Key

Single

For glass

From 4 to 6 mm

Qty

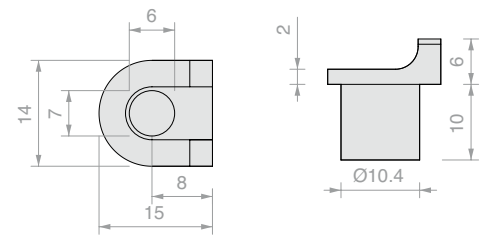
1 Pc



LATCH FOR LOCK SER012U

Material: Plastic

Finish: /6



Art.

SERF1

Qty

1 Pc

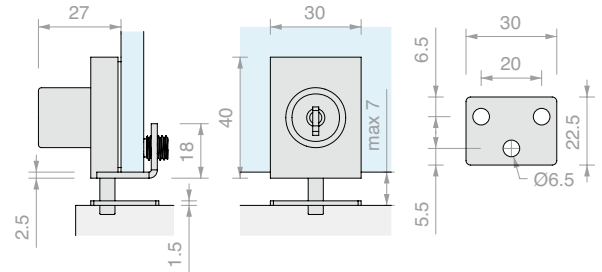
**LOCK 810**

Material: AISI 304 stainless steel

Do not move the door by

pulling it with the key inserted in the lock cylinder

Finish: /8

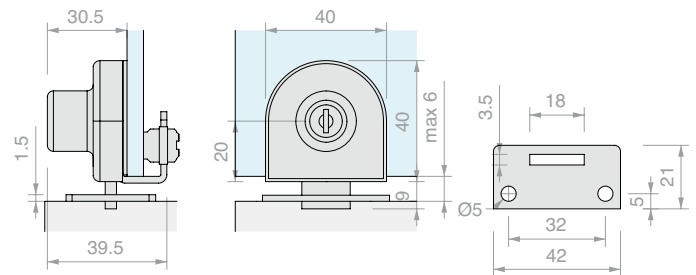


Art.	Key	For glass	Qty
SER810	Single	From 8 to 10 mm	1 Pc

**LOCK 015**

Material: Zamak

Finish: /95

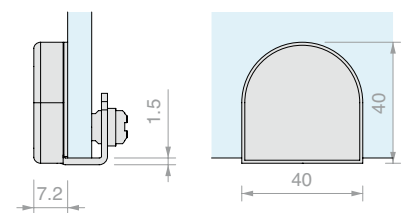


Art.	Key	For glass	Qty
SER015U	Single	From 4 to 6 mm	1 Pc

**GLASS STRIKE PLATE FOR SER015U**

Material: Zamak

Finish: /95



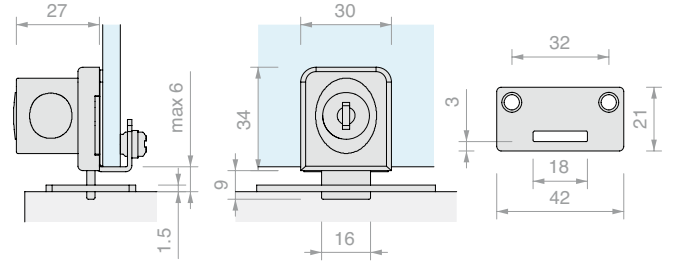
Art.	For glass	Qty
SER016	From 4 to 6 mm	1 Pc



LOCK 71G1

Material: Zamak

Finish: /7



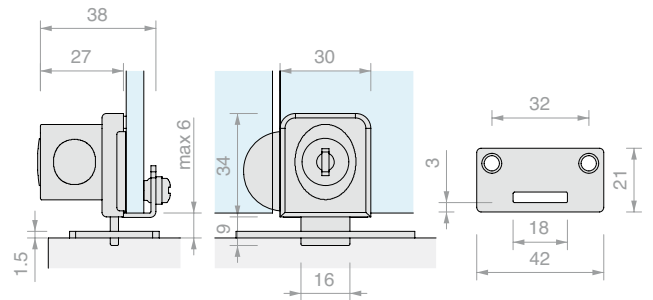
Art.	Key	For glass	Qty
SER71G1U	Single	From 6 to 7 mm	1 Pc
SER71G1D	Different	From 6 to 7 mm	1 Pc



DOUBLE LEAF LOCK 76G4

Material: Zamak

Finish: /7



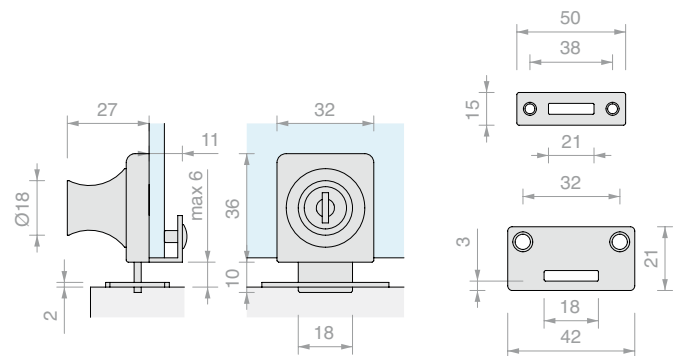
Art.	Key	For glass	Qty
SER76G4U	Single	From 6 to 7 mm	1 Pc
SER76G4D	Different	From 6 to 7 mm	1 Pc



LOCK 024

Material: Zamak

Finish: /1

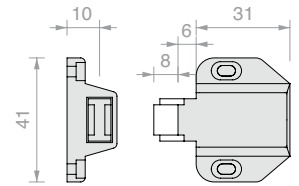


Art.	Key	For glass	Qty
SER024U	Single	From 6 to 8 mm	1 Pc
SER024D	Different	From 6 to 8 mm	1 Pc

**SINGLE PUSH-OPEN MAGNET**

Material: Plastic with magnet

Finish: /6



Art.

Qty

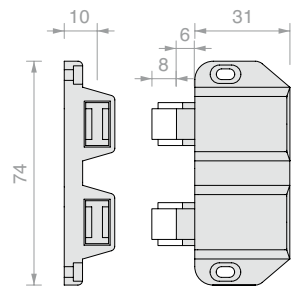
CAL001

1 Pc

**DOUBLE PUSH-OPEN MAGNET**

Material: Plastic with magnet

Finish: /6



Art.

Qty

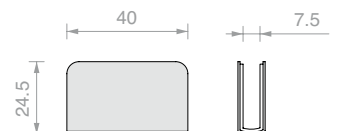
CAL002

1 Pc

**STRIKE PLATE FOR PUSH-OPEN MAGNET**

Material: AVP

Finish CAL003: /1 /3 _ CAL004: /6



Art.

For glass

Qty

CAL003

6 mm

1 Pc

CAL004

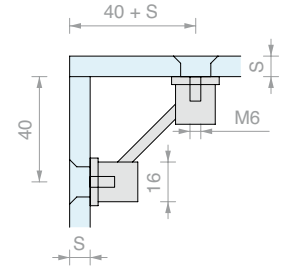
6 mm

1 Pc



2-WAY 90° TETRIS CONNECTOR

Material: Brass
Screws to be ordered separately
Finish: /1 /3

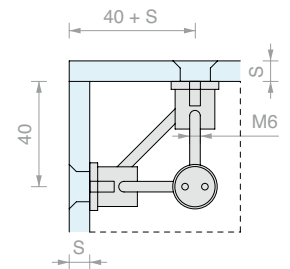


Art.	Description	Qty
MTET216	Only connector	1 Pc
MTET21615	Complete with COFIS15N	1 Pc



3-WAY TETRIS CONNECTOR

Material: Brass
Screws to be ordered separately
Finish: /1 /3

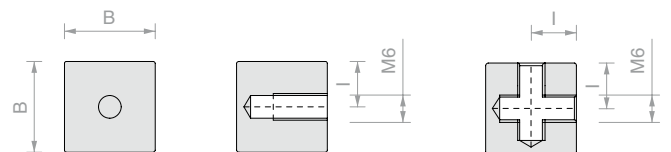


Art.	Description	Qty
MTET316	Only connector	1 Pc
MTET31615	Complete with COFIS15N	1 Pc



PLEXIGLASS CONNECTING CUBES WITH SCREWS

Material: Transparent
Recommended glass hole size Ø10 mm.
Finish: plexiglass, nickel-plated iron screws supplied



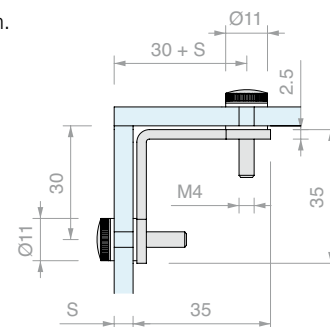
Art.	B	I	Description	Qty
CUB001	20 mm	10 mm	1 way	1 Pc
CUB002	20 mm	10 mm	2-way	1 Pc
CUB003	20 mm	10 mm	3-way	1 Pc
CUB004	25 mm	15 mm	1 way	1 Pc
CUB005	25 mm	15 mm	2-way	1 Pc
CUB006	25 mm	15 mm	3-way	1 Pc
CUB007	-	-	M6 x 18 mm screw only	1 Pc

**2-WAY 90° FLAT CONNECTOR**

Material: Brass

Recommended glass hole size Ø6 mm.

Finish: /1



Art.

ANG001

Qty

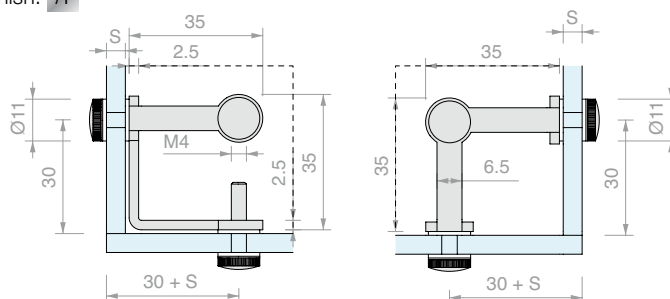
1 Pc

**3-WAY FLAT CONNECTOR**

Material: Brass

Recommended glass hole size Ø6 mm.

Finish: /1



Art.

ANG002

Qty

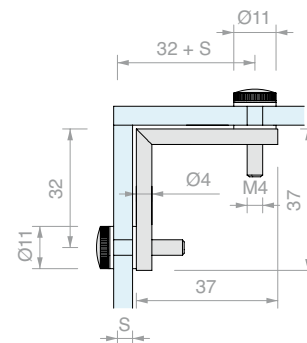
1 Pc

**2-WAY 90° ROUND CONNECTOR**

Material: Brass

Recommended glass hole size Ø6 mm.

Finish: /1



Art.

ANG003

Qty

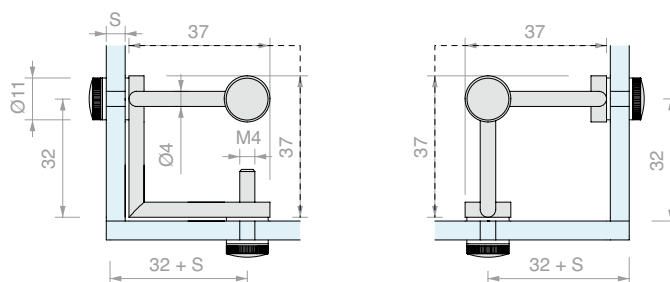
1 Pc

**3-WAY ROUND CONNECTOR**

Material: Brass

Recommended glass hole size Ø6 mm.

Finish: /1



Art.

ANG004

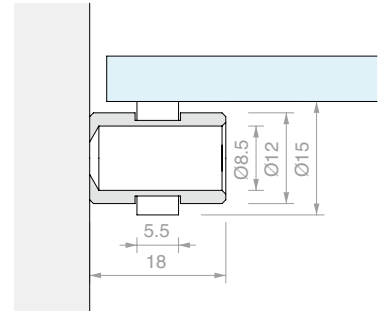
Qty

1 Pc

**WOOD SHELF SUPPORT WITH THROUGH HOLE**

Material: Brass

Finish: /93 /95



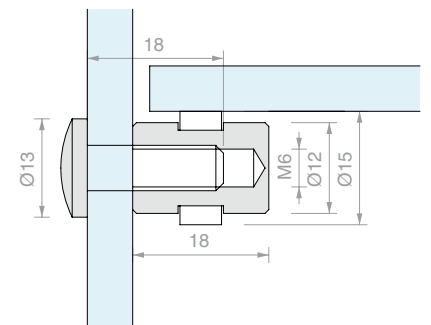
Art.	Rubber	Qty
REG001T	Transparent	1 Pc
REG001N	Black	1 Pc

**GLASS SHELF SUPPORT**

Material: Brass

Recommended glass hole size Ø8 mm.

Finish: /93 /95



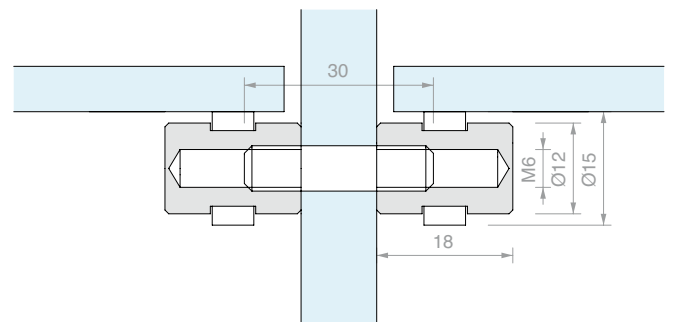
Art.	Rubber	Qty
REG002T	Transparent	1 Pc
REG002N	Black	1 Pc

**DOUBLE SHELF SUPPORT**

Material: Brass

Recommended glass hole size Ø8 mm.

Finish: /93 /95

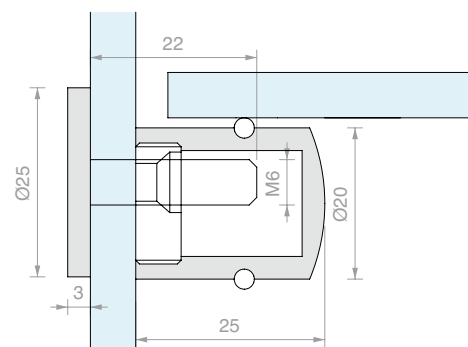


Art.	Rubber	Qty
REG003T	Transparent	1 Pc
REG003N	Black	1 Pc

**ECCENTRIC GLASS SHELF SUPPORT**

Material: Brass

Finish: /1 /2 /3



Art.

MRV25E

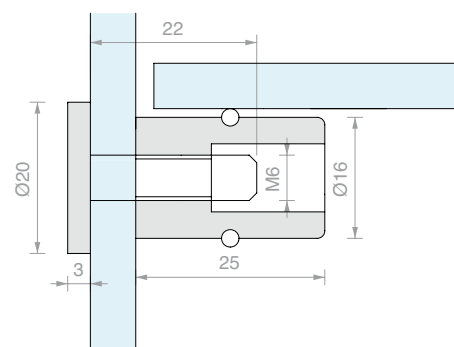
Qty

1 Pc

**GLASS SHELF SUPPORT WITH THROUGH HOLE**

Material: Brass

Finish: /1 /2 /3



Art.

MRV16

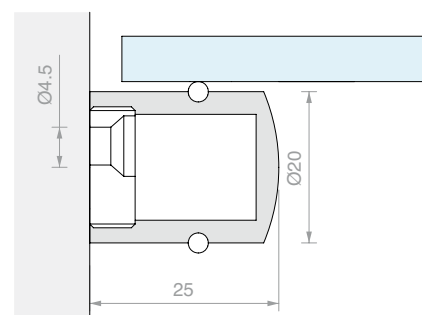
Qty

1 Pc

**ECCENTRIC WOOD SHELF SUPPORT**

Material: Brass

Finish: /1 /2 /3



Art.

MR185

Qty

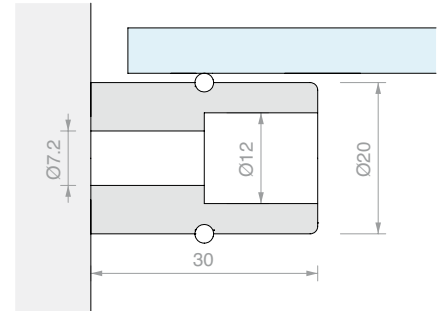
1 Pc



WOOD SHELF SUPPORT WITH THROUGH HOLE 181

Material: Brass

Finish: /1 /2 /3



Art.

MR181

Qty

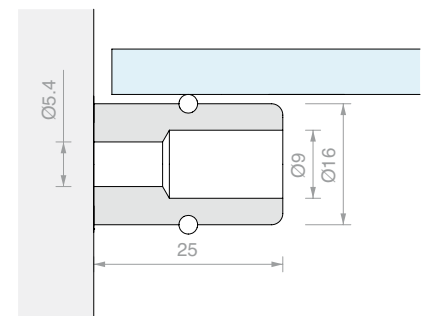
1 Pc



WOOD SHELF SUPPORT WITH THROUGH HOLE 188

Material: Brass

Finish: /1 /2 /3



Art.

MR188

Qty

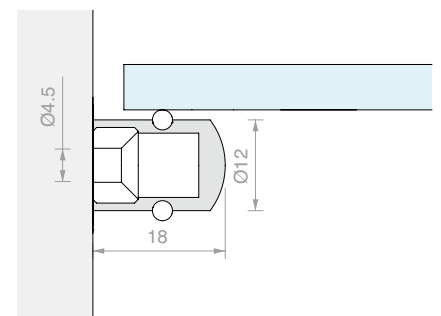
1 Pc



WOOD SHELF SUPPORT 186

Material: Brass

Finish: /1 /2 /3



Art.

MR186

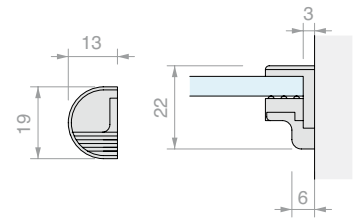
Qty

1 Pc

**SHELF SUPPORT WITH STOP**

Material: Zamak

Finish: /95

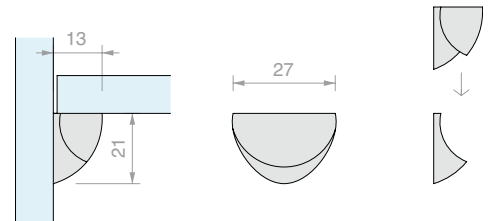


Art.	For glass	Qty
REG520	From 6 to 10 mm	1 Pc
REG540	From 8 to 12 mm	1 Pc

**DUO ROUNDED SHELF SUPPORT**

Material: Zamak and transparent rubber

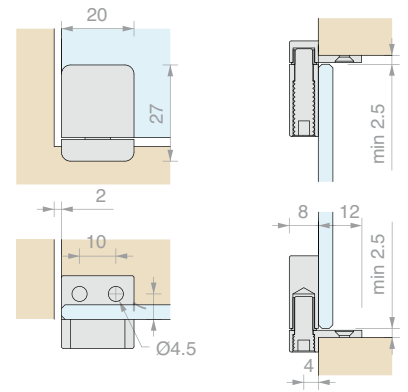
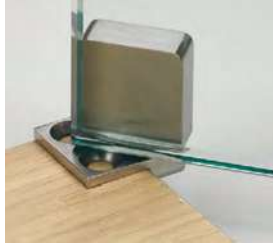
Finish: /95



Art.	Qty
REGDUO	1 Pc

**PAIR OF WOOD/GLASS PIVOT HINGES**

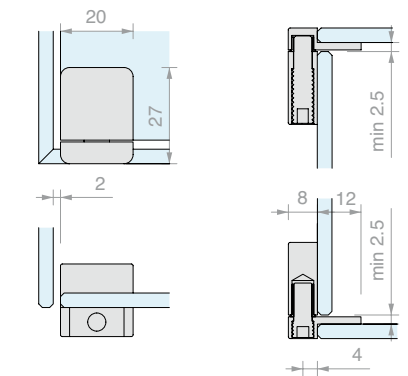
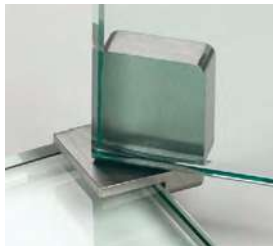
Material: AISI 304 steel
 Finish: /8 /15
 Maximum rotation 200°
 Recommended adhesive:
 - Float/Tempered FX630
 - laminated glass: FX621



Art.	Load	For glass	Qty
CERUV40LG	20 kg	From 4 to 10 mm	1 Pc

**PAIR OF GLASS/GLASS PIVOT HINGES**

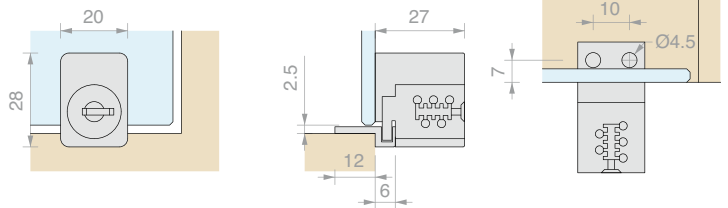
Material: AISI 304 steel
 Finish: /8 /15
 Maximum rotation 200°
 Recommended adhesive:
 - Float/Tempered FX630
 - laminated glass: FX621



Art.	Load	For glass	Qty
CERUV40	20 kg	From 4 to 10 mm	1 Pc

**WOOD/GLASS LOCK, SINGLE DOOR**

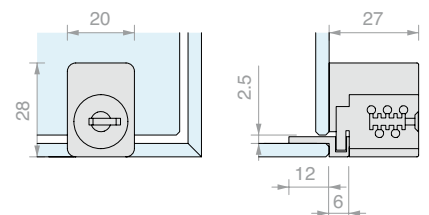
Material: AISI 304 steel
 Do not move the door by pulling it with the key inserted in the lock cylinder
 Finish: /8 /15
 Recommended adhesive:
 - Float/Tempered FX630
 - laminated glass: FX621



Art.	Key	For glass	Qty
SERUV40LGU	Single	From 4 to 10 mm	1 Pc

**GLASS/GLASS LOCK, SINGLE DOOR**

Material: AISI 304 steel
 Do not move the door by pulling it with the key inserted in the lock cylinder
 Finish: /8 /15
 Recommended adhesive:
 - Float/Tempered FX630
 - Laminated: FX621



Art.	Key	For glass	Qty
SERUV40U	Single	From 4 to 10 mm	1 Pc



MOUNTING PLATE CERUV40-SERUV40

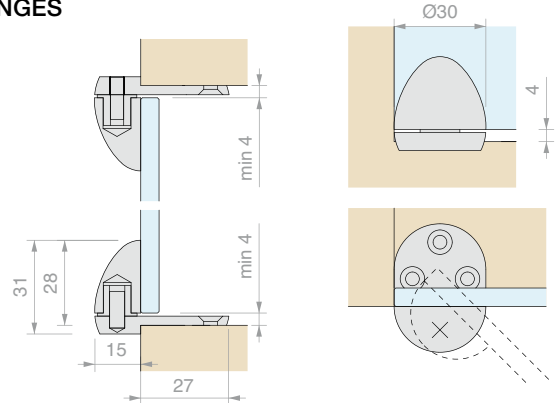
Material: AISI 304 steel
 Finish: /8

Art.	Qty
FXGAB14	1 Pc



PAIR OF WOOD/GLASS PIVOT HINGES

Material: AISI 304 steel
 Finish: /9
 Maximum rotation 210°
 Recommended adhesive:
 - Float/Tempered FX630
 - Laminated: FX621

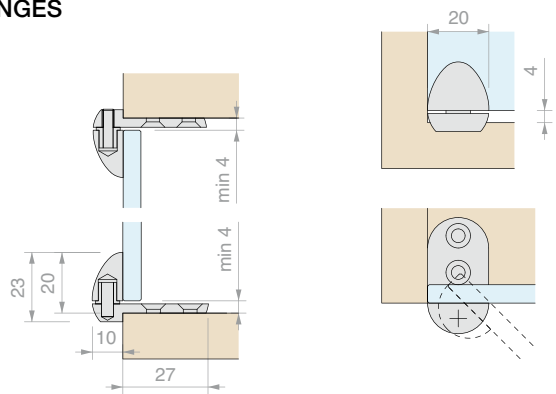


Art.	Load	For glass	Qty
CERUV35LG	20 kg	< 12 mm	1 Pc



PAIR OF WOOD/GLASS PIVOT HINGES

Material: AISI 304 steel
 Finish: /9
 Maximum rotation 210°
 Recommended adhesive:
 - Float/Tempered FX630
 - Laminated: FX621

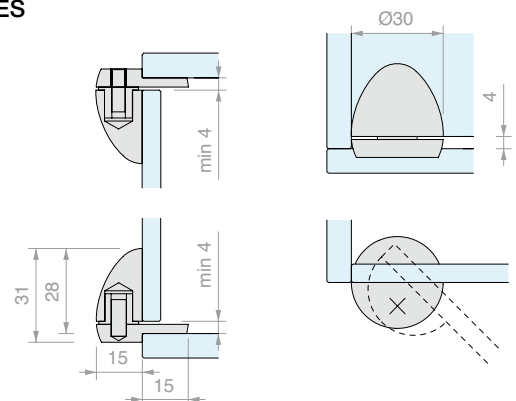


Art.	Load	For glass	Qty
CERUV25LG	10 kg	< 12 mm	1 Pc



PAIR OF GLASS/GLASS PIVOT HINGES

Material: AISI 304 steel
 Finish: /9
 Maximum rotation 210°
 Recommended adhesive:
 - Float/Tempered FX630
 - Laminated: FX621



Art.	Load	For glass	Qty
CERUV35	20 kg	< 12 mm	1 Pc

**PAIR OF GLASS/GLASS PIVOT HINGES**

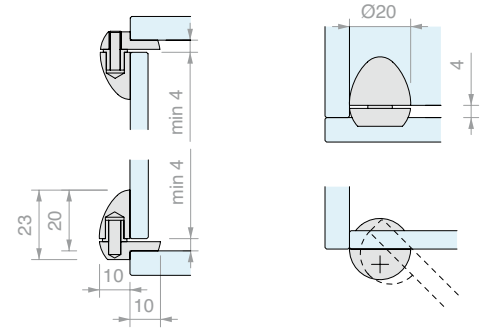
Material: AISI 304 steel

Finish: /9

Maximum rotation 210°

Recommended adhesive:

- Float/Tempered FX630
- Laminated: FX621

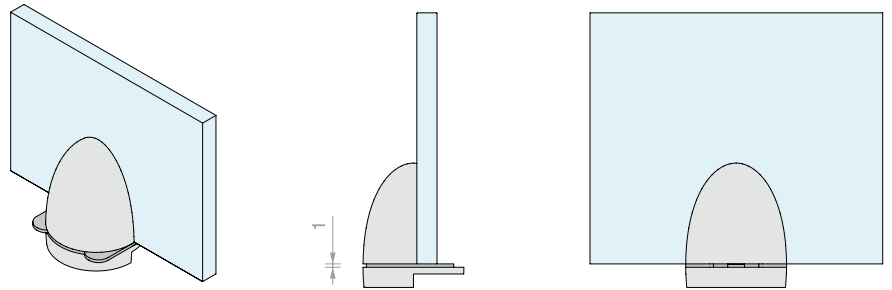


Art.	Load	For glass	Qty
CERUV25	10 kg	< 12 mm	1 Pc

**MOUNTING PLATE CERUV35-CERUV25**

Material: AISI 304 steel

Finish: /8



Art.	Qty
FXGAB08	1 Pc

**CORNER WOOD/GLASS LOCK, SINGLE DOOR**

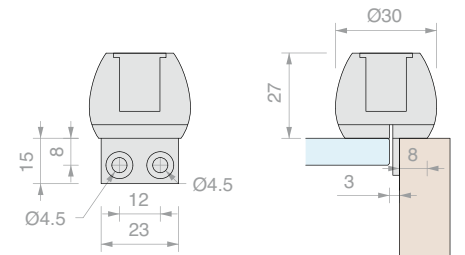
Material: AISI 304 steel

Do not move the door by pulling it with the key inserted in the lock cylinder

Finish: /9

Recommended adhesive:

- Float/Tempered FX630
- Laminated: FX621



Art.	Key	For glass	Qty
SEREGG10U	Single	< 12 mm	1 Pc

**CORNER GLASS/GLASS LOCK, SINGLE DOOR ON GLASS SIDE**

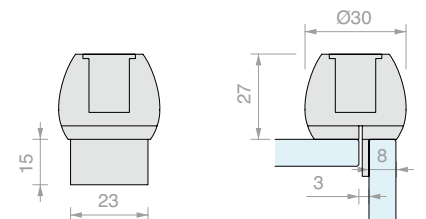
Material: AISI 304 steel

Do not move the door by pulling it with the key inserted in the lock cylinder

Finish: /9

Recommended adhesive:

- Float/Tempered FX630
- Laminated: FX621

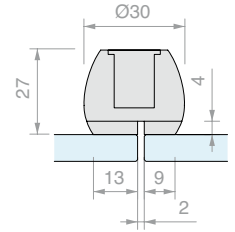


Art.	Key	For glass	Qty
SEREGG13U	Single	< 12 mm	1 Pc



GLASS/GLASS LOCK, DOUBLE DOOR

Material: AISI 304 steel
 Do not move the door by pulling it with the key inserted in the lock cylinder
 Finish: /9
 Recommended adhesive:
 - Float/Tempered FX630
 - Laminated: FX621

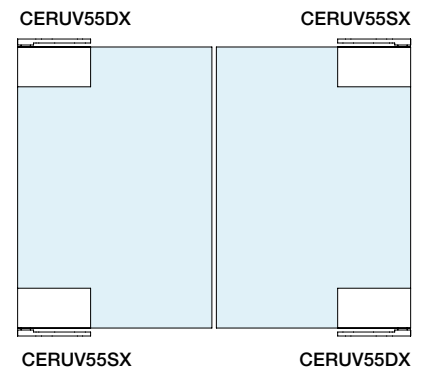
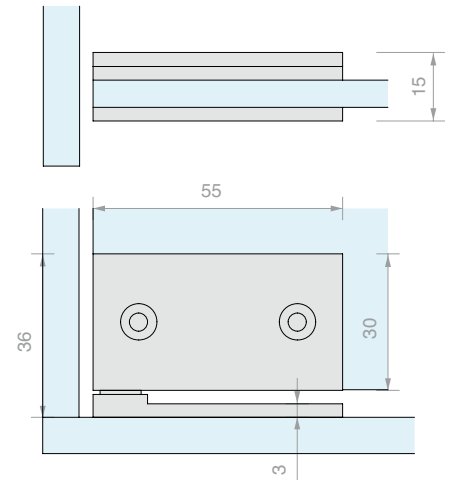
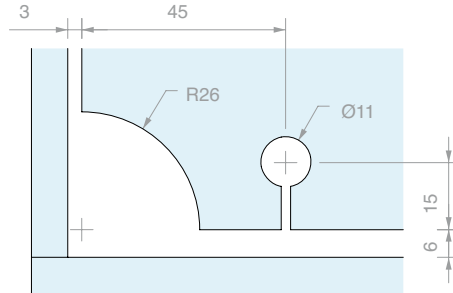


Art.	Key	For glass	Qty
SEREGG15U	Single	< 12 mm	1 Pc



GLASS/GLASS PIVOT HINGE

Material: Brass
 Finish: /1
 Recommended adhesive:
 - Float/Tempered FX629
 - Laminated: FX621/FX973

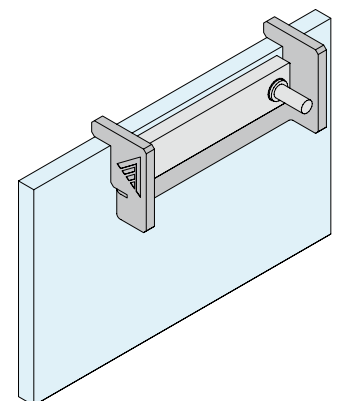


Art.	Max. length	Max. load	Position	For glass	Qty
CERUV55SX	450 mm	20 kg	Left	From 6 to 8 mm	1 Pc
CERUV55DX	450 mm	20 kg	Right	From 6 to 8 mm	1 Pc



MOUNTING PLATE CERUV55

Material: AISI 304 stainless steel
 Finish: /8



Art.	Qty
FXGAB07	1 Pc



PAIR OF SNAP GLASS/GLASS HINGES

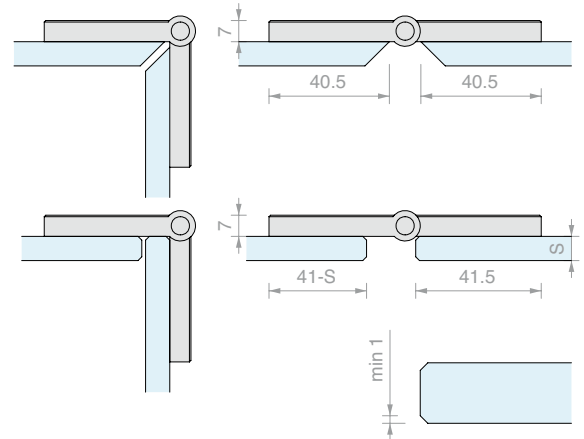
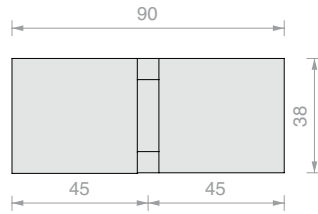
Material: AISI 304 stainless steel

Finish: /8 /15

Snap at +90° with further opening to about 95°

Recommended adhesive:

- Float/Tempered FX630
- Laminated: FX621



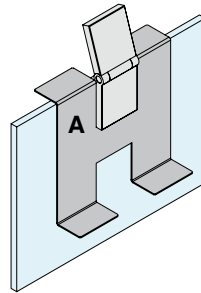
Art.	Max. length	For glass	Qty
CERUV1	600 mm	< 8 mm	1 Pc



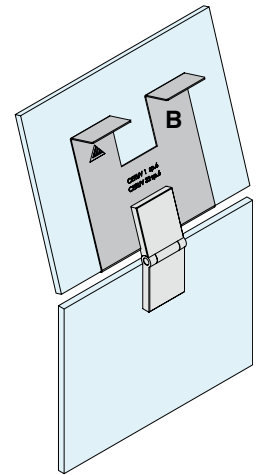
MOUNTING PLATE CERUV1

Material: AISI 304 stainless steel

Finish: /8



Use side **A** of the template to glue the first side of the hinge



Use side **B** of the template to glue the second side of the hinge

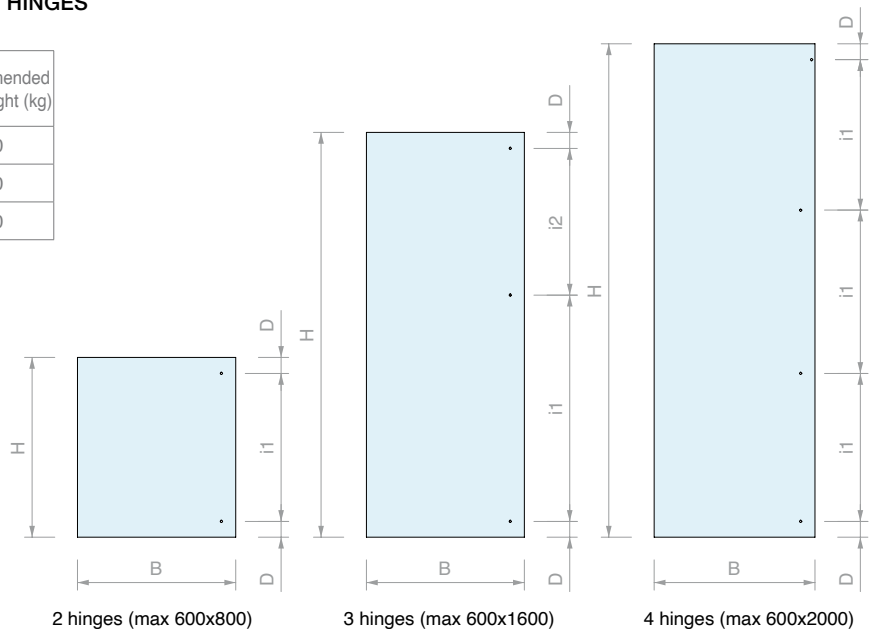
Art.	Package	Qty
FXGAB02	4 Pcs	1 Pc

DIAGRAM TO CHOOSE THE CORRECT NUMBER OF HINGES

no. of hinges	B max	H max	i1 min	D min	Recommended max thickness	Recommended max weight (kg)
2	600	800	420	50	8	10
3	600	1600	900	50	8	20
4	600	2000	633	50	8	30

B < H always

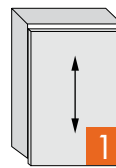
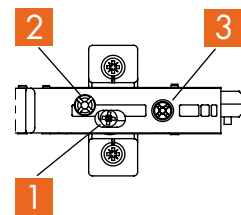
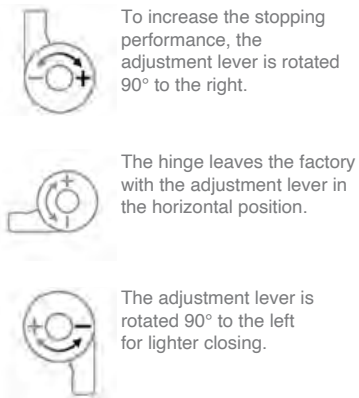
$$i2 = \begin{matrix} 2 \\ 3 \\ 3 \end{matrix} i1$$



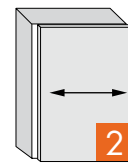


WOOD/GLASS SNAP DAMPER HINGE

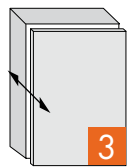
Material: die cast metal
 Soft-close stop system integrated in the arm of the hinge.
 Using the designated cross-mounting plate, the hinge can be connected with a click.
 Use the designated cover to hide all the adjustment screws.
 Panes can be installed across the width or overlapping.
 Bonding using UV adhesive. Max. rotation 125°.
 Finish: /95
 Recommended adhesive:
 - Float/Tempered FX630
 - Laminated: FX621



(HV) Height adjustment +/-2 mm



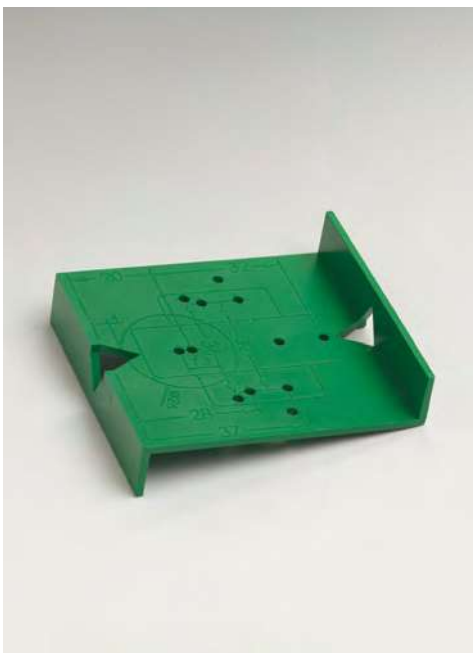
(SV) Side adjustment +/-2 mm



(TV) Depth adjustment +3/-2 mm

All adjustments can be made independently.

Art.	Body dimensions	Plate dimensions	For glass	Qty
CERLM56	92 mm x 48 mm	56 mm x 35 mm	From 3 to 8 mm	1 Pc



MOUNTING PLATE CERLM56

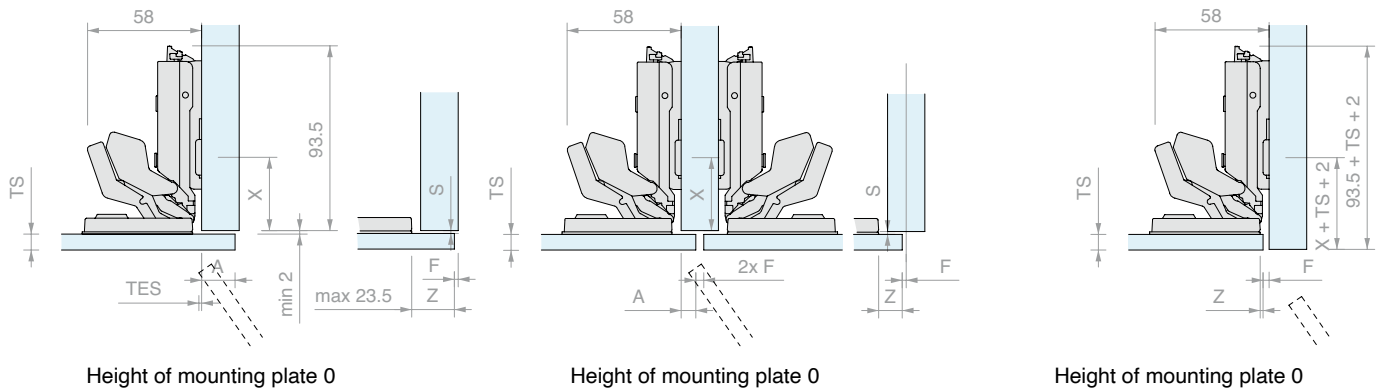
Material: ABS
 Allows holes to be drilled to attach the adjustment plate with the right interaxis spacing.

Art.	Qty
LMGAB01	1 Pc



OVERLAPPING DESIGN INSTRUCTIONS

SEMI-OVERLAPPING FLUSH-FIT



Height of mounting plate 0

Height of mounting plate 0

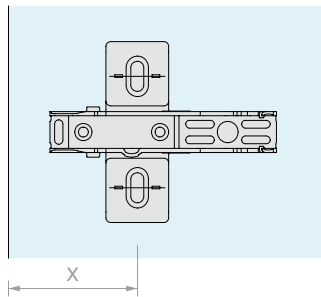
Height of mounting plate 0

MINIMUM DISPLACEMENT/MINIMUM OVERLAP

Values for height of the mounting plate equal to 0

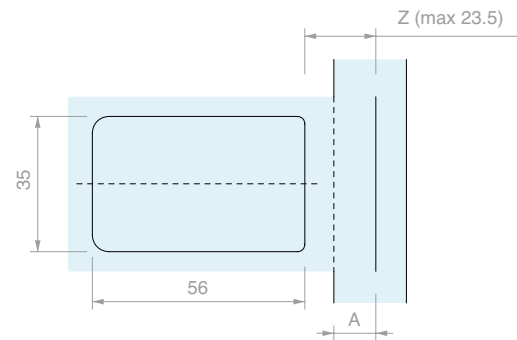
Gluing position (Z)	1.5	2.5	10.5	12.5	14.5	16.5	18.5	19.5	21.5	23.5
Leaf projection (TES)	0	0	0	0	0	0	0	0.5	1.5	3
Leaf overlap (A)	-3	-2	6	8	10	12	14	15	17	19
Overlap (F)/Displacement (S) mon.	F	S	F	S	F	S	F	S	F	S
Leaf thickness 3-8 (TS)	2	2	2	2	2	2	2	2	2	2

CROSSED MOUNTING PLATE ECO - ZAMAK ADAPTOR



Height of mounting plate 0				
Series of holes	37			
	46			

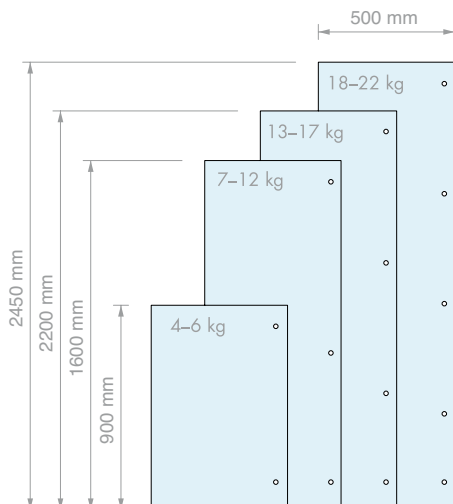
Position of the mounting plate (X)



Height of mounting plate 0				
Series of holes	A	A+4.5		
Neck measurement (Z)	Z	max.19		

Neck measurement (Z)

NUMBER OF HINGES



INSTRUCTIONS

The flush stop is reached by modifying the distance at which the mounting plate is affixed (X) and the reduction of the gluing distance (Z).

Warning: When the leaf is opened, the edge should not touch the furniture.



SNAP WOOD/GLASS HINGE

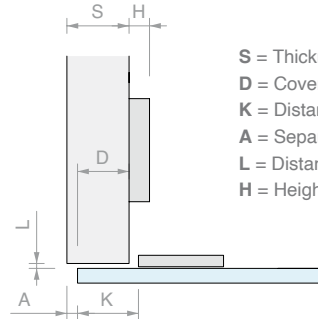
Material: die cast metal

Finish: /95

Maximum rotation 110°

Recommended adhesive:

- Float/Tempered FX630
- Laminated: FX621

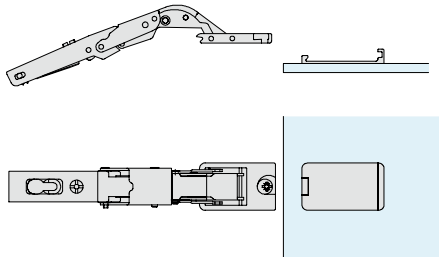


S = Thickness of the side
 D = Coverage of the leaf on the side
 K = Distance from external edge
 A = Separation
 L = Distance to the leaf interior
 H = Height of the mounting base

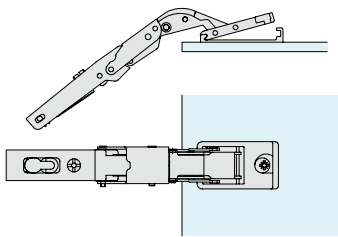
Art.	Plate dimension	For glass	Qty
CERBA2	44 mm x 25 mm	From 3 to 8 mm	1 Pc

MOUNTING:

1) Attach the plate to the leaf (glass or mirror) with the specific UV adhesive.



2) When the plate is well fixed, attach the hinge.



3) Position the body of the hinge on the plate and rotate the eccentric.

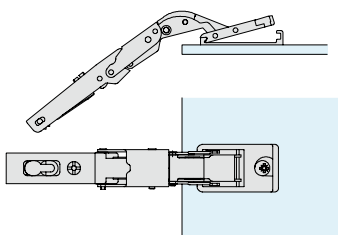
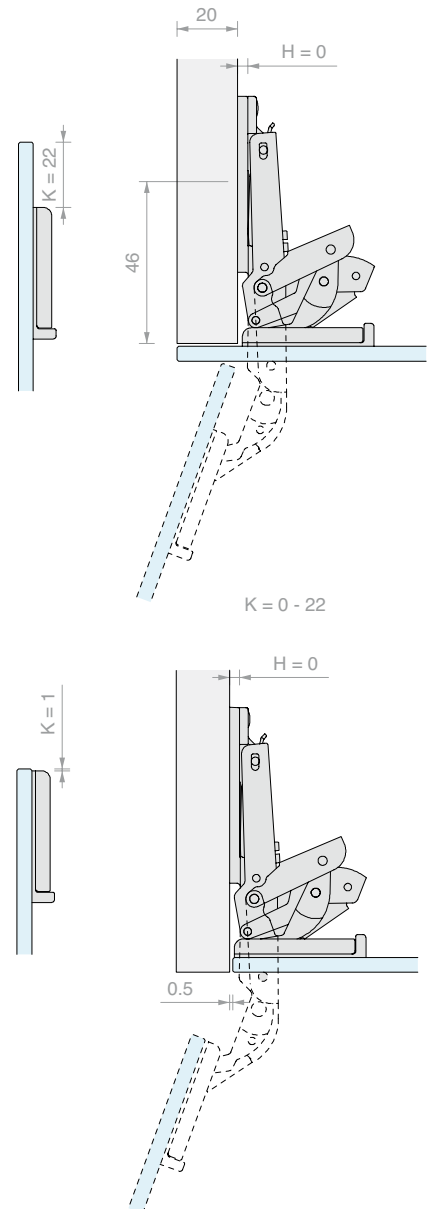


PLATE MOUNTING:





GLASS/GLASS SQUARE SNAP HINGE

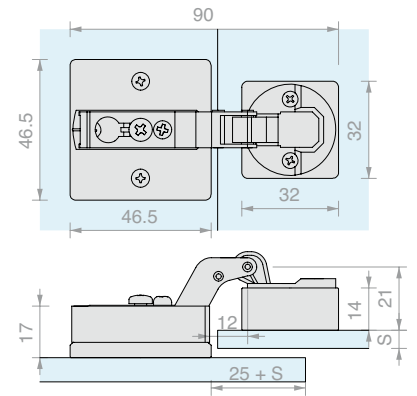
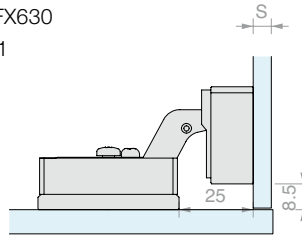
Material: Die cast metal, steel, and plexiglass

Finish: /9

Rest point +90°

Recommended adhesive:

- Float/Tempered FX630
- Laminated: FX621



Art.	Max. length	For glass	Qty
CERUVQ	500 mm	From 6 to 8 mm	1 Pc



GLASS/GLASS ROUND SNAP HINGE

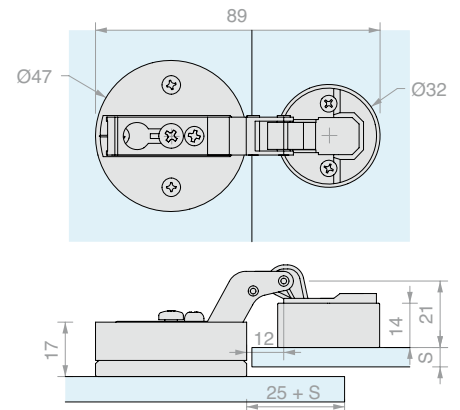
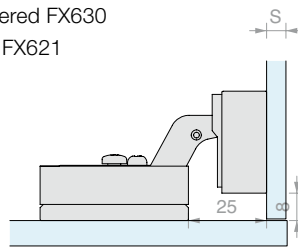
Material: Die cast metal, steel, and plexiglass

Finish: /9

Rest point +90°

Recommended adhesive:

- Float/Tempered FX630
- Laminated: FX621



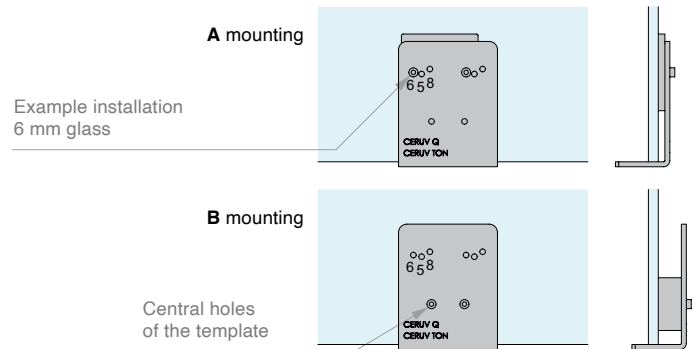
Art.	Max. length	For glass	Qty
CERUVTON	500 mm	From 6 to 8 mm	1 Pc



MOUNTING TEMPLATE CERUVQ-CERUVTON

Material: AISI 304 stainless steel

Finish: /8



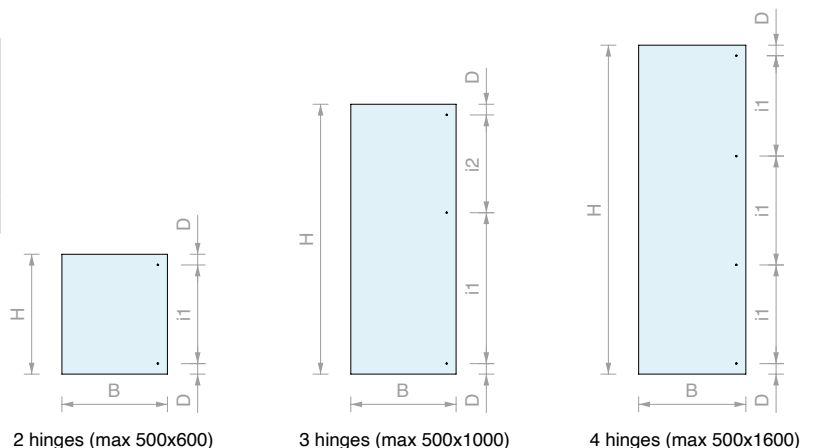
Art.	Qty
FXGAB03	1 Pc

DIAGRAM TO CHOOSE THE CORRECT NUMBER OF HINGES

no. of hinges	B max	H max	i1 min	D min	Recommended max thickness	Max. glass weight [kg]
2	500	600	400	50	8	6
3	500	1000	540	50	8	10
4	500	1600	900	50	8	16

B < H always

$$i2 = \frac{2}{3} i1$$





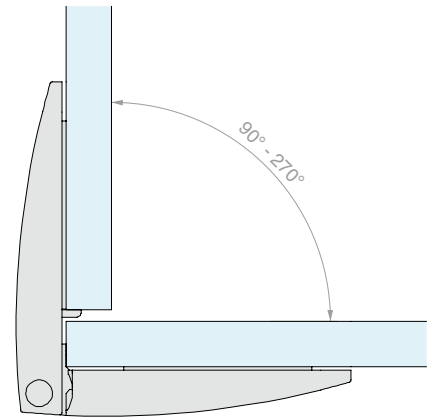
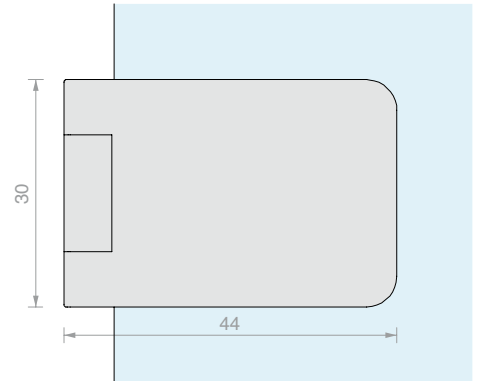
GLASS/GLASS SNAP HINGE

Material: Zamak and steel

Finish: /1 /97

Recommended adhesive:

- Float/Tempered FX630
- Laminated: FX621

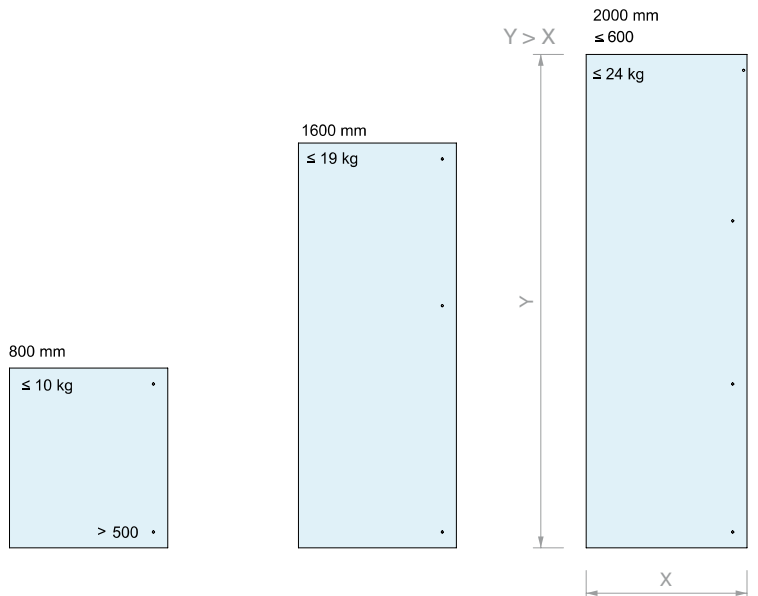


Art.	Max. length	For glass	Qty
CERUVS100	600 mm	From 4 to 6.75 mm	1 Pc

DIAGRAM TO CHOOSE THE CORRECT NUMBER OF HINGES

No. of hinges	Max. glass width [mm]	Max. glass height [mm]	Max. glass weight [kg]
2	600	800	10
3	600	1600	19
4	600	2000	24

Interaxis distance between hinges 500 mm
The height of the glass must be greater than the width





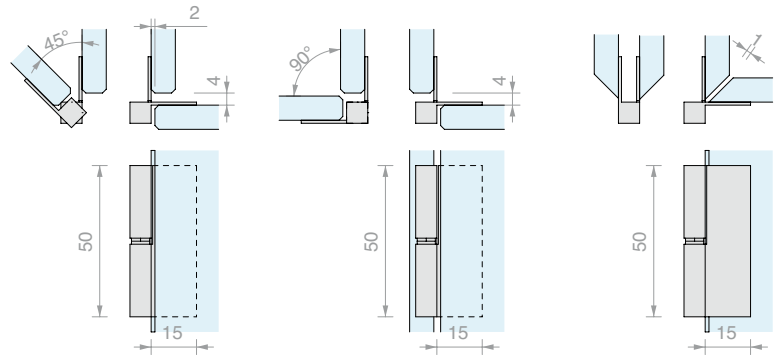
PAIR OF FREE REMOVABLE SNAP GLASS/GLASS HINGES

Material: AISI 304 stainless steel

Finish: /15

Recommended adhesive:

- Float/Tempered FX630
- Laminated: FX621



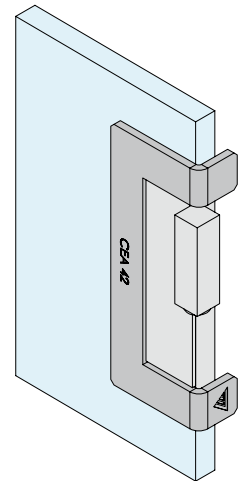
Art.	Max. length	Position	For glass	Qty
CEA42SX	600 mm	Left	< 8 mm	1 Pc
CEA42DX	600 mm	Right	< 8 mm	1 Pc



MOUNTING PLATE CEA42

Material: AISI 304 stainless steel

Finish: /8



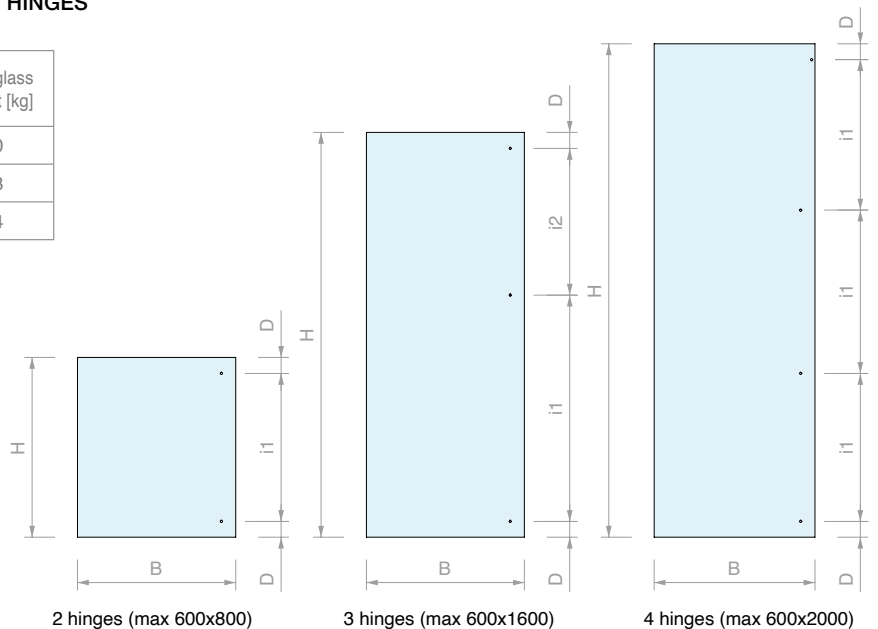
Art.	Qty
FXGAB04	1 Pc

DIAGRAM TO CHOOSE THE CORRECT NUMBER OF HINGES

no. of hinges	B max	H max	i1 min	D min	Recommended max thickness	Max. glass weight [kg]
2	600	800	420	50	8	10
3	600	1600	900	50	8	18
4	600	2000	633	50	8	24

B < H always

$$i2 = \frac{2}{3} i1$$





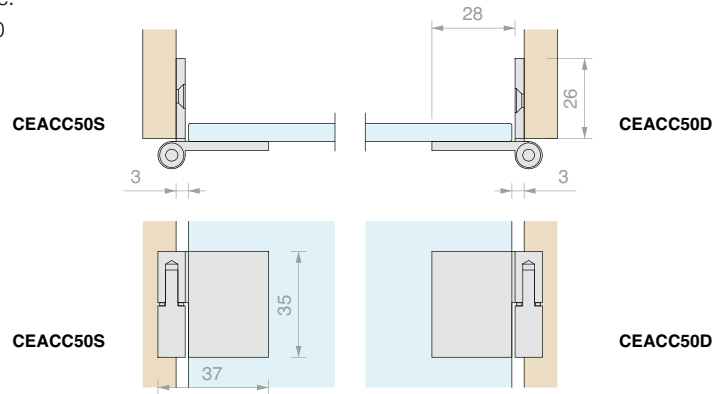
PAIR OF FREE REMOVABLE SNAP WOOD/GLASS HINGES

Material: AISI 304 stainless steel

Finish: /8

Recommended adhesive:

- Float/Tempered FX630
- Laminated: FX621



Art.	Max. length	Position	For glass	Qty
CEACC50S	600 mm	Left	< 8 mm	1 Pc
CEACC50D	600 mm	Right	< 8 mm	1 Pc



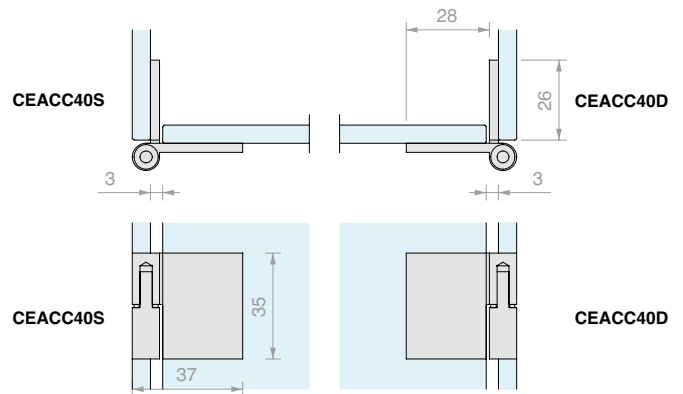
PAIR OF FREE REMOVABLE SNAP GLASS/GLASS HINGES

Material: AISI 304 stainless steel

Finish: /8

Recommended adhesive:

- Float/Tempered FX630
- Laminated: FX621



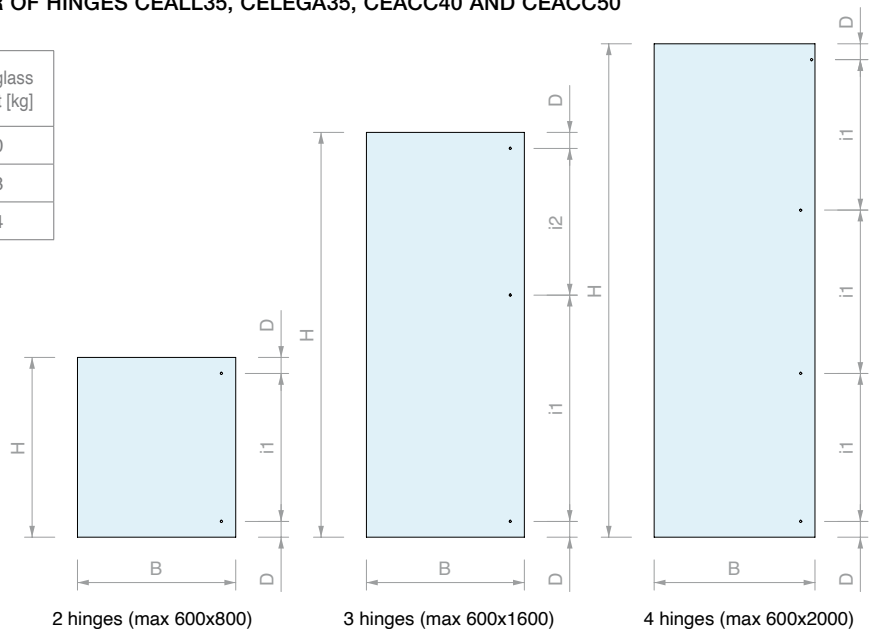
Art.	Max. length	Position	For glass	Qty
CEACC40S	600 mm	Left	< 8 mm	1 Pc
CEACC40D	600 mm	Right	< 8 mm	1 Pc

DIAGRAM FOR CHOOSING THE CORRECT NUMBER OF HINGES CEALL35, CELEGA35, CEACC40 AND CEACC50

no. of hinges	B max	H max	i1 min	D min	Recommended max thickness	Max. glass weight [kg]
2	600	800	420	50	8	10
3	600	1500	840	50	8	18
4	600	2000	633	50	8	24

B < H always

$$i2 = \frac{2}{3} i1$$





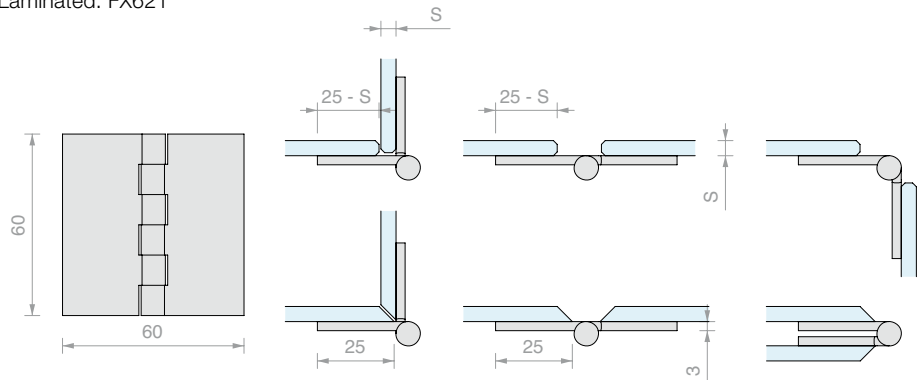
PAIR OF FREE SNAP GLASS/GLASS HINGES

Material: Brass

Finish: /1 /3

Recommended adhesive:

- Float/Tempered FX629
- Laminated: FX621



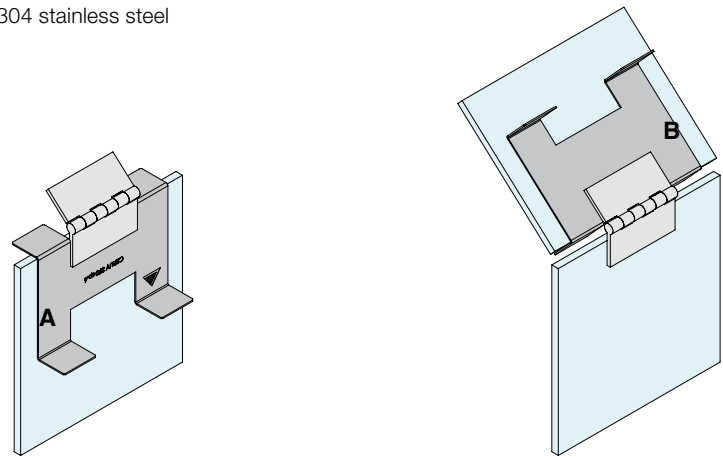
Art.	Max. length	For glass	Qty
CERUV390	600 mm	< 8 mm	1 Pc



MOUNTING PLATE CERUV390

Material: AISI 304 stainless steel

Finish: /8



Use side **A** of the template to glue the first side of the hinge

Use side **B** of the template to glue the second side of the hinge

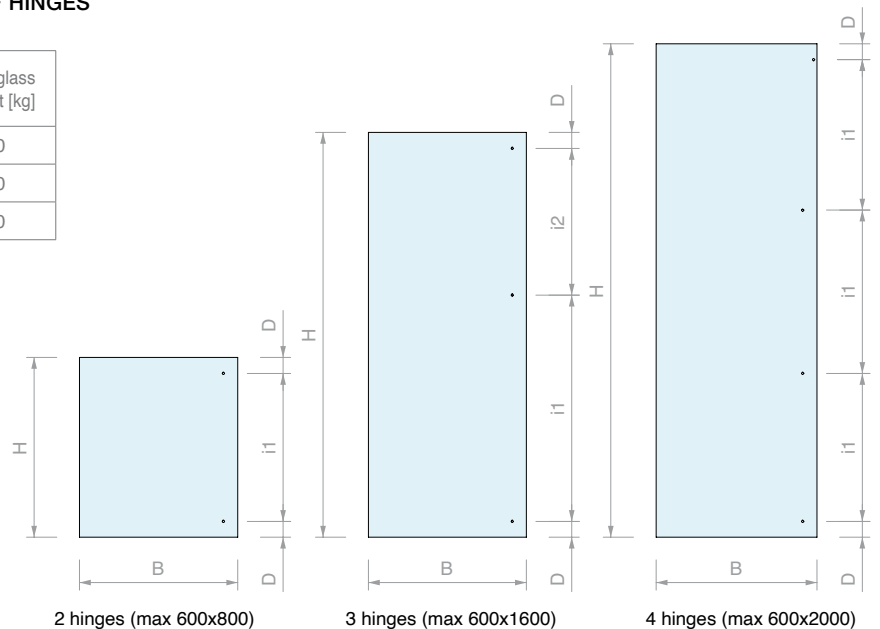
Art.	Package	Qty
FXGAB05	4 Pcs	1 Pc

DIAGRAM TO CHOOSE THE CORRECT NUMBER OF HINGES

no. of hinges	B max	H max	i1 min	D min	Recommended max thickness	Max. glass weight [kg]
2	600	800	420	50	8	10
3	600	1600	900	50	8	20
4	600	2000	633	50	8	30

B < H always

$$i2 = \begin{matrix} 2 \\ 3 \end{matrix} i1$$



2 hinges (max 600x800)

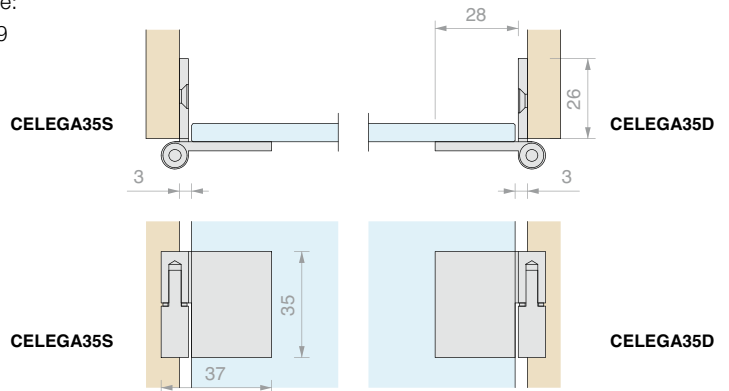
3 hinges (max 600x1600)

4 hinges (max 600x2000)



PAIR OF FREE REMOVABLE SNAP WOOD/GLASS HINGES

Material: Aluminium
 Finish: /90
 Recommended adhesive:
 - Float/Tempered FX629
 - Laminated: FX621

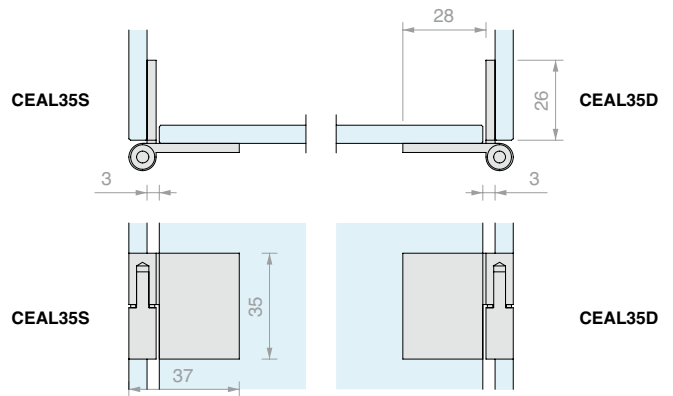


Art.	Max. length	Position	For glass	Qty
CELEGA35S	600 mm	Left	< 8 mm	1 Pc
CELEGA35D	600 mm	Right	< 8 mm	1 Pc



PAIR OF FREE REMOVABLE SNAP GLASS/GLASS HINGES

Material: Aluminium
 Finish: /90
 Recommended adhesive:
 - Float/Tempered FX629
 - Laminated: FX621

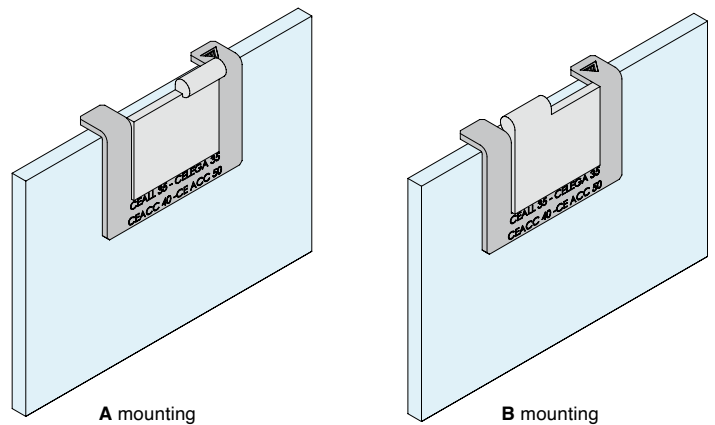


Art.	Max. length	Position	For glass	Qty
CEAL35S	600 mm	Left	< 8 mm	1 Pc
CEAL35D	600 mm	Right	< 8 mm	1 Pc



MOUNTING PLATE CEAL35-CELEGA35-CEACC40-CEACC50

Material: AISI 304 stainless steel
 Finish: /8

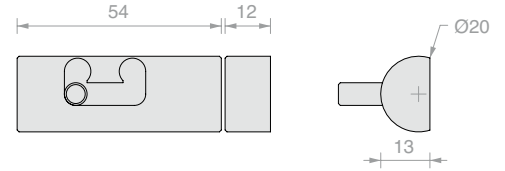


Art.	Qty
FXGAB06	1 Pc



GLASS/GLASS BOLT

Material: AISI 304 steel
 Finish: /9
 Recommended adhesive:
 - Float/Tempered FX629
 - Laminated: FX973

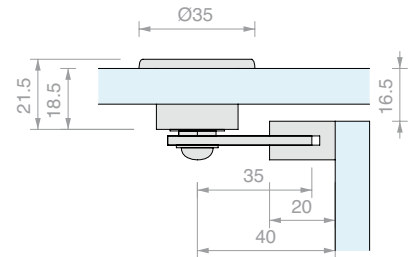


Art.	Pin	Qty
CHLUV20	Ø8 x 8 mm	1 Pc



CORNER GLASS/GLASS LOCK SINGLE DOOR

Material: AISI 304 steel
 Recommended glass hole size Ø25 mm.
 Finish: /9
 Recommended adhesive:
 - Float/Tempered FX630
 - Laminated: FX621

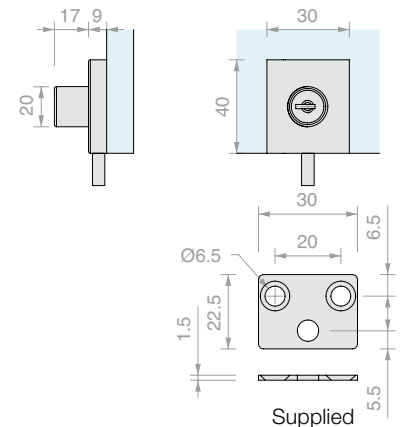


Art.	Key	Qty
SEA46	Single	1 Pc



WOOD/GLASS LOCK, SINGLE DOOR

Material: AISI 304 steel
 Do not move the door by pulling it with the key inserted in the lock cylinder
 Finish: /8
 Recommended adhesive:
 - Float/Tempered FX630
 - Laminated: FX621



Art.	Pin	Key	Qty
SERUV41U	Ø5 x 10 mm	Single	1 Pc

**CORNER GLASS/GLASS LOCK SINGLE DOOR**

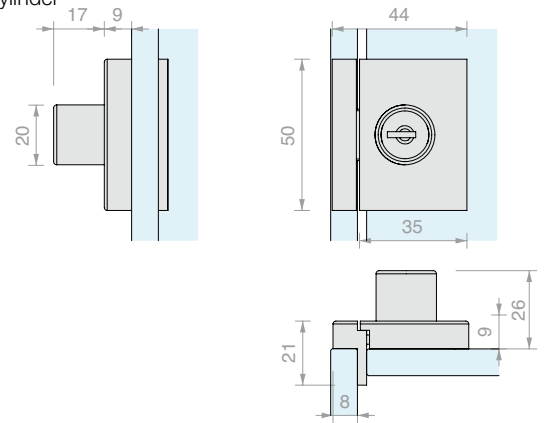
Material: AISI 304 steel

Do not move the door by pulling it with the key inserted in the lock cylinder

Finish: /8 /15

Recommended adhesive:

- Float/Tempered FX630
- Laminated: FX621



Art.

SERUV100U

Key

Single

Qty

1 Pc

**GLASS/GLASS LOCK, DOUBLE DOOR**

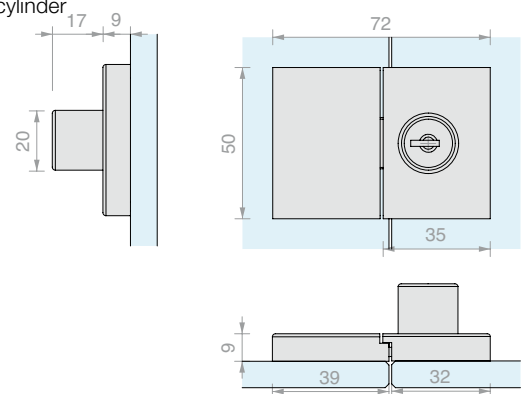
Material: AISI 304 steel

Do not move the door by pulling it with the key inserted in the lock cylinder

Finish: /8 /15

Recommended adhesive:

- Float/Tempered FX630
- Laminated: FX621



Art.

SERUV150U

Key

Single

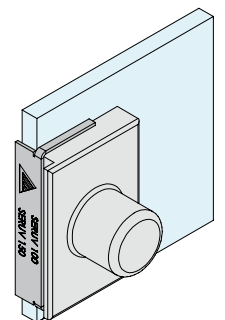
Qty

1 Pc

**MOUNTING TEMPLATE SERUV100 AND SERUV150**

Material: AISI 304 steel

Finish: /8



Art.

FXGAB09

Qty

1 Pc

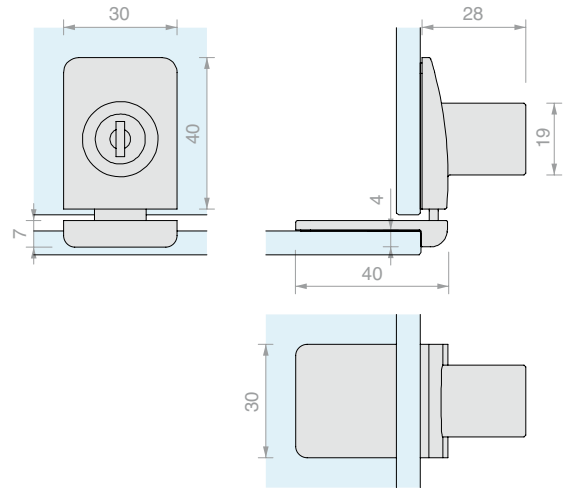
**LOWER GLASS/GLASS LOCK, SINGLE DOOR**

Material: Zamak and steel

Finish: /1 /97

Recommended adhesive:

- Float/Tempered FX630
- Laminated: FX621



Art.	For glass	Key	Qty
SERUVS05	From 4 to 6.7 mm	Different	1 Pc

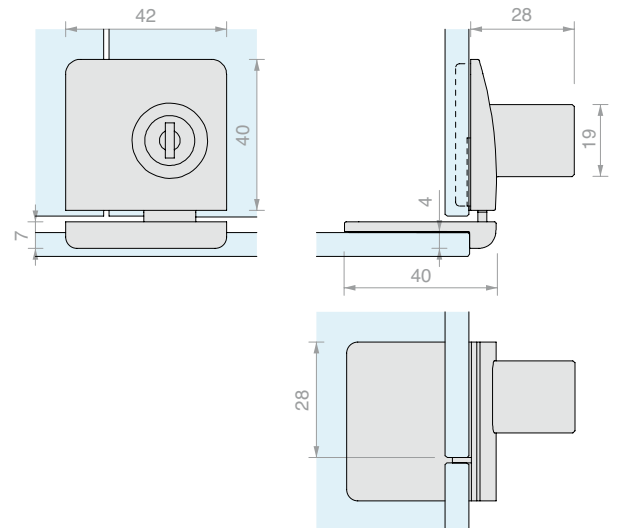
**LOWER GLASS/GLASS LOCK DOUBLE DOOR**

Material: Zamak and steel

Finish: /1 /97

Recommended adhesive:

- Float/Tempered FX630
- Laminated: FX621



Art.	For glass	Key	Qty
SERUVS07	From 4 to 6.7 mm	Different	1 Pc

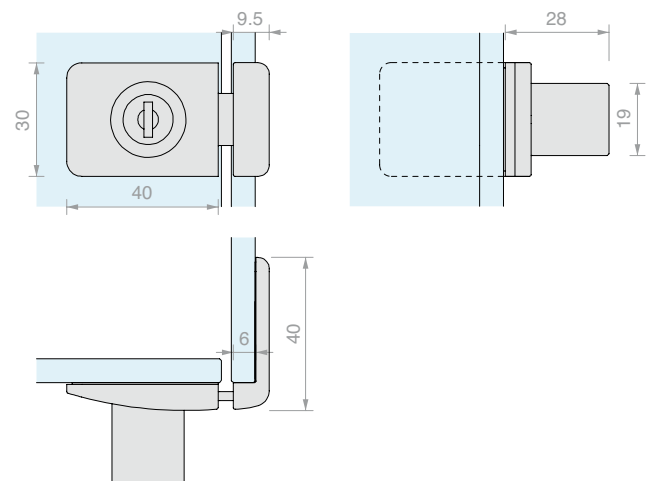
**CORNER GLASS/GLASS LOCK SINGLE DOOR**

Material: Zamak and steel

Finish: /1 /97

Recommended adhesive:

- Float/Tempered FX630
- Laminated: FX621



Art.	For glass	Key	Qty
SERUVS03	From 6 to 6.7 mm	Different	1 Pc

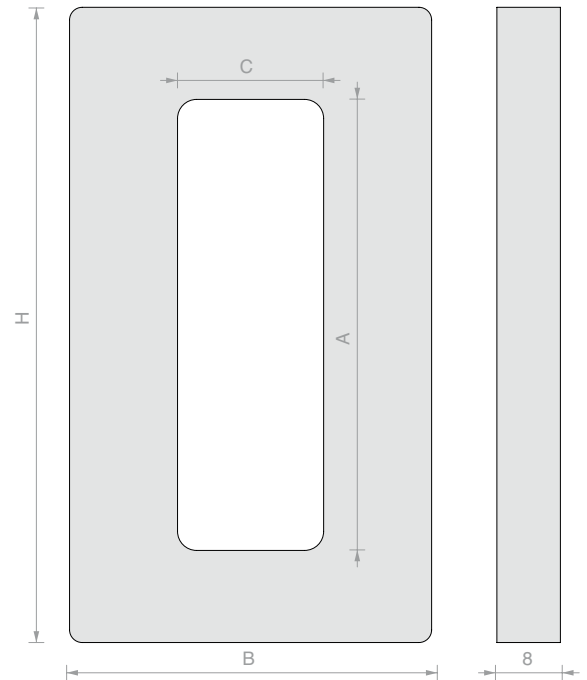
**RECTANGULAR HANDLES**

Material: AISI 304 steel

Finish: /8 /15

Recommended adhesive:

- Float/Tempered FX630
- Laminated: FX621



Art.	H	B	A	C	Qty
MNUV10057	100 mm	57 mm	71 mm	23 mm	1 Pc
MNUV12062	120 mm	62 mm	96 mm	28 mm	1 Pc

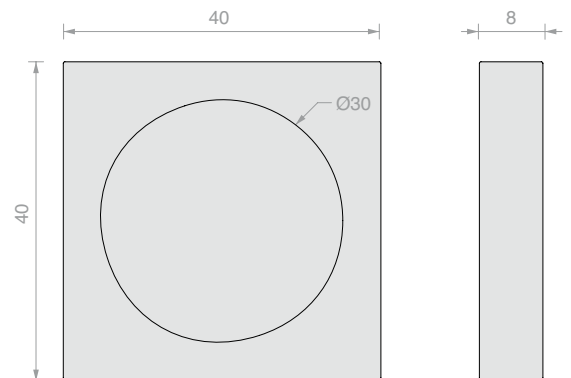
**SQUARE HANDLE**

Material: AISI 304 steel

Finish: /9

Recommended adhesive:

- Float/Tempered FX630
- Laminated: FX621



Art.	Qty
MAUVQ40	1 Pc

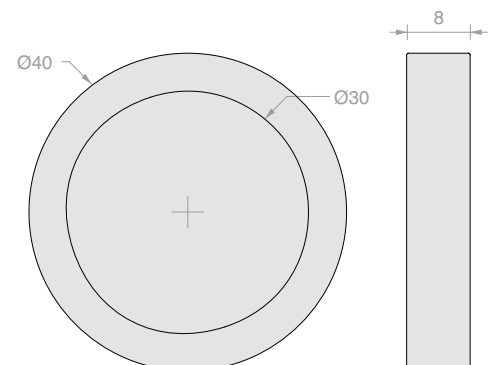
**ROUND HANDLE**

Material: AISI 304 steel

Finish: /9

Recommended adhesive:

- Float/Tempered FX630
- Laminated: FX621

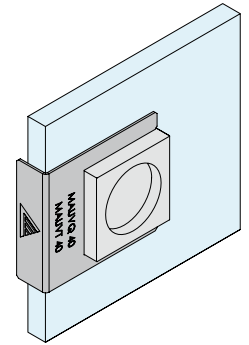


Art.	Qty
MAUVT40	1 Pc



MOUNTING PLATE MABDQ40-MABDT40-MAUVQ40-MAUVT40

Material: AISI 304 steel
Finish: /8



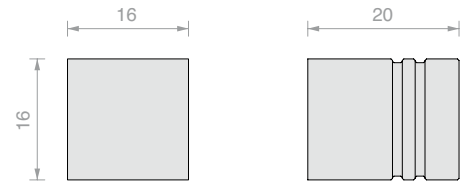
Art. **FXGAB10**

Qty
1 Pc



SQUARE KNOB

Material: AISI 304 steel
Finish: /8 /15
Recommended adhesive:
- Float/Tempered FX629
- Laminated: FX973



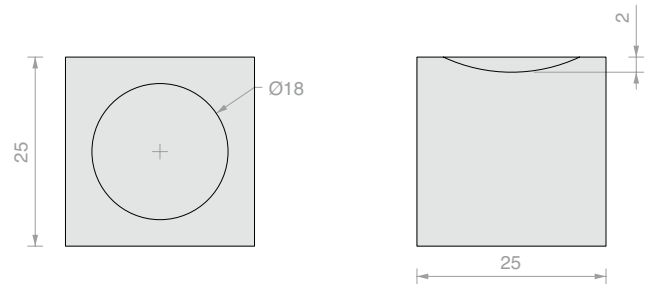
Art. **POMUV16**

Qty
1 Pc



SQUARE KNOB

Material: AISI 304 steel
Finish: /9
Recommended adhesive:
- Float/Tempered FX629
- Laminated: FX973



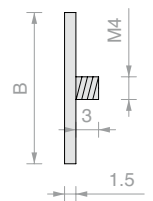
Art. **POMUV9**

Qty
1 Pc



DISC FOR DOOR KNOBS FOR UV BONDING

Material: AISI 304 steel
Finish: /9
Recommended adhesive:
- Float/Tempered FX630
- Laminated: FX621

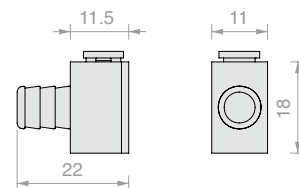


Art.	B	Qty
VETDISC20	20 mm	1 Pc
VETDISC30	30 mm	1 Pc



SINGLE WOOD/GLASS MAGNET

Material: AISI 304 steel
 Finish: /9
 Recommended adhesive:
 - Float/Tempered FX629
 - Laminated: FX973

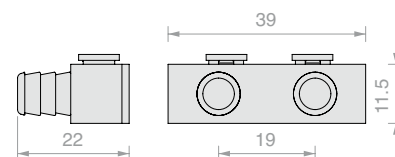


Art.	Counterplate	Qty
CAL23	8 mm	1 Pc



DOUBLE WOOD/GLASS MAGNET

Material: AISI 304 steel
 Finish: /9
 Recommended adhesive:
 - Float/Tempered FX629
 - Laminated: FX973

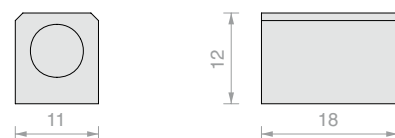


Art.	Counterplate	Qty
CAL27	8 mm	1 Pc



SINGLE GLASS/GLASS MAGNET

Material: AISI 304 steel
 Finish: /9
 Recommended adhesive:
 - Float/Tempered FX629
 - Laminated: FX973

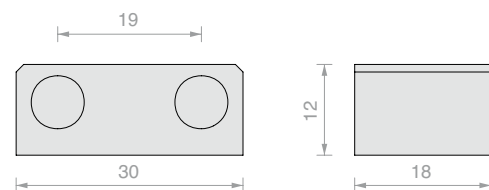


Art.	Counterplate	Qty
CAL009	8 mm	1 Pc



DOUBLE GLASS/GLASS MAGNET

Material: AISI 304 steel
 Finish: /9
 Recommended adhesive:
 - Float/Tempered FX629
 - Laminated: FX973

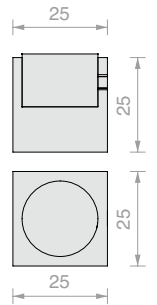


Art.	Counterplate	Qty
CAL010	8 mm	1 Pc



GLASS/GLASS MAGNET

Material: AISI 304 steel
 Finish: /9
 Recommended adhesive:
 - Float/Tempered FX629
 - Laminated: FX973

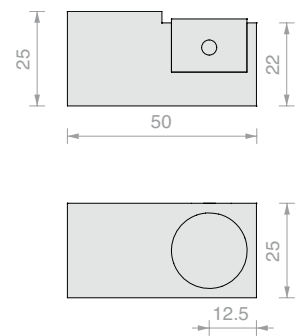


Art.	Counterplate	Qty
CALUV25	19 mm	1 Pc

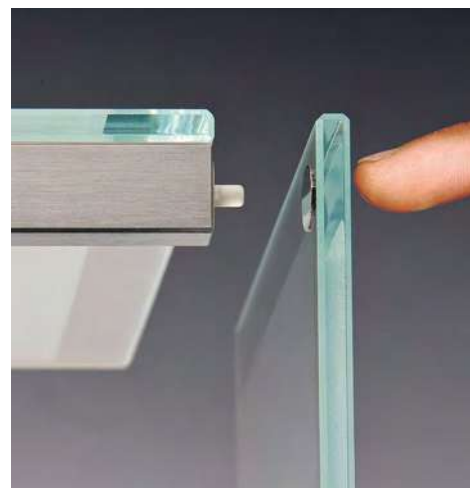


GLASS/GLASS MAGNET WITH STOP

Material: AISI 304 steel
 Finish: /9
 Recommended adhesive:
 - Float/Tempered FX629
 - Laminated: FX973

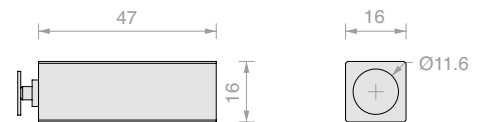


Art.	Counterplate	Qty
CALUV50	19 mm	1 Pc

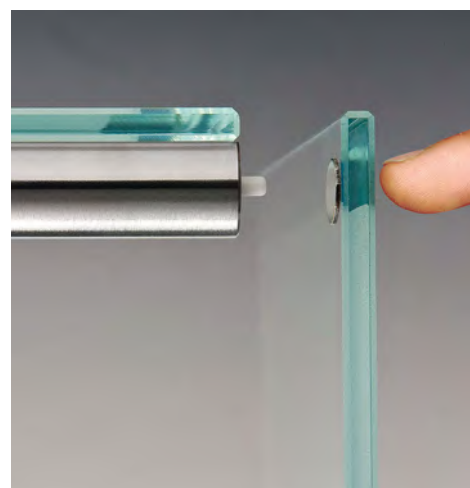


PUSH-OPEN SQUARE GLASS/GLASS MAGNET

Material: AISI 304 steel
 Finish: /9
 Recommended adhesive:
 - Float/Tempered FX629
 - Laminated: FX973

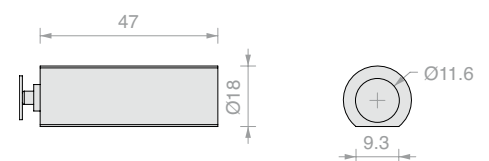


Art.	Qty
CAL17	1 Pc



PUSH-OPEN ROUND GLASS/GLASS MAGNET

Material: AISI 304 steel
 Finish: /9
 Recommended adhesive:
 - Float/Tempered FX629
 - Laminated: FX973



Art.	Qty
CAL18	1 Pc

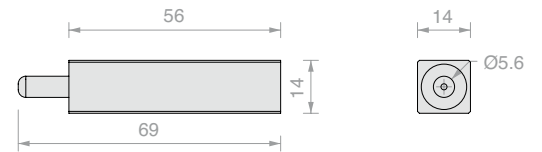
**GLASS/GLASS SOFTSTOP**

Material: AISI 304 steel

Finish: /9

Recommended adhesive:

- Float/Tempered FX629
- Laminated: FX973



Art.

SOFTUV18

Qty

1 Pc

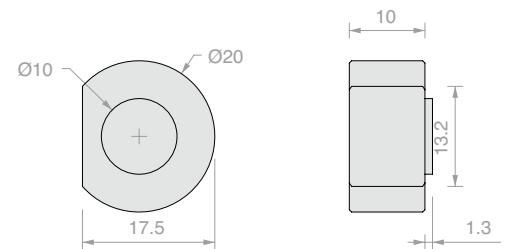
**ADJUSTABLE SHELF SUPPORT**

Material: AISI 304 steel

Finish: /9

Recommended adhesive:

- Float/Tempered FX630
- Laminated: FX621



Art.

REGUV44

Qty

1 Pc

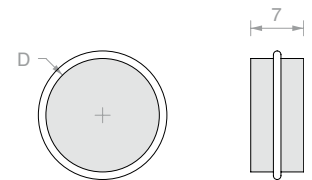
**ROUND SHELF SUPPORT**

Material: AISI 304 steel

Finish: /9

Recommended adhesive:

- Float/Tempered FX630
- Laminated: FX621



Art.

REGA15

D

Ø15 mm

Qty

1 Pc

REGA20

Ø20 mm

1 Pc

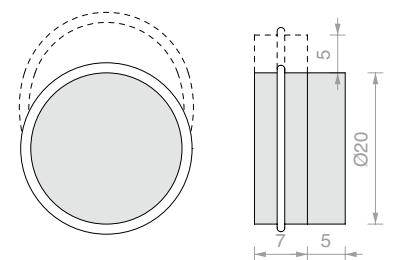
**ECCENTRIC SHELF SUPPORT**

Material: AISI 304 steel

Finish: /9

Recommended adhesive:

- Float/Tempered FX630
- Laminated: FX621



Art.

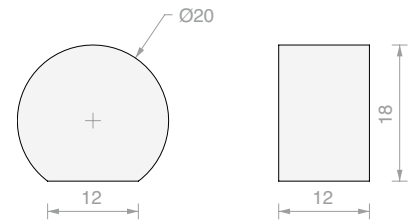
REG ECC20

Qty

1 Pc

**GLASS SHELF SUPPORT**

Material: Optical glass
 Finish: transparent
 Recommended adhesive:
 - Float/Tempered FX627
 - Laminated: FX635



Art.

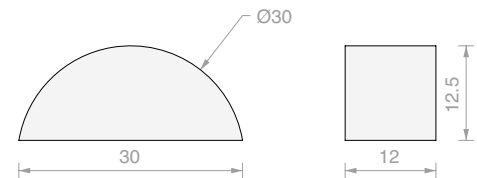
CSFE20

Qty

1 Pc

**GLASS SHELF SUPPORT**

Material: Optical glass
 Finish: transparent
 Recommended adhesive:
 - Float/Tempered FX627
 - Laminated: FX635



Art.

CSFE30

Qty

1 Pc

**GLASS CUBES**

Material: Optical glass
 Finish: transparent
 Recommended adhesive:
 - Float/Tempered FX627
 - Laminated: FX635

Art.

Dimensions

Qty

CC000 15 mm x 15 mm x 15 mm 1 Pc**CC001** 20 mm x 20 mm x 20 mm 1 Pc**CC002** 30 mm x 30 mm x 30 mm 1 Pc**GLASS PARALLELEPIPEDS**

Material: Optical glass
 Finish: transparent
 Recommended adhesive:
 - Float/Tempered FX627
 - Laminated: FX635

Art.

Dimensions

Qty

PAR001 20 mm x 30 mm x 15 mm 1 Pc**PAR002** 30 mm x 30 mm x 70 mm 1 Pc**PAR003** 40 mm x 40 mm x 70 mm 1 Pc**PAR004** 50 mm x 50 mm x 80 mm 1 Pc

**GLASS SPHERES WITH FLATTENED STONE BOTTOM**

Material: Optical glass

Finish: transparent

Recommended adhesive:

- Float/Tempered FX627
- Laminated: FX635

Art.	Dimensions	Flattening	Qty
SFE001T	Ø20 mm	Ø11 mm	1 Pc
SFE002T	Ø25 mm	Ø12 mm	1 Pc
SFE003T	Ø30 mm	Ø13 mm	1 Pc
SFE004T	Ø40 mm	Ø18 mm	1 Pc
SFE005T	Ø50 mm	Ø23 mm	1 Pc

**GLASS KNOBS**

Material: Optical glass

Finish: transparent

Recommended adhesive:

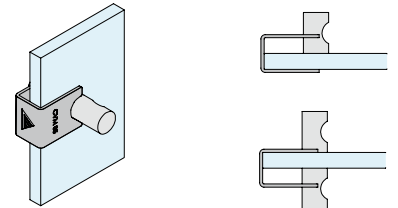
- Float/Tempered FX627
- Laminated: FX635

Art.	Dimensions	Qty
CVM01	Ø40 x 60 mm	1 Pc
CVM03	Ø20 x 30 mm	1 Pc
CVM05	Ø15 x 25 mm	1 Pc

**MOUNTING TEMPLATE CVM**

Material: AISI 304 steel

Finish: /8

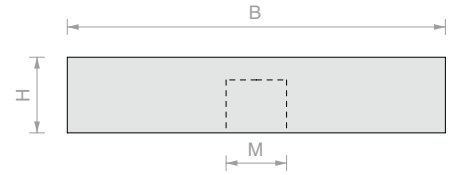


Art.	For Art.:	Qty
FXGAB11	CVM01	1 Pc
FXGAB12	CVM03	1 Pc
FXGAB13	CVM05	1 Pc



UV BONDING DISCS

Material: AISI 304 steel
 Finish: /9
 Recommended adhesive:
 - Float/Tempered FX630
 - Laminated: FX621

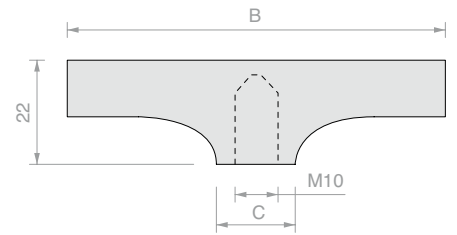


Art.	B	H	M	Qty
DISC009	Ø25 mm	6 mm	M6	1 Pc
DISC008	Ø30 mm	10 mm	M8	1 Pc
DISC007	Ø35 mm	10 mm	M10	1 Pc
DISC006	Ø40 mm	10 mm	M6	1 Pc
DISC005	Ø40 mm	10 mm	M10	1 Pc
DISC0055	Ø45 mm	10 mm	M6	1 Pc
DISC004	Ø50 mm	10 mm	M8	1 Pc
DISC002	Ø50 mm	10 mm	M10	1 Pc
DISC036	Ø60 mm	10 mm	M10	1 Pc
DISC003	Ø75 mm	10 mm	M10	1 Pc
DISC001	Ø100 mm	10 mm	M10	1 Pc



UV BONDING DISCS FOR WHEELS

Material: AISI 304 steel
 Finish: /9
 Recommended adhesive:
 - Float/Tempered FX630
 - Laminated: FX621

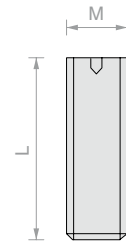


Art.	B	C	Qty
DISC153	Ø50 mm	Ø20 mm	1 Pc
DISC152	Ø75 mm	Ø30 mm	1 Pc
DISC151	Ø100 mm	Ø40 mm	1 Pc



STEEL HEX HEAD GRUB SCREW

Material: AISI 304 steel
 Finish: /9



Art.	L	M	Qty	Art.	L	M	Qty
MGRAN7	10 mm	M6	1 Pc	MGRAN43	45 mm	M8	1 Pc
MGRAN5	16 mm	M6	1 Pc	MGRAN42	50 mm	M8	1 Pc
MGRAN55	20 mm	M6	1 Pc	MGRAN3	16 mm	M10	1 Pc
MGRAN41	14 mm	M8	1 Pc	MGRAN22	20 mm	M10	1 Pc
MGRAN4	16 mm	M8	1 Pc	MGRAN2	25 mm	M10	1 Pc
MGRAN47	20 mm	M8	1 Pc	MGRAN15	30 mm	M10	1 Pc
MGRAN46	25 mm	M8	1 Pc	MGRAN1	40 mm	M10	1 Pc
MGRAN451	30 mm	M8	1 Pc	MGRAN11	45 mm	M10	1 Pc
MGRAN45	35 mm	M8	1 Pc	MGRAN12	50 mm	M10	1 Pc
MGRAN44	40 mm	M8	1 Pc				

**WHEELS**

Material: Rubber and AVP sheet metal

Static load capacity: 45 kg/wheel

Colour: grey rubber

Finish: /1



Art.	Dimensions	Thread start height	Stopper	Qty
RUOT114010	Ø75 mm	H 100 mm x M10	NO	1 Pc
RUOT115011	Ø75 mm	H 100 mm x M10	YES	1 Pc

**WHEEL**

Material: ABS and AVP

Static load capacity: 50 kg/wheel

Colour: black rubber

Finish: /1

Art.	Dimensions	Thread start height	Stopper	Qty
RUOT100005	Ø50 mm	H 62 mm x M10	NO	1 Pc

**WHEEL**

Material: Zamak and grey rubber

Static load capacity: 70 kg/wheel

Finish: /1

Art.	Dimensions	Thread start height	Stopper	Qty
RUOTA70C	Ø90 mm	H 120 mm x M10	YES	1 Pc

**WHEEL**

Material: Zamak and grey rubber

Static load capacity: 70 kg/wheel

Finish: /97

Art.	Dimensions	Thread start height	Stopper	Qty
RUOTA70A	Ø90 mm	H 120 mm x M10	YES	1 Pc

**WHEEL**

Material: Transparent nylon and AVP body

Static load capacity: 50 kg/wheel

Finish: /1

Art.	Dimensions	Thread start height	Stopper	Qty
RUOT125018	Ø80 mm	H 135 mm x M10	NO	1 Pc

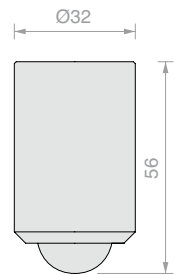
**BASE PLATE**

Material: Stainless steel and PVC

Finish: /9

Recommended adhesive:

- Float/Tempered FX630
- Laminated: FX621



Art.	Qty
PIEDUV32	1 Pc

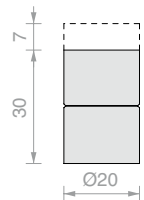
**ADJUSTABLE SUPPORT FOOT**

Material: Stainless steel

Finish: /9

Recommended adhesive:

- Float/Tempered FX630
- Laminated: FX621



Art.	Qty
PIEDACC20	1 Pc

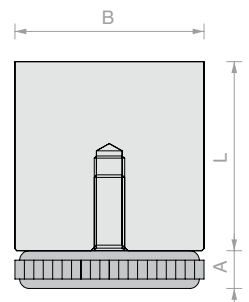
**ADJUSTABLE SUPPORT FOOT**

Material: AISI 304 stainless steel + black nylon

Finish: /9

Recommended adhesive:

- Float/Tempered FX630
- Laminated: FX621



Art.	B	L	A	Qty
PIEDUV25	Ø25 mm	25 mm	7 mm	1 Pc
PIEDUV35	Ø35 mm	35 mm	9 mm	1 Pc
PIEDUV50	Ø50 mm	50 mm	9.5 mm	1 Pc

**TABLE LEG**

Material: AVP sheet metal with AISI 304 stainless steel disc and brass foot

Finish: /1

Recommended adhesive:

- Float/Tempered FX630
- Laminated: FX621



Dimensions:
Ø60/35 H720 mm
Support foot Ø45mm

Art.	Blade	Qty
GAMB60A	Ø100 mm	1 Pc

TABLE LEG

Material: AVP sheet metal with AISI 304 stainless steel disc and adjustable foot in PVC. Maximum adjustment ± 10 mm

Finish: /1

Recommended adhesive:

- Float/Tempered FX630
- Laminated: FX621



Dimensions:
Ø60/35 H720 mm
Support foot Ø50mm

Art.	Blade	Qty
GAMB60B	Ø75 mm	1 Pc

TABLE LEG

Material: AVP sheet metal with AISI 304 stainless steel disc and adjustable foot in PVC. Maximum adjustment ± 10 mm

Finish: /1

Recommended adhesive:

- Float/Tempered FX630
- Laminated: FX621



Dimensions:
Ø60 H720 mm
Support foot Ø60mm

Art.	Blade	Qty
GAMB127	Ø75 mm	1 Pc

TABLE LEG

Material: AVP sheet metal with AISI 304 stainless steel disc and adjustable foot in PVC. Maximum adjustment ± 10 mm

Finish: /1

Recommended adhesive:

- Float/Tempered FX630
- Laminated: FX621



Dimensions:
Ø80 H720 mm
Support foot Ø80mm

Art.	Blade	Qty
GAMB130	Ø100 mm	1 Pc

SHELVES





**ACCESSORIES FOR SHELVES
SUSPENDED WITH CABLES**
Page 113



**SHELF SUPPORT WITH
CONTINUOUS REGTER PROFILE**
Page 119



POINT SHELF SUPPORT
Page 124



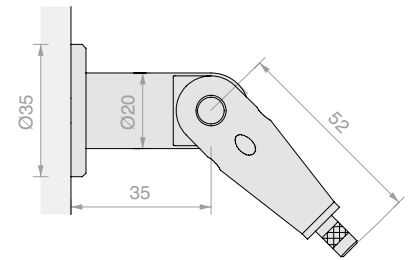
RACK SYSTEMS
Page 135



**ARTICULATED TAPERED WALL FIXING**

Material: Brass

Finish: /1



Art.

NMS35

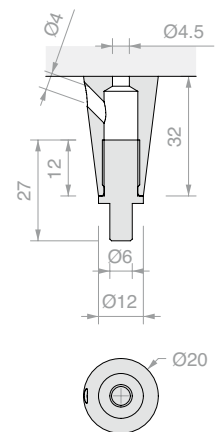
Qty

1 Pc

**TAPERED CEILING FIXING**

Material: Brass

Finish: /1



Art.

NMS14

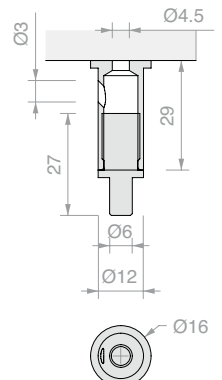
Qty

1 Pc

**CYLINDRICAL CEILING FIXING**

Material: Brass

Finish: /1



Art.

NMS15

Qty

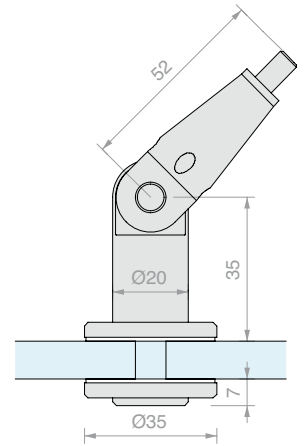
1 Pc

**ARTICULATED GLASS END FIXING**

Material: Brass

Recommended glass hole size Ø8 mm.

Finish: /1



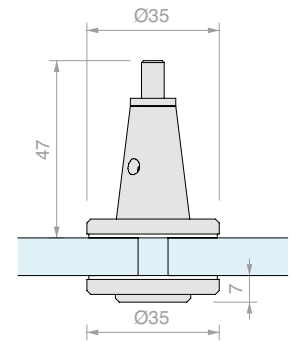
Art.	For glass	Qty
NMS40	From 6 to 21 mm	1 Pc

**CONICAL END GLASS FIXING**

Material: Brass

Recommended glass hole size Ø8 mm.

Finish: /1



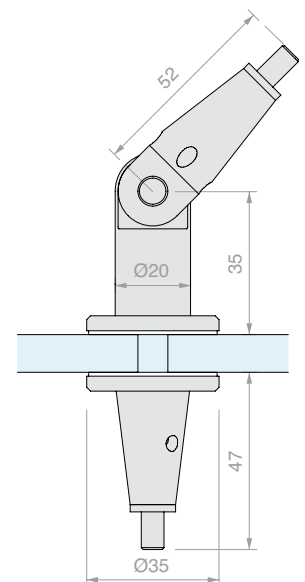
Art.	For glass	Qty
NMS45	From 6 to 21 mm	1 Pc

**ARTICULATED TAPERED GLASS-THROUGH FIXING**

Material: Brass

Recommended glass hole size Ø8 mm.

Finish: /1



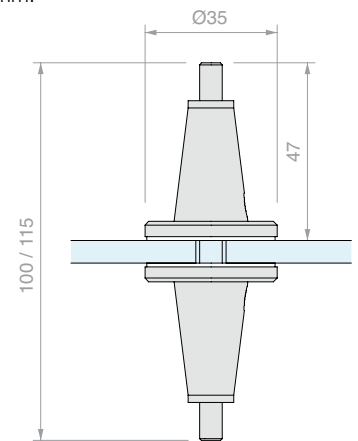
Art.	For glass	Qty
NMS50	From 6 to 21 mm	1 Pc

**TAPERED THROUGH GLASS FIXING**

Material: Brass

Recommended glass hole size Ø8 mm.

Finish: /1



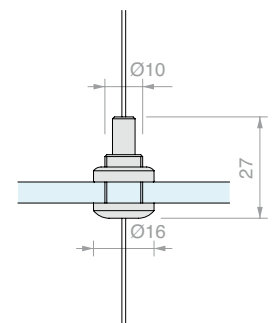
Art.	For glass	Qty
NMS75	From 6 to 21 mm	1 Pc

**GLASS END FIXING WITH THROUGH CABLE**

Material: Brass

Recommended glass hole size Ø11 mm.

Finish: /95

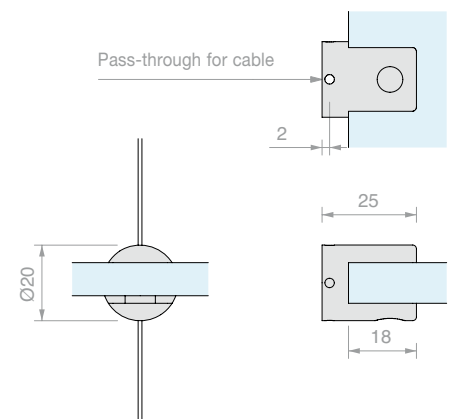


Art.	For glass	Qty
NMS16	From 4 to 10 mm	1 Pc

**SHELF SUPPORT WITH PASS-THROUGH CABLE**

Material: Brass

Finish: /1 /3



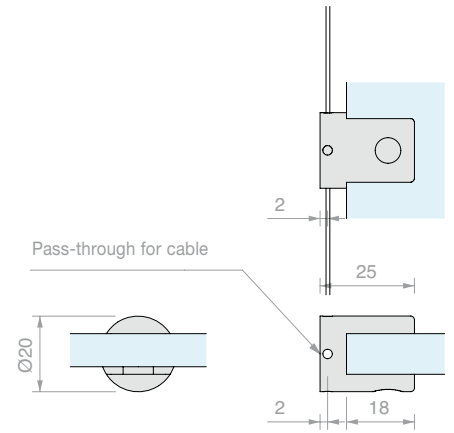
Art.	For glass	Qty
NMS006	From 5 to 10 mm	1 Pc



VERTICAL SHELF SUPPORT WITH PASS-THROUGH CABLE

Material: Brass

Finish: /1 /3



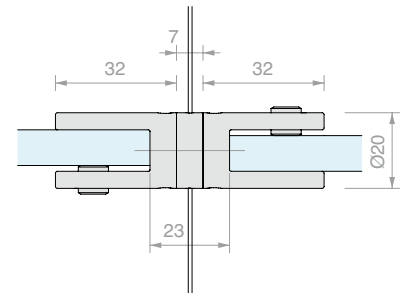
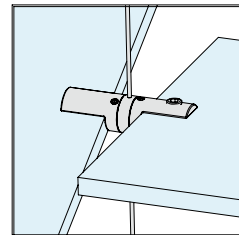
Art.	For glass	Qty
NMS007	From 5 to 10 mm	1 Pc



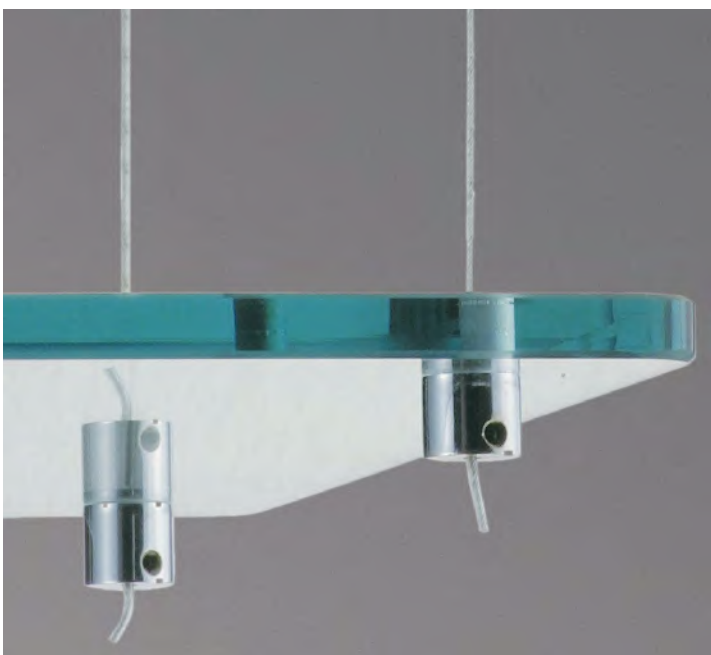
ADJUSTABLE DOUBLE SHELF SUPPORT WITH PASS-THROUGH CABLE

Material: Brass

Finish: /1



Art.	For glass	Qty
NMS008	From 5 to 10 mm	1 Pc

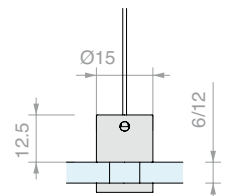


END GLASS FIXING WITH CABLE

Material: Brass

Recommended glass hole size Ø10 mm.

Finish: /1 /3

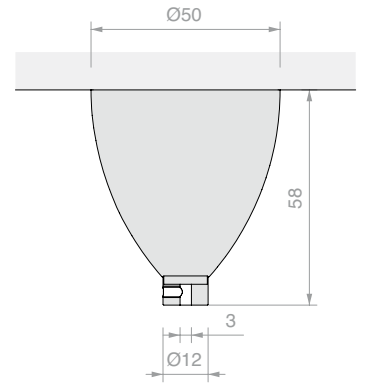


Art.	For glass	Qty
NMS002	From 6 to 8 mm	1 Pc
NMS003	From 10 to 12 mm	1 Pc

**COVER FOR CEILING FIXING**

Material: Brass

Finish: /1 /3



Art.

NMS005

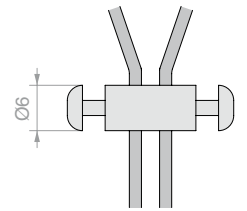
Qty

1 Pc

**CABLE STOPPER**

Material: Brass

Finish: /1



Art.

NMS004

Qty

1 Pc

**CABLE FOR SHELVES**

Material: Steel, nylon

Nominal diameter 1 mm, nominal single cable diameter 0.25 mm, total wires 12, Ø1.6 with nylon coating.

- Wire material: C70 steel
- Wire resistance: 180/200 Kg/mm²
- Ultimate tensile strength of just the cable (kg): 110 Kg*
- Surface protection: Galvanisation
- Elastic modulus: 700 Mpa

Minimum package 3 m – Linear package max. 10 m

* Break value of cable NMS001

is not to be considered to be the load of the complete shelf

Art.

NMS001

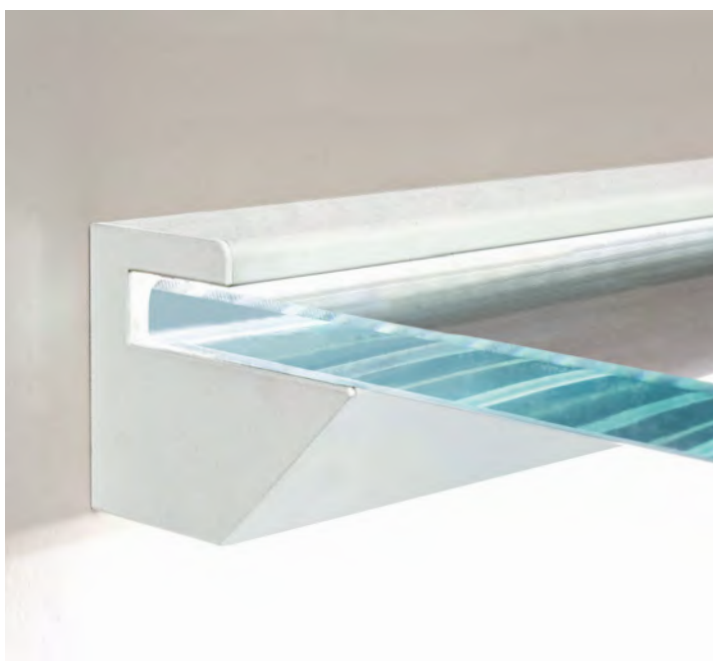
Dimensions

Ø1.6 mm

Qty

1 m

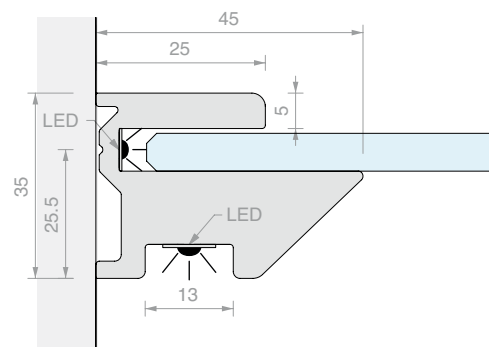


**SHELF BRACKET PROFILE REGTER08**

Material: Aluminium

Finish: /6 /88 /91 /97 /RAL

LEDs and caps to be ordered separately



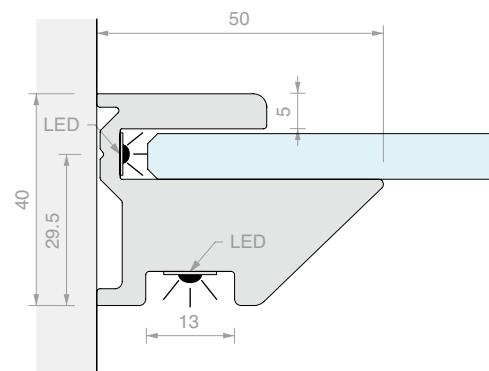
Art.	Length	For glass	Qty
REGTER08	3000 mm	8 mm	1 Pc

**SHELF BRACKET PROFILE REGTER10**

Material: Aluminium

Finish: /6 /88 /91 /97 /RAL

LEDs and caps to be ordered separately



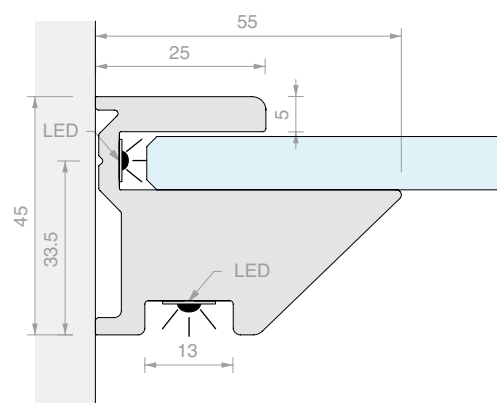
Art.	Length	For glass	Qty
REGTER10	3000 mm	10 mm	1 Pc

**SHELF BRACKET PROFILE REGTER12**

Material: Aluminium

Finish: /6 /88 /91 /97 /RAL

LEDs and caps to be ordered separately

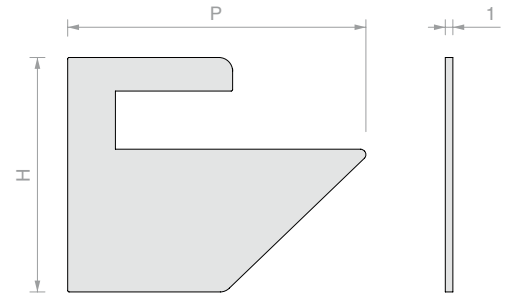


Art.	Length	For glass	Qty
REGTER12	3000 mm	12 mm	1 Pc

**2 END CAPS**

Material: Aluminium

Finish: /88 /91 /97 /R2 /RAL

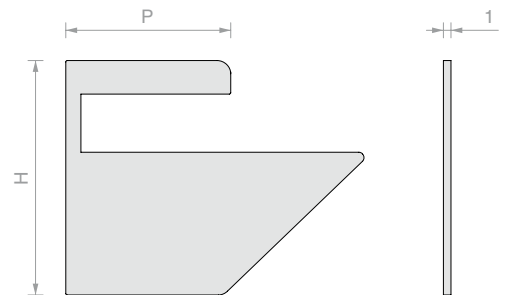


Art.	H	P	For profile	Qty
REGTP08	35 mm	44.5 mm	REGTER08	1 Pc
REGTP10	40 mm	49.5 mm	REGTER10	1 Pc
REGTP12	45 mm	54.5 mm	REGTER12	1 Pc

**2 END CAPS FOR PASS-THROUGH GLASS**

Material: Aluminium

Finish: /88 /91 /97 /R2 /RAL

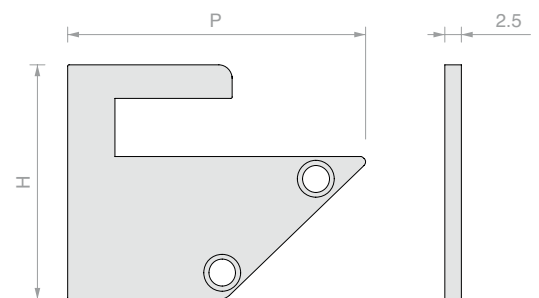


Art.	H	P	For profile	Qty
REGTP08AP	35 mm	44.5 mm	REGTER08	1 Pc
REGTP10AP	40 mm	49.5 mm	REGTER10	1 Pc
REGTP12AP	45 mm	54.5 mm	REGTER12	1 Pc

**2 END CAPS WITH SCREWS**

Material: Aluminium

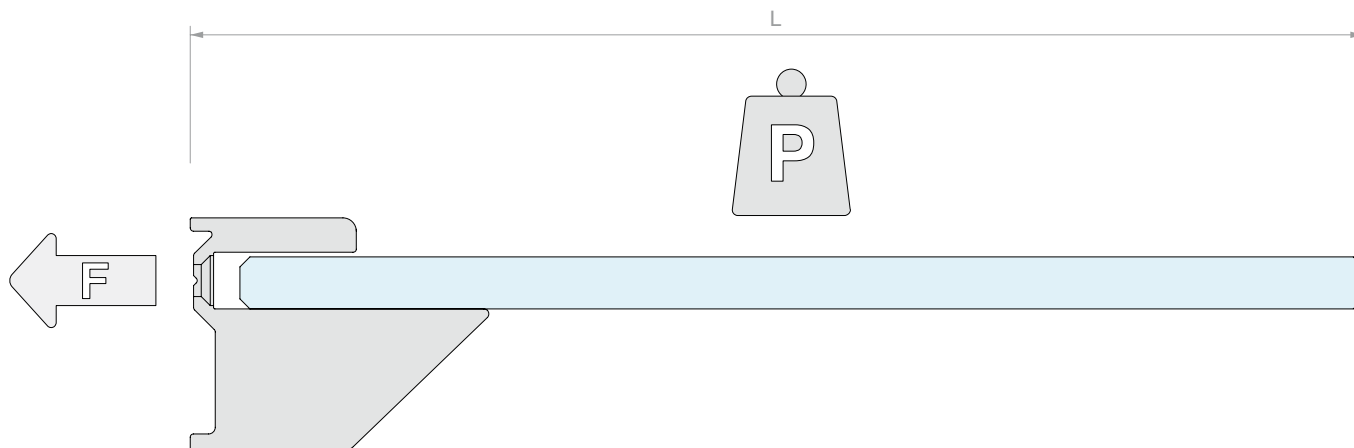
Finish: /88 /91 /97 /R2 /RAL



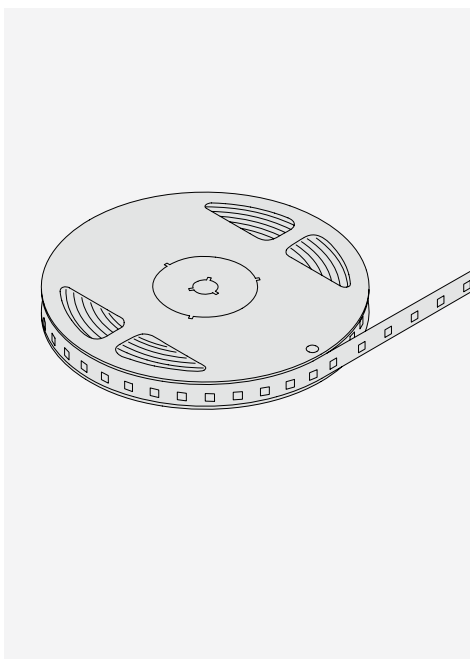
Art.	H	P	For profile	Qty
REGTP08VIT	35 mm	44.5 mm	REGTER08	1 Pc
REGTP10VIT	40 mm	49.5 mm	REGTER10	1 Pc
REGTP12VIT	45 mm	54.5 mm	REGTER12	1 Pc



REGTER MAXIMUM OPERATING LOADS

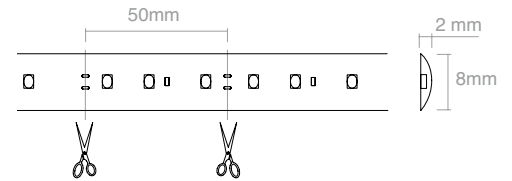


		L = 100	L = 150	L = 200	L = 250	L = 300	L = 350	L = 400
REGTER08		50kg/m	30kg/m	20kg/m	15kg/m	10kg/m		
		1kN/m						
REGTER10		80kg/m	50kg/m	30kg/m	25kg/m	20kg/m	15kg/m	10kg/m
		1.5kN/m						
REGTER12		100kg/m	80kg/m	60kg/m	40kg/m	30kg/m	25kg/m	20kg/m
		2kN/m						

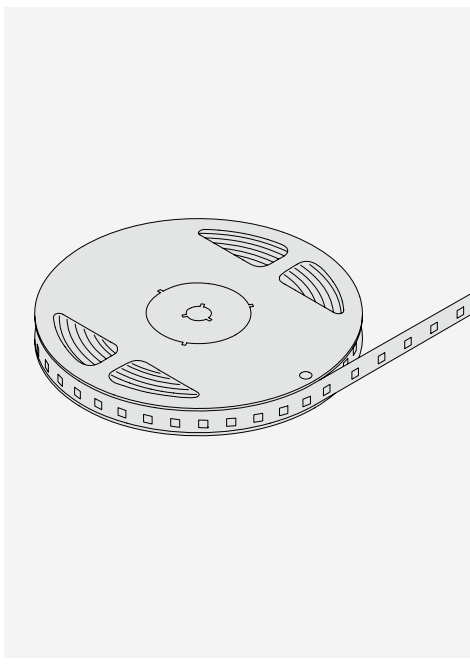
**LED STRIP 8 - 24V DC IP20 FOR GLASS BACKLIGHTING**

LED Strip 24V DC IP 20, 9.6W/m 140 LED/m

CCT 4000K - lm/m 922 - lm/W 96



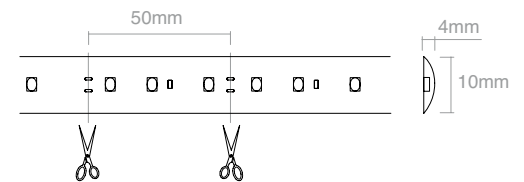
Art.	Length	Qty
LEDST008	5000 mm	1 Pc

**LED STRIP 1 - 24V DC IP66****FOR GLASS BACKLIGHTING 9.6 W/M 140 LED/M**

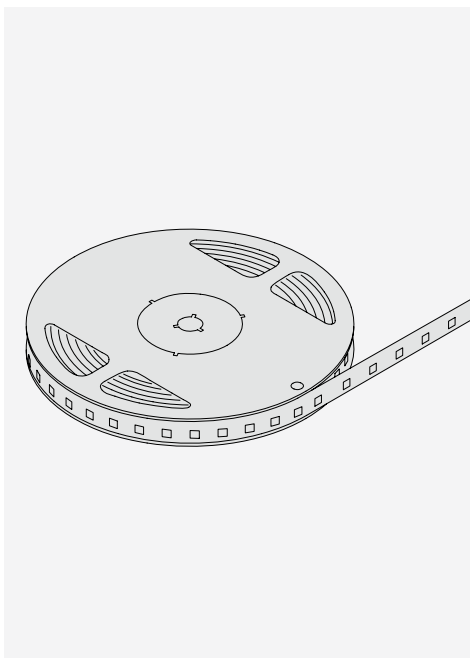
ALSO SUITABLE FOR OUTDOOR USE

LED Strip 24V DC IP 66, 9.6W/m 140 LED/m

CCT 4000K - lm/m 922 - lm/W 96



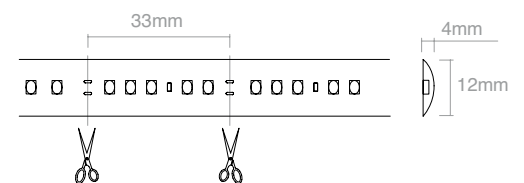
Art.	Length	Qty
LEDST001	5000 mm	1 Pc

**LED STRIP 2 - 24V DC IP66****FOR GLASS BACKLIGHTING 14.4 W/M 210 LED/M**

ALSO SUITABLE FOR OUTDOOR USE

LED strip 24V DC IP66 power 14.4 W/m 210 LED/m

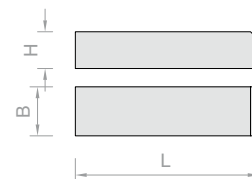
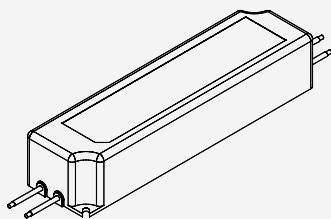
CCT 4000K - lm/m 1324 - lm/W 92



Art.	Length	Qty
LEDST002	5000 mm	1 Pc

**24V DC POWER SUPPLY**

ALSO SUITABLE FOR OUTDOOR USE

24V DC power supply, 35 W to 150 W, IP67**100-240 V operation**

Art.	Power supply unit	L	B	H	Qty
LED24035IP	24V DC 35 W IP67	150 mm	40 mm	30 mm	1 Pc
LED24060IP	24V DC 60 W IP67	162 mm	42 mm	32 mm	1 Pc
LED24100IP	24V DC 100 W IP67	190 mm	52 mm	37 mm	1 Pc
LED24150IP	24V DC 150 W IP67	222 mm	68 mm	38 mm	1 Pc

CONNECTION DIAGRAM - PARALLEL CIRCUIT

- Pay attention to the polarity of the products.
- Only use stabilised 24V DC power supplies.
- After having calculated the total power draw of the devices to be installed, select a power supply unit which always has a load margin of more than 15/20% over the calculated load.
- During maintenance, disconnect the power supply.

Connect multiple devices in parallel:

to avoid damaging the LEDs, make all connections before powering on.

Max. continuous length 5 metres

Example: Length of STRIP 3 m

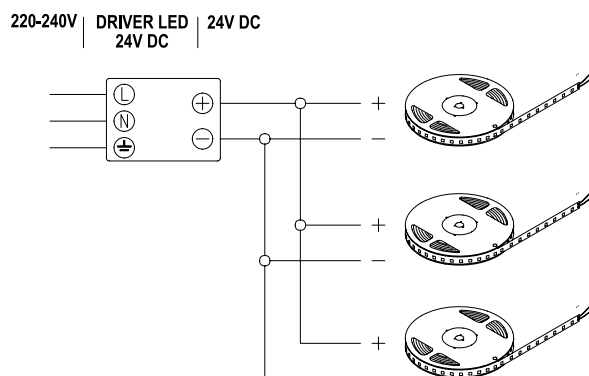
Type LED STRIP 1 24 V DC MAX 9.6 W/m (Art. LEDST001)

Select DRIVER power supply: LED type absorption x LED length + 15%

(minimum increase due to voltage drop) $9.6 \times 3 \times 1.15 = 33,15 \text{ W (MIN)}$

The power supply DRIVER to select: 24V DC 35W (Art. LED24035IP)

Full list of articles: LEDST001 1 Pc - LED24035IP 1 Pc



For LED STRIP applications which are longer than 5 m, it is recommended to use multiple power supplies to reduce the effects of natural voltage drops.

Applications with multiple branch circuits are possible with suitably sized DRIVERS.

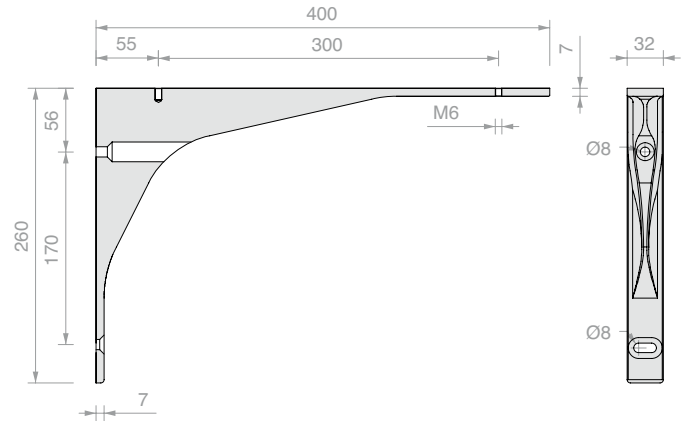
Where appropriate, it is recommended to apply silicone to properly protect the cables.

It is recommended to contact a qualified electrician to connect the LED STRIP to the mains.



QUANTUM 4000 SHELF SUPPORT

Material: AISI 304 stainless steel
Complete with: 2 discs Art. DISC009
2 suction cups Art. VENCIL20.
Finish: /8 /15

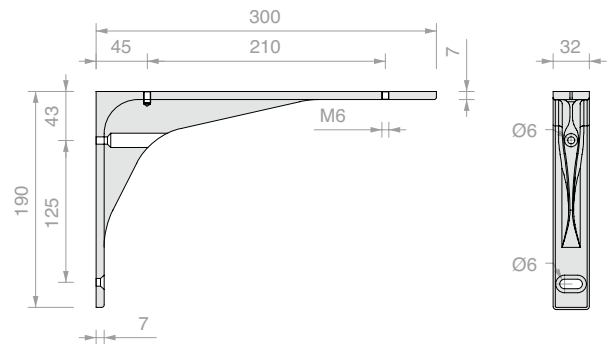


Art.	Max. depth	Max. load	Qty
NRM4000	500 mm	25 kg	1 Pc

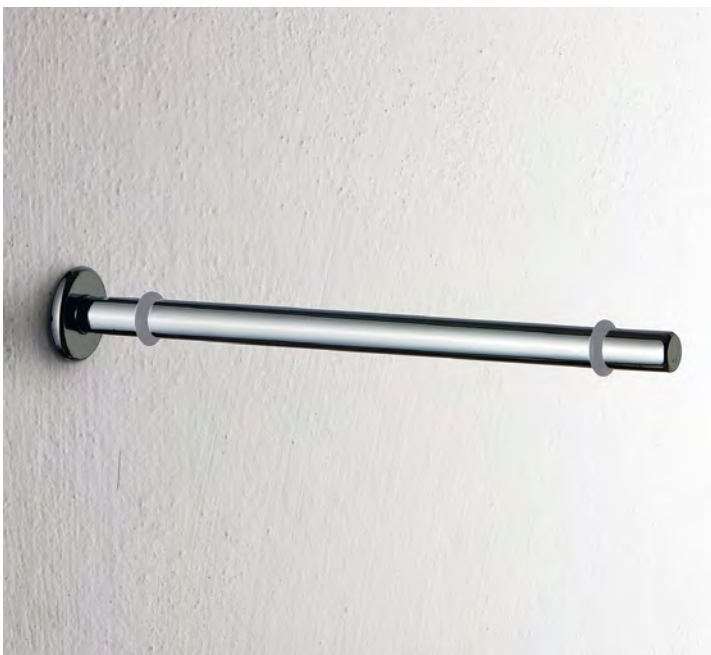


QUANTUM 3000 SHELF SUPPORT

Material: AISI 304 stainless steel
Complete with: 2 discs Art. DISC009
2 suction cups Art. VENCIL20.
Finish: /8 /15

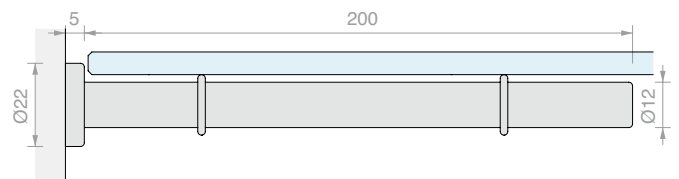


Art.	Max. depth	Max. load	Qty
NRM3000	400 mm	25 kg	1 Pc



BAR SHELF SUPPORT

Material: AVP
Finish: /1 /97

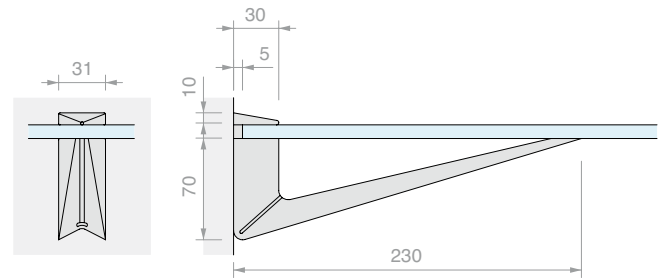


Art.	Max. depth	Max. load	Qty
REGASTA200	200 mm	18 kg	1 Pc

**SHELF SUPPORT 18300**

Material: Zamak

Finish: /1 /3

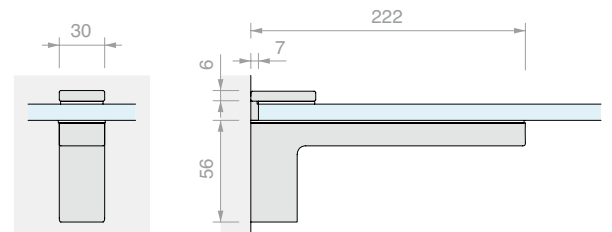


Art.	Max. depth	Max. load	For glass	Qty
NRM18300	300 mm	15 kg	From 6 to 40 mm	1 Pc

**SHELF SUPPORT 222**

Material: Zamak

Finish: /1 /3

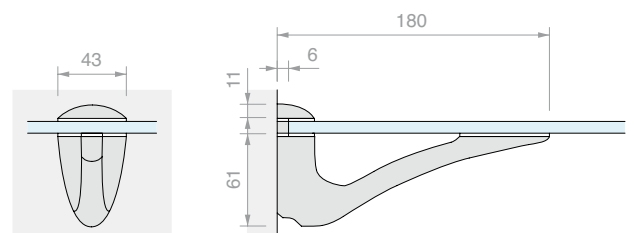


Art.	Max. depth	Max. load	For glass	Qty
NRM222	300 mm	15 kg	From 8 to 12 mm	1 Pc

**SHELF SUPPORT 3200**

Material: Zamak

Finish: /1 /92



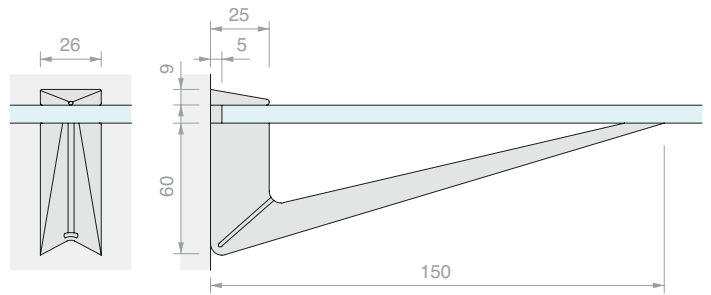
Art.	Max. depth	Max. load	For glass	Qty
NRM3200	280 mm	14 kg	From 6 to 38 mm	1 Pc



SHELF SUPPORT 18200

Material: Zamak

Finish: /1 /3



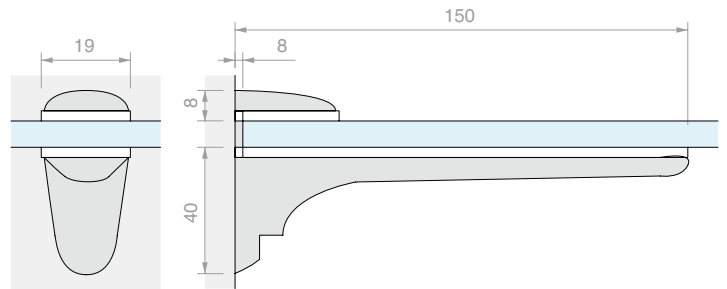
Art.	Max. depth	Max. load	For glass	Qty
NRM18200	200 mm	10 kg	From 6 to 26 mm	1 Pc



SHELF SUPPORT 1222

Material: Zamak

Finish: /1 /2 /3 /97



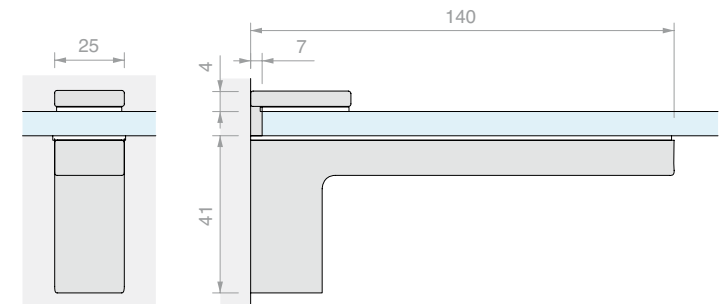
Art.	Max. depth	Max. load	For glass	Qty
NRM1222	160 mm	10 kg	From 6 to 20 mm	1 Pc



SHELF SUPPORT 104

Material: Zamak

Finish: /1 /3

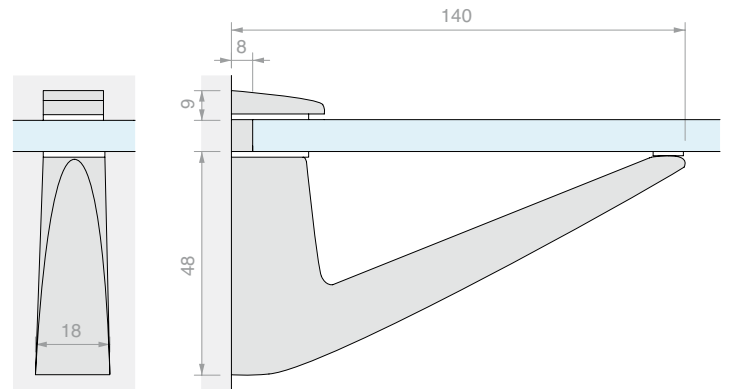


Art.	Max. depth	Max. load	For glass	Qty
NRM104	200 mm	11 kg	From 6 to 21 mm	1 Pc

**SHELF SUPPORT 1433**

Material: Zamak

Finish: /1 /3 /97

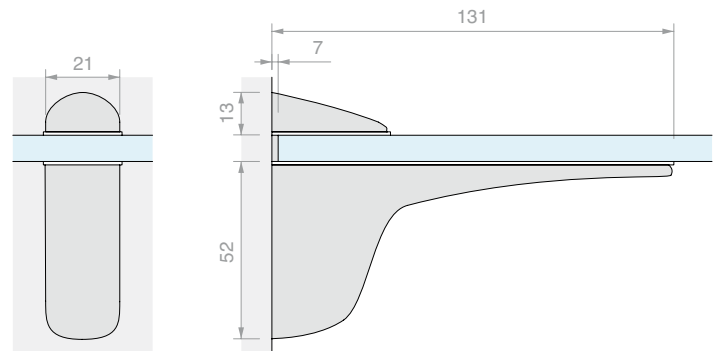


Art.	Max. depth	Max. load	For glass	Qty
NRM1433	160 mm	12 kg	From 6 to 18 mm	1 Pc

**SHELF SUPPORT 131**

Material: Zamak

Finish: /1 /97

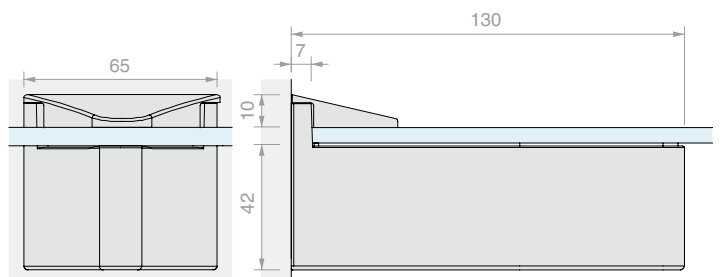


Art.	Max. depth	Max. load	For glass	Qty
NRM131	200 mm	8 kg	From 3 to 27 mm	1 Pc

**SHELF SUPPORT 740**

Material: Zamak

Finish: /1 /97



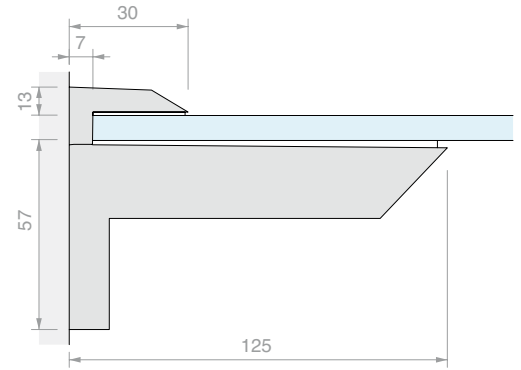
Art.	Max. depth	Max. load	For glass	Qty
NRM740	250 mm	18 kg	From 6 to 30 mm	1 Pc



SHELF SUPPORT 111

Material: Zamak

Finish: /1 /3



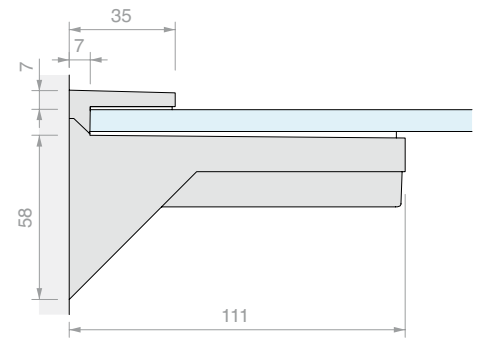
Art.	Max. depth	Max. load	For glass	Qty
NRMKA111	300 mm	25 kg	From 7 to 41 mm	1 Pc



SHELF SUPPORT 125

Material: Zamak

Finish: /1 /3



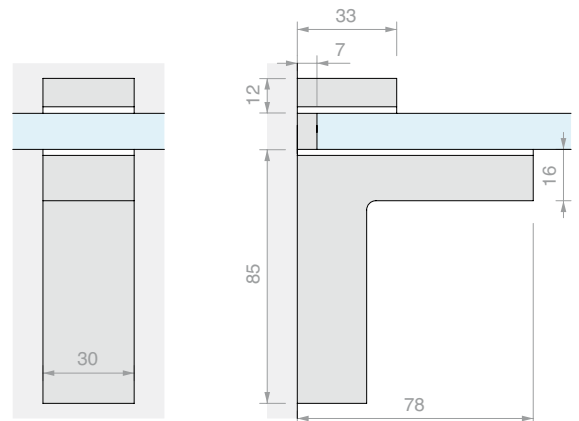
Art.	Max. depth	Max. load	For glass	Qty
NRMKA125	300 mm	25 kg	From 8 to 30 mm	1 Pc



SHELF SUPPORT 18600

Material: Zamak

Finish: /3 /6

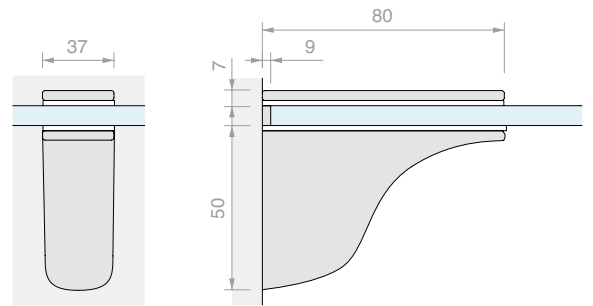


Art.	Max. depth	Max. load	For glass	Qty
NRM18600	200 mm	9 kg	From 5 to 25 mm	1 Pc

**SHELF SUPPORT 1550**

Material: Zamak

Finish: /1

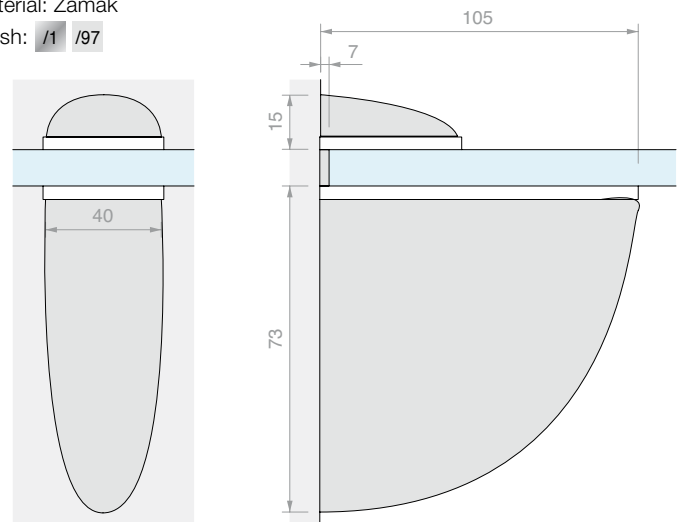


Art.	Max. depth	Max. load	For glass	Qty
NRM1550	200 mm	20 kg	From 8 to 21 mm	1 Pc

**SHELF SUPPORT 9100**

Material: Zamak

Finish: /1 /97

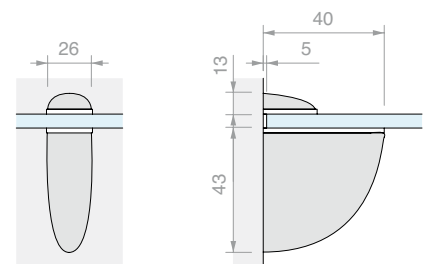


Art.	Max. depth	Max. load	For glass	Qty
NRM9100	300 mm	14 kg	From 2 to 32 mm	1 Pc

**SHELF SUPPORT 9035**

Material: Zamak

Finish: /1 /97



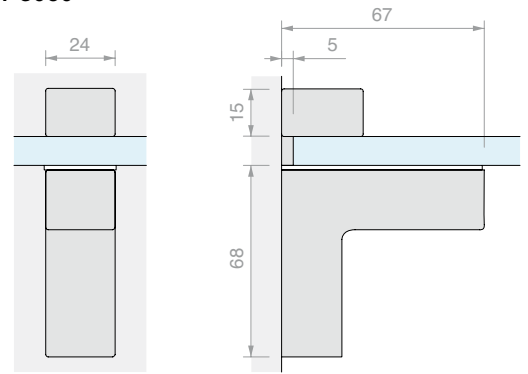
Art.	Max. depth	Max. load	For glass	Qty
NRM9035	200 mm	6 kg	From 2 to 17 mm	1 Pc



SHELF SUPPORT 3060

Material: Zamak

Finish: /1 /97



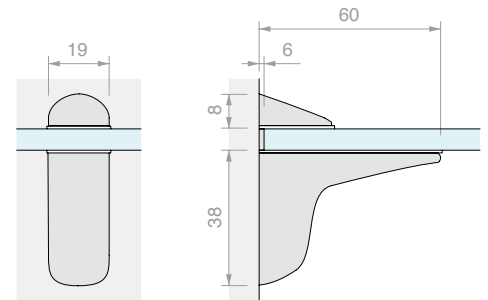
Art.	Max. depth	Max. load	For glass	Qty
NRM3060	280 mm	14 kg	From 4 to 16 mm	1 Pc



SHELF SUPPORT 60

Material: Zamak

Finish: /1 /97



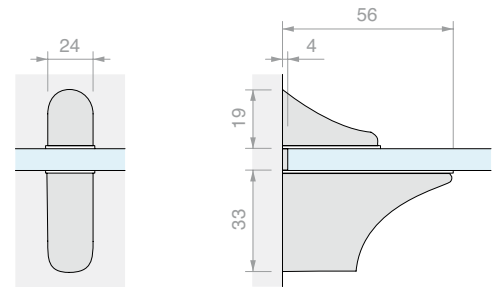
Art.	Max. depth	Max. load	For glass	Qty
NRM60	110 mm	2 kg	From 3 to 12 mm	1 Pc



SHELF SUPPORT 2002

Material: Zamak

Finish: /1 /3 /97



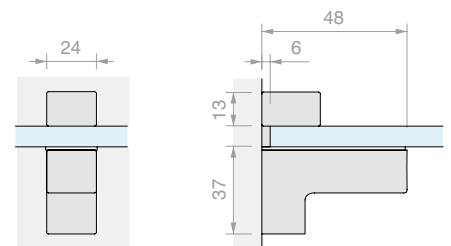
Art.	Max. depth	Max. load	For glass	Qty
NRM2002	350 mm	12 kg	From 4 to 14 mm	1 Pc



SHELF SUPPORT 3050

Material: Zamak

Finish: /97

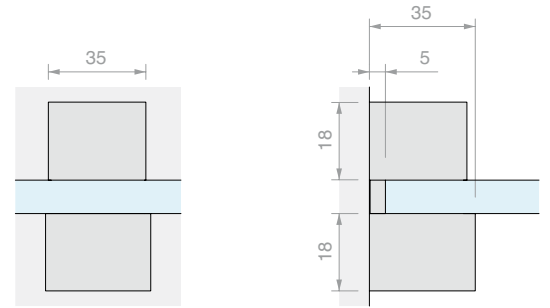


Art.	Max. depth	Max. load	For glass	Qty
NRM3050	180 mm	5 kg	From 4 to 16 mm	1 Pc

**SHELF SUPPORT 540**

Material: Zamak

Finish: /1 /97

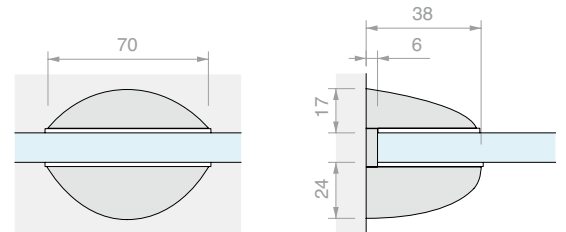


Art.	Max. depth	Max. load	For glass	Qty
NRM540	110 mm	3 kg	From 6 to 15 mm	1 Pc

**SHELF SUPPORT 1425**

Material: Zamak

Finish: /1 /2 /3

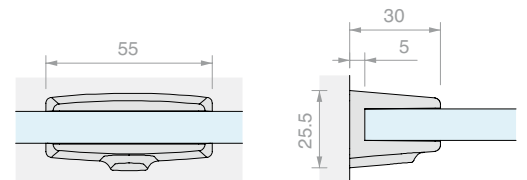


Art.	Max. depth	Max. load	For glass	Qty
NRM1425	110 mm	12 kg	From 5 to 16 mm	1 Pc

**SHELF SUPPORT 29**

Material: Zamak

Finish: /1 /97

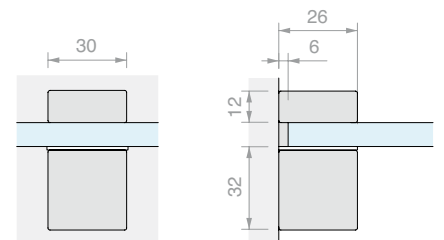


Art.	Max. depth	Max. load	For glass	Qty
NRM29	130 mm	12 kg	From 6 to 10 mm	1 Pc

**SHELF SUPPORT 3040**

Material: Zamak

Finish: /1 /97



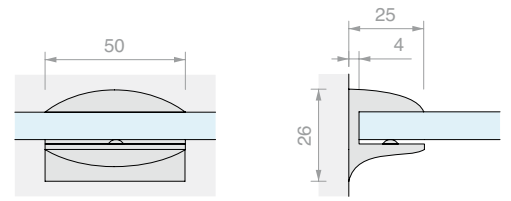
Art.	Max. depth	Max. load	For glass	Qty
NRM3040	160 mm	4 kg	From 4 to 16 mm	1 Pc



SHELF SUPPORT 9050

Material: Zamak

Finish: /1 /97



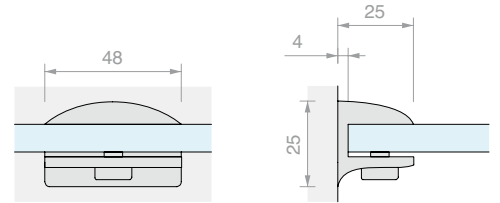
Art.	Max. depth	Max. load	For glass	Qty
NRM9050	150 mm	6 kg	From 6 to 10 mm	1 Pc



SHELF SUPPORT 24

Material: Zamak

Finish: /1 /3



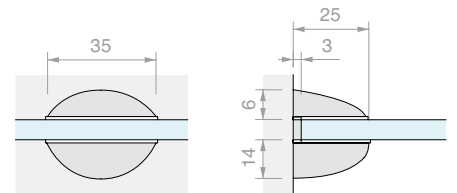
Art.	Max. depth	Max. load	For glass	Qty
NRM24	150 mm	6 kg	From 6 to 11 mm	1 Pc



SHELF SUPPORT 8010

Material: Zamak

Finish: /1 /3



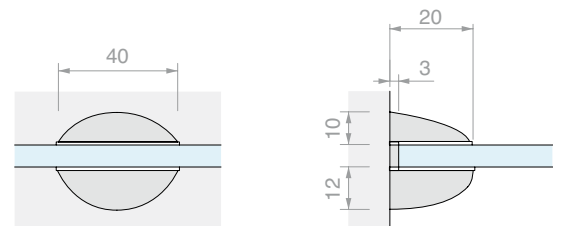
Art.	Max. depth	Max. load	For glass	Qty
NRM8010	100 mm	6 kg	From 5 to 10 mm	1 Pc



SHELF SUPPORT 1424

Material: Zamak

Finish: /1 /2 /3

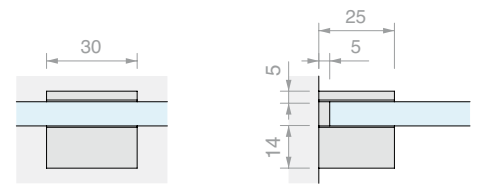


Art.	Max. depth	Max. load	For glass	Qty
NRM1424	100 mm	6 kg	From 5 to 10 mm	1 Pc

**SHELF SUPPORT 1840**

Material: Zamak

Finish: /1 /3

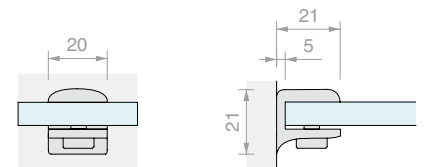


Art.	Max. depth	Max. load	For glass	Qty
NRM1840	120 mm	4 kg	From 6 to 8 mm	1 Pc

**SHELF SUPPORT 26**

Material: Zamak

Finish: /1 /3



Art.	Max. depth	Max. load	For glass	Qty
NRM26	120 mm	5 kg	From 6 to 11 mm	1 Pc

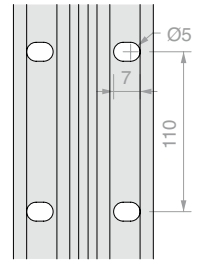
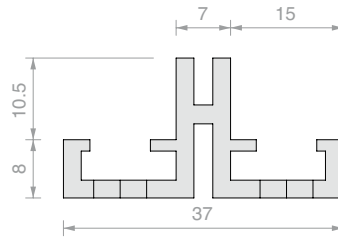




**CENTRAL RACK PROFILE**

Material: Aluminium

Finish: /97

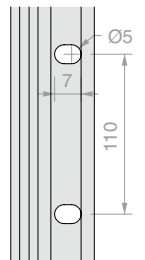
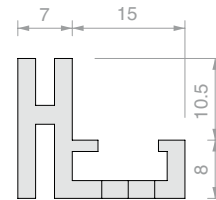


Art.	Length	Qty
CREPK11	2013 mm	1 Pc
CREPK13	3012 mm	1 Pc

**SIDE RACK PROFILE**

Material: Aluminium

Finish: /97

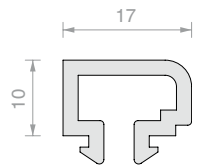


Art.	Length	Qty
CREPK71	2013 mm	1 Pc
CREPK73	3012 mm	1 Pc

**COVER PROFILE**

Material: Aluminium

Finish: /97

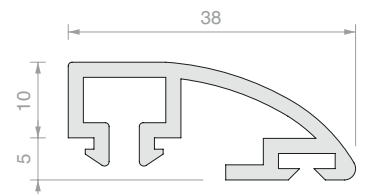


Art.	Length	Qty
CRECPK1	2013 mm	1 Pc
CRECPK3	3012 mm	1 Pc

**LONG COVER PROFILE**

Material: Aluminium

Finish: /97



Art.	Length	Qty
CRECLK1	2013 mm	1 Pc
CRECLK3	3012 mm	1 Pc

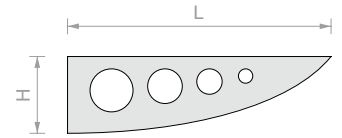


DRILLED SHELF SUPPORT FOR SLOT PROFILES

Material: AVP and aluminium

Shelf complete with notches to insert SV bracket.

Finish: /1 /97



Art.	H	L	Load	Qty
CREMDMA1	58 mm	180 mm	90 kg per pair	1 Pc
CREMDMA2	66 mm	280 mm	80 kg per pair	1 Pc
CREMDMA3	105 mm	380 mm	70 kg per pair	1 Pc



BRACKET FOR CREMDMA SHELF SUPPORT

Material: AVP

AVP bracket equipped with Ø5 mm hole to insert a glass-gripping suction cup.

Finish: /1, Transparent polycarbonate

Art.	Type	Dimensions	Qty
CRESVDX1	Single right	H 10 x L 32 x P 12 mm	1 Pc



BRACKET FOR CREMDMA SHELF SUPPORT

Material: AVP

AVP bracket equipped with Ø5 mm hole to insert a glass-gripping suction cup.

Finish: /1, Transparent polycarbonate

Art.	Type	Dimensions	Qty
CRESVCE2	Double central	H 10 x L 53 x P 12 mm	1 Pc



BRACKET FOR CREMDMA SHELF SUPPORT

Material: AVP

AVP bracket equipped with Ø5 mm hole to insert a glass-gripping suction cup.

Finish: /1, Transparent polycarbonate

Art.	Type	Dimensions	Qty
CRESVSX3	Single left	H 10 x L 32 x P 12 mm	1 Pc

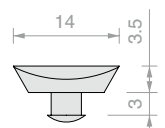


SUCTION CUP FOR CRESV BRACKETS

Material: PVC

Suction cups to apply to the designated brackets.

Colour: transparent



Art.	Qty
CREVEN1	1 Pc

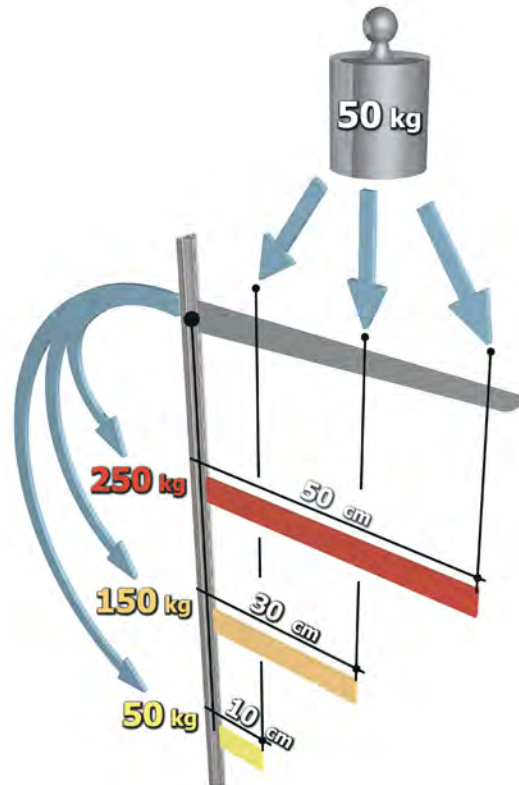


RACK SYSTEMS AND SELF-SUPPORTING SYSTEMS

Load capacity of the profiles

For equal loads, the force increases with increasing distance of the load from the rack.

The profiles that follow have a load capacity as highlighted by the red line in the drawing.

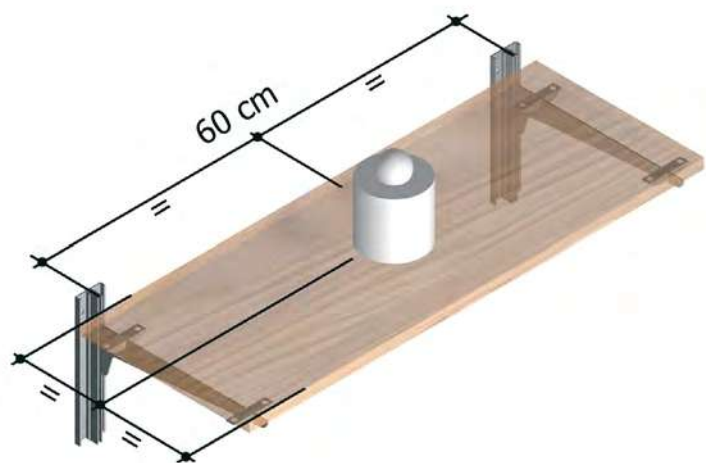
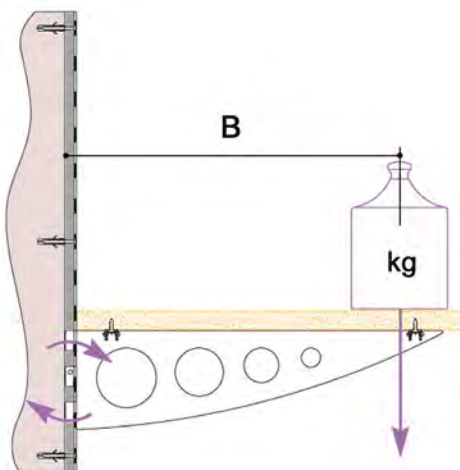


Applying loads to shelves mounted on racks is equivalent to subjecting the racks to a strain, resulting in an attempt to deform them by unhinging them from the wall, as shown in the figure below. It is well known that the test lever created in this way increases the force both with increasing loads and as the distance of the load from the fulcrum (the length of the lever arm) increases. The rack profile resists potential failure due to its strength and connection to the wall using the appropriate anchors.

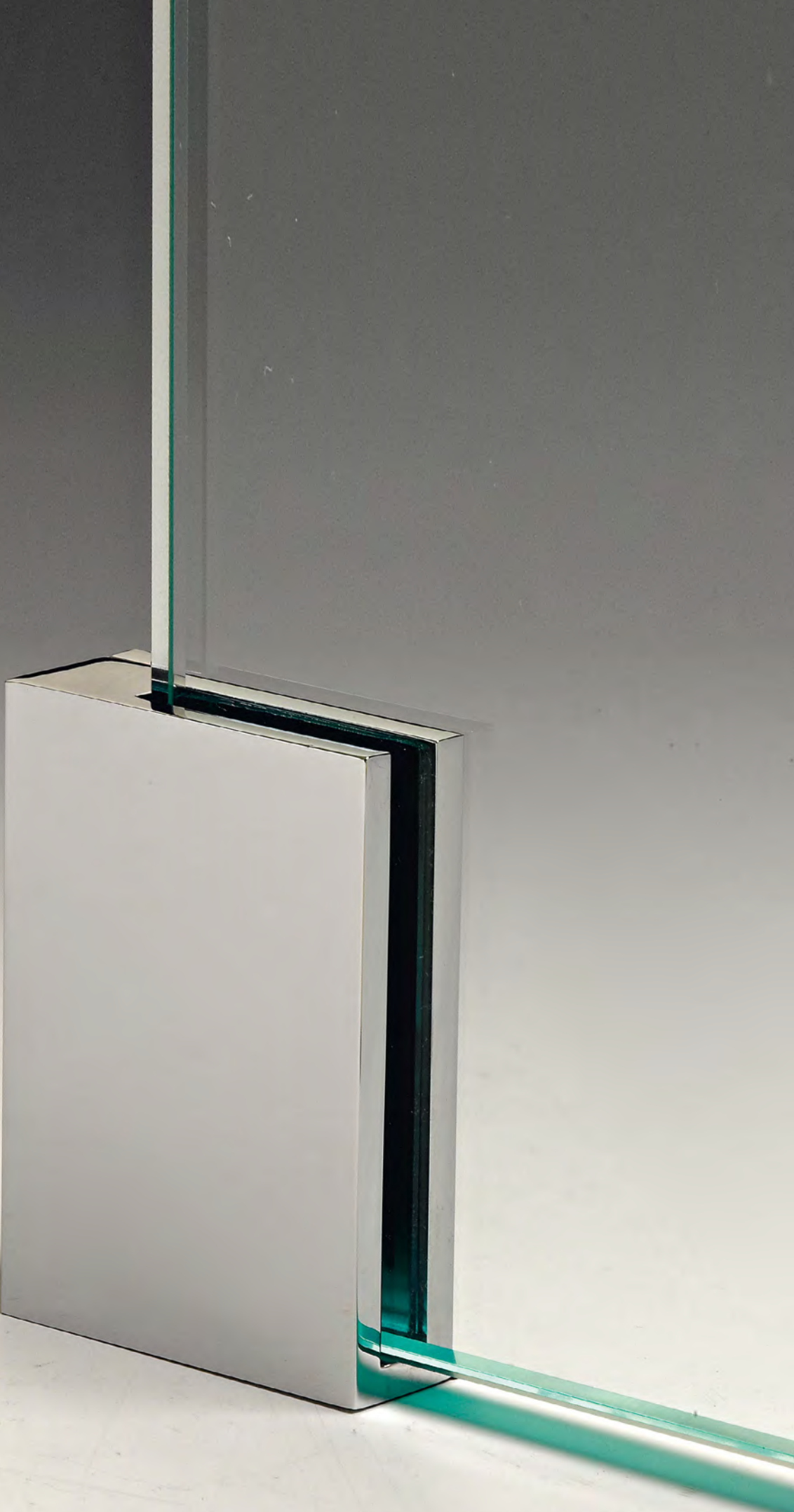
As a result, it follows that racks that are slender and have shallow anchoring holes will clearly have a lower resistance to failure and any deformation than racks used for more demanding applications.

Note that by way of illustration, applying a point load of 20 kg at a distance $B = 300$ mm from the rack is equivalent to subjecting it to a deformation torque at the fulcrum equal to what would be obtained by loading twice the weight on the bracket at half the distance, i.e., 40 kg at 150 mm, or three times the weight at one-third the distance (60 kg at 100 mm), or 120 kg at 50 mm, etc.

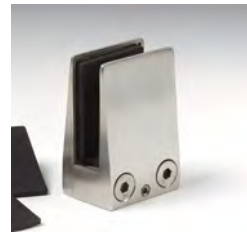
However, the importance of designing and sizing the structures is evident, with a careful evaluation of the loads to be supported and the lengths of the supports over which the loads are distributed.



CLAMPS



STEEL CLAMPS



RECTANGULAR CLAMPS
Page 141

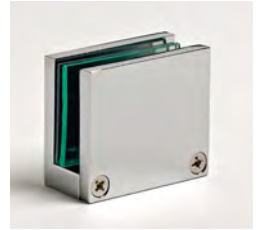


ROUND CLAMPS
Page 142

BRASS CLAMPS



TRAPEZOIDAL CLAMPS
Page 143



RECTANGULAR CLAMPS
Page 145



ROUND CLAMPS
Page 157

ZAMAK CLAMPS



ROUND CLAMPS
Page 161

PROTECTION KIT



PROTECTION KIT
Page 163

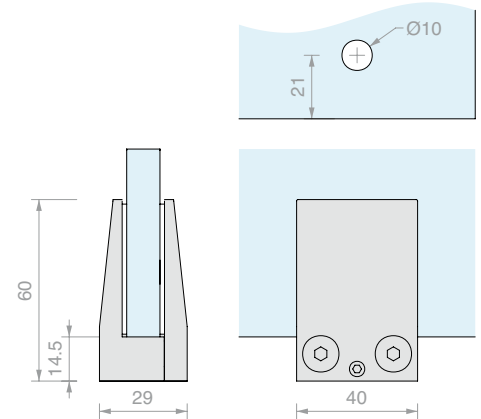


**TRAPEZOIDAL CLAMP**

Material: AISI 304 stainless steel

Optional safety hole in the glass $\varnothing 10$ mm

Finish: /8 /15



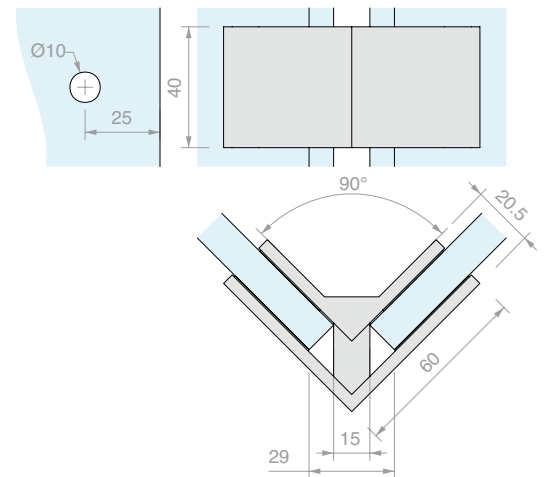
Art.	For glass	Qty
MA401	From 10 to 13.5 mm	1 Pc

**CORNER CLAMP**

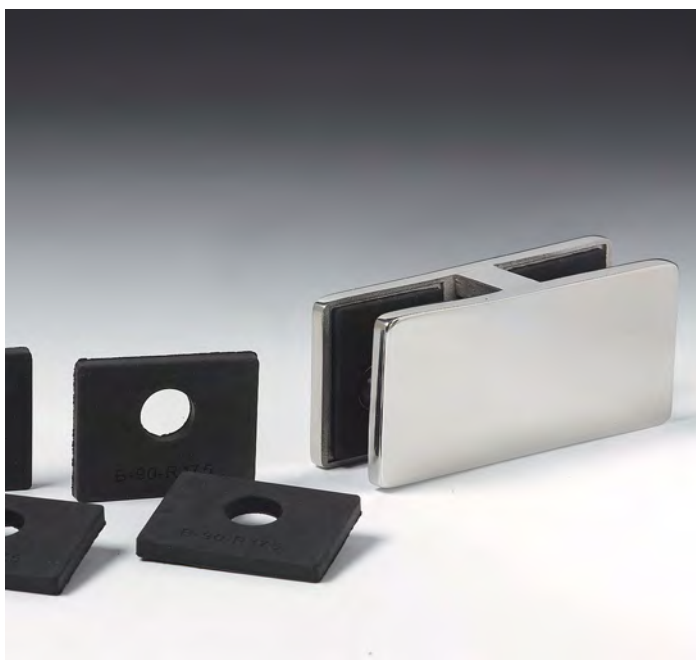
Material: AISI 304 stainless steel

Optional safety hole in the glass $\varnothing 10$ mm

Finish: /8 /15



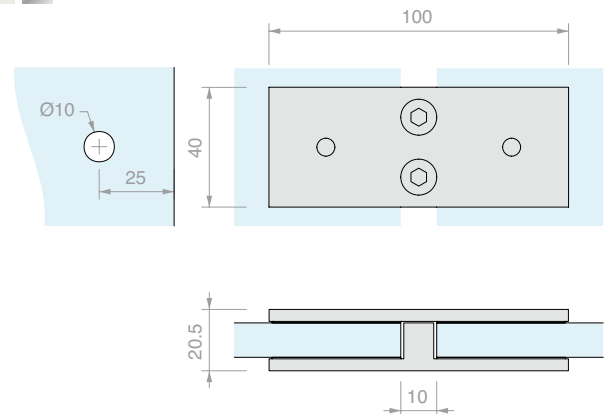
Art.	For glass	Qty
MBLOK90L	From 8 to 12 mm	1 Pc

**STRAIGHT CLAMP**

Material: AISI 304 stainless steel

Optional safety hole in the glass $\varnothing 10$ mm

Finish: /8 /15



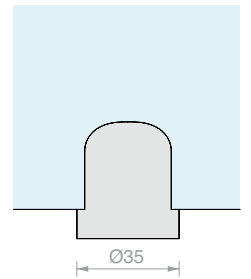
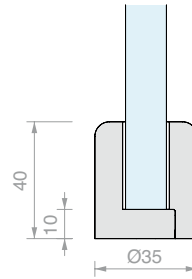
Art.	For glass	Qty
MBLOK180L	From 8 to 12 mm	1 Pc



ROUND CLAMP MA1540

Material: AISI 304 stainless steel

Finish: /8 /15



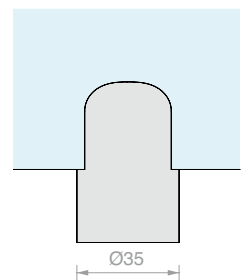
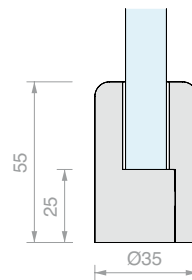
Art.	For glass	Qty
MA1540	15 mm	1 Pc



ROUND CLAMP MA1555

Material: AISI 304 stainless steel

Finish: /8 /15



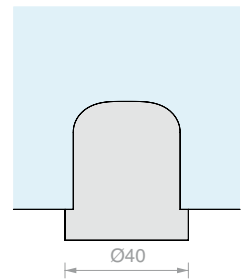
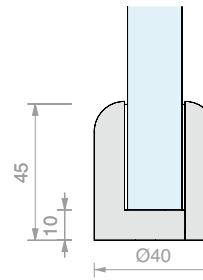
Art.	For glass	Qty
MA1555	15 mm	1 Pc



ROUND CLAMP MA1945

Material: AISI 304 stainless steel

Finish: /8 /15



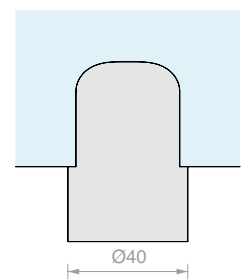
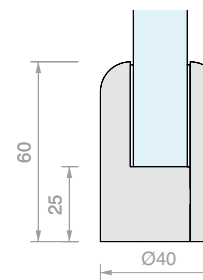
Art.	For glass	Qty
MA1945	19 mm	1 Pc



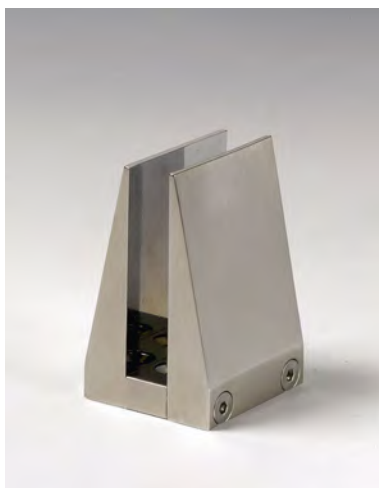
ROUND CLAMP MA1960

Material: AISI 304 stainless steel

Finish: /8 /15

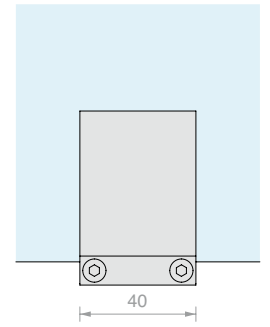
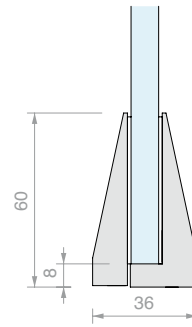


Art.	For glass	Qty
MA1960	19 mm	1 Pc

**TRAPEZOIDAL CLAMP MA12**

Material: brass

Finish: /1 /3



Art.

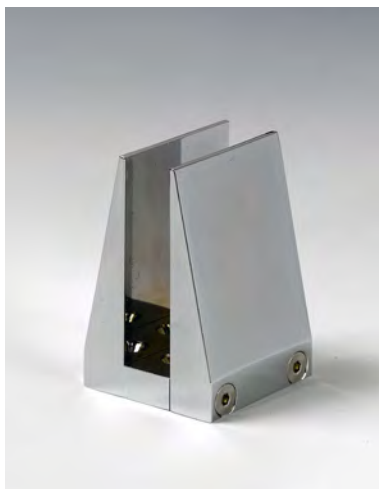
For glass

Qty

MA12

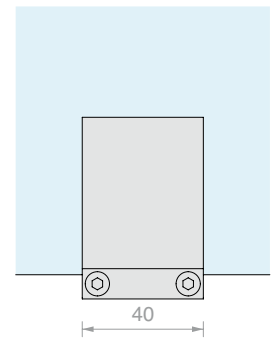
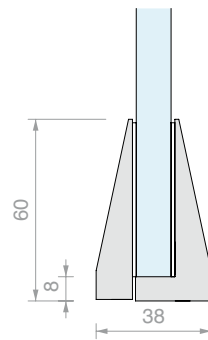
From 8 to 10 mm

1 Pc

**TRAPEZOIDAL CLAMP MA14**

Material: brass

Finish: /1 /3



Art.

For glass

Qty

MA14

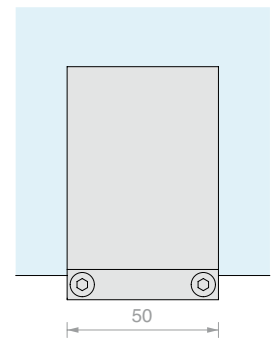
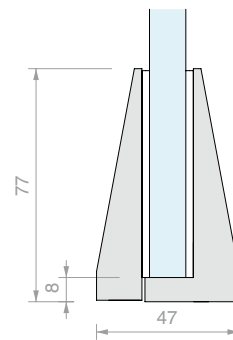
From 10 to 12 mm

1 Pc

**TRAPEZOIDAL CLAMP MA17**

Material: brass

Finish: /1 /3



Art.

For glass

Qty

MA17

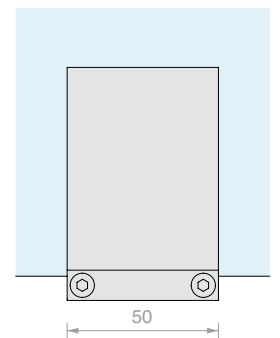
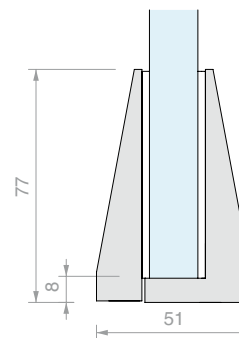
From 13.5 to 15 mm

1 Pc

**TRAPEZOIDAL CLAMP MA21**

Material: brass

Finish: /1 /3



Art.

For glass

Qty

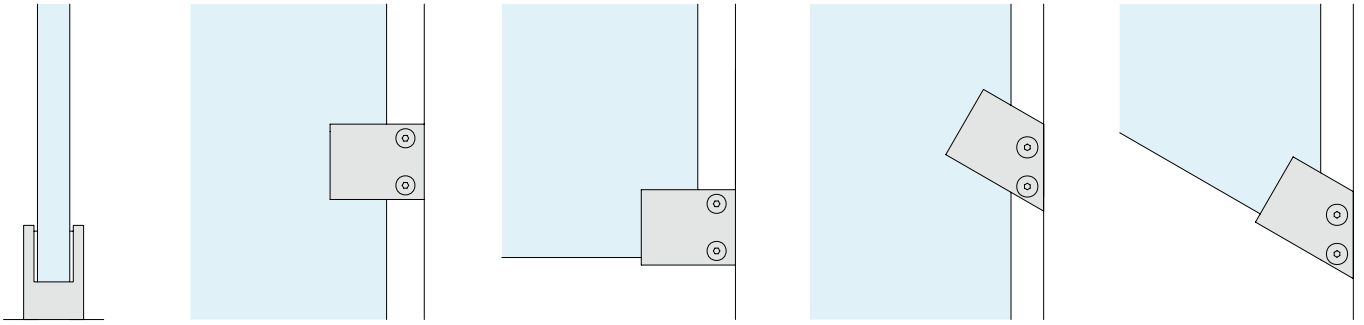
MA21

From 17.5 to 19 mm

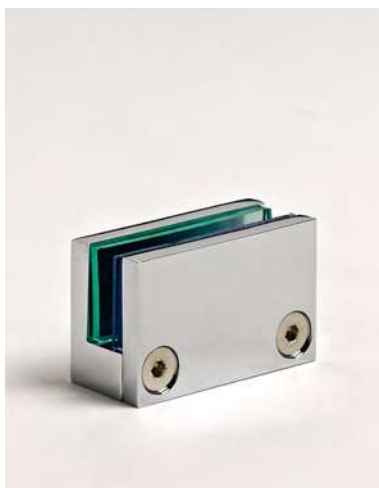
1 Pc



SUMMARY OF INSTALLATION OPTIONS

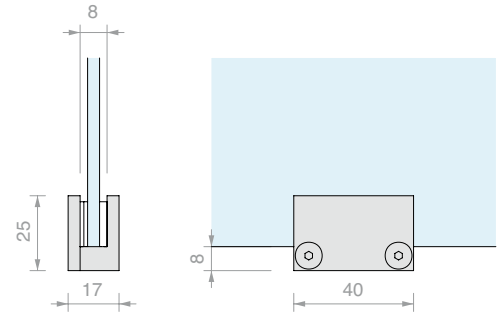


 21.5	MRET007 Pag.151			
 19	MRET006 Pag.150	MREC006SX MREC006DX Pag.151		
 17.5	MRET006 Pag.150	MREC006SX MREC006DX Pag.151		
 15	MRET005 Pag.150	MREC005SX MREC005DX Pag.150		
 13.5	MRET005 Pag.150	MREC005SX MREC005DX Pag.150		
 12	MRET004 Pag.146	MREC004SX MREC004DX Pag.147	MRET010SX MRET010DX Pag.148	MRET011SX MRET011DX MRET009SX MRET009DX Pag.149
 10	MRET004 MRET003 MRET0027 Pag.145.-146	MREC004SX MREC004DX MREC003SX MREC003DX Pag.146.-147		
 8	MRET003 MRET0023 Pag.145	MREC003SX MREC003DX Pag.146		
 6	MRET002 MRET001 Pag.145			
 4	MRET001 Pag.145			

**RECTANGULAR CLAMP MRET001**

Material: brass

Finish: /1 /2 /3

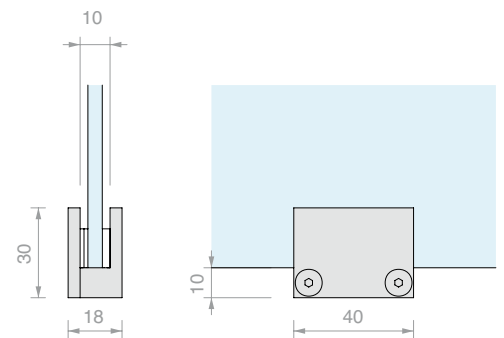


Art.	Gaskets	For glass	Qty
MRET001	1 x 2 mm and 2 x 1 mm	From 4 to 6 mm	1 Pc

**RECTANGULAR CLAMP MRET002**

Material: brass

Finish: /1 /2 /3

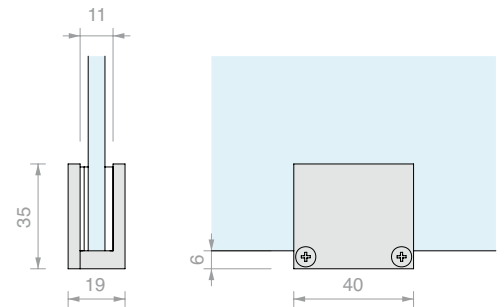


Art.	Gaskets	For glass	Qty
MRET002	1 x 2 mm and 2 x 1 mm	From 6 to 8 mm	1 Pc

**RECTANGULAR CLAMP MRET003**

Material: brass

Finish: /1 /2 /3

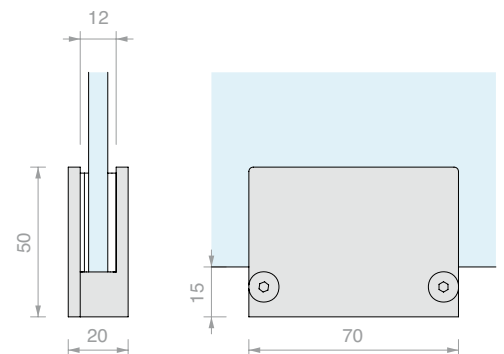


Art.	Gaskets	For glass	Qty
MRET003	1 x 2 mm and 2 x 1 mm	From 7 to 9 mm	1 Pc

**RECTANGULAR CLAMP MRET003**

Material: brass

Finish: /1 /2 /3

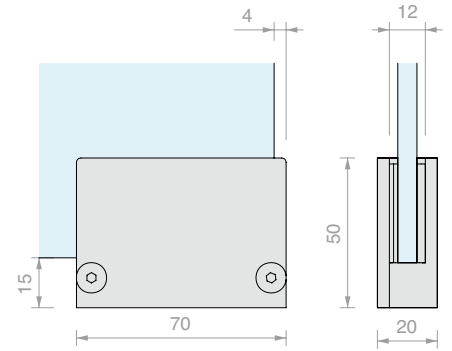


Art.	Gaskets	For glass	Qty
MRET003	1 x 2 mm and 2 x 1 mm	From 8 to 10 mm	1 Pc



RECTANGULAR CLAMP MREC003SX
CLOSED LEFT

Material: brass
Finish: /1 /2 /3

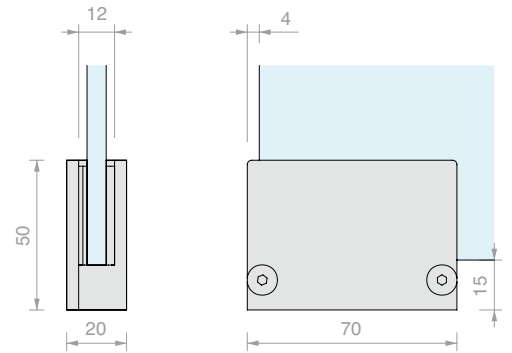


Art.	Gaskets	For glass	Qty
MREC003SX	1 x 2 mm and 2 x 1 mm	From 8 to 10 mm	1 Pc



RECTANGULAR CLAMP MREC003DX
CLOSED RIGHT

Material: brass
Finish: /1 /2 /3

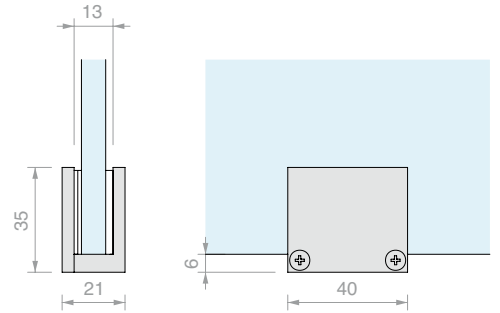


Art.	Gaskets	For glass	Qty
MREC003DX	1 x 2 mm and 2 x 1 mm	From 8 to 10 mm	1 Pc



RECTANGULAR CLAMP MRET0027

Material: brass
Finish: /1 /2 /3

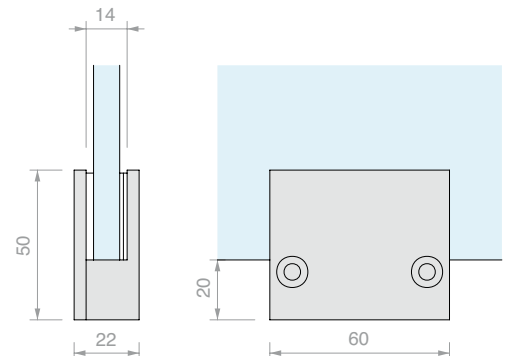


Art.	Gaskets	For glass	Qty
MRET0027	1 x 2 mm and 2 x 1 mm	From 9 to 11 mm	1 Pc



RECTANGULAR CLAMP MRET004

Material: brass
Finish: /1 /2 /3

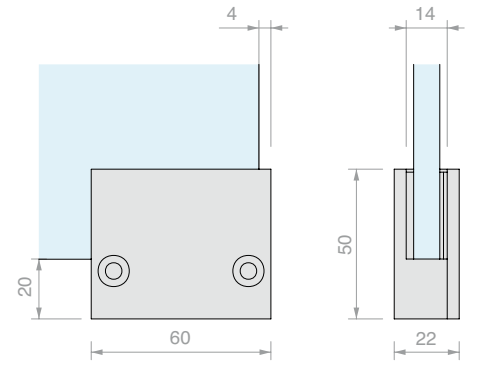


Art.	Gaskets	For glass	Qty
MRET004	1 x 2 mm and 2 x 1 mm	From 10 to 12 mm	1 Pc



**RECTANGULAR CLAMP MREC004SX
CLOSED LEFT**

Material: brass
Finish: /1 /2 /3

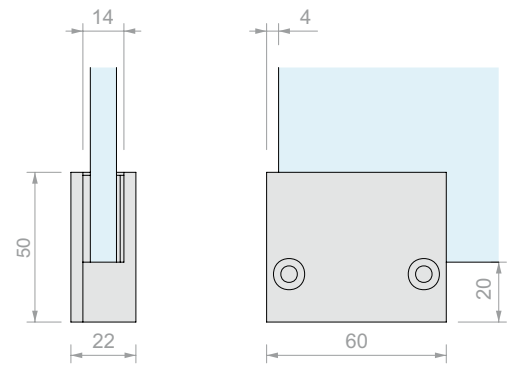


Art.	Gaskets	For glass	Qty
MREC004SX	1 x 2 mm and 2 x 1 mm	From 10 to 12 mm	1 Pc

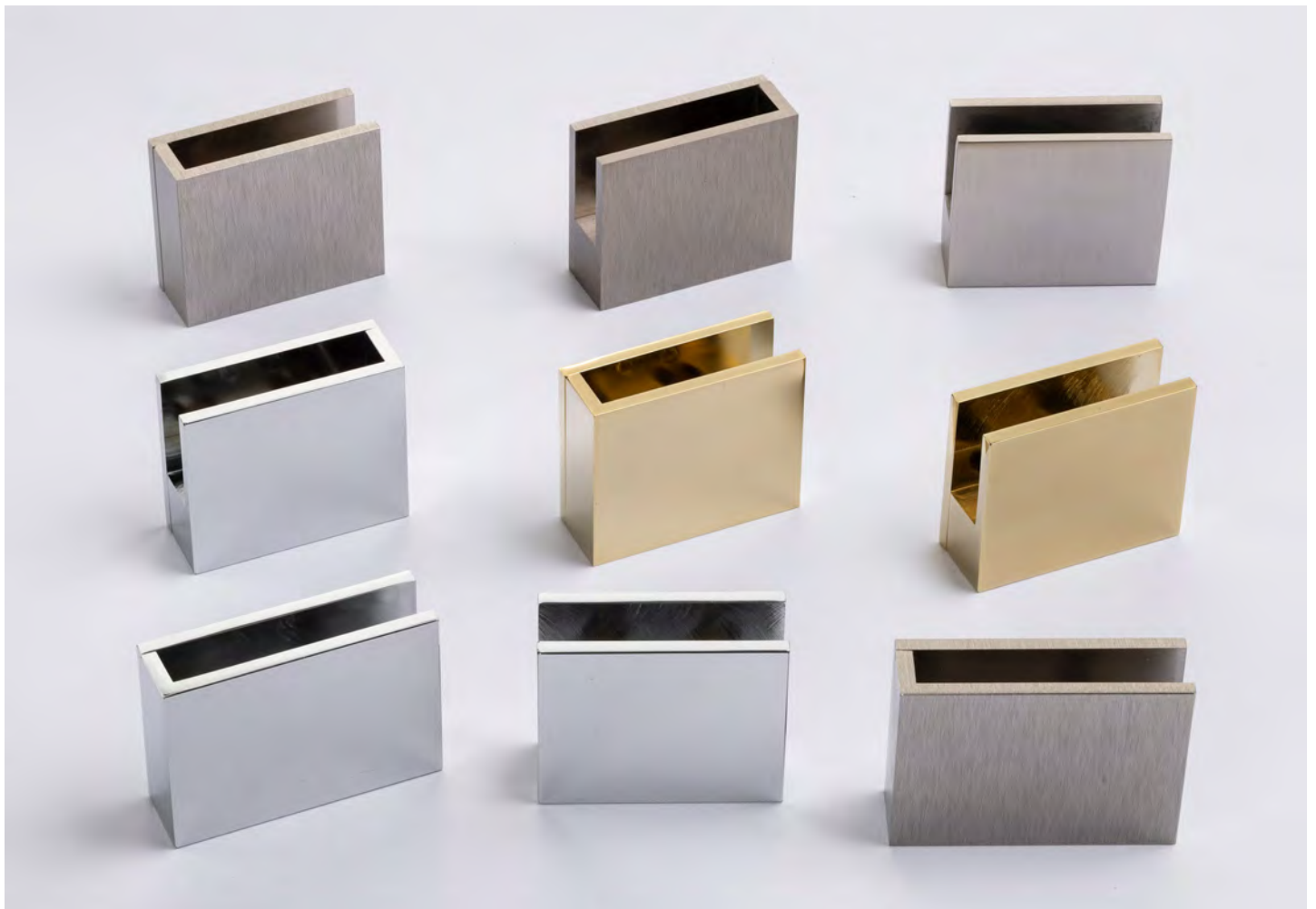


**RECTANGULAR CLAMP MREC004DX
CLOSED RIGHT**

Material: brass
Finish: /1 /2 /3

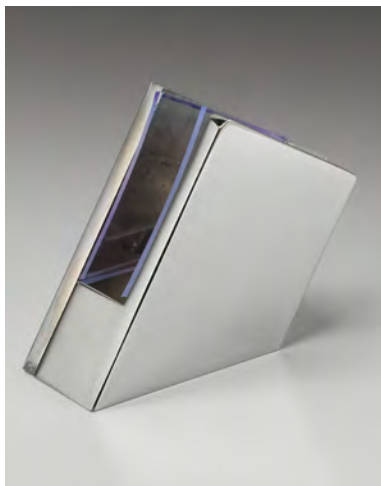
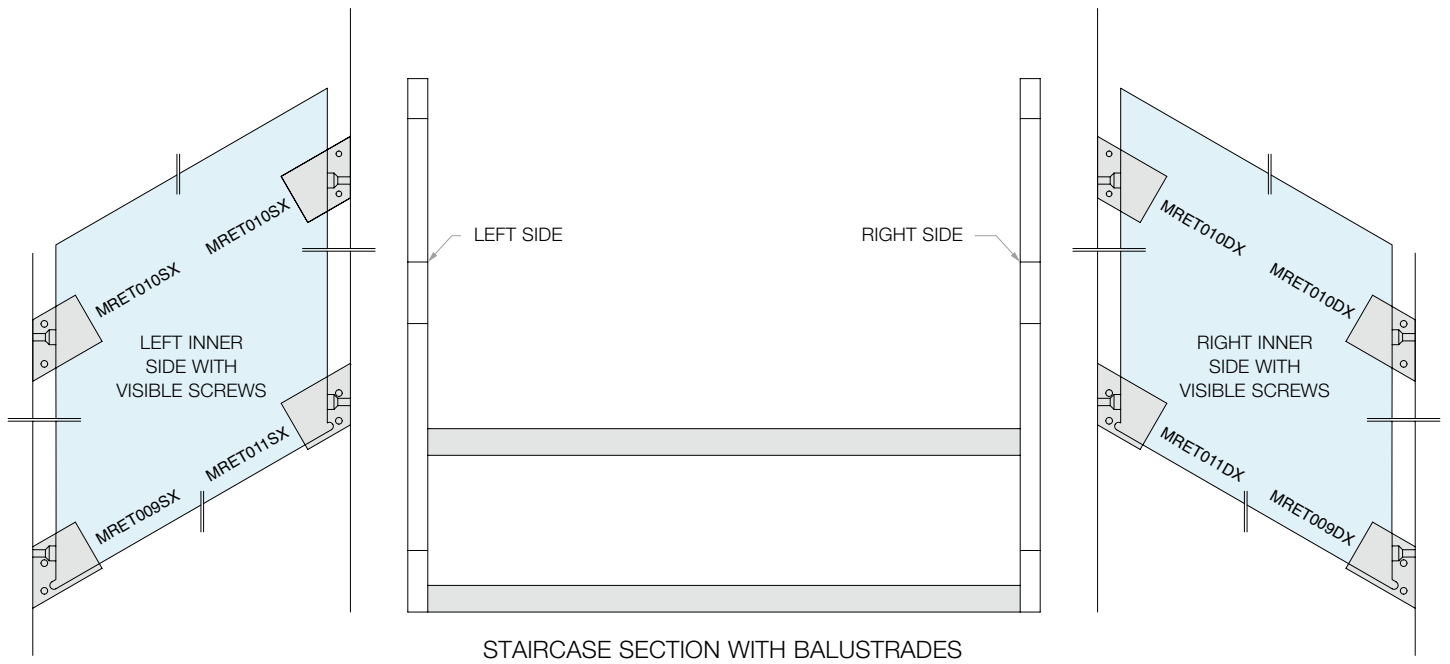


Art.	Gaskets	For glass	Qty
MREC004DX	1 x 2 mm and 2 x 1 mm	From 10 to 12 mm	1 Pc





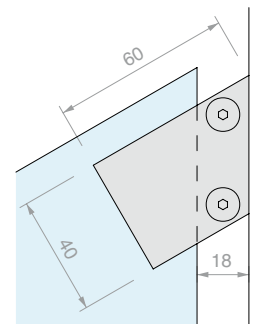
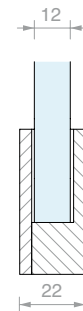
REFERENCE LAYOUT



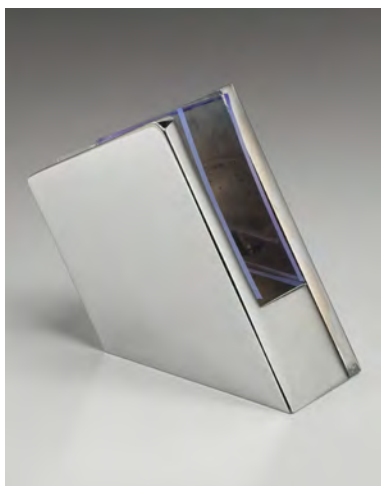
**30° RECTANGULAR CLAMP MRET010SX
OPEN LEFT**

Material: brass

Finish: /1 /2 /3



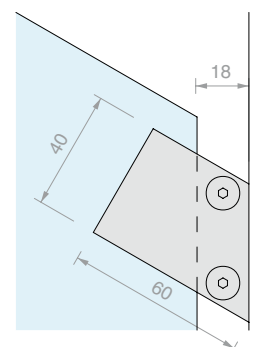
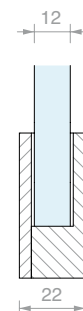
Art.	Gaskets	For glass	Qty
MRET010SX	2 x 1 mm	12 mm	1 Pc



**30° RECTANGULAR CLAMP MRET010DX
OPEN RIGHT**

Material: brass

Finish: /1 /2 /3



Art.	Gaskets	For glass	Qty
MRET010DX	2 x 1 mm	12 mm	1 Pc

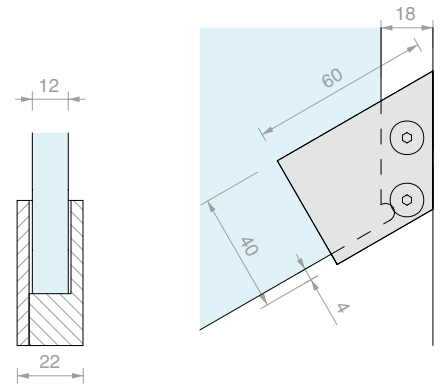


30° RECTANGULAR CLAMP MRET011SX

CLOSED LEFT

Material: brass

Finish: /1 /2 /3



Art.	Gaskets	For glass	Qty
MRET011SX	2 x 1 mm	12 mm	1 Pc

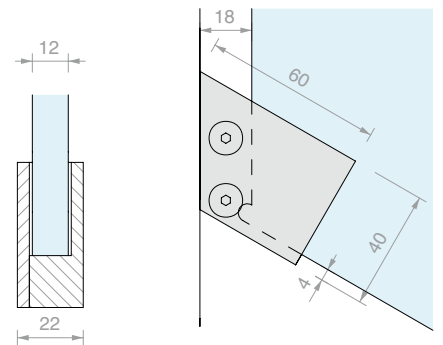


30° RECTANGULAR CLAMP MRET011DX

CLOSED RIGHT

Material: brass

Finish: /1 /2 /3



Art.	Gaskets	For glass	Qty
MRET011DX	2 x 1 mm	12 mm	1 Pc

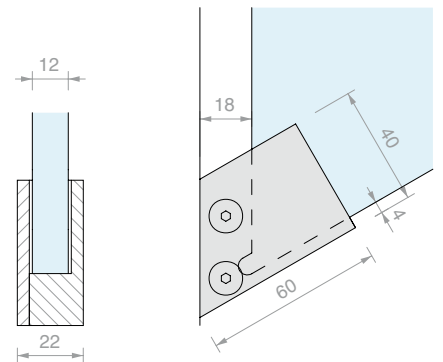


30° RECTANGULAR CLAMP MRET009SX

CLOSED LEFT

Material: brass

Finish: /1 /2 /3



Art.	Gaskets	For glass	Qty
MRET009SX	2 x 1 mm	12 mm	1 Pc

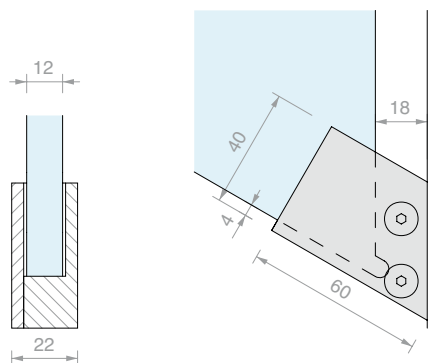


30° RECTANGULAR CLAMP MRET009DX

CLOSED RIGHT

Material: brass

Finish: /1 /2 /3



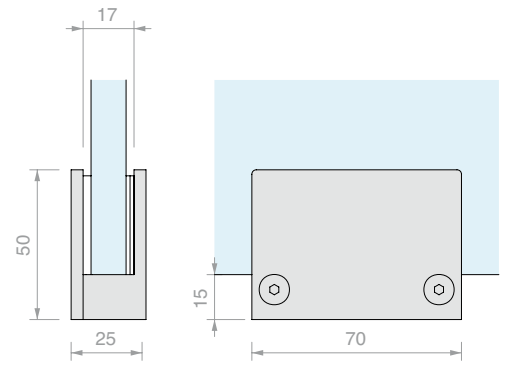
Art.	Gaskets	For glass	Qty
MRET009DX	2 x 1 mm	12 mm	1 Pc



RECTANGULAR CLAMP MRET005

Material: brass

Finish: /1 /2 /3



Art.	Gaskets	For glass	Qty
MRET005	1 x 2 mm and 2 x 1 mm	From 13 to 15 mm	1 Pc

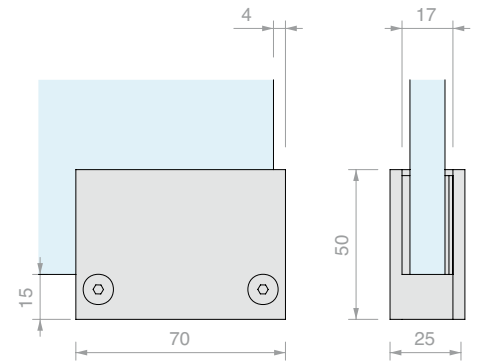


RECTANGULAR CLAMP MREC005SX

CLOSED LEFT

Material: brass

Finish: /1 /2 /3



Art.	Gaskets	For glass	Qty
MREC005SX	1 x 2 mm and 2 x 1 mm	From 13 to 15 mm	1 Pc

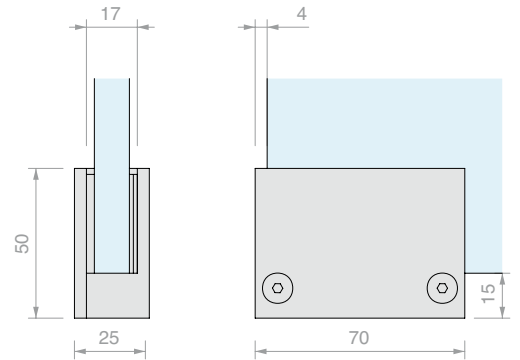


RECTANGULAR CLAMP MREC005DX

CLOSED RIGHT

Material: brass

Finish: /1 /2 /3



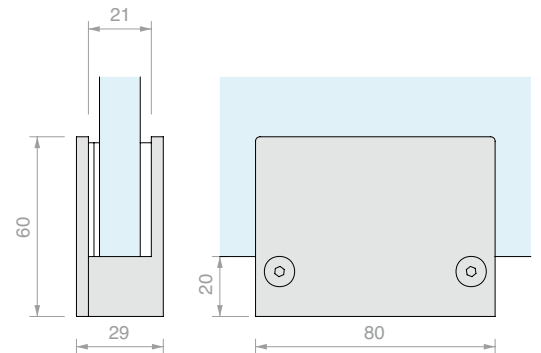
Art.	Gaskets	For glass	Qty
MREC005DX	1 x 2 mm and 2 x 1 mm	From 13 to 15 mm	1 Pc



RECTANGULAR CLAMP MRET006

Material: brass

Finish: /1 /2 /3

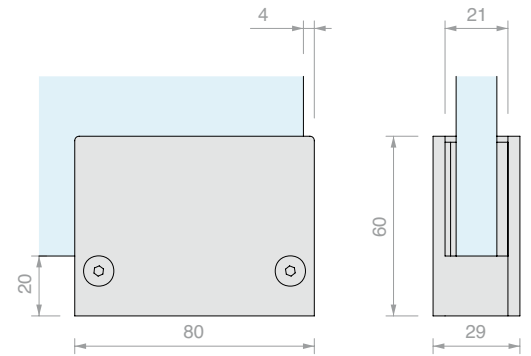


Art.	Gaskets	For glass	Qty
MRET006	1 x 2 mm and 2 x 1 mm	From 17 to 19 mm	1 Pc

**RECTANGULAR CLAMP MREC006SX****CLOSED LEFT**

Material: brass

Finish: /1 /2 /3

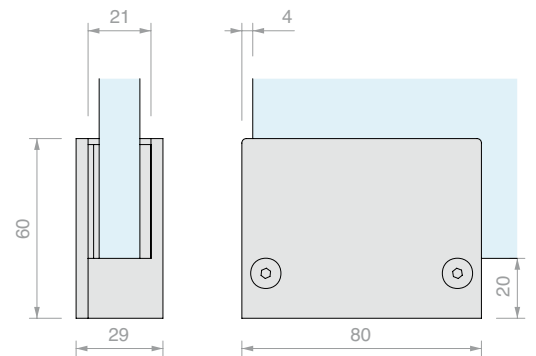


Art.	Gaskets	For glass	Qty
MREC006SX	1 x 2 mm and 2 x 1 mm	From 17 to 19 mm	1 Pc

**RECTANGULAR CLAMP MREC006DX****CLOSED RIGHT**

Material: brass

Finish: /1 /2 /3

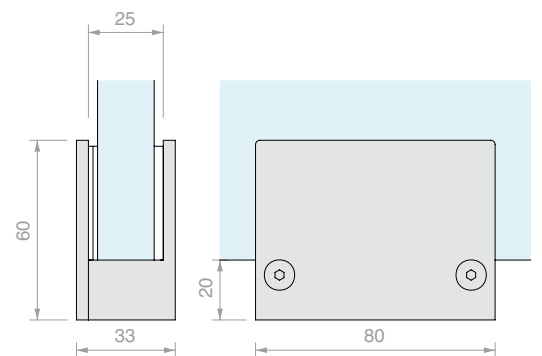


Art.	Gaskets	For glass	Qty
MREC006DX	1 x 2 mm and 2 x 1 mm	From 17 to 19 mm	1 Pc

**RECTANGULAR CLAMP MRET007**

Material: brass

Finish: /1 /2 /3



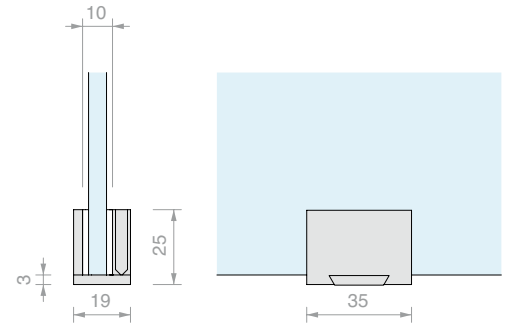
Art.	Gaskets	For glass	Qty
MRET007	1 x 2 mm and 2 x 1 mm	From 21 to 23 mm	1 Pc



**RECTANGULAR CLAMP MFV68**

Material: brass

Finish: /1 /3



Art.

MFV68

For glass

From 6 to 8 mm

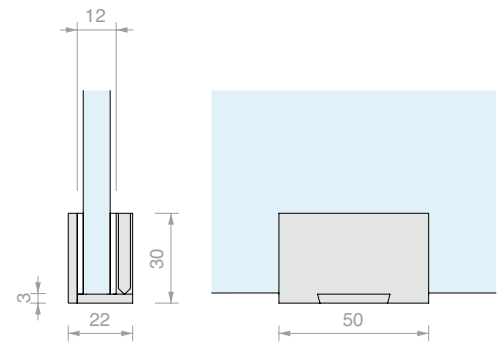
Qty

1 Pc

**RECTANGULAR CLAMP MFV810**

Material: brass

Finish: /1 /3



Art.

MFV810

For glass

From 8 to 10 mm

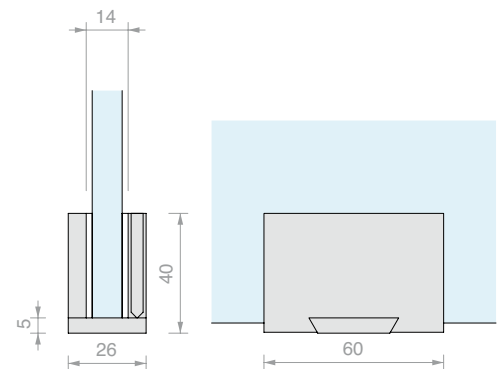
Qty

1 Pc

**RECTANGULAR CLAMP MFV1012**

Material: brass

Finish: /1 /3



Art.

MFV1012

For glass

From 10 to 12 mm

Qty

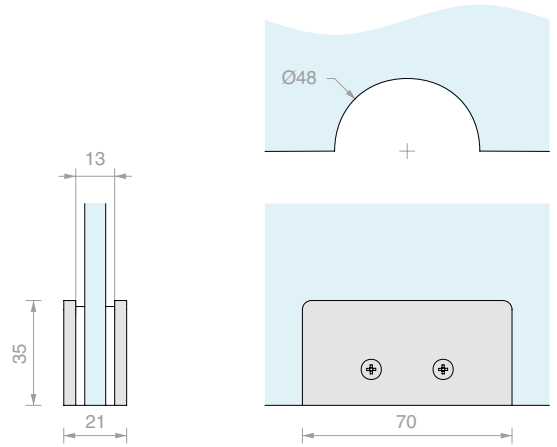
1 Pc



RECTANGULAR CLAMP FA7035

Material: brass

Finish: /1 /24



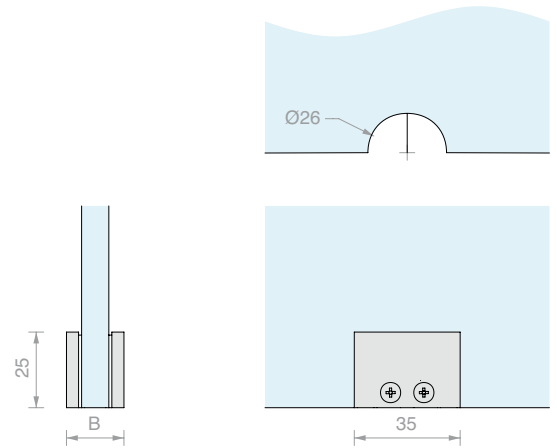
Art.	For glass	Qty
FA7035	From 8 to 12 mm	1 Pc



RECTANGULAR CLAMP MA

Material: brass

Finish: /1 /2 /24



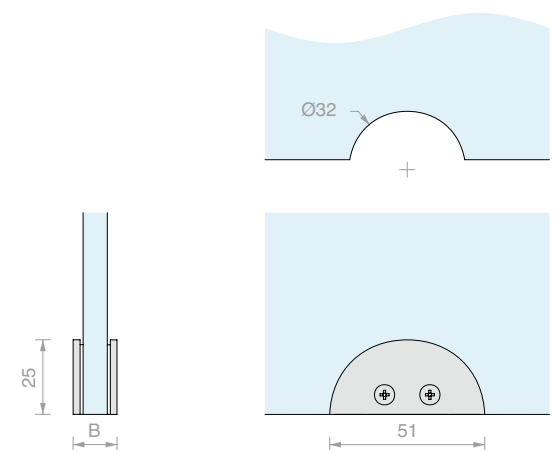
Art.	B	For glass	Qty
MA101	20 mm	10 mm	1 Pc
MA102	18 mm	8 mm	1 Pc



SEMI-CIRCULAR CLAMP MA

Material: brass

Finish: /1 /2 /24

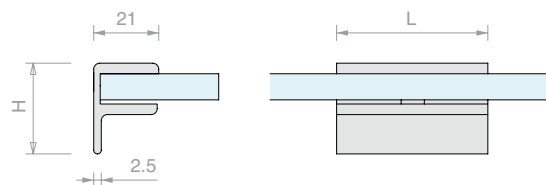


Art.	B	For glass	Qty
MA091	16 mm	10 mm	1 Pc
MA092	14 mm	8 mm	1 Pc

**F-SHAPED CLAMP NMF**

Material: brass

Finish: /1 /2 /3

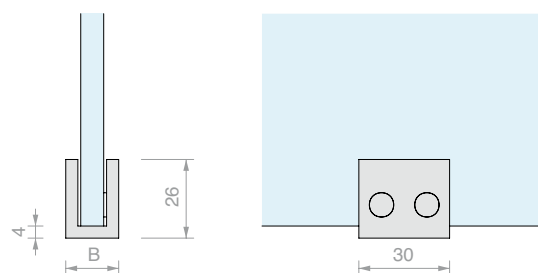


Art.	H	L	For glass	Qty
NMF4508	30 mm	45 mm	From 6 to 8 mm	1 Pc
NMF4510	32 mm	45 mm	From 8 to 10 mm	1 Pc
NMF4512	35 mm	45 mm	From 10 to 12 mm	1 Pc
NMF3008	30 mm	30 mm	From 6 to 8 mm	1 Pc
NMF3010	32 mm	30 mm	From 8 to 10 mm	1 Pc
NMF3012	35 mm	30 mm	From 10 to 12 mm	1 Pc
NMF2208	30 mm	22 mm	From 6 to 8 mm	1 Pc
NMF2210	32 mm	22 mm	From 8 to 10 mm	1 Pc
NMF2212	35 mm	22 mm	From 10 to 12 mm	1 Pc

**U-SHAPED CLAMP**

Material: brass

Finish: /1 /3

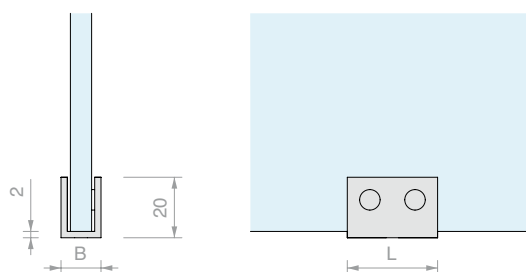


Art.	B	For glass	Qty
MU30095	17.5 mm	From 6 to 8 mm	1 Pc
MU30135	21.5 mm	From 10 to 12 mm	1 Pc

**U-SHAPED CLAMP**

Material: brass

Finish: /1 /7



Art.	B	L	For glass	Qty
MU3068	14 mm	30 mm	From 6 to 8 mm	1 Pc
MU30810	16 mm	30 mm	From 8 to 10 mm	1 Pc
MU301012	19 mm	30 mm	From 10 to 12 mm	1 Pc
MU4568	14 mm	45 mm	From 6 to 8 mm	1 Pc
MU45810	16 mm	45 mm	From 8 to 10 mm	1 Pc
MU451012	19 mm	45 mm	From 10 to 12 mm	1 Pc

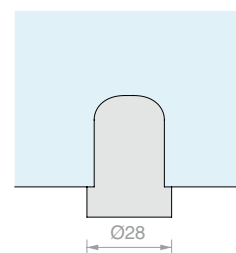
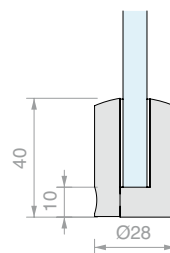


**ROUND CLAMP MA08210**

Material: brass

Finish: /1 /2 /3

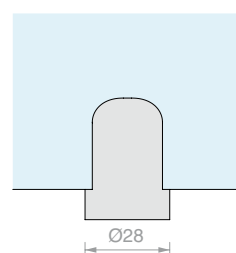
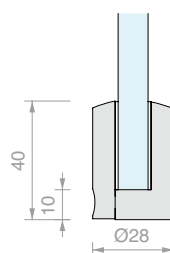
Art.	For glass	Qty
MA08210	8 mm	1 Pc

**ROUND CLAMP MA08110**

Material: brass

Finish: /1 /2 /3 /4

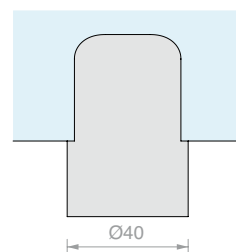
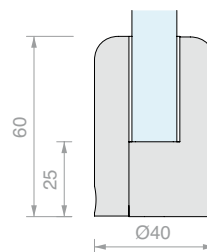
Art.	For glass	Qty
MA08110	10 mm	1 Pc

**ROUND CLAMP MA084**

Material: brass

Finish: /1 /2 /3

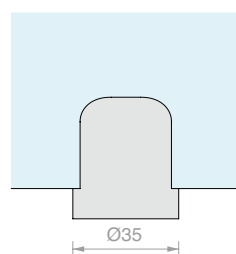
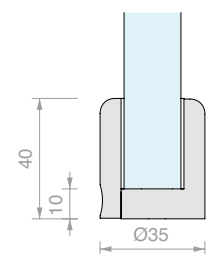
Art.	For glass	Qty
MA084	15 mm	1 Pc

**ROUND CLAMP MA089**

Material: brass

Finish: /1 /2 /3

Art.	For glass	Qty
MA089	19 mm	1 Pc

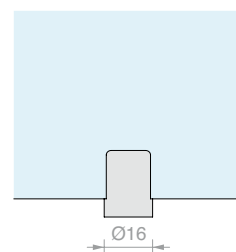
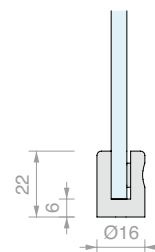
**ROUND CLAMP MT016**

Material: brass

Finish: /1 /2 /3 /4

With PVC head glass fixing screw

Art.	For glass	Qty
MT016	From 4 to 6 mm	1 Pc

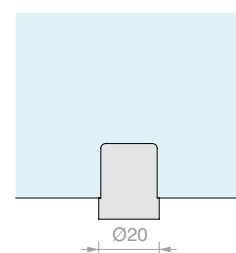
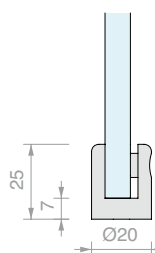
**ROUND CLAMP MT001**

Material: brass

Finish: /1 /2 /3 /4

With PVC head glass fixing screw

Art.	For glass	Qty
MT001	From 6 to 10 mm	1 Pc



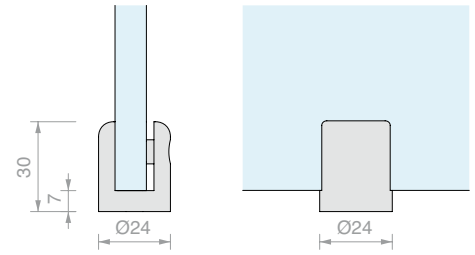
**ROUND CLAMP MT021**

Material: brass

Finish: /1 /2 /3 /4

With PVC head glass fixing screw

Art.	For glass	Qty
MT021	From 10 to 12 mm	1 Pc

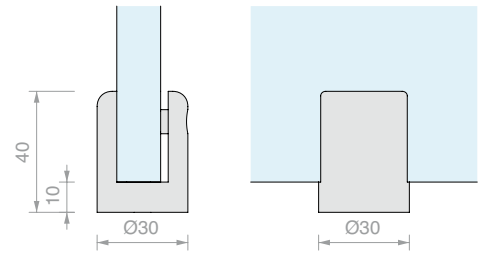
**ROUND CLAMP MT031**

Material: brass

Finish: /1 /2 /3

With PVC head glass fixing screw

Art.	For glass	Qty
MT031	15 mm	1 Pc

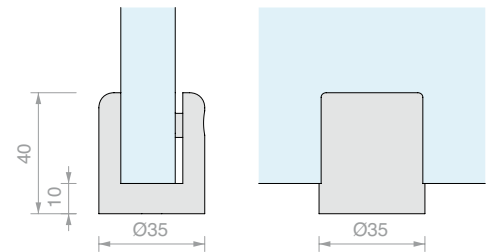
**ROUND CLAMP MT041**

Material: brass

Finish: /1 /2 /3

With PVC head glass fixing screw

Art.	For glass	Qty
MT041	19 mm	1 Pc

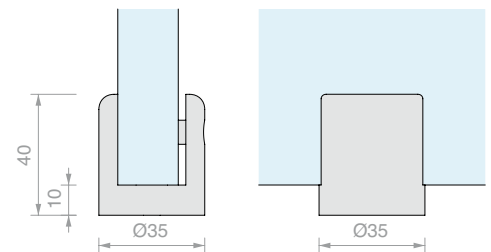
**ROUND CLAMP MT04122**

Material: brass

Finish: /1 /2 /3

With PVC head glass fixing screw

Art.	For glass	Qty
MT04122	21.5 mm	1 Pc

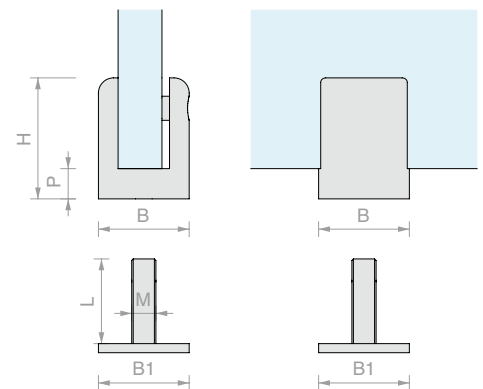
**ROUND CLAMP WITH SCREW**

Material: brass

Finish: /1 /2 /3

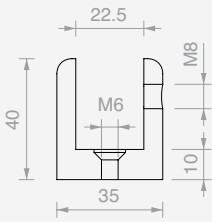
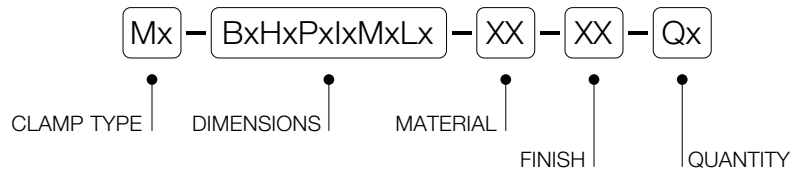
With PVC head glass fixing screw

Art.	B	H	P	B1	L	M	For glass	Qty
MT050	Ø16 mm	22 mm	6 mm	Ø14 mm	16 mm	M4	From 4 to 6 mm	1 Pc
MT051	Ø20 mm	25 mm	7 mm	Ø20 mm	16 mm	M6	From 6 to 10 mm	1 Pc
MT061	Ø24 mm	30 mm	7 mm	Ø24 mm	16 mm	M6	From 10 to 12 mm	1 Pc
MT071	Ø30 mm	40 mm	10 mm	Ø30 mm	28 mm	M8	15 mm	1 Pc





CUSTOM CODE COMPOSITION



Example:

MT-B35H40P10I22.5MM6-OT-CL-Q1



CLAMP TYPE

MATERIAL

FINISH

MT

MU

MA*

MR*

MC

A2 AISI 304 STEEL

A4 AISI 316 STEEL

OT BRASS

LU POLISHED

SA BRUSHED

RA RAL COLOUR

-- OTHER

CL POLISHED CHROME

NS BRUSHED NICKEL

RA RAL COLOUR

-- OTHER

NOTES

* Only available in brass
 GUR washer to be ordered separately, page 88. Vol.6

State measurements in mm
 For fixing to glass select screw, page 196. Vol.5



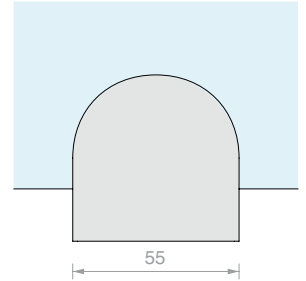
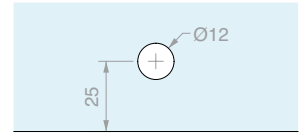
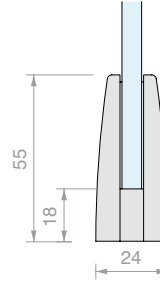
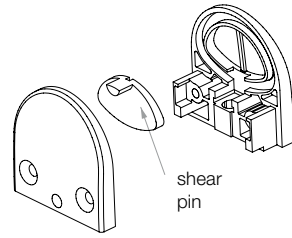


ROUNDED CLAMP M4335Z

Material: zamak

Finish: /1 /7

Note: supplied with option safety accessory, which requires a hole of Ø12 mm



Art.	For glass	Qty
M4335Z	From 4 to 10 mm	1 Pc

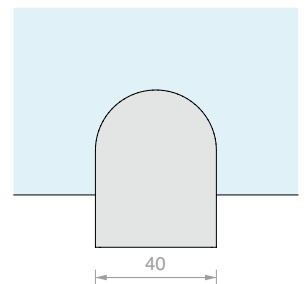
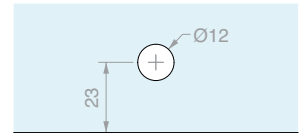
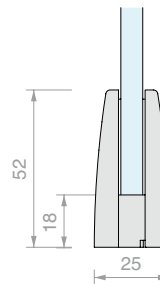
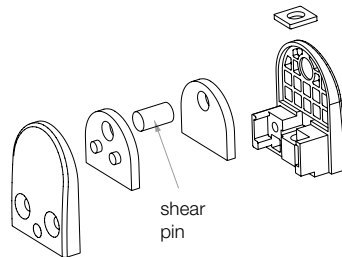


ROUNDED CLAMP M4345Z

Material: zamak

Finish: /1 /7

Note: supplied with option safety accessory, which requires a hole of Ø12 mm



Art.	For glass	Qty
M4345Z	From 5 to 8 mm	1 Pc

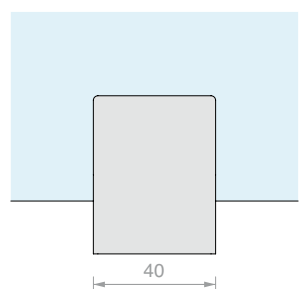
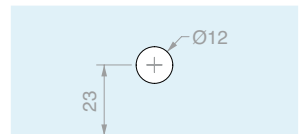
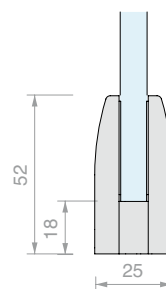
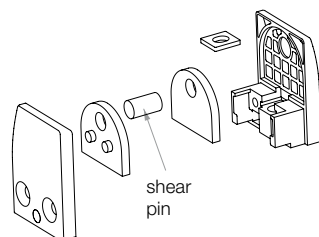


RECTANGULAR CLAMP M4353Z

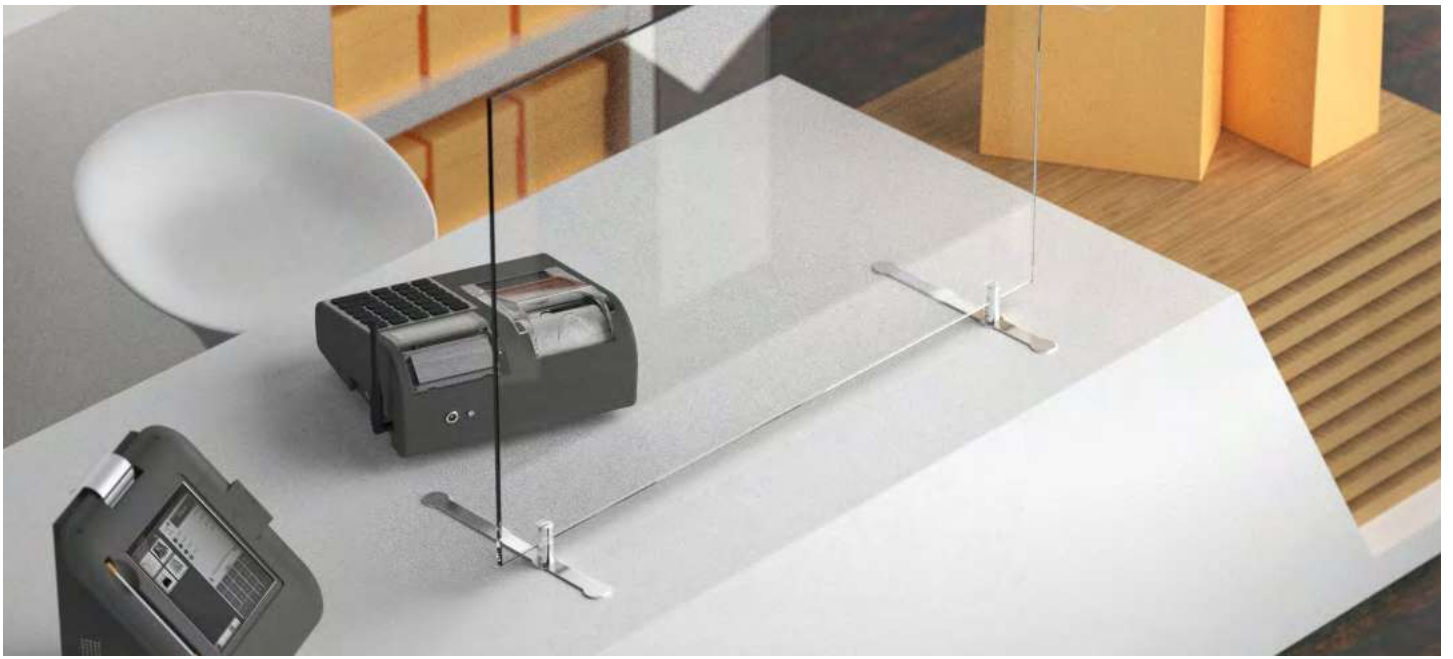
Material: zamak

Finish: /1 /7

Note: supplied with option safety accessory, which requires a hole of Ø12 mm



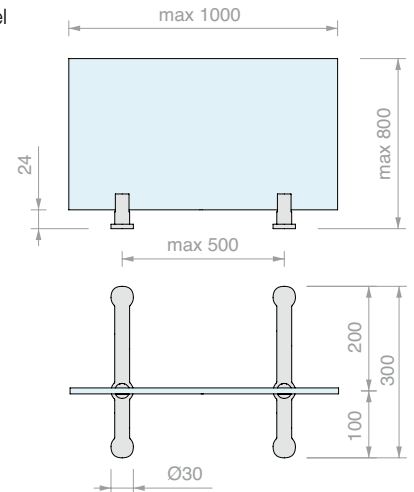
Art.	For glass	Qty
M4353Z	From 6 to 10 mm	1 Pc





PROTECTION KIT WITH ROUND CLAMPS

Material: AISI 304 stainless steel
Finish: /8

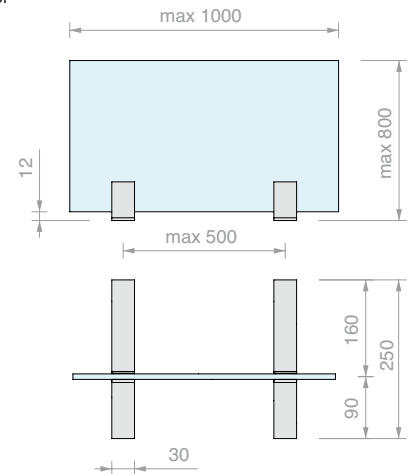


Art.	For glass	Qty
CRIEASY21	From 4 to 6 mm	1 Pc



PROTECTION KIT WITH RECTANGULAR CLAMPS

Material: AISI 304 stainless steel
Finish: /8

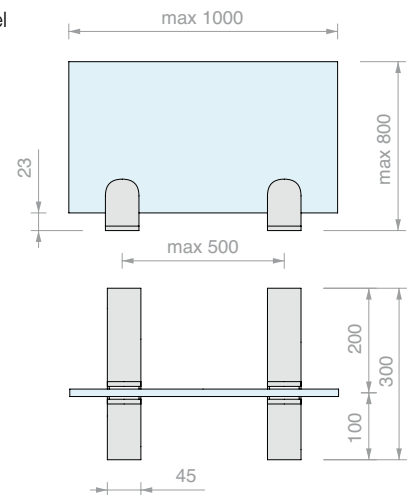


Art.	For glass	Qty
CRIEASY17	From 4 to 6 mm	1 Pc



PROTECTION KIT WITH ROUNDED CLAMPS

Material: AISI 304 stainless steel
Finish: /8



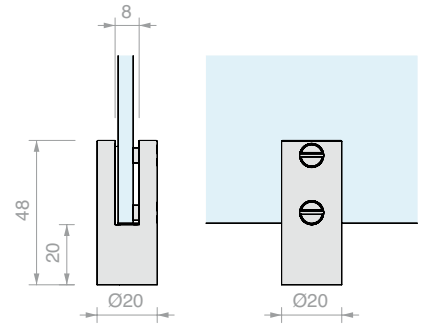
Art.	For glass	Qty
CRIEASY13	From 6 to 10 mm	1 Pc



ROUND CLAMP

Material: AISI 304 stainless steel

Finish: /9



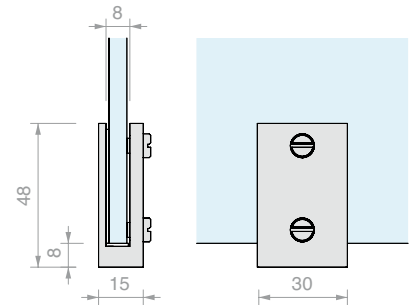
Art.	For glass	Qty
MT2050	From 4 to 6 mm	1 Pc



U-SHAPED CLAMP

Material: AISI 304 stainless steel

Finish: /8



Art.	For glass	Qty
MU5030	From 4 to 6 mm	1 Pc



BALLON SERIES CLAMP

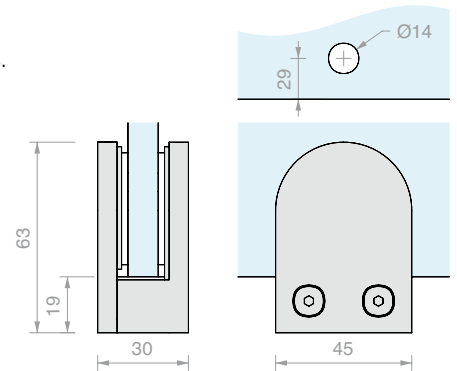
Material: AISI 316 stainless steel

Can be used for fixing glass to MQ series 600 columns.

Supplied with removable safety pin.

Recommended optional glass hole size Ø14 mm.

Finish: /8 /15

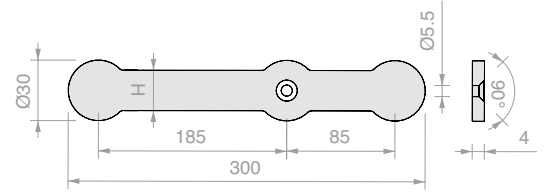


Art.	For glass	Qty
MS1207.006	6 mm	1 Pc
MS1207.008	8 mm	1 Pc
MS1207.087	8.7 mm	1 Pc
MS1207.010	10 mm	1 Pc
MS1207.107	10.7 mm	1 Pc
MS1207.012	12 mm	1 Pc
MS1207.127	12.7 mm	1 Pc

**SHAPED BASE PLATE**

Material: AISI 304 stainless steel

Finish: /8



Art.

BAT30030

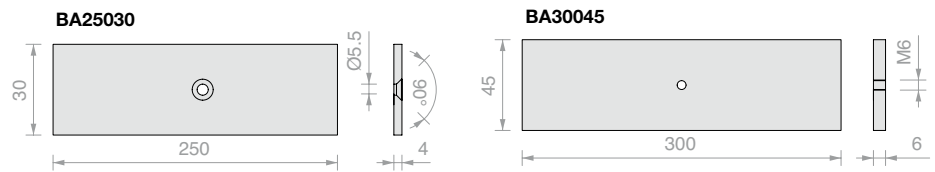
Qty

1 Pc

**RECTANGULAR BASE PLATE**

Material: AISI 304 stainless steel

Finish: /8



Art.

BA25030

Qty

1 Pc

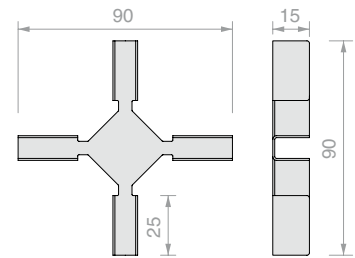
BA30045

1 Pc

**4-WAY JOINT**

Material: AISI 304 stainless steel

Finish: /8 /15 /97



Art.

For glass

Qty

GIUNTOX06

6 mm

1 Pc

GIUNTOX08

8 mm

1 Pc

GIUNTOX10

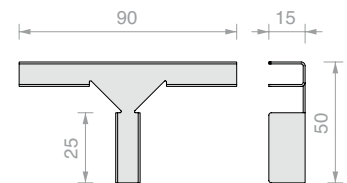
10 mm

1 Pc

**T-SHAPED JOINT**

Material: AISI 304 stainless steel

Finish: /8 /15 /97



Art.

For glass

Qty

GIUNTOT06

6 mm

1 Pc

GIUNTOT08

8 mm

1 Pc

GIUNTOT10

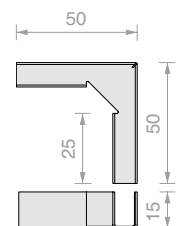
10 mm

1 Pc

**CORNER JOINT**

Material: AISI 304 stainless steel

Finish: /8 /15 /97



Art.

For glass

Qty

GIUNTOA06

6 mm

1 Pc

GIUNTOA08

8 mm

1 Pc

GIUNTOA10

10 mm

1 Pc

POINT FIXINGS



POINT FIXINGS



JOINTED AND FIXED
Page 170



DOMINO SERIES
Page 176



ATT SERIES
Page 178

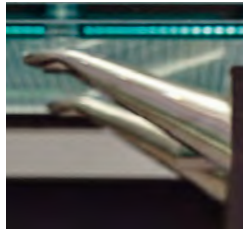


ETOILE SERIES
Page 180



SOLEIL ROYAL SERIES
Page 181

SUPPORT FOR STEPS



SUPPORT FOR STEPS
Page 183

SPACERS AND SCREWS



SPACERS
Page 186



DOUBLE SPACERS
Page 189



MODULAR SPACERS
Page 190



FIXING CONNECTORS
Page 192



SCREWS
Page 195



SPACERS FOR NAME-PLATES
Page 200



SCREW CAPS
Page 204



TOOLS
Page 205





Series							
	CON	CON7	IG	DOMINO	ATT	SPC4	SPC5
Panel Thickness (mm)	 Glass 8/10	 Glass 8/13.5	 Glass 10/17.5	 Glass 10/12	 Glass 8/10	 Glass 8/10	 Glass 8/10
Type of Fixing							
Wall/glass Fixed		 page 172	 page 174	 page 177	 page 179	 page 180	 page 181
Wall/glass Adjustable 1X	 page 170						
Wall/glass Adjustable 2X	 page 171	 page 173					
Glass/glass Angular Fixed			 page 175	 page 177	 page 179	 page 180	 page 181
Glass/glass Angular Adjustable	 page 171	 page 173	 page 175				
Glass/glass Straight Fixed				 page 177	 page 179	 page 180	 page 181
Glass/glass T-shaped Adjustable	 page 171	 page 173					
Glass/glass 3-way Fixed				 page 176	 page 178		



For different glass thicknesses
replace the DIN 7991 M8 screw
with one of a suitable length

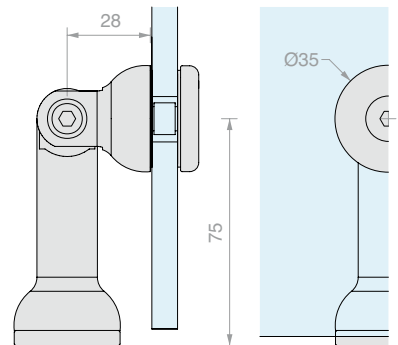


**WALL/GLASS POINT FIXING
WITH JOINT ON GLASS**

Material: AISI 304 stainless steel

Finish: /9

Recommended hole size Ø16 mm



Art.
CON3075B

For glass
From 8 to 10 mm

Qty
1 Pc

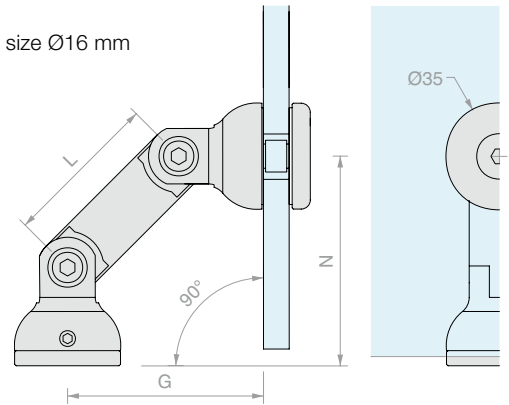


WALL/GLASS POINT FIXING WITH DOUBLE JOINT

Material: AISI 304 stainless steel

Finish: /9

Recommended hole size $\varnothing 16$ mm



Art.	L	N	G	For glass	Qty
CON1052B	52	69	65	From 8 to 10 mm	1 Pc
CON1072B	72	83	79	From 8 to 10 mm	1 Pc
CON1102B	102	105	100	From 8 to 10 mm	1 Pc

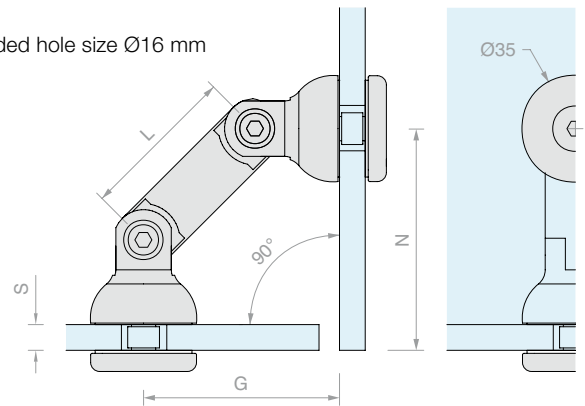


GLASS/GLASS POINT FIXING WITH DOUBLE JOINT

Material: AISI 304 stainless steel

Finish: /9

Recommended hole size $\varnothing 16$ mm



Art.	L	N	G	For glass	Qty
CON2052B	52	65+S	65	From 8 to 10 mm	1 Pc
CON2072B	72	79+S	79	From 8 to 10 mm	1 Pc
CON2102B	102	100+S	100	From 8 to 10 mm	1 Pc

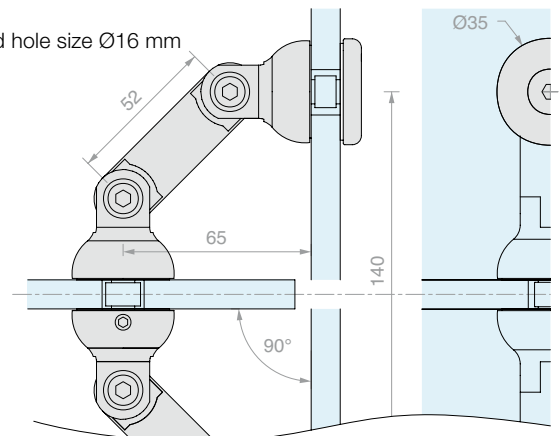


GLASS/GLASS POINT FIXING FOR T-INSTALLATION

Material: AISI 304 stainless steel

Finish: /9

Recommended hole size $\varnothing 16$ mm



Art.	For glass	Qty
CON4104B	From 8 to 10 mm	1 Pc



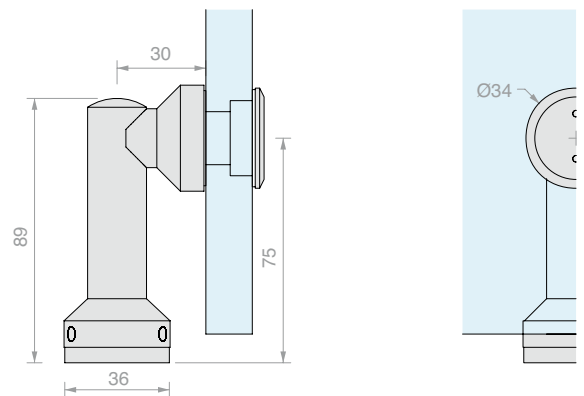
FIXED WALL/GLASS POINT FIXING

Material: AISI 304 stainless steel

Finish: /9

Recommended hole size $\varnothing 27$ mm

Recommended tool for installation Art. UT300



Art.
CON712B

For glass
From 8 to 13.5 mm

Qty
1 Pc



WALL/GLASS POINT FIXING WITH DOUBLE JOINT

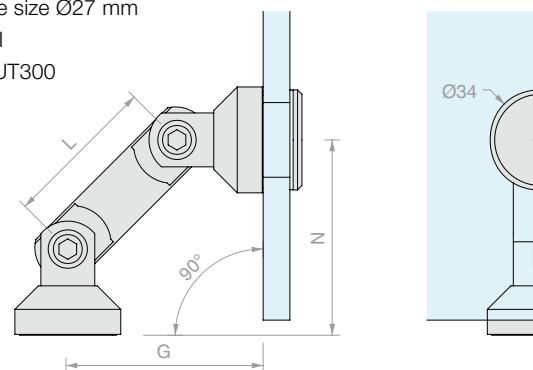
Material: AISI 304 stainless steel

Finish: /9

Recommended hole size $\varnothing 27$ mm

Recommended tool

for installation Art. UT300



Art.	L	N	G	For glass	Qty
CON7052MB	52	66	67	From 8 to 13.5 mm	1 Pc
CON7082MB	82	87	88	From 8 to 13.5 mm	1 Pc
CON7103MB	103	102	103	From 8 to 13.5 mm	1 Pc



GLASS/GLASS POINT FIXING WITH DOUBLE JOINT

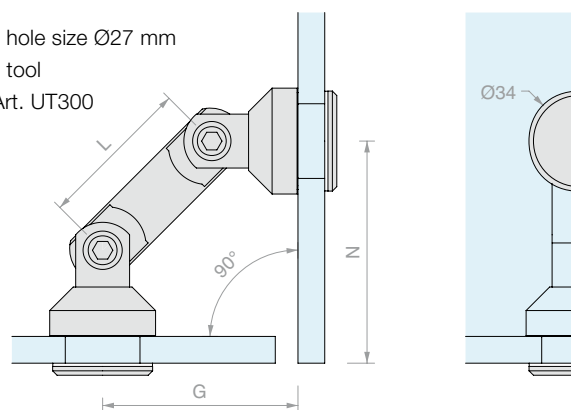
Material: AISI 304 stainless steel

Finish: /9

Recommended hole size $\varnothing 27$ mm

Recommended tool

for installation Art. UT300



Art.	L	N	G	For glass	Qty
CON7052VB	52	75	66	From 8 to 13.5 mm	1 Pc
CON7082VB	82	87	88	From 8 to 13.5 mm	1 Pc
CON7103VB	103	102	103	From 8 to 13.5 mm	1 Pc



GLASS/GLASS POINT FIXING FOR T-INSTALLATION

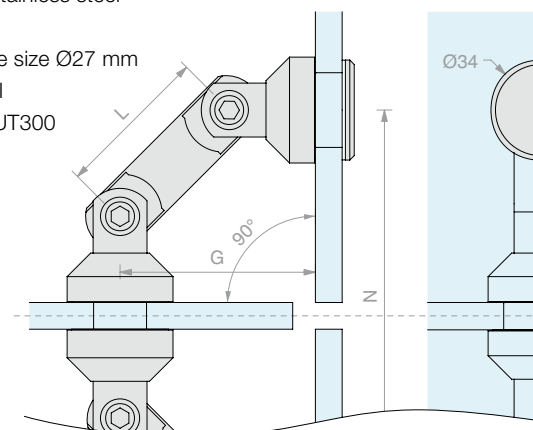
Material: AISI 304 stainless steel

Finish: /9

Recommended hole size $\varnothing 27$ mm

Recommended tool

for installation Art. UT300



Art.	L	N	G	For glass	Qty
CON7052TB	52	140	66	From 8 to 13.5 mm	1 Pc
CON7082TB	82	182	88	From 8 to 13.5 mm	1 Pc
CON7103TB	103	211	103	From 8 to 13.5 mm	1 Pc



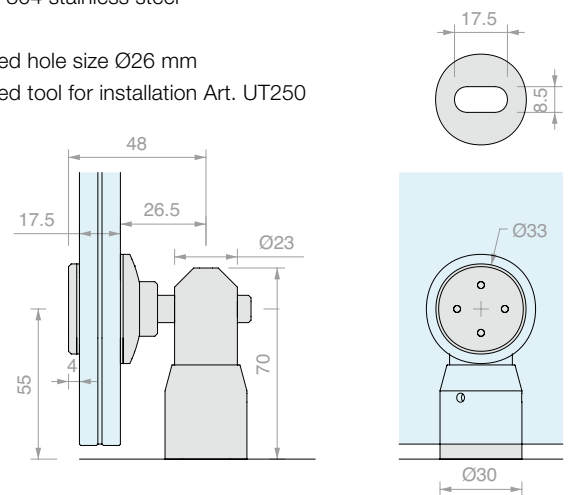
ADJUSTABLE WALL/GLASS POINT FIXING

Material: AISI 304 stainless steel

Finish: /9

Recommended hole size Ø26 mm

Recommended tool for installation Art. UT250



Art.	For glass	Qty
IG500TP	From 10 to 17.5 mm	1 Pc
IG500	Body only	1 Pc



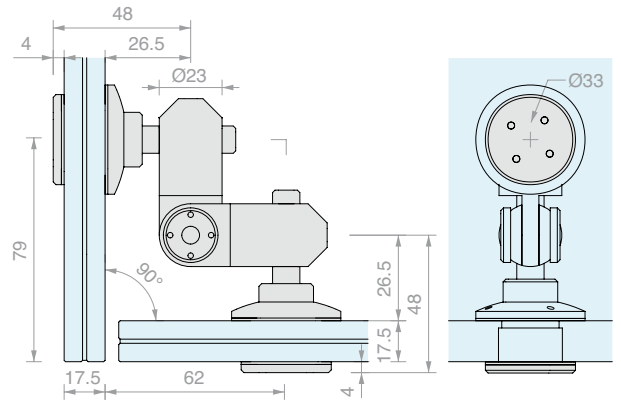
ARTICULATED GLASS/GLASS POINT FIXING

Material: AISI 304 stainless steel

Finish: /9

Recommended hole size Ø26 mm

Recommended tool for installation Art. UT250



Art.	For glass	Qty
IG650TP	From 10 to 17.5 mm	1 Pc
IG650	Body only	1 Pc



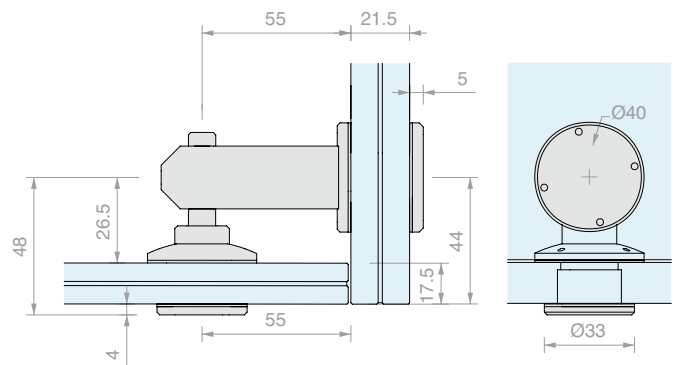
90° GLASS/GLASS POINT FIXING

Material: AISI 304 stainless steel

Finish: /9

Recommended hole size Ø26 mm

Recommended tool for installation Art. UT250



Art.	For glass	Qty
IG850TP	From 10 to 17.5 mm	1 Pc
IG850	Body only	1 Pc



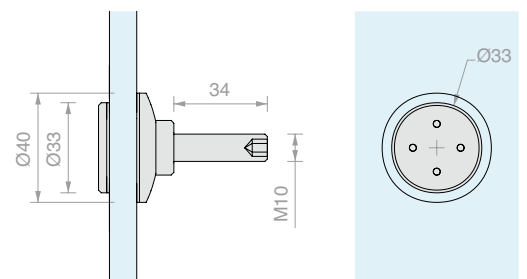
JOINFIX CONNECTOR

Material: AISI 304 stainless steel

Finish: /9

Recommended hole size Ø26 mm

Recommended tool for installation Art. UT250



Art.	For glass	Qty
JOFAG	From 10 to 17.5 mm	1 Pc

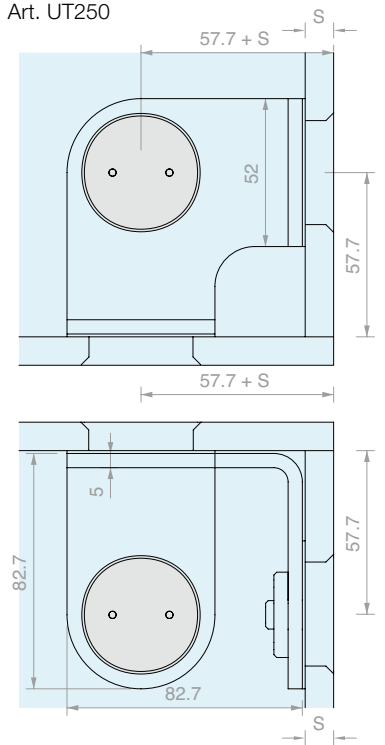


DOMINO SERIES 3-WAY CONNECTOR

Material: AISI 304 stainless steel

Finish: /8

Recommended tool for installation Art. UT250



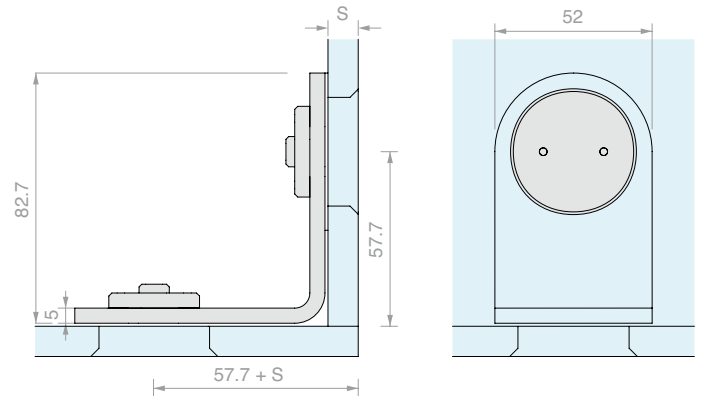
Art.	Description	Glass hole	For glass - S	Qty
DOM3VCF2	With COFIS 40B	Ø36/37 countersunk 3 mm x 45°	From 10 to 12 mm	1 Pc
DOM3VCF3	With COFIS 30B	Ø26/27 countersunk 3 mm x 45°	From 10 to 12 mm	1 Pc
DOM3V	Bracket only	-	-	1 Pc

**DOMINO SERIES 90° 2-WAY CONNECTOR**

Material: AISI 304 stainless steel

Finish: /8

Recommended tool for installation Art. UT250



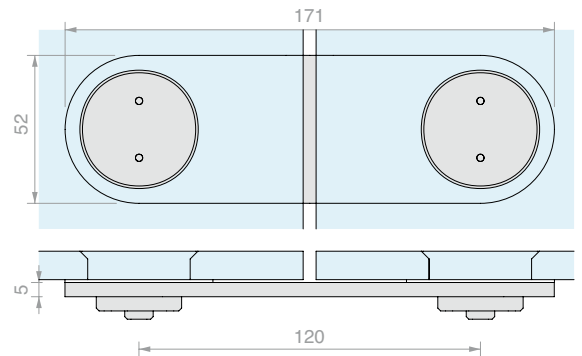
Art.	Description	Glass hole	For glass - S	Qty
DOM90CF2	With COFIS 40B	Ø36/37 countersunk 3 mm x 45°	From 10 to 12 mm	1 Pc
DOM90CF3	With COFIS 30B	Ø26/27 countersunk 3 mm x 45°	From 10 to 12 mm	1 Pc
DOM90	Bracket only	-	-	1 Pc

**DOMINO SERIES STRAIGHT 2-WAY CONNECTOR**

Material: AISI 304 stainless steel

Finish: /8

Recommended tool for installation Art. UT250



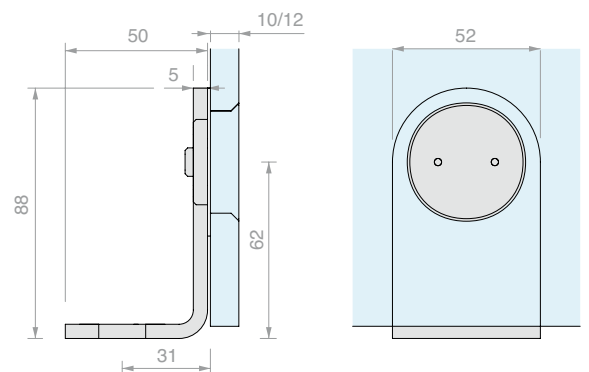
Art.	Description	Glass hole	For glass	Qty
DOMLINCF2	With COFIS 40B	Ø36/37 countersunk 3 mm x 45°	From 10 to 12 mm	1 Pc
DOMLINCF3	With COFIS 30B	Ø26/27 countersunk 3 mm x 45°	From 10 to 12 mm	1 Pc
DOMLIN	Bracket only	-	-	1 Pc

**DOMINO SERIES L-SHAPED CONNECTOR**

Material: AISI 304 stainless steel

Finish: /8

Recommended tool for installation Art. UT250



Art.	Description	Glass hole	For glass	Qty
DOMANGCF2	With COFIS 40B	Ø36/37 countersunk 3 mm x 45°	From 10 to 12 mm	1 Pc
DOMANGCF3	With COFIS 30B	Ø26/27 countersunk 3 mm x 45°	From 10 to 12 mm	1 Pc
DOMANG	Bracket only	-	-	1 Pc

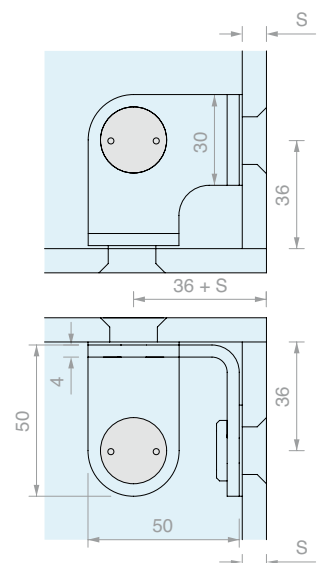


ATT SERIES 3-WAY CONNECTOR

Material: AISI 304 stainless steel

Finish: /8

Recommended tool for installation Art. UT250



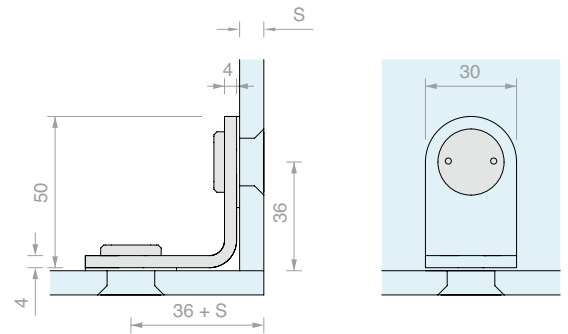
Art.	Description	Glass hole	For glass - S	Qty
ATT3VCF5	With COFIS 20N	Ø17/18 countersunk 3 mm x 45°	From 8 to 10 mm	1 Pc
ATT3V	Bracket only	-	-	1 Pc

**ATT SERIES 90° 2-WAY CONNECTOR**

Material: AISI 304 stainless steel

Finish: /8

Recommended tool for installation Art. UT250



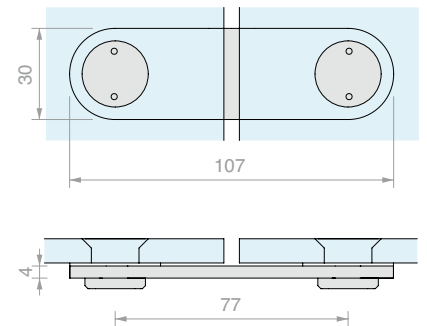
Art.	Description	Glass hole	For glass - S	Qty
ATT90CF5	With COFIS 20N	Ø17/18 countersunk 3 mm x 45°	From 8 to 10 mm	1 Pc
ATT90	Bracket only	-	-	1 Pc

**ATT SERIES STRAIGHT 2-WAY CONNECTOR**

Material: AISI 304 stainless steel

Finish: /8

Recommended tool for installation Art. UT250



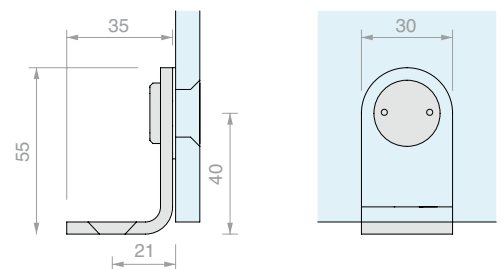
Art.	Description	Glass hole	For glass	Qty
ATTLINCF5	With COFIS 20N	Ø17/18 countersunk 3 mm x 45°	From 8 to 10 mm	1 Pc
ATTLIN	Bracket only	-	-	1 Pc

**ATT SERIES L-SHAPED CONNECTOR**

Material: AISI 304 stainless steel

Finish: /8

Recommended tool for installation Art. UT250



Art.	Description	Glass hole	For glass	Qty
ATTANGCF5	With COFIS 20N	Ø17/18 countersunk 3 mm x 45°	From 8 to 10 mm	1 Pc
ATTANG	Bracket only	-	-	1 Pc



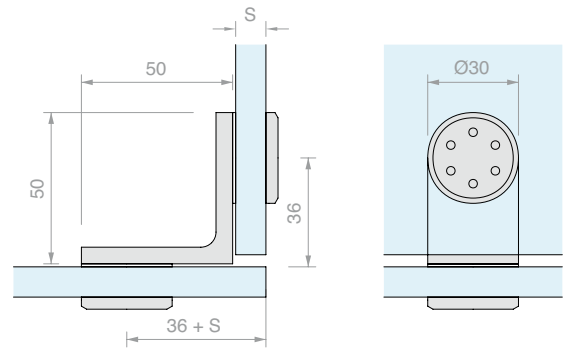
ETOILE SERIES 90° 2-WAY CONNECTOR

Material: AISI 304 stainless steel

Finish: /9

Recommended hole size Ø20 mm

Recommended tool for installation Art. UT300



Art.	For glass - S	Qty
SPC419	From 8 to 10 mm	1 Pc



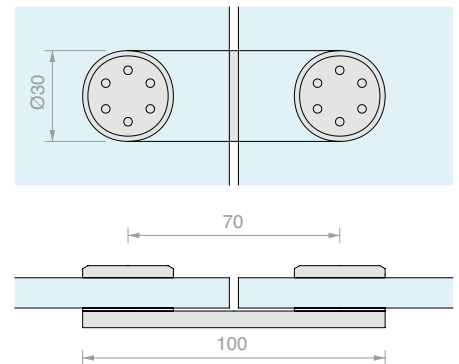
ETOILE SERIES STRAIGHT 2-WAY CONNECTOR

Material: AISI 304 stainless steel

Finish: /9

Recommended hole size Ø20 mm

Recommended tool for installation Art. UT300



Art.	For glass	Qty
SPC420	From 8 to 10 mm	1 Pc



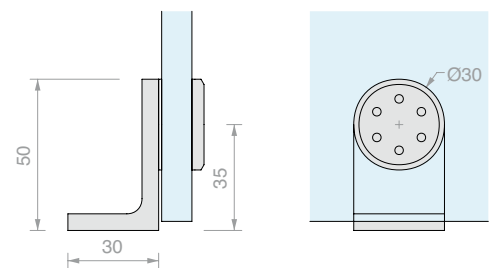
ETOILE SERIES L-SHAPED CONNECTOR

Material: AISI 304 stainless steel

Finish: /9

Recommended hole size Ø20 mm

Recommended tool for installation Art. UT300



Art.	For glass	Qty
SPC415	From 8 to 10 mm	1 Pc

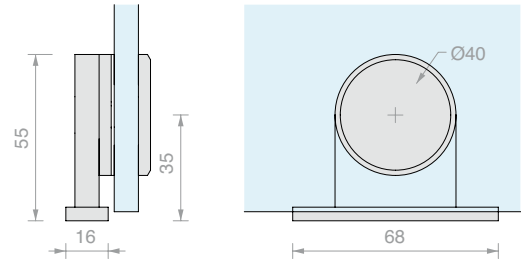


SOLEIL ROYAL SERIES WALL/GLASS CONNECTOR

Material: AISI 304 stainless steel

Finish: /9

Recommended hole size Ø20 mm



Art.	For glass	Qty
SPC501	From 8 to 10 mm	1 Pc

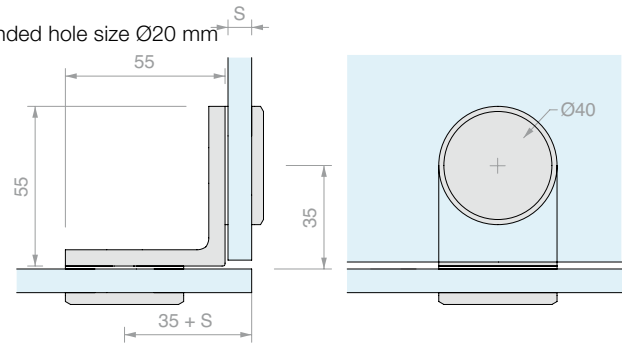


SOLEIL ROYAL SERIES 90° 2-WAY CONNECTOR

Material: AISI 304 stainless steel

Finish: /9

Recommended hole size Ø20 mm



Art.	For glass - S	Qty
SPC507	From 8 to 10 mm	1 Pc

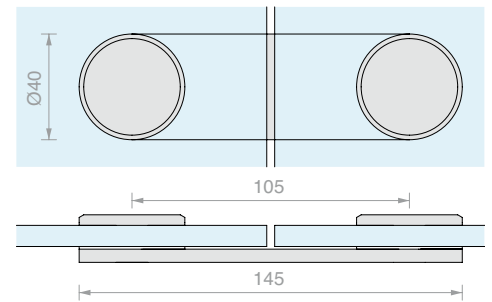


SOLEIL ROYAL SERIES STRAIGHT 2-WAY CONNECTOR

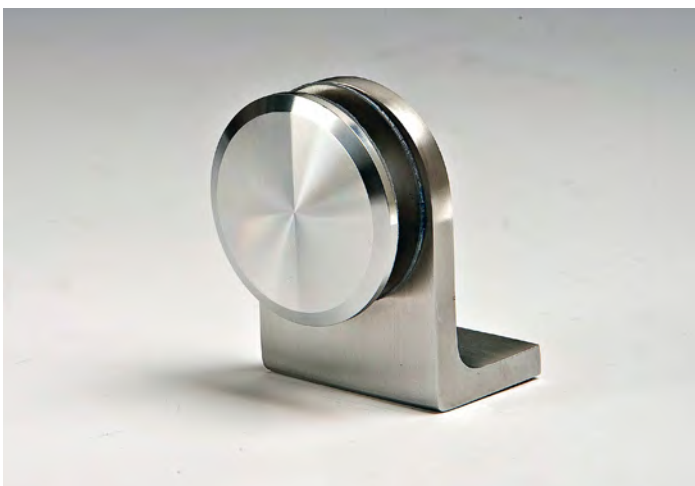
Material: AISI 304 stainless steel

Finish: /9

Recommended hole size Ø20 mm



Art.	For glass	Qty
SPC509	From 8 to 10 mm	1 Pc

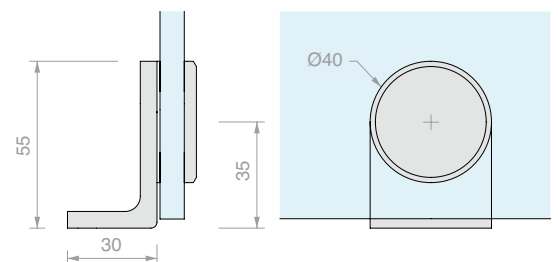


SOLEIL ROYAL L-SHAPED CONNECTOR

Material: AISI 304 stainless steel

Finish: /9

Recommended hole size Ø20 mm



Art.	For glass	Qty
SPC503	From 8 to 10 mm	1 Pc



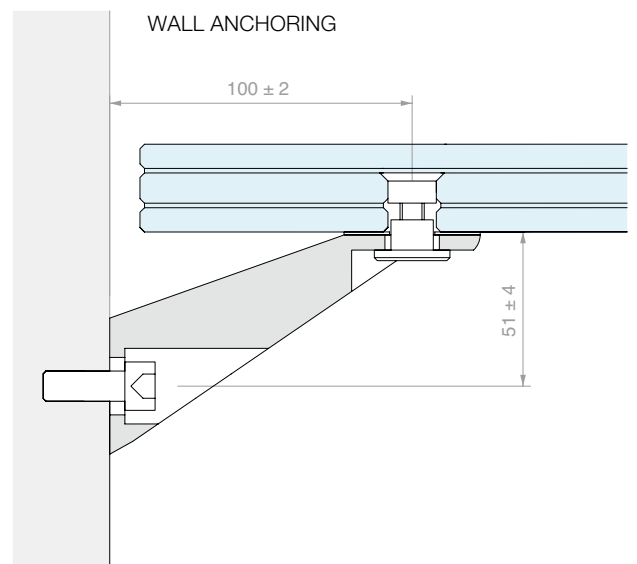
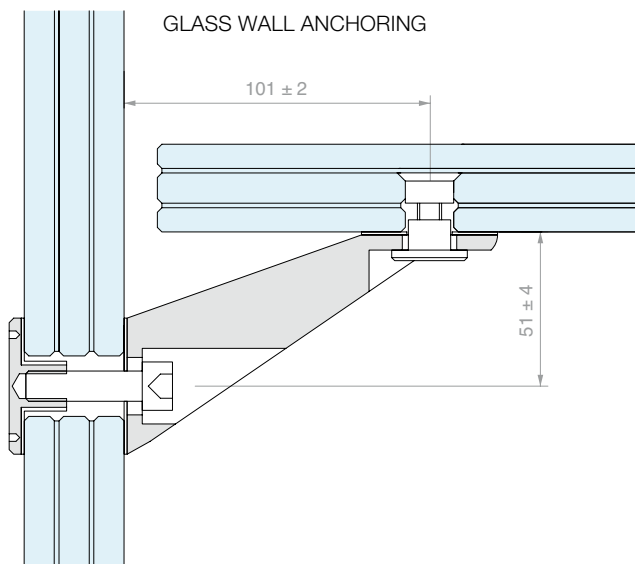
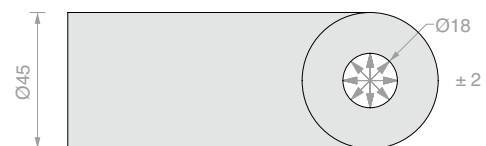
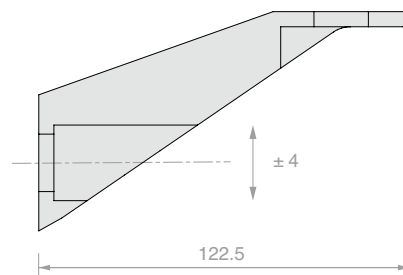
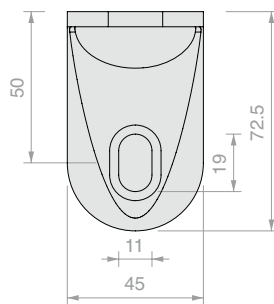


SUPPORT FOR STEPS

Material: AISI 304 stainless steel

Finish: /8 /15

Recommended tool for installation Art. UT250



Art.
SUPGR01

Qty
1 Pc

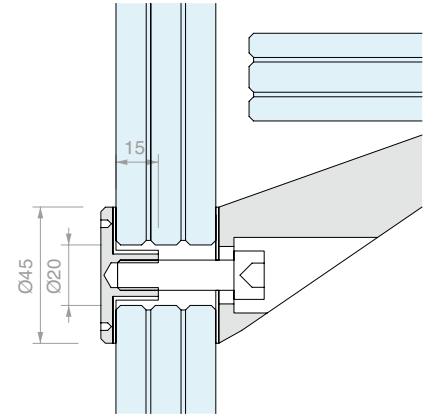
**FIXING STUD**

Material: AISI 304 stainless steel

Finish: /9

Recommended hole size Ø20 mm

Recommended tool for installation Art. UT250



Art.

SUPGR03

Qty

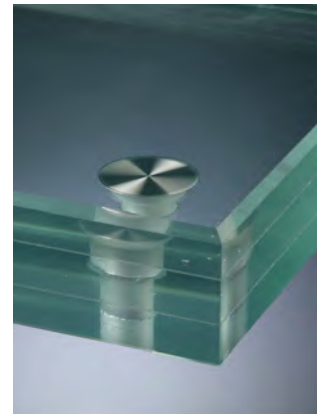
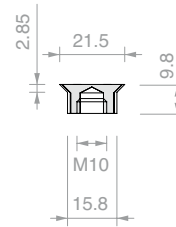
1 Pc

**20A FIXING CONNECTOR**

Material: AISI 304 stainless steel with aluminium washer

Finish: /9

Glass hole Ø16/17, countersunk 3 mm x 45°



Art.

COFIS20A

Qty

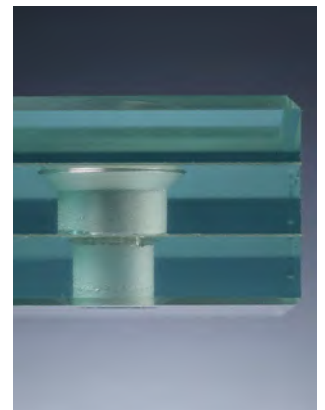
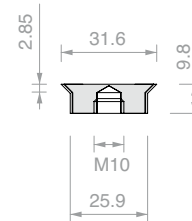
1 Pc

**30A FIXING CONNECTOR**

Material: AISI 304 stainless steel with aluminium washer

Finish: /9

Glass hole Ø26/27, countersunk 3 mm x 45°



Art.

COFIS30A

Qty

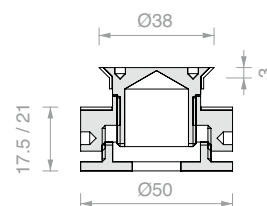
1 Pc

**ADJUSTABLE STEPS SUPPORT**

Material: AISI 304 stainless steel

Finish: /9

Glass hole Ø32, countersunk 3 mm x 45°



Art.

MDSCA38

For glass

From 16 to 30 mm

Qty

1 Pc



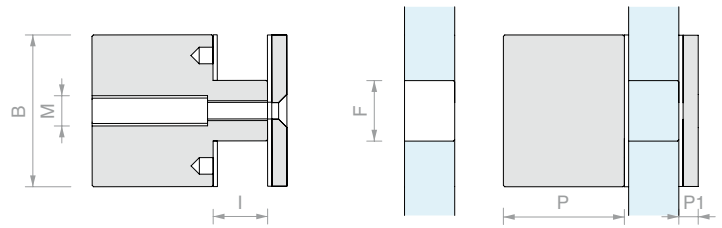


SQUARE SPACER WITH COLLAR AND STUD

Material: AISI 304 stainless steel

Finish: /9

Recommended tool for installation Art. UT300



Art.	B	P	M	I	P1	F	Qty
DISTQA50	50x50 mm	40 mm	M10	18 mm	7 mm	Ø23 mm	1 Pc
DISTQA35	35x35 mm	30 mm	M8	13 mm	5 mm	Ø18 mm	1 Pc



SPACER WITH COLLAR AND COUNTERSUNK CONNECTOR

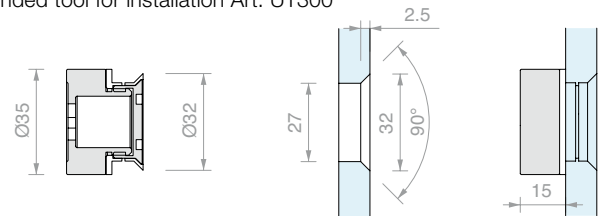
Material: AISI 304 stainless steel

Finish: /8 /15

Glass hole Ø27, countersunk 2.5 mm x 45°

With slot for wall fixing

Recommended tool for installation Art. UT300



Art.	For glass	Qty
PF134	From 10 to 12 mm	1 Pc



SPACER WITH COLLAR AND STUD

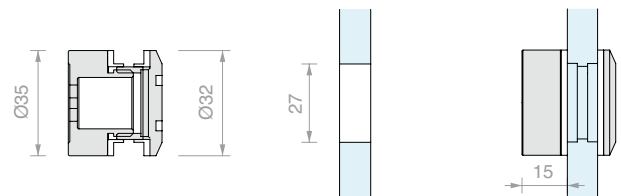
Material: AISI 304 stainless steel

Finish: /8 /15

Recommended hole size Ø27 mm

With slot for wall fixing

Recommended tool for installation Art. UT300



Art.	For glass	Qty
PB174	From 8 to 12 mm	1 Pc

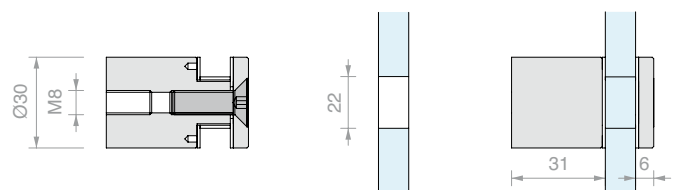


SPACER WITH COLLAR AND SCREW

Material: AISI 304 stainless steel

Finish: /9

Recommended hole size Ø22 mm



Art.	For glass	Qty
DISTB30	From 13.5 to 21.5 mm	1 Pc



SPACER WITH COLLAR AND STUD MD3540A

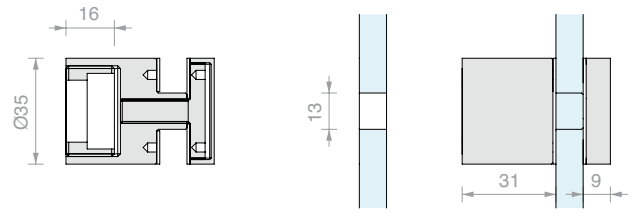
Material: AISI 304 stainless steel

Finish: /9

Recommended hole size Ø13 mm

With slot for wall fixing

Recommended tool for installation Art. UT300



Art.
MD3540A

For glass
From 10 to 21.5 mm

Qty
1 Pc



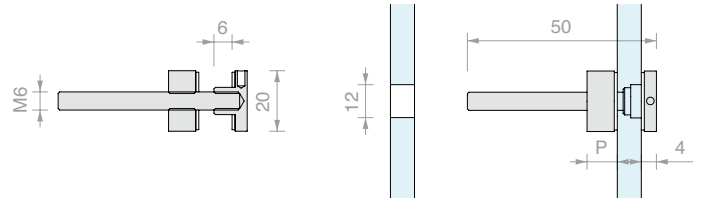
SPACER WITH CAP DISTC

Material: AISI 304 stainless steel

Finish: /9

Recommended hole size Ø12 mm

Note: with screw M6 x 62 mm



Art. **DISTC2004** 5 mm
DISTC2010 11 mm

P
5 mm
11 mm

Qty
1 Pc
1 Pc

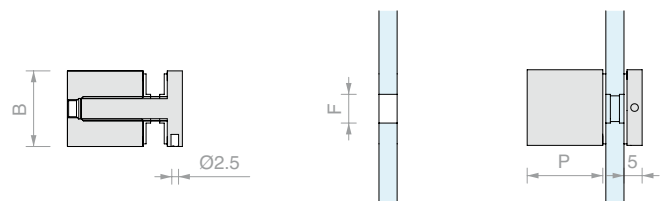


SPACER WITH CAP DH

Material: AISI 304 stainless steel

Finish: /9

Note: left-hand thread screw



Art.	B	P	For screw	F	For glass	Qty
DH1510	Ø15 mm	10 mm	M3	Ø11 mm	From 4 to 5 mm	1 Pc
DH1515	Ø15 mm	15 mm	M3	Ø11 mm	From 4 to 8 mm	1 Pc
DH1520	Ø15 mm	20 mm	M3	Ø11 mm	From 4 to 12 mm	1 Pc
DH1810	Ø18 mm	10 mm	M3	Ø11 mm	From 4 to 5 mm	1 Pc
DH1815	Ø18 mm	15 mm	M3	Ø11 mm	From 4 to 8 mm	1 Pc
DH1820	Ø18 mm	20 mm	M3	Ø11 mm	From 4 to 12 mm	1 Pc
DH2215	Ø22 mm	15 mm	M5	Ø15 mm	From 4 to 8 mm	1 Pc
DH2220	Ø22 mm	20 mm	M5	Ø15 mm	From 4 to 12 mm	1 Pc
DH2225	Ø22 mm	25 mm	M5	Ø15 mm	From 4 to 12 mm	1 Pc
DH2515	Ø25 mm	15 mm	M5	Ø15 mm	From 4 to 8 mm	1 Pc
DH2520	Ø25 mm	20 mm	M5	Ø15 mm	From 4 to 12 mm	1 Pc
DH2525	Ø25 mm	25 mm	M5	Ø15 mm	From 4 to 12 mm	1 Pc



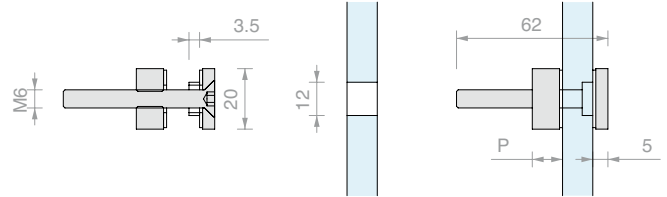
SPACER WITH SCREW DISTV

Material: AISI 304 stainless steel

Finish: /9

Recommended hole size Ø12 mm

Note: with screw M6 x 50 mm



Art.	P	Qty
DISTV2004	5 mm	1 Pc
DISTV2010	11 mm	1 Pc

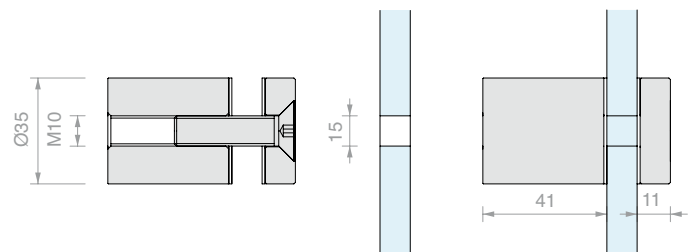


SPACER WITH SCREW MDMAC52

Material: AISI 304 stainless steel

Finish: /9

Recommended hole size Ø15 mm



Art.	For glass	Qty
MDMAC52	From 10 to 17.5 mm	1 Pc

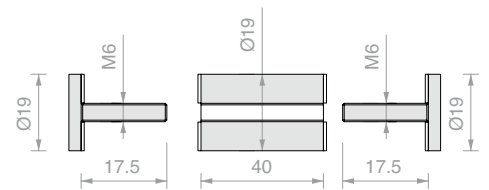


DOUBLE SPACER WITH SCREW DIST007

Material: AISI 304 stainless steel

Finish: /9

Recommended hole size Ø8 mm



Art.	Description	Qty
DIST007	With screw Ø19 mm flat head	1 Pc



ADJUSTABLE SPACER WITH COLLAR AND SCREW MD

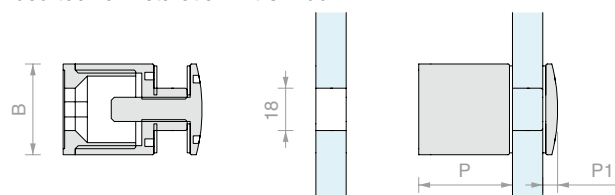
Material: brass

Finish: /1 /3

Recommended hole size Ø18 mm

With slot for wall fixing

Recommended tool for installation Art.UT250

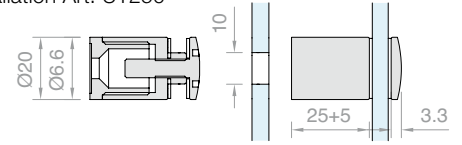


Art.	B	P	P1	For glass	Qty
MD4035	Ø40 mm	36 + 10 mm	6 mm	From 10 to 21.5 mm	1 Pc
MD3030	Ø30 mm	31 + 10 mm	5 mm	From 10 to 21.5 mm	1 Pc



ADJUSTABLE SPACER WITH SCREW MD

Material: brass
 Finish: /1 /3
 Recommended hole size Ø14 mm
 Recommended tool for installation Art. UT250

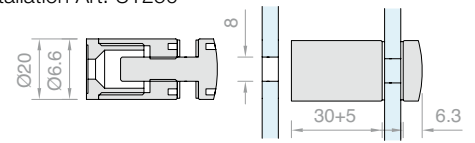


Art.	For glass	Qty
MD2025	From 5 to 15 mm	1 Pc



ADJUSTABLE SPACER WITH SCREW MD

Material: brass
 Finish: /1 /3
 Recommended hole size Ø12 mm
 Recommended tool for installation Art. UT250

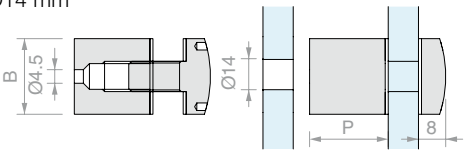


Art.	For glass	Qty
MD230	From 5 to 15 mm	1 Pc



SPACER WITH SCREW MD

Material: brass
 Finish: /1 /2 /3
 Recommended hole size Ø14 mm
 Recommended tool for installation Art. UT300

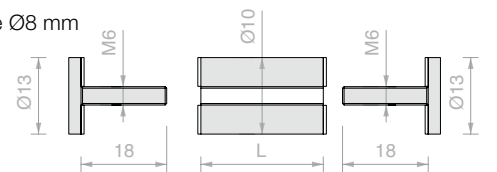


Art.	B	P	For glass	Qty
MD193	Ø25 mm	41 mm	From 4 to 12 mm	1 Pc
MD192	Ø25 mm	26 mm	From 4 to 12 mm	1 Pc



DIST DOUBLE SPACER WITH IRON SCREWS

Material: brass, iron
 Finish: /95
 Recommended hole size Ø8 mm

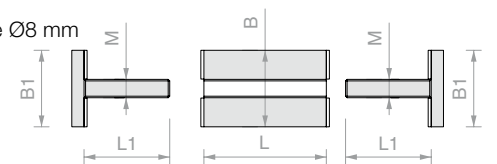


Art.	L	Description	Qty
DIST002	30 mm	With screw Ø13 mm flat knurled head	1 Pc
DIST003	40 mm	With screw Ø13 mm flat knurled head	1 Pc



DIST DOUBLE SPACER WITH SCREWS

Material: brass
 Finish: /1 /2 /3
 Recommended hole size Ø8 mm



Art.	B	L	Description B1	L1	M	Qty
DIST001	Ø25 mm	40 mm	With screw Ø24 mm flat knurled head	28 mm	M6	1 Pc
DIST004	Ø18 mm	35 mm	With screw Ø18 mm button head	20 mm	M5	1 Pc
DIST005	Ø20 mm	28 mm	With screw Ø20 mm flat knurled head	22 mm	M6	1 Pc



SPACER DISTCOFIS

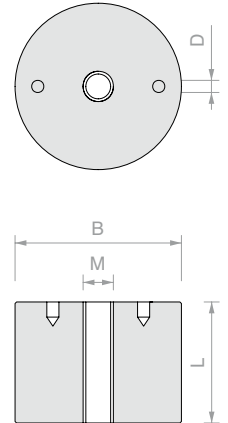
Material: AISI 304 stainless steel

Finish: /9

Recommended tool for installation

Art. UT200/UT300/UT400

according to dimension D



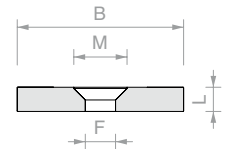
Art.	B	L	M	D	Qty
DISTCOFIS925	Ø25 mm	25 mm	M6	Ø2 mm	1 Pc
DISTCOFIS940	Ø25 mm	40 mm	M6	Ø2 mm	1 Pc
DISTCOFIS10	Ø25 mm	25 mm	M8	Ø2 mm	1 Pc
DISTCOFIS9	Ø25 mm	40 mm	M8	Ø2 mm	1 Pc
DISTCOFIS76	Ø30 mm	40 mm	M6	Ø3 mm	1 Pc
DISTCOFIS78	Ø30 mm	40 mm	M8	Ø3 mm	1 Pc
DISTCOFIS86	Ø30 mm	25 mm	M6	Ø3 mm	1 Pc
DISTCOFIS88	Ø30 mm	25 mm	M8	Ø3 mm	1 Pc
DISTCOFIS8	Ø30 mm	25 mm	M10	Ø3 mm	1 Pc
DISTCOFIS7	Ø30 mm	40 mm	M10	Ø3 mm	1 Pc
DISTCOFIS6	Ø35 mm	25 mm	M10	Ø4 mm	1 Pc
DISTCOFIS5	Ø35 mm	40 mm	M10	Ø4 mm	1 Pc
DISTCOFIS4025	Ø40 mm	25 mm	M10	Ø4 mm	1 Pc
DISTCOFIS4040	Ø40 mm	40 mm	M10	Ø4 mm	1 Pc
DISTCOFIS4	Ø45 mm	25 mm	M10	Ø4 mm	1 Pc
DISTCOFIS3	Ø45 mm	40 mm	M10	Ø4 mm	1 Pc
DISTCOFIS5025	Ø50 mm	25 mm	M10	Ø4 mm	1 Pc
DISTCOFIS5040	Ø50 mm	40 mm	M10	Ø4 mm	1 Pc
DISTCOFIS2	Ø55 mm	25 mm	M10	Ø4 mm	1 Pc
DISTCOFIS1	Ø55 mm	40 mm	M10	Ø4 mm	1 Pc



STUDS FOR SCREWS BORKIA

Material: AISI 304 stainless steel

Finish: /9



Art.	B	L	F	M	Qty
BORKIA0	Ø25 mm	5 mm	6.5 mm	for screw M6	1 Pc
BORKIA1	Ø25 mm	7 mm	8.5 mm	for screw M8	1 Pc
BORKIA2	Ø30 mm	5 mm	6.5 mm	for screw M6	1 Pc
BORKIA3	Ø30 mm	7 mm	8.5 mm	for screw M8	1 Pc
BORKIA33	Ø30 mm	8 mm	10.5 mm	for screw M10	1 Pc
BORKIA4	Ø35 mm	8 mm	10.5 mm	for screw M10	1 Pc
BORKIA40	Ø40 mm	8 mm	10.5 mm	for screw M10	1 Pc
BORKIA5	Ø45 mm	8 mm	10.5 mm	for screw M10	1 Pc
BORKIA6	Ø50 mm	8 mm	10.5 mm	for screw M10	1 Pc
BORKIA66	Ø55 mm	8 mm	10.5 mm	for screw M10	1 Pc
BORKIA7	Ø75 mm	8 mm	10.5 mm	for screw M10	1 Pc

**SCREW WITH 4 BLIND HOLES**

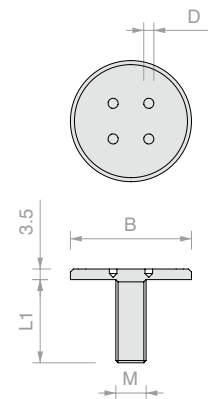
Material: AISI 304 stainless steel

Finish: /9

Recommended tool for installation

Art. UT200/UT300

according to dimension D



Art.	B	L1	M	D	Qty
MVAC3041	Ø25 mm	27.5 mm	M8	Ø2.5 mm	1 Pc
MVAC3044	Ø35 mm	36 mm	M12	Ø2.5 mm	1 Pc
MVAC3048	Ø40 mm	30 mm	M10	Ø3 mm	1 Pc

**FLAT HEAD SCREW**

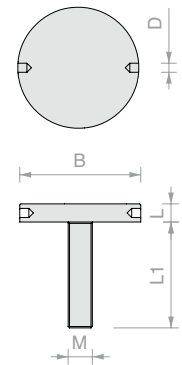
Material: AISI 304 stainless steel

Finish: /9

Recommended tool for installation

Art. CHSETT19/CHSETT32

according to dimension D



Art.	B	L	L1	M	D	Qty
VITC256	Ø25 mm	6 mm	25 mm	M6	Ø3 mm	1 Pc
VITC258	Ø25 mm	6 mm	30 mm	M8	Ø3 mm	1 Pc
VITC30825	Ø30 mm	6 mm	25 mm	M8	Ø3 mm	1 Pc
VITC30830	Ø30 mm	6 mm	30 mm	M8	Ø3 mm	1 Pc
VITC40825	Ø40 mm	7 mm	25 mm	M10	Ø4 mm	1 Pc
VITC40830	Ø40 mm	7 mm	30 mm	M10	Ø4 mm	1 Pc
VITC50830	Ø50 mm	7 mm	30 mm	M10	Ø4 mm	1 Pc
VITC50835	Ø50 mm	7 mm	35 mm	M10	Ø4 mm	1 Pc

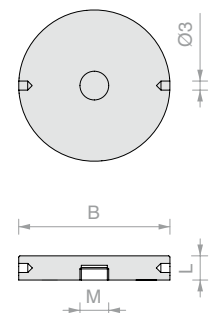
**FLAT HEAD CAP**

Material: AISI 304 stainless steel

Finish: /9

Recommended tool for installation

Art. CHSETT19



Art.	B	L	M	Qty
BORC25	Ø25 mm	6 mm	M6	1 Pc
BORC30	Ø30 mm	6 mm	M8	1 Pc
BORC35	Ø35 mm	7 mm	M10	1 Pc
BORC40	Ø40 mm	7 mm	M10	1 Pc
BORC45	Ø45 mm	8 mm	M10	1 Pc
BORC50	Ø50 mm	8 mm	M10	1 Pc
BORC55	Ø55 mm	8 mm	M10	1 Pc

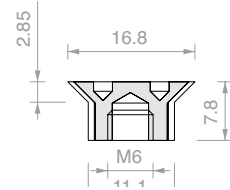
**COUNTERSUNK CONNECTOR 15**

Material: AISI 304 stainless steel,
with PVC gaskets

Finish: /9

Recommended hole size \varnothing 11/12 mm
countersunk 3 mm depth

Recommended tool for installation Art. UT200



Art.	Gasket	Qty
COFIS15B	White	1 Pc
COFIS15N	Black	1 Pc

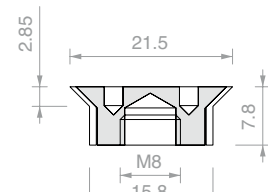
**COUNTERSUNK CONNECTOR 20**

Material: AISI 304 stainless steel,
with PVC gaskets

Finish: /9

Recommended hole size \varnothing 16/17 mm
countersunk 3 mm depth

Recommended tool for installation Art. UT250



Art.	Gasket	Qty
COFIS20B	White	1 Pc
COFIS20N	Black	1 Pc

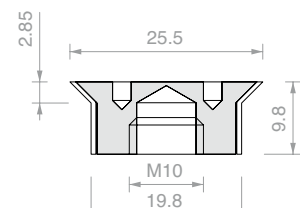
**COUNTERSUNK CONNECTOR 25**

Material: AISI 304 stainless steel,
with PVC gaskets

Finish: /9

Recommended hole size \varnothing 21/22 mm
countersunk 3 mm depth

Recommended tool for installation Art. UT250



Art.	Gasket	Qty
COFIS25B	White	1 Pc
COFIS25N	Black	1 Pc

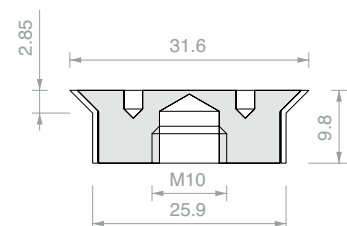
**COUNTERSUNK CONNECTOR 30**

Material: AISI 304 stainless steel,
with PVC gaskets

Finish: /9

Recommended hole size \varnothing 26/27 mm
countersunk 3 mm depth

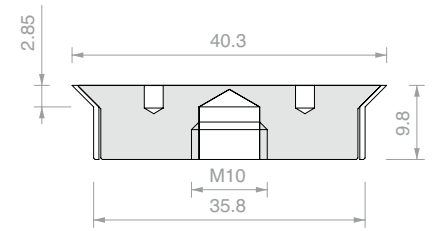
Recommended tool for installation Art. UT250



Art.	Gasket	Qty
COFIS30B	White	1 Pc
COFIS30N	Black	1 Pc

**COUNTERSUNK CONNECTOR 40**

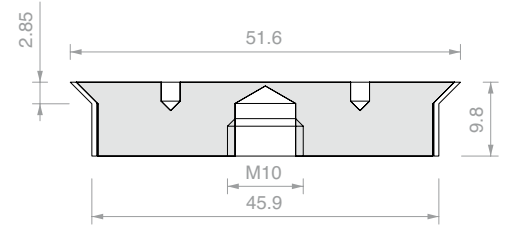
Material: AISI 304 stainless steel,
with PVC gaskets
Finish: /9
Recommended hole size Ø36/37 mm
countersunk 2.5 mm depth
Recommended tool for installation Art. UT250



Art.	Gasket	Qty
COFIS40B	White	1 Pc
COFIS40N	Black	1 Pc

**COUNTERSUNK CONNECTOR 50**

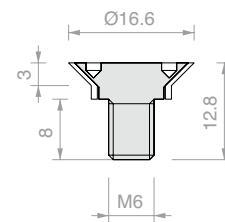
Material: AISI 304 stainless steel,
with PVC gaskets
Finish: /9
Recommended hole size Ø46/47 mm
countersunk 3 mm depth
Recommended tool for installation Art. UT250



Art.	Gasket	Qty
COFIS50B	White	1 Pc
COFIS50N	Black	1 Pc

**COUNTERSUNK SCREW 6**

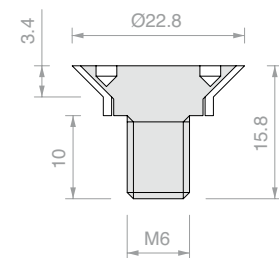
Material: AISI 304 stainless steel,
with PVC gaskets
Finish: /9
Recommended hole size Ø11/12 mm
countersunk 3 mm depth
Recommended tool for installation Art. UT250



Art.	Gasket	For glass	Qty
COFIS6B	White	From 5 to 6 mm	1 Pc
COFIS6N	Black	From 5 to 6 mm	1 Pc

**COUNTERSUNK SCREW 7**

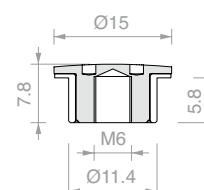
Material: AISI 304 stainless steel,
with PVC gaskets
Finish: /9
Recommended hole size Ø17/18 mm
countersunk 3.5 mm depth
Recommended tool for installation Art. UT250



Art.	Gasket	For glass	Qty
COFIS7B	White	From 6 to 8 mm	1 Pc
COFIS7N	Black	From 6 to 8 mm	1 Pc

**ROUNDED CONNECTOR 15**

Material: AISI 304 stainless steel,
with POM gaskets
Finish: /9
Recommended hole size Ø12 mm
Recommended tool for installation Art. UT200

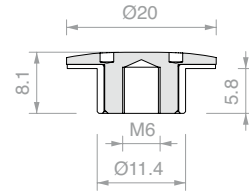


Art.	Gasket	Qty
BCOFIS15B	White	1 Pc



ROUNDED CONNECTOR 20

Material: AISI 304 stainless steel,
with POM gaskets
Finish: /9
Recommended hole size $\varnothing 12$ mm
Recommended tool for installation Art. UT200

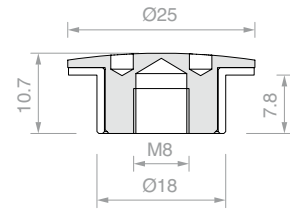


Art.	Gasket	Qty
BCOFIS20B	White	1 Pc



ROUNDED CONNECTOR 25

Material: AISI 304 stainless steel,
with POM gaskets
Finish: /9
Recommended hole size $\varnothing 20$ mm
Recommended tool for installation Art. UT250

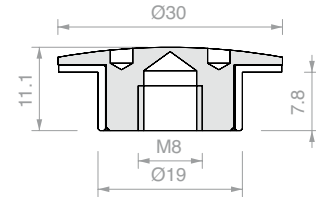


Art.	Gasket	Qty
BCOFIS25B	White	1 Pc



ROUNDED CONNECTOR 30

Material: AISI 304 stainless steel,
with POM gaskets
Finish: /9
Recommended hole size $\varnothing 20$ mm
Recommended tool for installation Art. UT250

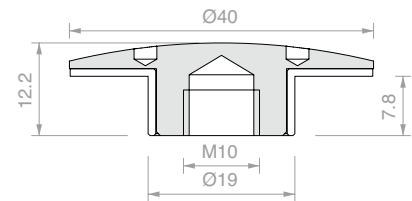


Art.	Gasket	Qty
BCOFIS30B	White	1 Pc



ROUNDED CONNECTOR 40

Material: AISI 304 stainless steel,
with POM gaskets
Finish: /9
Recommended hole size $\varnothing 20$ mm
Recommended tool for installation Art. UT300

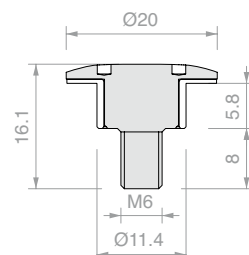


Art.	Gasket	Qty
BCOFIS40B	White	1 Pc



BUTTON HEAD SCREW 20

Material: AISI 304 stainless steel,
with POM gaskets
Finish: /9
Recommended hole size $\varnothing 12$ mm
Recommended tool for installation Art. UT200



Art.	Gasket	For glass	Qty
BCOFIS7B	White	From 6 to 8 mm	1 Pc



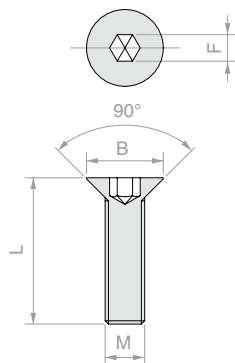
SCREWS WITH COUNTERSUNK HEX HEAD

Material: AISI 304 stainless steel

Finish: /9

Supplied with turned head on request

Supplied in A4 class (AISI 316) on request

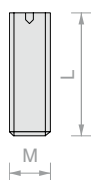


Art.	B	F	L	M	Qty
MVITCE1	Ø7.7 mm	2.55 mm	8 mm	M4	1 Pc
MVITCE2	Ø7.7 mm	2.55 mm	10 mm	M4	1 Pc
MVITCE3	Ø7.7 mm	2.55 mm	12 mm	M4	1 Pc
MVITCE31	Ø7.7 mm	2.55 mm	14 mm	M4	1 Pc
MVITCE4	Ø7.7 mm	2.55 mm	16 mm	M4	1 Pc
MVITCE41	Ø7.7 mm	2.55 mm	18 mm	M4	1 Pc
MVITCE42	Ø7.7 mm	2.55 mm	20 mm	M4	1 Pc
MVITCE43	Ø7.7 mm	2.55 mm	30 mm	M4	1 Pc
MVITCE5	Ø9.9 mm	3.05 mm	10 mm	M5	1 Pc
MVITCE6	Ø9.9 mm	3.05 mm	12 mm	M5	1 Pc
MVITCE61	Ø9.9 mm	3.05 mm	14 mm	M5	1 Pc
MVITCE7	Ø9.9 mm	3.05 mm	16 mm	M5	1 Pc
MVITCE71	Ø9.9 mm	3.05 mm	20 mm	M5	1 Pc
MVITCE81	Ø11.85 mm	4.05 mm	10 mm	M6	1 Pc
MVITCE9	Ø11.85 mm	4.05 mm	12 mm	M6	1 Pc
MVITCE10	Ø11.85 mm	4.05 mm	16 mm	M6	1 Pc
MVITCE11	Ø11.85 mm	4.05 mm	20 mm	M6	1 Pc
MVITCE12	Ø11.85 mm	4.05 mm	25 mm	M6	1 Pc
MVITCE13	Ø11.85 mm	4.05 mm	30 mm	M6	1 Pc
MVITCE14	Ø11.85 mm	4.05 mm	40 mm	M6	1 Pc
MVITCE15	Ø15.85 mm	5.05 mm	10 mm	M8	1 Pc
MVITCE16	Ø15.85 mm	5.05 mm	12 mm	M8	1 Pc
MVITCE17	Ø15.85 mm	5.05 mm	16 mm	M8	1 Pc
MVITCE18	Ø15.85 mm	5.05 mm	20 mm	M8	1 Pc
MVITCE19	Ø15.85 mm	5.05 mm	25 mm	M8	1 Pc
MVITCE20	Ø15.85 mm	5.05 mm	30 mm	M8	1 Pc
MVITCE21	Ø15.85 mm	5.05 mm	40 mm	M8	1 Pc
MVITCE22	Ø15.85 mm	5.05 mm	80 mm	M8	1 Pc
MVITCE23	Ø19.6 mm	6.05 mm	16 mm	M10	1 Pc
MVITCE24	Ø19.6 mm	6.05 mm	20 mm	M10	1 Pc
MVITCE25	Ø19.6 mm	6.05 mm	25 mm	M10	1 Pc
MVITCE26	Ø19.6 mm	6.05 mm	30 mm	M10	1 Pc
MVITCE27	Ø19.6 mm	6.05 mm	40 mm	M10	1 Pc
MVITCE28	Ø19.6 mm	6.05 mm	50 mm	M10	1 Pc
MVITCE29	Ø23.5 mm	8.05 mm	25 mm	M12	1 Pc
MVITCE30	Ø23.5 mm	8.05 mm	30 mm	M12	1 Pc
MVITCE33	Ø23.5 mm	8.05 mm	35 mm	M12	1 Pc
MVITCE32	Ø23.5 mm	8.05 mm	40 mm	M12	1 Pc

HEX HEAD GRUB SCREW

Material: AISI 304 stainless steel

Finish: /9

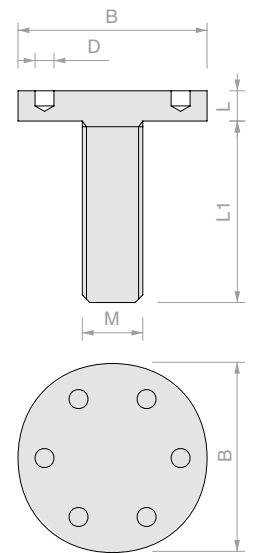


Art.	L	M	Qty
MGRAN7	10 mm	M6	1 Pc
MGRAN5	16 mm	M6	1 Pc
MGRAN55	20 mm	M6	1 Pc
MGRAN41	14 mm	M8	1 Pc
MGRAN4	16 mm	M8	1 Pc
MGRAN47	20 mm	M8	1 Pc
MGRAN46	25 mm	M8	1 Pc
MGRAN451	30 mm	M8	1 Pc
MGRAN45	35 mm	M8	1 Pc
MGRAN44	40 mm	M8	1 Pc
MGRAN43	45 mm	M8	1 Pc
MGRAN42	50 mm	M8	1 Pc
MGRAN3	16 mm	M10	1 Pc
MGRAN22	20 mm	M10	1 Pc
MGRAN2	25 mm	M10	1 Pc
MGRAN15	30 mm	M10	1 Pc
MGRAN1	40 mm	M10	1 Pc
MGRAN11	45 mm	M10	1 Pc
MGRAN12	50 mm	M10	1 Pc



FLAT HEAD SCREW WITH 6 BLIND HOLES

Material: brass
 Finish: /1 /3
 Recommended tool for installation
 Art. UT250/UT300
 according to dimension D

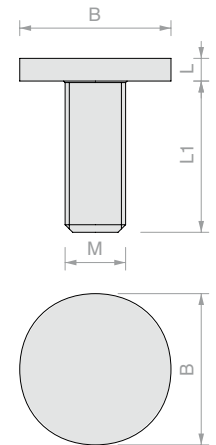


Art.	B	L	L1	M	D	Qty
MVIT061	Ø25 mm	4 mm	24 mm	M8	Ø2.5 mm	1 Pc
MVIT068	Ø40 mm	5 mm	35 mm	M10	Ø3 mm	1 Pc



FLAT HEAD SCREW

Material: brass
 Finish: /1 /3

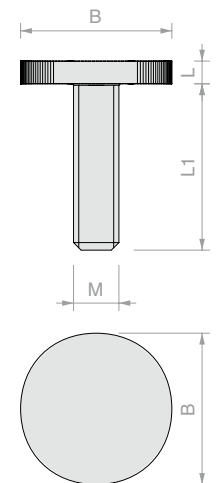


Art.	B	L	L1	M	Qty
MVIT0110	Ø14 mm	4 mm	20 mm	M4	1 Pc
MVIT015	Ø20 mm	3 mm	25 mm	M6	1 Pc
MVIT016	Ø20 mm	3 mm	25 mm	M8	1 Pc
MVIT013	Ø25 mm	5 mm	28 mm	M6	1 Pc
MVIT014	Ø30 mm	3.5 mm	28 mm	M8	1 Pc



KNURLED FLAT HEAD SCREW

Material: brass
 Finish: /1 /3



Art.	B	L	L1	M	Qty
MVIT022	Ø14 mm	2.5 mm	20 mm	M4	1 Pc
MVIT023	Ø20 mm	3 mm	16 mm	M6	1 Pc
MVIT026	Ø20 mm	3 mm	22 mm	M6	1 Pc

**FLAT HEAD SCREW WITH 2 BLIND HOLES**

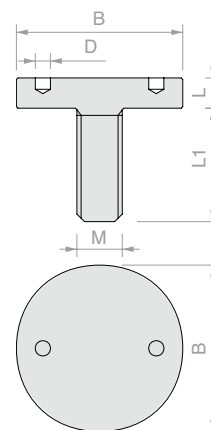
Material: brass

Finish: /1 /3

Recommended tool for installation

Art. UT250/UT300

according to dimension D

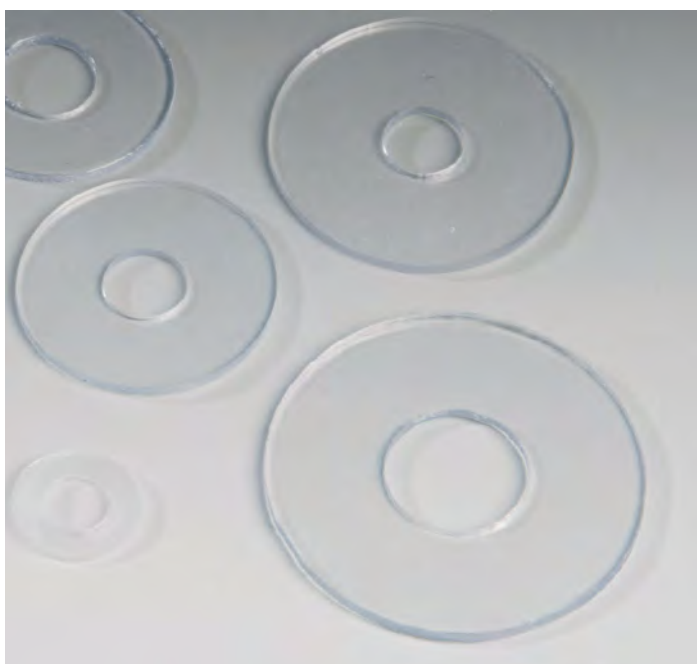
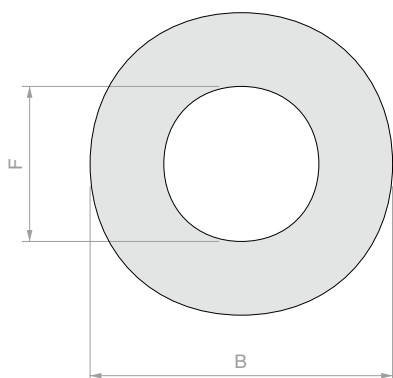


Art.	B	L	L1	M	D	Qty
MVIT0511	Ø22 mm	3 mm	24 mm	M4	Ø2.5 mm	1 Pc
MVIT0512	Ø22 mm	4 mm	24 mm	M6	Ø2.5 mm	1 Pc
MVIT052	Ø22 mm	4 mm	24 mm	M8	Ø2.5 mm	1 Pc
MVIT053	Ø25 mm	4 mm	20 mm	M10	Ø2.5 mm	1 Pc
MVIT055	Ø30 mm	3.5 mm	24 mm	M8	Ø3 mm	1 Pc
MVIT057	Ø35 mm	5 mm	16 mm	M8	Ø2.5 mm	1 Pc

PRECUT PVC WASHERS

Material: PVC, thickness 1 mm

Colour: transparent

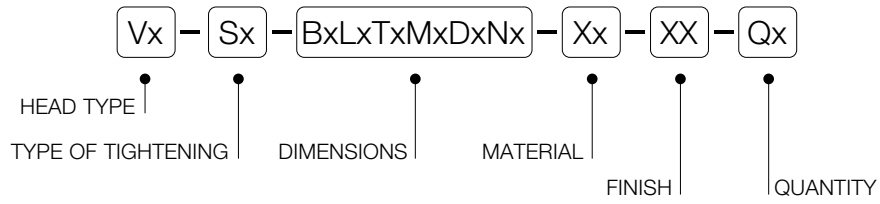


Art.	B	F	Qty
GT01	Ø14 mm	Ø4.5 mm	1 Pc
GT02	Ø16 mm	Ø6.5 mm	1 Pc
GT03	Ø16 mm	Ø8.5 mm	1 Pc
GT035	Ø16 mm	Ø10.5 mm	1 Pc
GT04	Ø18 mm	Ø5.5 mm	1 Pc
GT041	Ø18 mm	Ø6.5 mm	1 Pc
GT042	Ø18 mm	Ø8.5 mm	1 Pc
GT043	Ø18 mm	Ø10.5 mm	1 Pc
GT05	Ø20 mm	Ø6.5 mm	1 Pc
GT06	Ø20 mm	Ø8.5 mm	1 Pc
GT061	Ø20 mm	Ø10.5 mm	1 Pc
GT07	Ø22 mm	Ø8.5 mm	1 Pc
GT08	Ø24 mm	Ø6.5 mm	1 Pc
GT091	Ø25 mm	Ø6.5 mm	1 Pc
GT09	Ø25 mm	Ø8.5 mm	1 Pc
GT10	Ø25 mm	Ø10.5 mm	1 Pc
GT105	Ø25 mm	Ø12.5 mm	1 Pc
GT11	Ø27 mm	Ø10.5 mm	1 Pc
GT12	Ø30 mm	Ø6.5 mm	1 Pc
GT13	Ø30 mm	Ø8.5 mm	1 Pc
GT14	Ø30 mm	Ø10.5 mm	1 Pc
GT145	Ø30 mm	Ø12.5 mm	1 Pc
GT146	Ø30 mm	Ø14.5 mm	1 Pc
GT15	Ø30 mm	Ø16.5 mm	1 Pc
GT16	Ø30 mm	Ø20.5 mm	1 Pc
GT17	Ø35 mm	Ø8.5 mm	1 Pc
GT185	Ø35 mm	Ø10.5 mm	1 Pc
GT18	Ø35 mm	Ø12.5 mm	1 Pc
GT19	Ø40 mm	Ø10.5 mm	1 Pc
GT195	Ø40 mm	Ø14.5 mm	1 Pc
GT20	Ø40 mm	Ø20.5 mm	1 Pc
GT215	Ø45 mm	Ø10.5 mm	1 Pc
GT216	Ø45 mm	Ø18.5 mm	1 Pc
GT217	Ø45 mm	Ø28.5 mm	1 Pc
GT21	Ø50 mm	Ø10.5 mm	1 Pc
GT22	Ø50 mm	Ø15.5 mm	1 Pc
GT23	Ø50 mm	Ø25.5 mm	1 Pc
GT231	Ø55 mm	Ø10.5 mm	1 Pc
GT235	Ø60 mm	Ø12.5 mm	1 Pc
GT24	Ø75 mm	Ø25.5 mm	1 Pc





CUSTOM CODE COMPOSITION



Example:

V4-S4-B14L4T18M6D2.5-OT-CL-Q20

HEAD TYPE	TYPE OF TIGHTENING	DIMENSIONS	MATERIAL	FINISH
		<p>RECOMMENDED VALUES</p> <p>B = from 14 to 30 mm L = from 3 to 6 mm T = up to 40 mm M = M4-M5-M6-M8-M10 D = 2 - 2.5 - 3 mm</p>	<p>OT BRASS</p>	<p>CL POLISHED CHROME</p> <p>NS BRUSHED NICKEL</p> <p>RA RAL CODE</p> <p>-- OTHER</p>
				<p>A2 AISI 304 STEEL</p> <p>A4 AISI 316 STEEL</p>
			<p>AL ALUMINIUM</p>	

NOTES

* Unless otherwise stated, the screws are fully threaded
 Screws with V2 head can only be supplied with S1 tightening



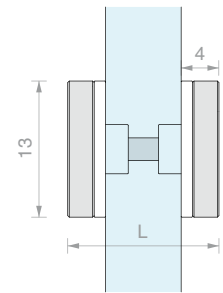
SPACER WITH CAP DCYF

Material: AISI 304 stainless steel

Finish: /9

A central grub screw allows for better tightening

Recommended hole size Ø10 mm



Art.	L	For glass	Qty
DCYF1316	16 mm	8 mm	1 Pc
DCYF1318	18 mm	10 mm	1 Pc



SPACER FOR NAMEPLATES

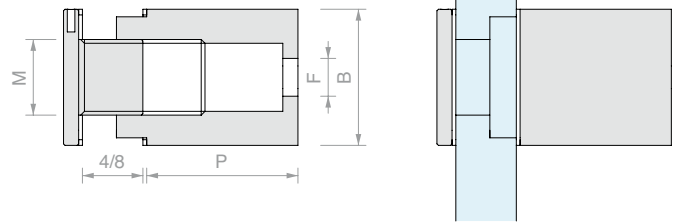
Material: AISI 304 stainless steel

Finish: /9

Recommended tool for installation

Art. DCYTV13 for Ø13 mm head/

Art. DCYTV18 for Ø18 mm head



Art.	P	B	F	M	Glass hole	Qty
DCY101010	10 mm	Ø10 mm	Ø3 mm	M6	Ø8 mm	1 Pc
DCY101015	15 mm	Ø10 mm	Ø3 mm	M6	Ø8 mm	1 Pc
DCY101310	10 mm	Ø13 mm	Ø5 mm	M8	Ø10 mm	1 Pc
DCY101315	15 mm	Ø13 mm	Ø5 mm	M8	Ø10 mm	1 Pc
DCY101815	15 mm	Ø18 mm	Ø5 mm	M10	Ø13 mm	1 Pc
DCY101820	20 mm	Ø18 mm	Ø5 mm	M10	Ø13 mm	1 Pc



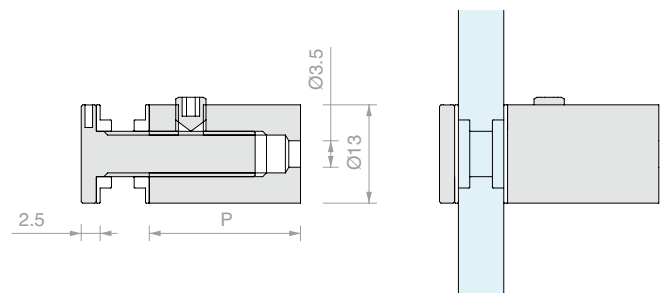
SPACER FOR NAMEPLATES WITH GRUB SCREW

Material: AISI 304 stainless steel

Finish: /9

Recommended hole size Ø10 mm

Recommended tool for installation Art. DCYTV13



Art.	P	For glass	Qty
DCYM615	15 mm	From 4 to 9 mm	1 Pc
DCYM620	20 mm	From 4 to 12 mm	1 Pc

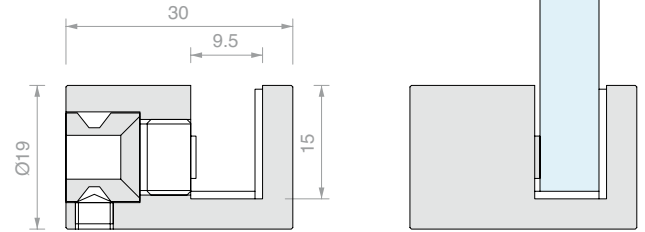


4 SPACERS FOR NAMEPLATES WITH GRUB SCREW

Material: AISI 304 stainless steel

Finish: /8 /15

Note: with fastening screws and gaskets



Art.	For glass	Qty
MPB1930	From 6 to 8 mm	1 Pc

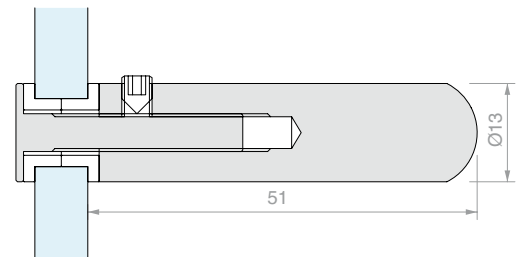


SUPPORT FOR NAMEPLATES

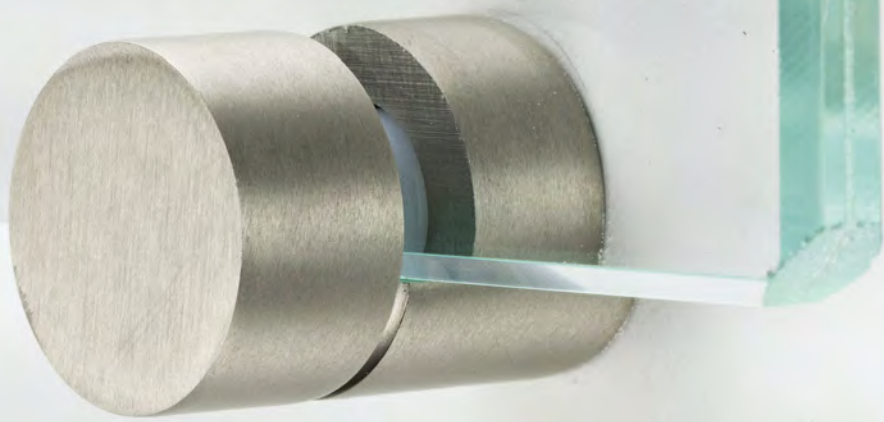
Material: AISI 304 stainless steel

Finish: /9

Recommended hole size Ø10 mm



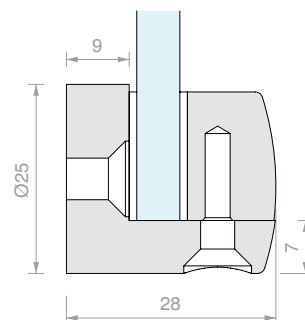
Art.	For glass	Qty
DCST13	From 8 to 16 mm	1 Pc



**SPACER FOR NAMEPLATES MPB110**

Material: brass

Finish: /1 /2 /24

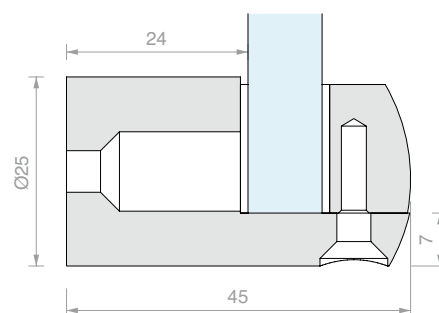


Art.	For glass	Qty
MPB110	6 mm	1 Pc

**SPACER FOR NAMEPLATES MPB111**

Material: brass

Finish: /1 /2 /24

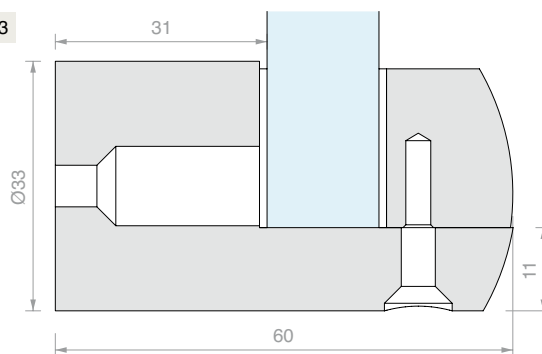


Art.	For glass	Qty
MPB111	10 mm	1 Pc

**SPACER FOR NAMEPLATES MPB121**

Material: brass

Finish: /1 /2 /3

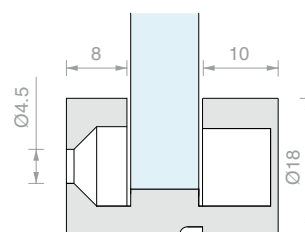


Art.	For glass	Qty
MPB121	12 mm	1 Pc

**SPACER FOR NAMEPLATES PATA**

Material: brass

Finish: /1 /2 /3



Art.	For glass	Qty
PATA46	From 4 to 6 mm	1 Pc
PATA810	From 8 to 10 mm	1 Pc

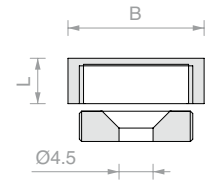


SCREW CAP DCYB

Material: AISI 304 stainless steel

Finish: /9

Made with left-hand thread to avoid accidental loosening



Art.	B	L	Qty
DCYB13	Ø13 mm	5 mm	1 Pc
DCYB18	Ø18 mm	6 mm	1 Pc

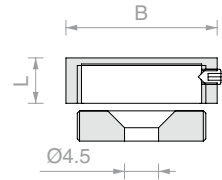


SCREW CAP WITH GRUB SCREW DCYB

Material: AISI 304 stainless steel

Finish: /9

Made with left-hand thread to avoid accidental loosening



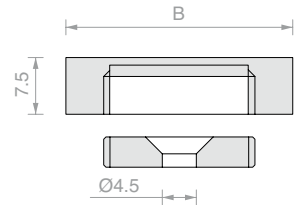
Art.	B	L	Qty
DCYB15	Ø15 mm	5 mm	1 Pc
DCYB20	Ø20 mm	6 mm	1 Pc



SCREW CAP MBOR

Material: brass

Finish: /1 /2 /3



Art.	B	Qty
MBOR004	Ø15 mm	1 Pc
MBOR003	Ø20 mm	1 Pc
MBOR001	Ø30 mm	1 Pc
MBOR002	Ø50 mm	1 Pc



SCREW CAP BOR

Material: brass

Finish: /95

Art.	Dimensions	Package	Qty
BOR01	Ø14 mm	100 Pc	1 Pc
BOR02	Ø20 mm	100 Pc	1 Pc



CAP WITH SCREW

Material: brass

Finish: /95

Art.	Dimensions	Package	Qty
BOR03	Ø20 mm	100 Pc	1 Pc



PIN WRENCH FOR Ø4 mm BLIND HOLES

Material: iron body, steel pins

The compass opening allows to operate with wide radiuses, for pair of holes with a centre distance between 7 mm and 55 mm

Art.	Description	Qty
UT400	Pin wrench with Ø3.9 mm pins	1 Pc



PIN WRENCH FOR Ø3/Ø2.5/Ø2 mm BLIND HOLES

Material: iron body, steel pins

The compass opening allows to operate with wide radiuses, for pair of holes with a centre distance between 9 mm and 55 mm

Art.	Description	Qty
UT300	Pin wrench with Ø2.9 mm pins	1 Pc
UTC300R	N.2 spare pins Ø2.9 mm	1 Pc
UT250	Pin wrench with Ø2.4 mm pins	1 Pc
UTC250R	N.2 spare pins Ø2.4 mm	1 Pc
UT200	Pin wrench with Ø1.9 mm pins	1 Pc
UTC200R	N.2 spare pins Ø1.9 mm	1 Pc



HOOK WRENCH

Material: steel

Properties: tool required for tightening all metal parts with holes around their axis.

Interchangeable pins

Art.	Extension	Pin	For blind hole	Qty
CHSETT19	Ø19/50 mm	Ø2.8 mm	Ø3 mm	1 Pc
CHSETT32	Ø32/75 mm	Ø3.8 mm	Ø4 mm	1 Pc



ACCESSORY FOR TIGHTENING SPACERS WITH FLAT HEAD AND 2 MM HOLE

Material: AISI 304 stainless steel

Finish: /9



Art.	For DCY and DCYM spacers	Qty
DCYTV13	Ø13 mm	1 Pc
DCYTV18	Ø18 mm	1 Pc



ANALYTICAL
INDEX
VOLUME 5





Art.	Page	Art.	Page	Art.	Page	Art.	Page	Art.	Page
053.3071.300	35	BCOFIS15B	193	CE305PG10	55	CERLM56	87	CON2052B	171
053.3072.200	35	BCOFIS20B	194	CEA42DX	92	CERS401	64	CON2072B	171
053.3072.300	35	BCOFIS25B	194	CEA42SX	92	CERS403	65	CON2102B	171
053.3072.600	35	BCOFIS30B	194	CEACC40D	93	CERS405	65	CON3075B	170
053.3075.300	36	BCOFIS40B	194	CEACC40S	93	CERS407	65	CON4104B	171
053.3324.200	34	BCOFIS7B	194	CEACC50D	93	CERUV1	86	CON7052MB	173
053.3324.300	34	BOR01	205	CEACC50S	93	CERUV25	84	CON7052TB	173
053.3324.600	34	BOR02	205	CEALL35D	95	CERUV25LG	83	CON7052VB	173
053.3326.200	34	BOR03	205	CEALL35S	95	CERUV35	83	CON7082MB	173
053.3326.300	34	BORC25	191	CELEGA35D	95	CERUV35LG	83	CON7082TB	173
053.3326.600	34	BORC30	191	CELEGA35S	95	CERUV390	94	CON7082VB	173
053.3338.200	35	BORC35	191	CER100	68	CERUV40	82	CON7103MB	173
053.3338.300	35	BORC40	191	CER100SQ	69	CERUV40LG	82	CON7103TB	173
053.3338.600	35	BORC45	191	CER1024	62	CERUV55DX	85	CON7103VB	173
053.3342.200	34	BORC50	191	CER1025	62	CERUV55SX	85	CON712B	172
053.3342.300	34	BORC55	191	CER1027	63	CERUVQ	90	CRECLK1	135
053.3342.600	34	BORKIA0	190	CER1028	63	CERUVS100	91	CRECLK3	135
053.3361.071	36	BORKIA1	190	CER1092	63	CERUVTON	90	CRECPK1	135
053.3361.072	36	BORKIA2	190	CER1173	57	CHLUV20	96	CRECPK3	135
057.3159.071	37	BORKIA3	190	CER1174	67	CHSETT19	205	CREMDMA1	136
057.3159.072	37	BORKIA33	190	CER200	62	CHSETT32	205	CREMDMA2	136
057.3159.073	37	BORKIA4	190	CER217	62	COFIS15B	192	CREMDMA3	136
ANG001	77	BORKIA40	190	CER2660	61	COFIS15N	192	CREPK11	135
ANG002	77	BORKIA5	190	CER305B	69	COFIS20A	184	CREPK13	135
ANG003	77	BORKIA6	190	CER305PA6	55	COFIS20B	192	CREPK71	135
ANG004	77	BORKIA66	190	CER305PB	56	COFIS20N	192	CREPK73	135
ANG216	51	BORKIA7	190	CER336	60	COFIS25B	192	CRESVCE2	136
ANG220	51	CAL001	75	CER336L	60	COFIS25N	192	CRESVDX1	136
ANG316	51	CAL002	75	CER50	68	COFIS30A	184	CRESVSX3	136
ANG320	51	CAL003	75	CER50SQ	68	COFIS30B	192	CREVEN1	136
ATT3V	178	CAL004	75	CER560	57	COFIS30N	192	CRIEASY13	163
ATT3VCF5	178	CAL009	101	CER630	67	COFIS40B	193	CRIEASY17	163
ATT90	179	CAL010	101	CER650	67	COFIS40N	193	CRIEASY21	163
ATT90CF5	179	CAL17	102	CER670	67	COFIS50B	193	CSFE20	104
ATTANG	179	CAL18	102	CER751	70	COFIS50N	193	CSFE30	104
ATTANGCF5	179	CAL23	101	CER755	69	COFIS6B	193	CUB001	76
ATTLIN	179	CAL27	101	CERBA2	89	COFIS6N	193	CUB002	76
ATTLINCF5	179	CALUV25	102	CERBIL55DX	54	COFIS7B	193	CUB003	76
B273000	44	CALUV50	102	CERBIL55SX	54	COFIS7N	193	CUB004	76
BA25030	164	CC000	104	CERBIL80DX	53	CON1052B	171	CUB005	76
BA30045	164	CC001	104	CERBIL80SX	53	CON1072B	171	CUB006	76
BAT30030	164	CC002	104	CERBUS	56	CON1102B	171	CUB007	76



Art.	Page	Art.	Page	Art.	Page	Art.	Page	Art.	Page
CUSC006	45	DISC008	106	DOM90	177	GT04	197	JOFAG	175
CUSC007	45	DISC009	106	DOM90CF2	177	GT041	197	LED24035IP	123
CVM01	105	DISC036	106	DOM90CF3	177	GT042	197	LED24060IP	123
CVM03	105	DISC151	106	DOMANG	177	GT043	197	LED24100IP	123
CVM05	105	DISC152	106	DOMANGCF2	177	GT05	197	LED24150IP	123
DCST13	201	DISC153	106	DOMANGCF3	177	GT06	197	LEDST001	122
DCY101010	200	DIST001	189	DOMLIN	177	GT061	197	LEDST002	122
DCY101015	200	DIST002	189	DOMLINCF2	177	GT07	197	LEDST008	122
DCY101310	200	DIST003	189	DOMLINCF3	177	GT08	197	LM17019TP10	37
DCY101315	200	DIST004	189	FA7035	154	GT09	197	LM48035TP10	37
DCY101815	200	DIST005	189	FXGAB02	86	GT091	197	LMGAB01	87
DCY101820	200	DIST007	188	FXGAB03	90	GT10	197	LMGF15	37
DCYB13	204	DISTB30	186	FXGAB04	92	GT105	197	M4335Z	161
DCYB15	204	DISTC2004	187	FXGAB05	94	GT11	197	M4345Z	161
DCYB18	204	DISTC2010	187	FXGAB06	95	GT12	197	M4353Z	161
DCYB20	204	DISTCOFIS1	190	FXGAB07	85	GT13	197	MA08110	157
DCYF1316	202	DISTCOFIS10	190	FXGAB08	84	GT14	197	MA08210	157
DCYF1318	202	DISTCOFIS2	190	FXGAB09	97	GT145	197	MA084	157
DCYM615	202	DISTCOFIS3	190	FXGAB10	100	GT146	197	MA089	157
DCYM620	202	DISTCOFIS4	190	FXGAB11	105	GT15	197	MA091	154
DCYTV13	205	DISTCOFIS4025	190	FXGAB12	105	GT16	197	MA092	154
DCYTV18	205	DISTCOFIS4040	190	FXGAB13	105	GT17	197	MA101	154
DH1510	187	DISTCOFIS5	190	FXGAB14	83	GT18	197	MA102	154
DH1515	187	DISTCOFIS5025	190	G933000	44	GT185	197	MA12	143
DH1520	187	DISTCOFIS5040	190	G953000	44	GT19	197	MA14	143
DH1810	187	DISTCOFIS6	190	GAMB127	108	GT195	197	MA1540	142
DH1815	187	DISTCOFIS7	190	GAMB130	108	GT20	197	MA1555	142
DH1820	187	DISTCOFIS76	190	GAMB60A	108	GT21	197	MA17	143
DH2215	187	DISTCOFIS78	190	GAMB60B	108	GT215	197	MA1945	142
DH2220	187	DISTCOFIS8	190	GIUNTOA06	165	GT216	197	MA1960	142
DH2225	187	DISTCOFIS86	190	GIUNTOA08	165	GT217	197	MA21	143
DH2515	187	DISTCOFIS88	190	GIUNTOA10	165	GT22	197	MA401	141
DH2520	187	DISTCOFIS9	190	GIUNTOT06	165	GT23	197	MANS501	66
DH2525	187	DISTCOFIS925	190	GIUNTOT08	165	GT231	197	MAUVQ40	99
DISC001	106	DISTCOFIS940	190	GIUNTOT10	165	GT235	197	MAUVT40	99
DISC002	106	DISTQA35	186	GIUNTOX06	165	GT24	197	MBLOK180L	141
DISC003	106	DISTQA50	186	GIUNTOX08	165	IG500	174	MBLOK90L	141
DISC004	106	DISTV2004	188	GIUNTOX10	165	IG500TP	174	MBOR001	204
DISC005	106	DISTV2010	188	GT01	197	IG650	175	MBOR002	204
DISC0055	106	DOM3V	176	GT02	197	IG650TP	175	MBOR003	204
DISC006	106	DOM3VCF2	176	GT03	197	IG850	175	MBOR004	204
DISC007	106	DOM3VCF3	176	GT035	197	IG850TP	175	MD192	189



Art.	Page	Art.	Page	Art.	Page	Art.	Page	Art.	Page
MD193	189	MR186	80	MT061	158	MVITCE16	195	NMS003	116
MD2025	189	MR188	80	MT071	158	MVITCE17	195	NMS004	117
MD230	189	MREC003DX	146	MT2050	164	MVITCE18	195	NMS005	117
MD3030	188	MREC003SX	146	MTET216	76	MVITCE19	195	NMS006	115
MD3540A	187	MREC004DX	147	MTET21615	76	MVITCE2	195	NMS007	116
MD4035	188	MREC004SX	147	MTET316	76	MVITCE20	195	NMS008	116
MDMAC52	188	MREC005DX	150	MTET31615	76	MVITCE21	195	NMS14	113
MDSCA38	184	MREC005SX	150	MU30095	155	MVITCE22	195	NMS15	113
MFV1012	153	MREC006DX	151	MU301012	155	MVITCE23	195	NMS16	115
MFV68	153	MREC006SX	151	MU30135	155	MVITCE24	195	NMS35	113
MFV810	153	MRET001	145	MU3068	155	MVITCE25	195	NMS40	114
MGRAN1	106	MRET002	145	MU30810	155	MVITCE26	195	NMS45	114
MGRAN11	106	MRET0023	145	MU451012	155	MVITCE27	195	NMS50	114
MGRAN12	106	MRET0027	146	MU4568	155	MVITCE28	195	NMS75	115
MGRAN15	106	MRET003	145	MU45810	155	MVITCE29	195	NRM104	126
MGRAN2	106	MRET004	146	MU5030	164	MVITCE3	195	NRM1222	126
MGRAN22	106	MRET005	150	MVAC3041	191	MVITCE30	195	NRM131	127
MGRAN3	106	MRET006	150	MVAC3044	191	MVITCE31	195	NRM1424	132
MGRAN4	106	MRET007	151	MVAC3048	191	MVITCE32	195	NRM1425	131
MGRAN41	106	MRET009DX	149	MVIT0110	196	MVITCE33	195	NRM1433	127
MGRAN42	106	MRET009SX	149	MVIT013	196	MVITCE4	195	NRM1550	129
MGRAN43	106	MRET010DX	148	MVIT014	196	MVITCE41	195	NRM18200	126
MGRAN44	106	MRET010SX	148	MVIT015	196	MVITCE42	195	NRM18300	125
MGRAN45	106	MRET011DX	149	MVIT016	196	MVITCE43	195	NRM1840	133
MGRAN451	106	MRET011SX	149	MVIT022	196	MVITCE5	195	NRM18600	128
MGRAN46	106	MRV16	79	MVIT023	196	MVITCE6	195	NRM2002	130
MGRAN47	106	MRV25E	79	MVIT026	196	MVITCE61	195	NRM222	125
MGRAN5	106	MS1207.006	164	MVIT0511	197	MVITCE7	195	NRM24	132
MGRAN55	106	MS1207.008	164	MVIT0512	197	MVITCE71	195	NRM26	133
MGRAN7	106	MS1207.010	164	MVIT052	197	MVITCE81	195	NRM29	131
MINIHINGE10	58	MS1207.012	164	MVIT053	197	MVITCE9	195	NRM3000	124
MINIHINGE100	59	MS1207.087	164	MVIT055	197	NMF2208	155	NRM3040	131
MINIHINGE20	59	MS1207.107	164	MVIT057	197	NMF2210	155	NRM3050	130
MINIHINGE90	58	MS1207.127	164	MVIT061	196	NMF2212	155	NRM3060	130
MNUV10057	99	MT001	157	MVIT068	196	NMF3008	155	NRM3200	125
MNUV12062	99	MT016	157	MVITCE1	195	NMF3010	155	NRM4000	124
MPB110	203	MT021	158	MVITCE10	195	NMF3012	155	NRM540	131
MPB111	203	MT031	158	MVITCE11	195	NMF4508	155	NRM60	130
MPB121	203	MT041	158	MVITCE12	195	NMF4510	155	NRM740	127
MPB1930	201	MT04122	158	MVITCE13	195	NMF4512	155	NRM8010	132
MR181	80	MT050	158	MVITCE14	195	NMS001	117	NRM9035	129
MR185	79	MT051	158	MVITCE15	195	NMS002	116	NRM9050	132



Art.	Page	Art.	Page	Art.	Page	Art.	Page	Art.	Page
NRM9100	129	REGTP10AP	120	SEREGG15U	85	SVV5	50	W.606.360.500	26
NRMKA111	128	REGTP10VIT	120	SERF1	72	SVV72	50	W.606.400	24
NRMKA125	128	REGTP12	120	SERF2	72	UT200	205	W.606.420	26
PAR001	104	REGTP12AP	120	SERF3	71	UT250	205	W.606.450	25
PAR002	104	REGTP12VIT	120	SERKYR30	47	UT300	205	W.606.600	25
PAR003	104	REGUV44	103	SERKYR31	46	UT400	205	W.606.620D	25
PAR004	104	RUOT100005	107	SERLT12	70	UTC200R	205	W.606.620U	25
PATA46	203	RUOT114010	107	SERMAX20D	56	UTC250R	205	W.606.640	25
PATA810	203	RUOT115011	107	SERMAX20U	56	UTC300R	205	W.606.640	30
PB174	186	RUOT125018	108	SERMAXD	55	VETDISC20	100	W.610.020.250	29
PF134	186	RUOTA70A	107	SERMAXU	55	VETDISC30	100	W.610.020.500	29
PIEDACC20	108	RUOTA70C	107	SERS401	66	VITC256	191	W.610.040.250	29
PIEDUV25	108	SEA46	96	SERS403	66	VITC258	191	W.610.040.500	29
PIEDUV32	108	SER001D	70	SERUV100U	97	VITC30825	191	W.610.050	29
PIEDUV35	108	SER001U	70	SERUV150U	97	VITC30830	191	W.610.070	29
PIEDUV50	108	SER004U	46	SERUV40LGU	82	VITC40825	191	W.610.090.250	29
POMUV16	100	SER006	47	SERUV40U	82	VITC40830	191	W.610.090.500	29
POMUV9	100	SER007	47	SERUV41U	96	VITC50830	191	W.610.320	30
PV053000	44	SER011D	70	SERUVS03	98	VITC50835	191	W.610.370.250	31
REG001N	78	SER011U	70	SERUVS05	98	W.605.020.250	24	W.610.370.500	31
REG001T	78	SER012U	72	SERUVS07	98	W.605.020.500	24	W.610.400	30
REG002N	78	SER013D	71	SFE001T	105	W.605.040.250	24	W.610.420	31
REG002T	78	SER013U	71	SFE002T	105	W.605.040.500	24	W.610.450	30
REG003N	78	SER015U	73	SFE003T	105	W.605.050	24	W.610.600	30
REG003T	78	SER016	73	SFE004T	105	W.605.071	24	W.610.620D	30
REG116	51	SER020D	56	SFE005T	105	W.605.090.250	24	W.610.620U	30
REG120	51	SER020U	56	SOFTUV18	103	W.605.090.500	24		
REG150	51	SER021	57	SPC415	180	W.606.100.250	28		
REG520	81	SER022U	71	SPC419	180	W.606.100.500	28		
REG540	81	SER024D	74	SPC420	180	W.606.110.250	28		
REGA15	103	SER024U	74	SPC501	181	W.606.110.500	28		
REGA20	103	SER23DX	46	SPC503	181	W.606.120.250	28		
REGASTA200	124	SER23SX	46	SPC507	181	W.606.120.500	28		
REGDUO	81	SER690D	71	SPC509	181	W.606.220.250	27		
REGECC20	103	SER690U	71	SUPGR01	183	W.606.220.500	27		
REGTER08	119	SER71G1D	74	SUPGR03	184	W.606.290.250	27		
REGTER10	119	SER71G1U	74	SVL14	49	W.606.290.500	27		
REGTER12	119	SER76G4D	74	SVL2	49	W.606.310	25		
REGTP08	120	SER76G4U	74	SVL7	50	W.606.320	25		
REGTP08AP	120	SER810	73	SVL70	50	W.606.350.250	26		
REGTP08VIT	120	SEREGG10U	84	SVV1	49	W.606.350.500	26		
REGTP10	120	SEREGG13U	84	SVV16	49	W.606.360.250	26		

FINISHES



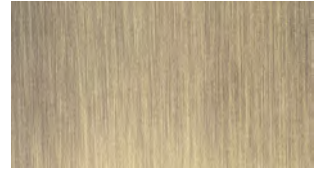
/1
Chrome



/2
Gold



/3
Brushed nickel



/4
Bronze



/5
White



/6
Matt black



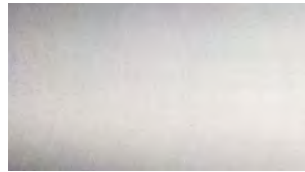
/7
Matt chrome



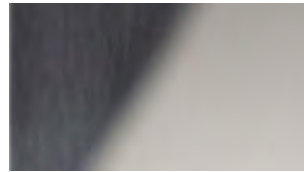
/8
Brushed steel



/9
Machining steel (CNC)



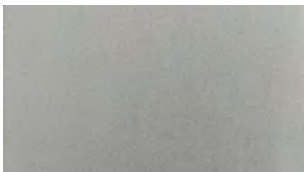
/10
Raw aluminium



/15
Polished steel



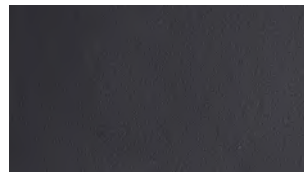
/24
Brushed steel effect



/45
Matt aluminium effect



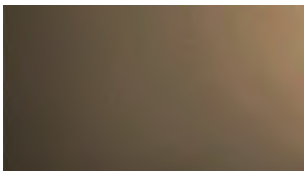
/56
Grey



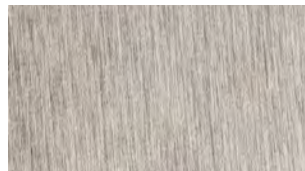
/65
Matt black



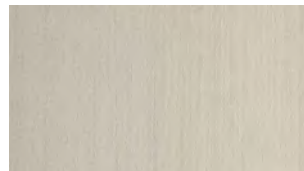
/66
Champagne aluminium



/67
Dark brushed bronze aluminium



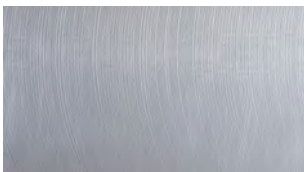
/83
PVD brushed steel



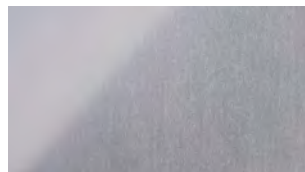
/88
Brushed steel effect aluminium



/89
Galvanised iron



/90
Machining aluminium



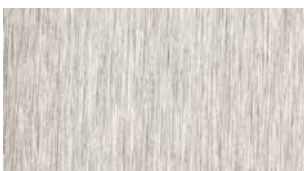
/91
Polished aluminium



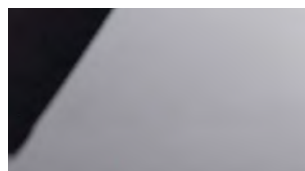
/92
Matt nickel



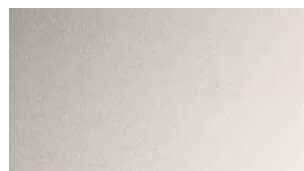
/93
Brass coated



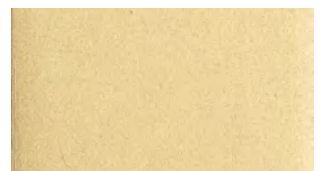
/94
Brushed chrome



/95
Nickel-coated



/97
Matt aluminium



/99
Brushed gold



/R2
RAL9005 matt black



/R6
RAL9016 matt traffic white



/R13
RAL7016 matt anthracite grey



/RAL
RAL9010 polished white